



US00D920575S

(12) **United States Design Patent**
Kan

(10) **Patent No.:** **US D920,575 S**

(45) **Date of Patent:** **** May 25, 2021**

(54) **HAIR DRYER**

(71) Applicant: **LUMIELINA INTERNATIONAL INC., Tokyo (JP)**

(72) Inventor: **Satoshi Kan, Tokyo (JP)**

(73) Assignee: **LUMIELINA INTERNATIONAL INC., Tokyo (JP)**

(**) Term: **15 Years**

(21) Appl. No.: **29/678,104**

(22) Filed: **Jan. 25, 2019**

(30) **Foreign Application Priority Data**

Jul. 27, 2018 (JP) 2018-016497

(51) **LOC (13) Cl.** **28-03**

(52) **U.S. Cl.**
USPC **D28/18**

(58) **Field of Classification Search**
USPC D28/10, 11, 12, 13, 14, 15, 16, 17, 18,
D28/19, 20, 39, 41, 42, 73, 76, 77, 78,
D28/79, 81, 82, 83, 84, 91, 91.2, 92, 93
CPC A45D 20/00; A45D 20/04; A45D 20/06;
A45D 20/08; A45D 20/10; A45D 20/12;
A45D 20/122; A45D 20/124; A45D
20/18; A45D 20/48; A45D 20/52
See application file for complete search history.

(56) **References Cited**

U.S. PATENT DOCUMENTS

3,612,824 A * 10/1971 Berryman F24H 3/0423
392/383
D239,885 S * 5/1976 Leung D28/13
5,621,980 A * 4/1997 Kingsbury A45D 20/122
132/114
D461,383 S * 8/2002 Blackburn D8/29.1
6,983,550 B1 * 1/2006 Lin F23D 14/18
34/96

D715,484 S * 10/2014 Kang A45D 20/12
D28/13
D775,417 S * 12/2016 Cho D28/13
D832,509 S * 10/2018 Kan D28/18
D865,284 S * 10/2019 Janowick D28/13
D877,979 S * 3/2020 Huang D28/13
2015/0366316 A1* 12/2015 Soresina A45D 20/12
34/97
2016/0166036 A1* 6/2016 Li A45D 20/12
34/97

(Continued)

OTHER PUBLICATIONS

Bioprogramming REPRONIZER 4D Plus, announced Dec. 30, 2019 [online], retrieved Apr. 24, 2020, retrieved from internet, <https://www.amazon.com/LUMIELINA-Bioprogramming-REPRONIZER-4D-Plus/dp/B07V25QXHB>.*

(Continued)

Primary Examiner — Dana K Weiland
Assistant Examiner — Messina L Smith
(74) *Attorney, Agent, or Firm* — Cantor Colburn LLP

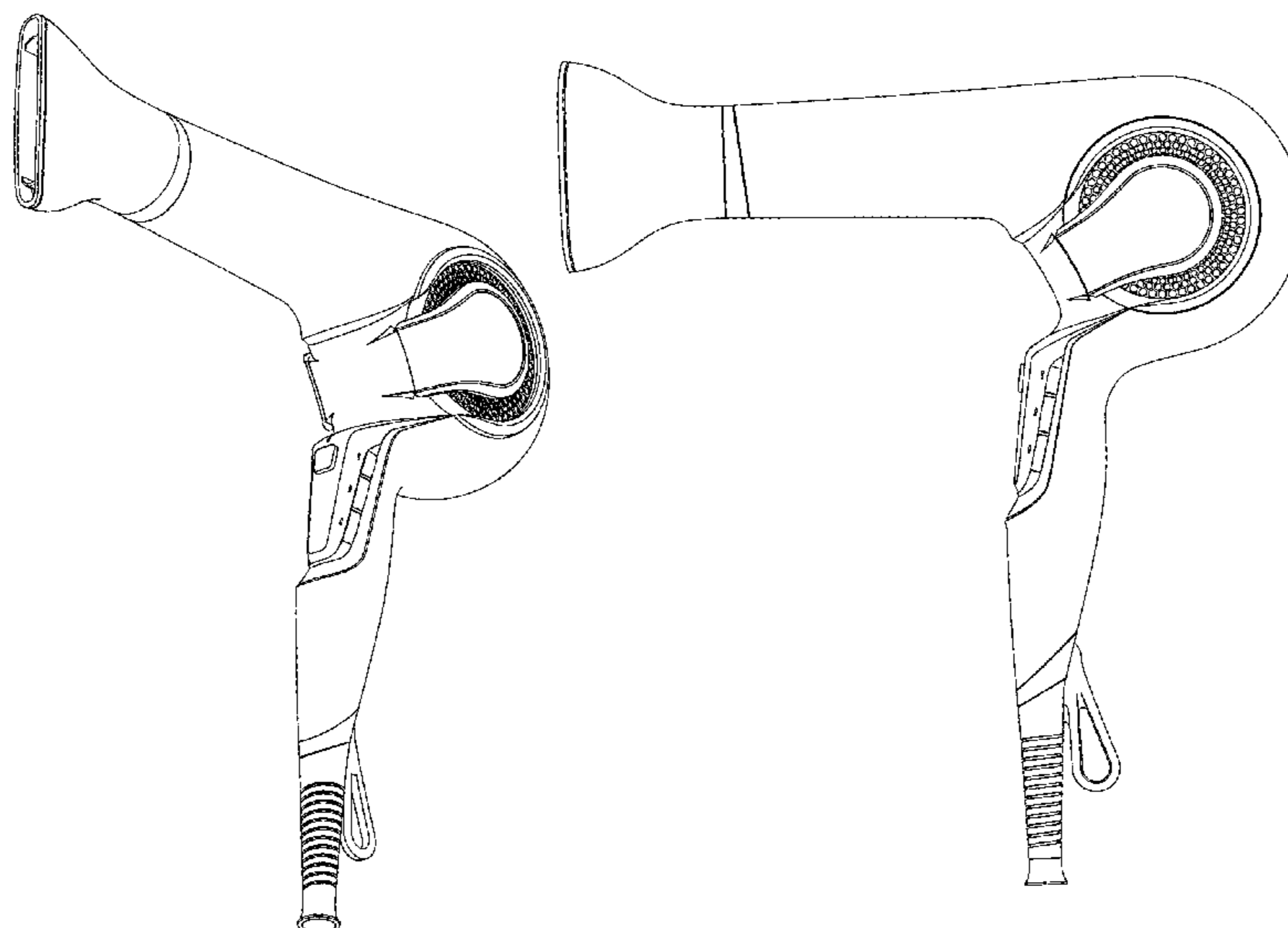
(57) **CLAIM**

The ornamental design for a hair dryer, as shown and described.

DESCRIPTION

FIG. 1 is a perspective view of a hair dryer showing my new design;
FIG. 2 is a front view of FIG. 1;
FIG. 3 is a rear view of FIG. 1;
FIG. 4 is a right side view of FIG. 1;
FIG. 5 is a left side view of FIG. 1;
FIG. 6 is a top plan view of FIG. 1; and,
FIG. 7 is a bottom view of FIG. 1.
The broken lines in the drawings are for the purpose of illustrating portions of the hair dryer that form no part of the claimed design.

1 Claim, 7 Drawing Sheets



(56)

References Cited

U.S. PATENT DOCUMENTS

2018/0125195 A1* 5/2018 Soresina H02K 11/33

OTHER PUBLICATIONS

REPRONIZER, announced Sep. 17, 2019 [online], retrieved Apr. 24, 2020, retrieved from internet, <https://www.youtube.com/watch?v=h-FEz83vlos>.*

Vernal Equinox Dayi, announced Mar. 22, 2019 [online], retrieved Apr. 24, 2020, retrieved from internet, <https://sonokotchiworld.com/2019/03/22/vernal-equinox-dayi/>.*

* cited by examiner

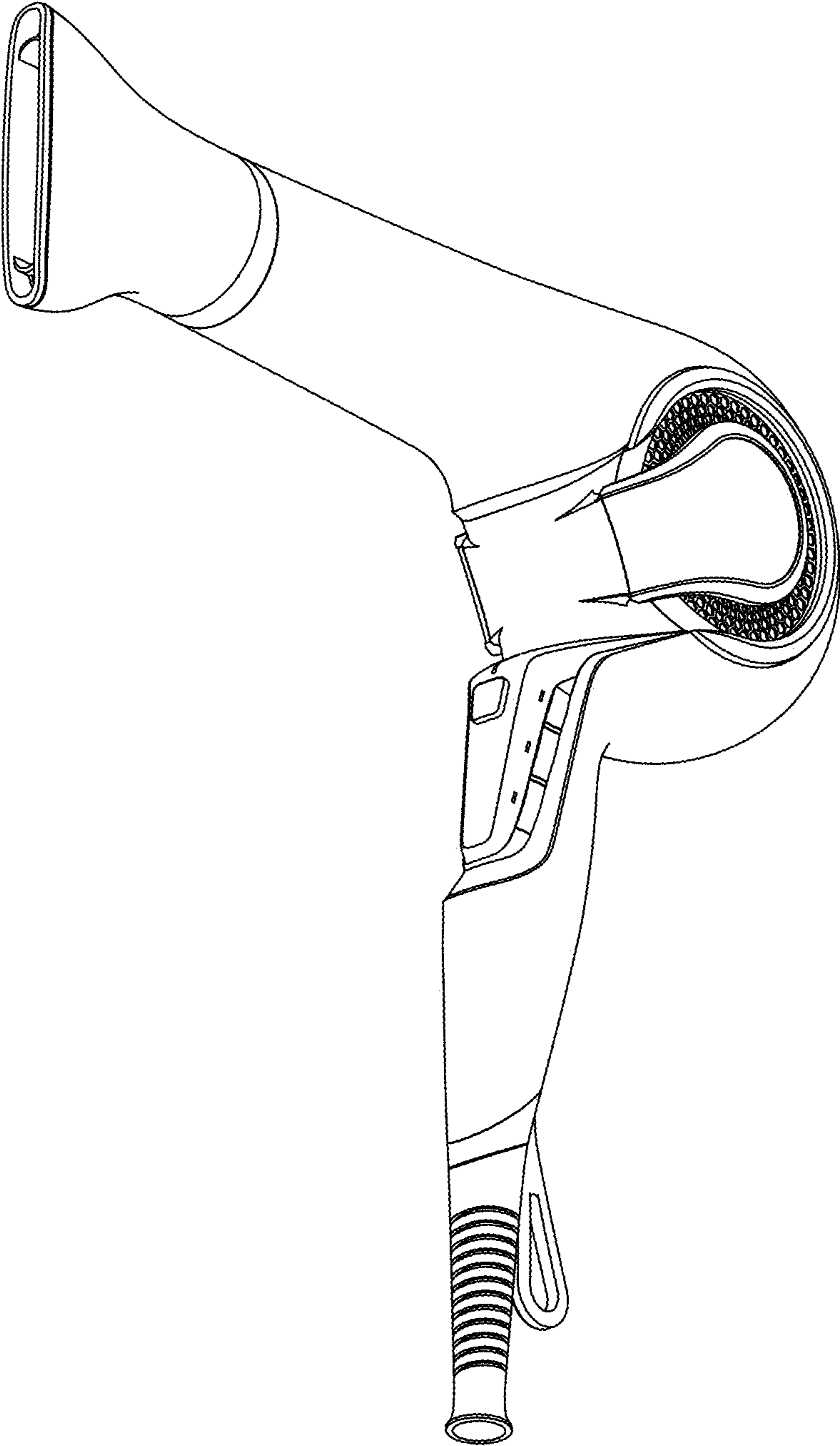


FIG. 1

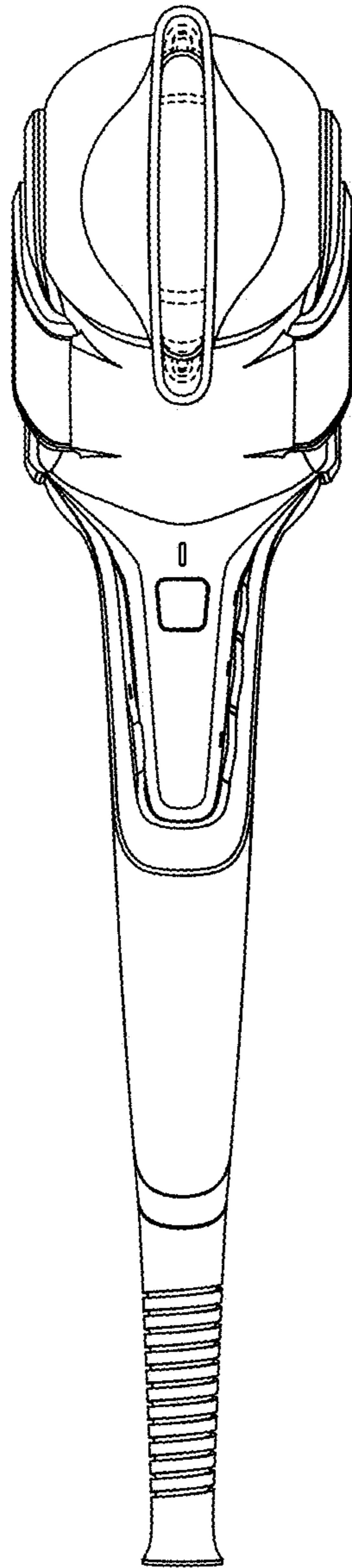


FIG. 2

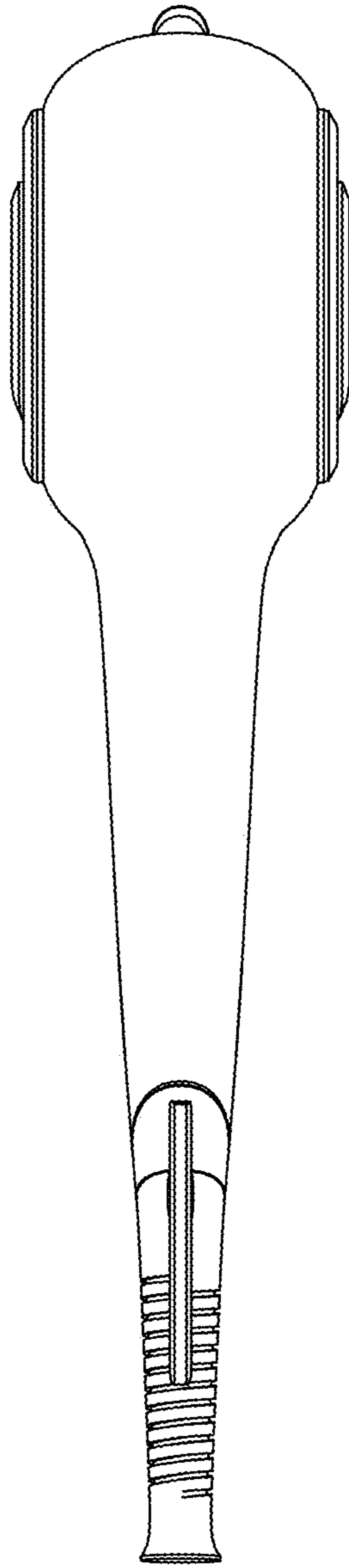


FIG. 3

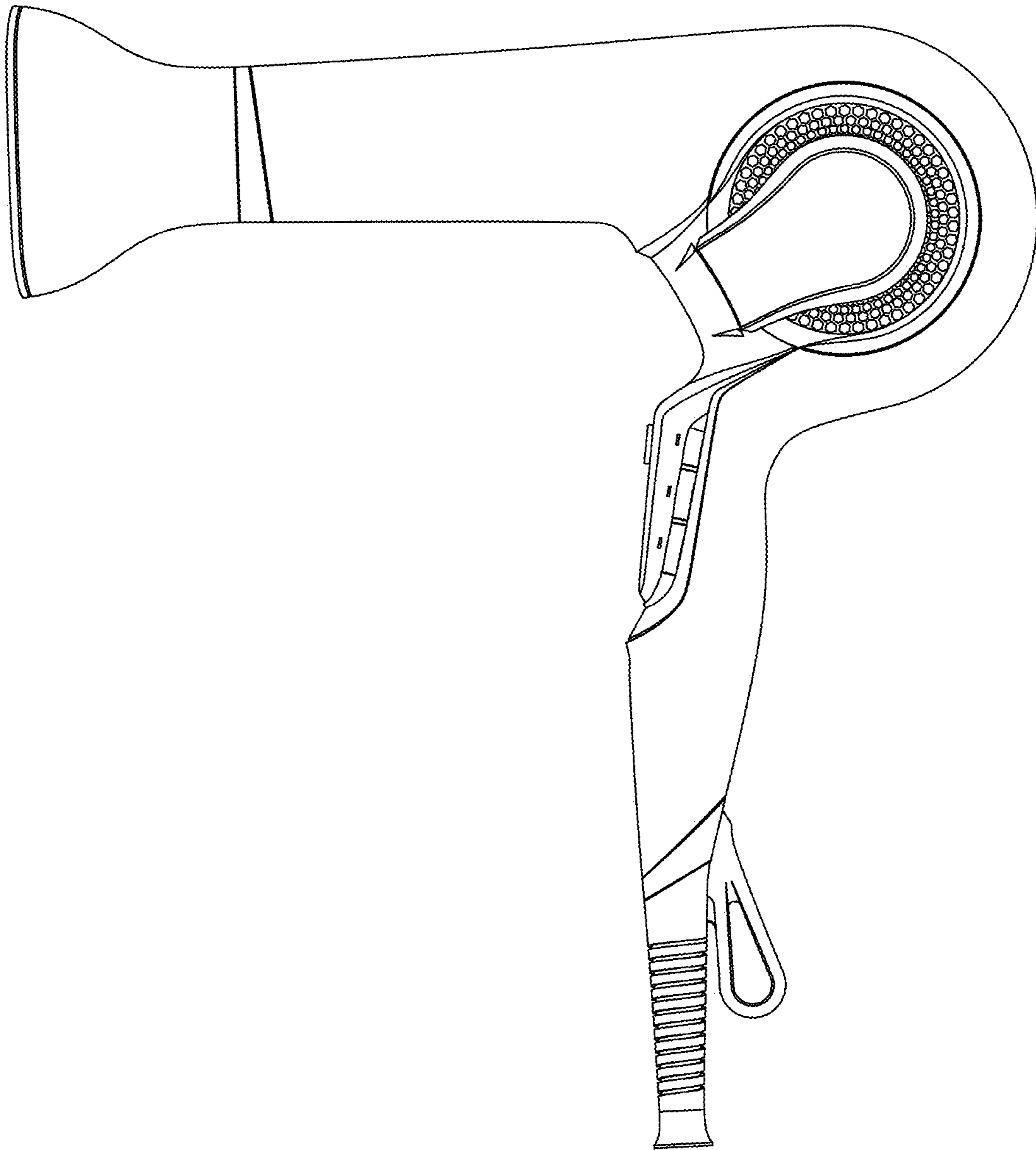


FIG. 4

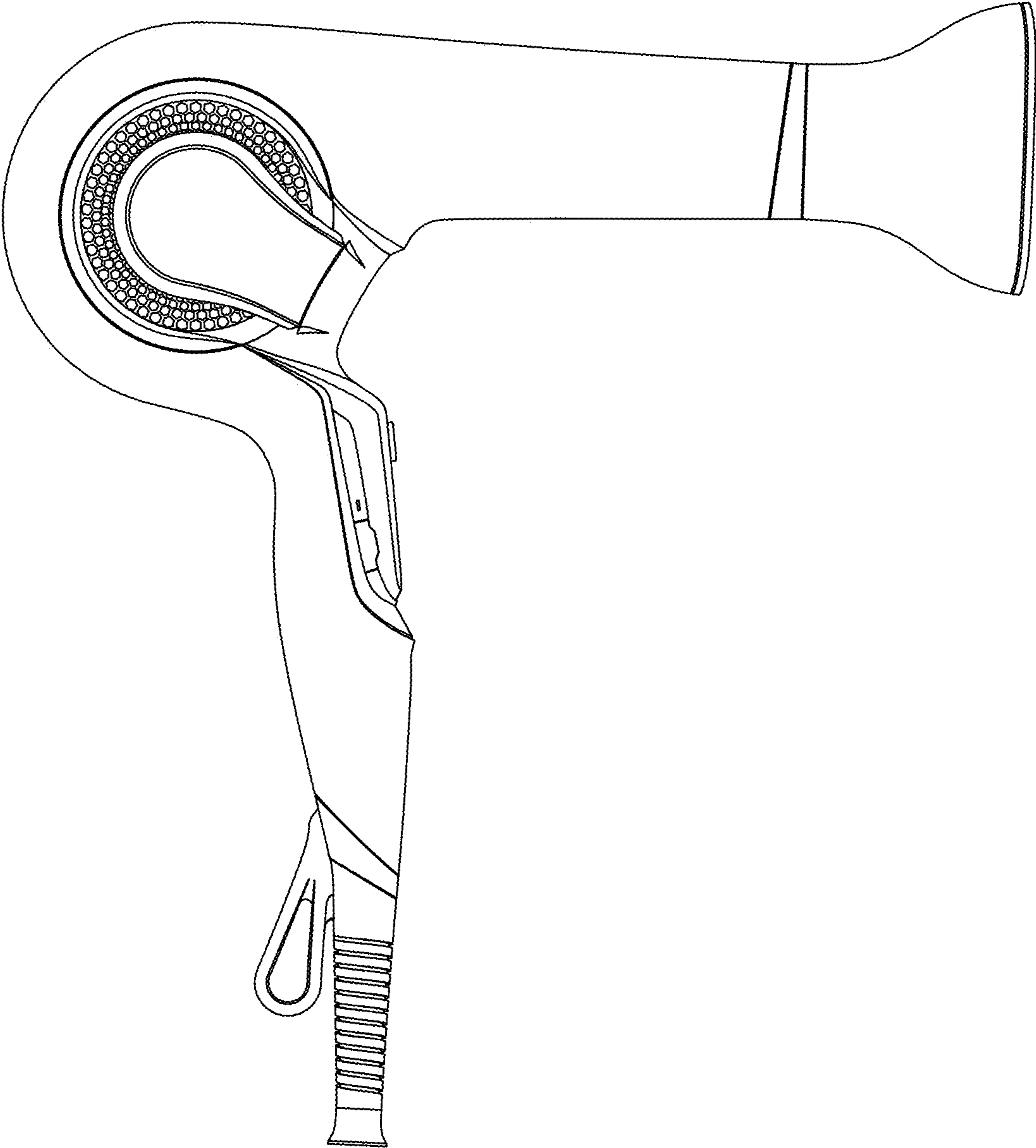


FIG. 5

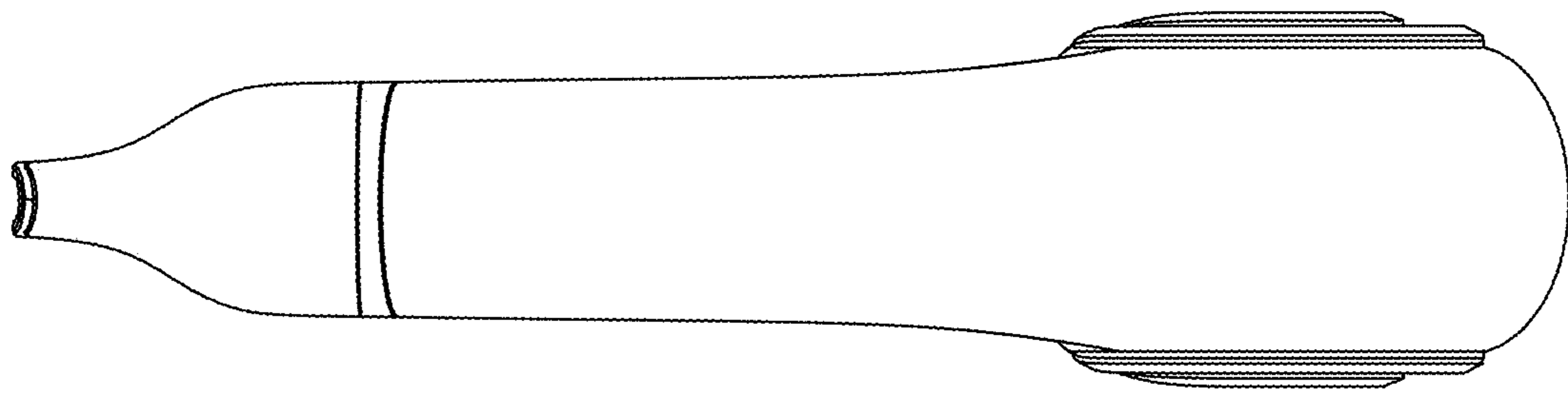


FIG. 6

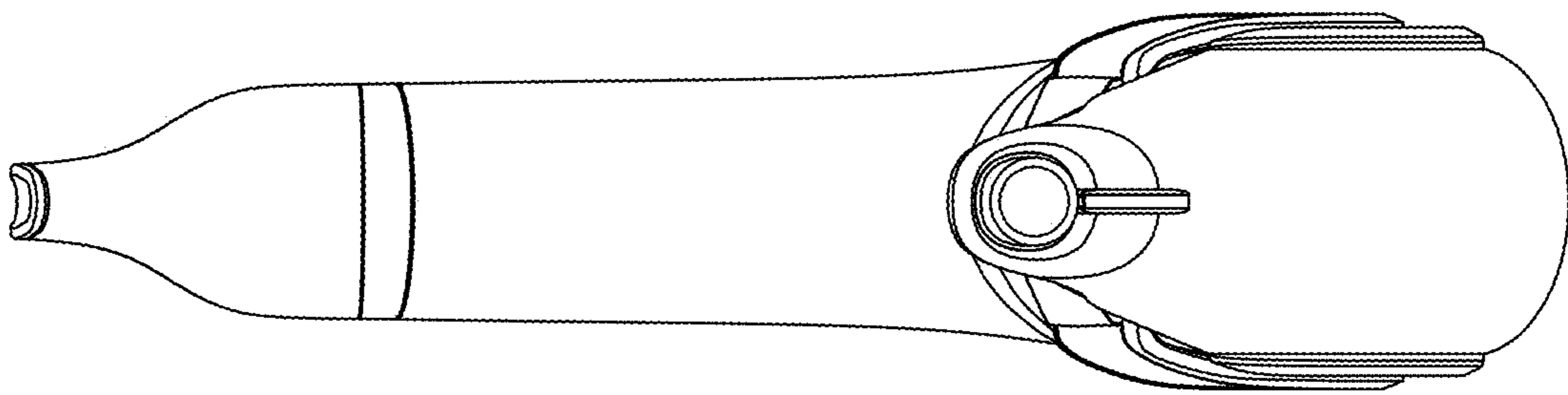


FIG. 7