



US00D920572S

(12) **United States Design Patent** (10) **Patent No.:** **US D920,572 S**
Liu (45) **Date of Patent:** **** May 25, 2021**

(54) **ELECTRONIC CIGARETTE**
(71) Applicant: **Tuanfang Liu**, Shenzhen (CN)
(72) Inventor: **Tuanfang Liu**, Shenzhen (CN)
(**) Term: **15 Years**
(21) Appl. No.: **29/687,888**
(22) Filed: **Apr. 16, 2019**
(30) **Foreign Application Priority Data**
Oct. 22, 2018 (CN) 201830589752.5
(51) **LOC (13) Cl.** **27-02**
(52) **U.S. Cl.**
USPC **D27/167**; D27/162; D27/169
(58) **Field of Classification Search**
USPC D27/100, 101, 139, 141, 148, 161–171,
D27/183, 185–194, 142–144, 180;
D24/110, 110.5, 129, 113, 112; D13/108,
D13/144, 103, 119, 146, 168;
D23/364–366, 202, 262, 209, 207;
D19/66, 73, 115, 123, 173, 177, 923,
D19/925–929, 934, 161–166, 194–196;
D14/434, 480.5, 480.1, 480.3, 483, 484.1,
D14/420, 426, 250, 137, 203.1, 203.3,
D14/203.7, 218, 254, 411, 433–435,
D14/435.1; D4/121; D9/500, 503, 504,
D9/516, 517, 522, 523, 530, 531, 560,
D9/444; D11/143, 156, 146, 54, 152,
D11/149, 144; D28/85, 4, 7, 88, 90,
D28/73–76, 77; D3/201, 11, 13, 17, 273,
D3/274, 300
CPC A24F 40/00; A24F 40/40; A24F 40/42;
A24F 40/05; A24F 40/46; A24F 47/002;
A24F 47/008; A24D 1/14; A24D 1/042;
A24D 1/02; G06F 3/03545
See application file for complete search history.

(56) **References Cited**
U.S. PATENT DOCUMENTS
D32,427 S * 4/1900 Fenn D9/500
D280,927 S * 10/1985 Iwasaki D23/366
D287,647 S * 1/1987 Ringle D27/181
D485,616 S * 1/2004 Baillargeon D24/129
D590,084 S * 4/2009 Witte D13/144
D614,034 S * 4/2010 Braun D9/516
D724,264 S * 3/2015 Chambers D27/101
D729,440 S * 5/2015 Liu D27/101
D755,639 S * 5/2016 Kim D9/690
D758,649 S * 6/2016 Liu D27/101
D758,654 S * 6/2016 Liu D27/163
D765,309 S * 8/2016 Liu D27/101
D768,914 S * 10/2016 Liu D27/101
D771,219 S * 11/2016 Gilbarte D22/117
(Continued)

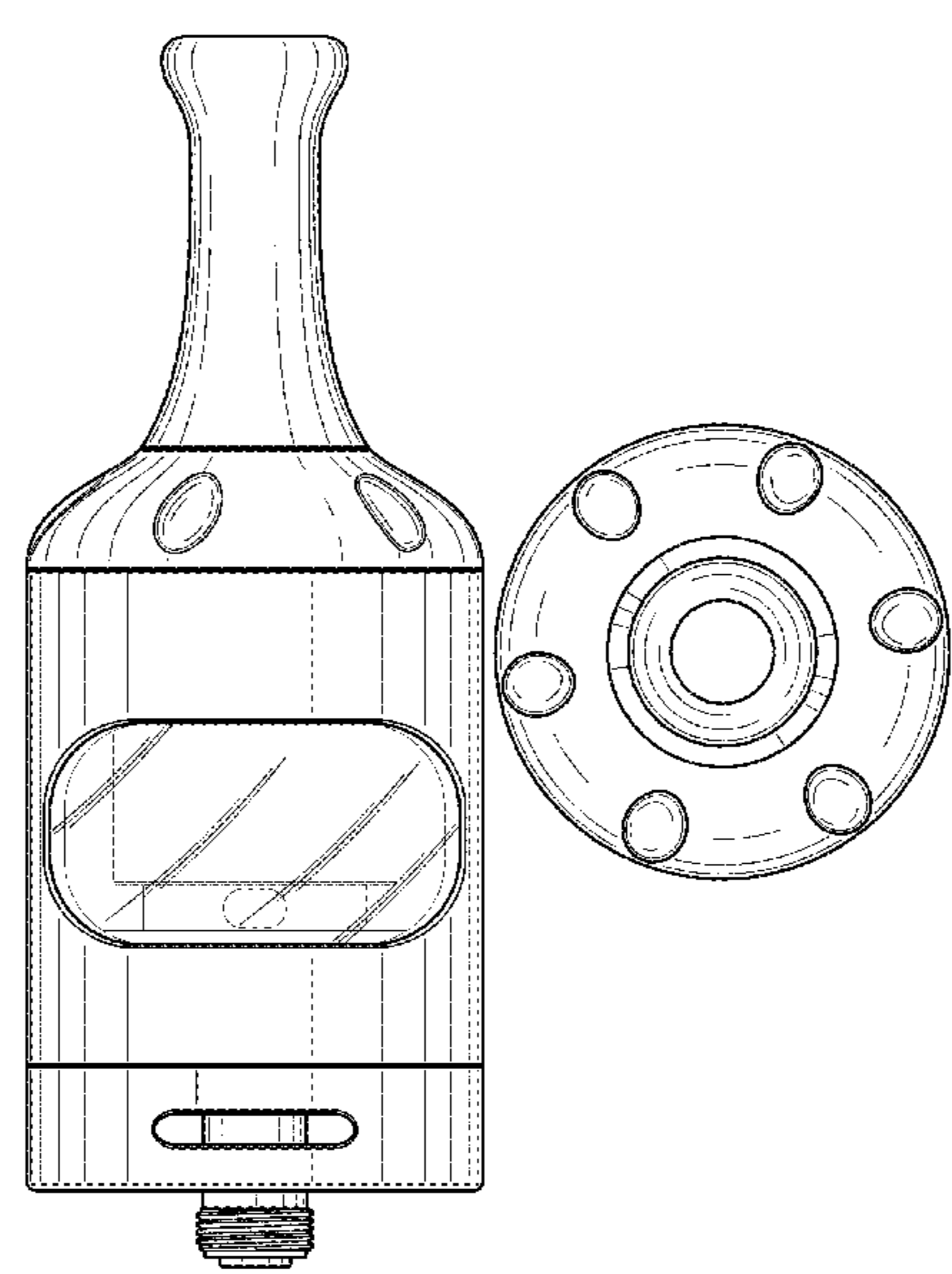
FOREIGN PATENT DOCUMENTS
CN 304083836 * 3/2017
CN 305072138 * 3/2019
EM EU 006023040-0001 * 4/2019

Primary Examiner — Dana K Weiland
Assistant Examiner — Mary Claire Ramirez
(74) *Attorney, Agent, or Firm* — Matthias Scholl P.C.;
Matthias Scholl

(57) **CLAIM**
The ornamental design for an electronic cigarette, as shown and described.

DESCRIPTION
FIG. 1 is a front elevation view of an electronic cigarette showing the new design;
FIG. 2 is a rear elevation view thereof;
FIG. 3 is a left-side elevation view thereof;
FIG. 4 is a right-side elevation view thereof;
FIG. 5 is a top plan view thereof;
FIG. 6 is a bottom plan view thereof; and,
FIG. 7 is a perspective view thereof.

1 Claim, 7 Drawing Sheets



(56)

References Cited

U.S. PATENT DOCUMENTS

D771,307 S *	11/2016	Wu	D27/101	2015/0272210 A1*	10/2015	Liu	A24F 13/02
D772,479 S *	11/2016	Stowers	D27/170					131/257
D781,418 S *	3/2017	Winsor	D24/129	2015/0374039 A1*	12/2015	Zhu	A24F 47/008
D792,022 S *	7/2017	Li	D27/167					131/329
D799,114 S *	10/2017	Li	D27/167	2016/0000145 A1*	1/2016	Liu	A61M 15/06
D800,381 S *	10/2017	Chen	D27/167					131/329
9,795,169 B1 *	10/2017	Zhu	H05B 3/42	2016/0007654 A1*	1/2016	Zhu	A24F 47/008
D811,652 S *	2/2018	Liu	D27/167					131/328
D839,476 S *	1/2019	Whetsei	B65D 25/54	2016/0165955 A1*	6/2016	Horne	A24F 47/008
				D27/189					131/328
2013/0180533 A1*	7/2013	Kim	A24F 47/008	2016/0219934 A1*	8/2016	Li	B65D 85/70
				131/273	2016/0227837 A1*	8/2016	Hammel	H05B 6/36
2014/0360514 A1*	12/2014	Zhu	A24F 47/008	2017/0013881 A1*	1/2017	Liu	A24F 47/008
				131/329	2017/0042228 A1*	2/2017	Liu	A24F 47/008
2014/0376895 A1*	12/2014	Han	A24F 47/008	2017/0196266 A1*	7/2017	Chen	A61M 11/041
				392/395	2018/0049470 A1*	2/2018	Chen	A24F 47/008
2015/0136157 A1*	5/2015	Liu	A61M 15/06	2018/0168236 A1*	6/2018	Qiu	A61M 15/002
				131/329	2018/0235277 A1*	8/2018	Lin	H05B 3/46
					2018/0263282 A1*	9/2018	Qiu	A24F 47/008
					2019/0124997 A1*	5/2019	Qiu	A24F 47/00
					2020/0187567 A1*	6/2020	Liu	F16J 15/022

* cited by examiner

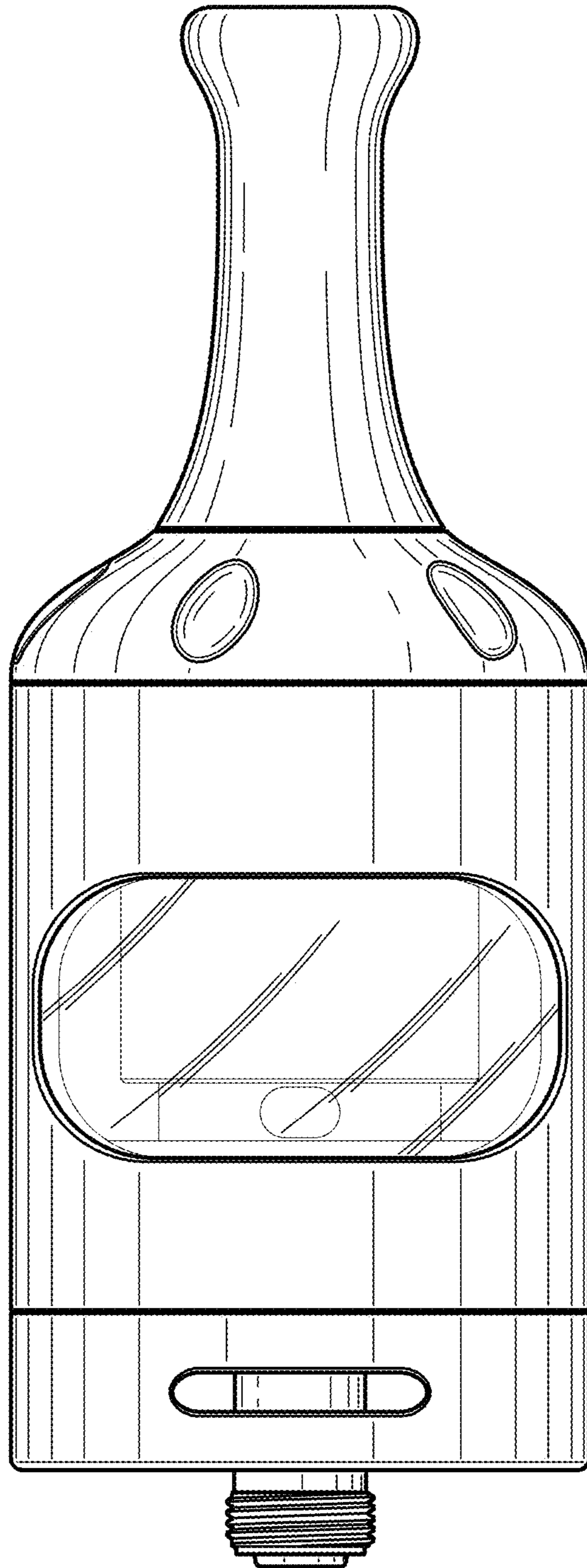


FIG. 1

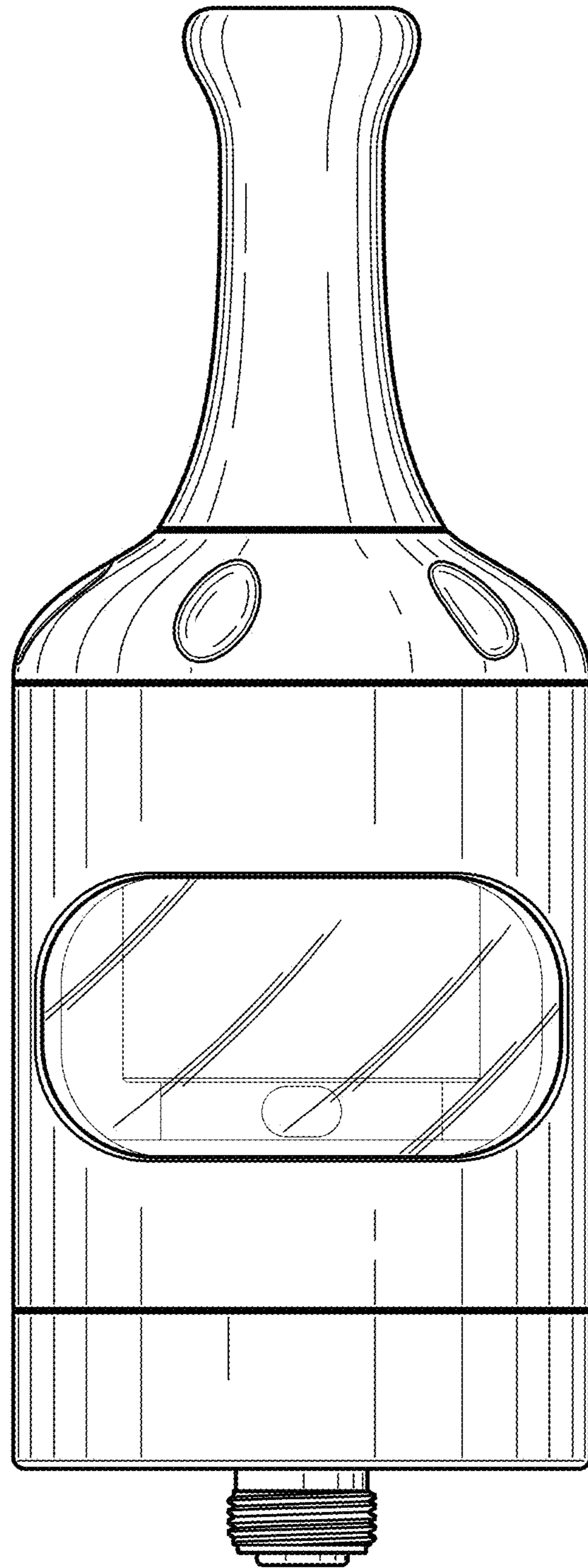


FIG. 2

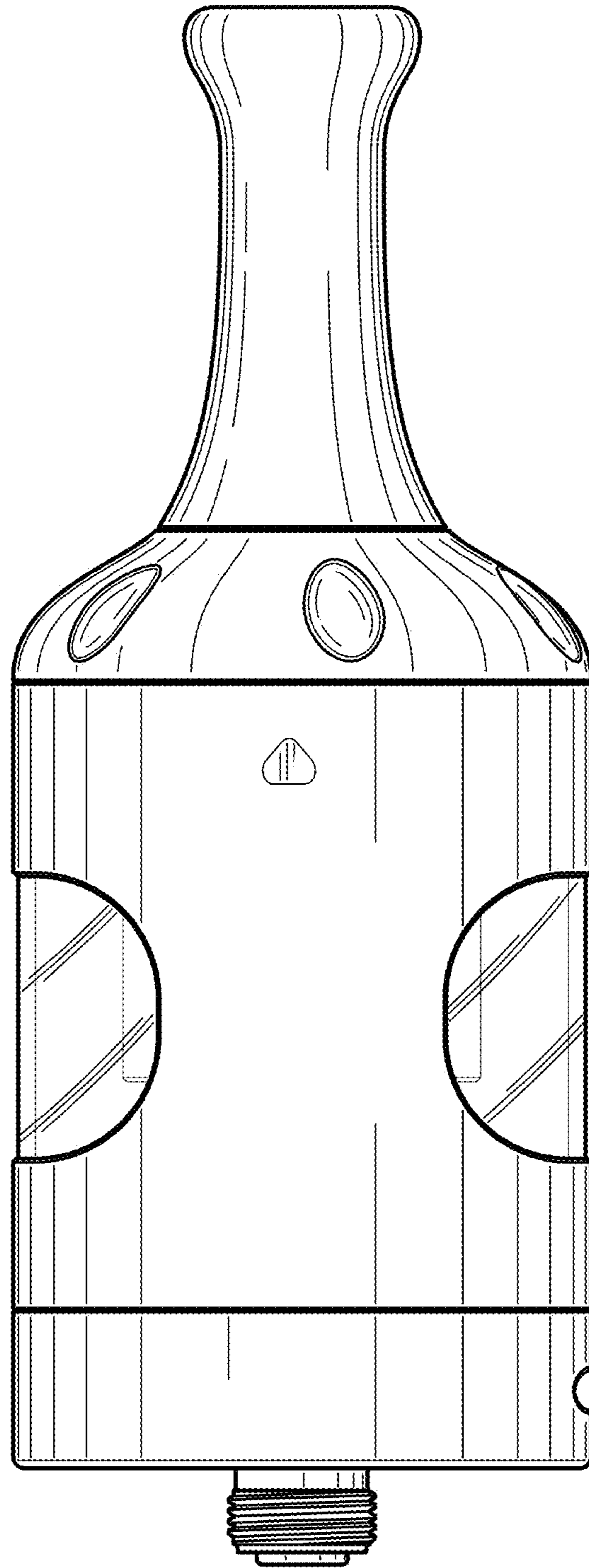


FIG. 3

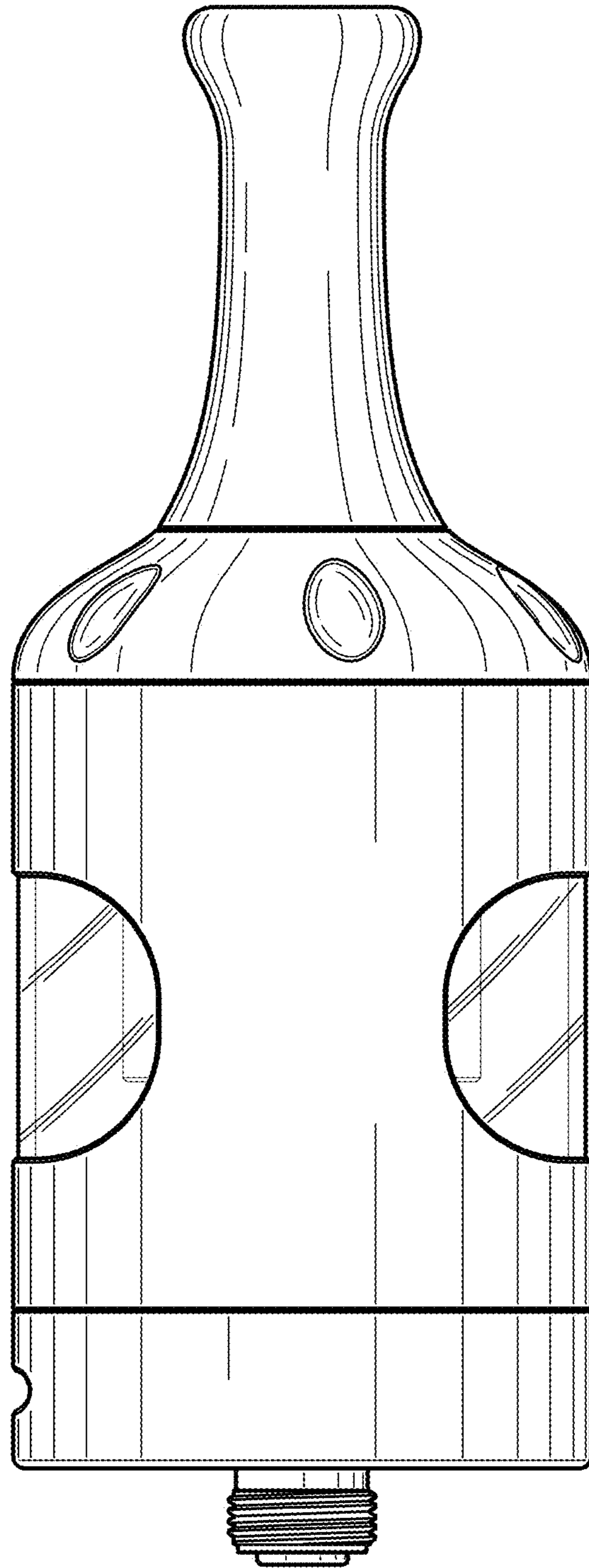


FIG. 4

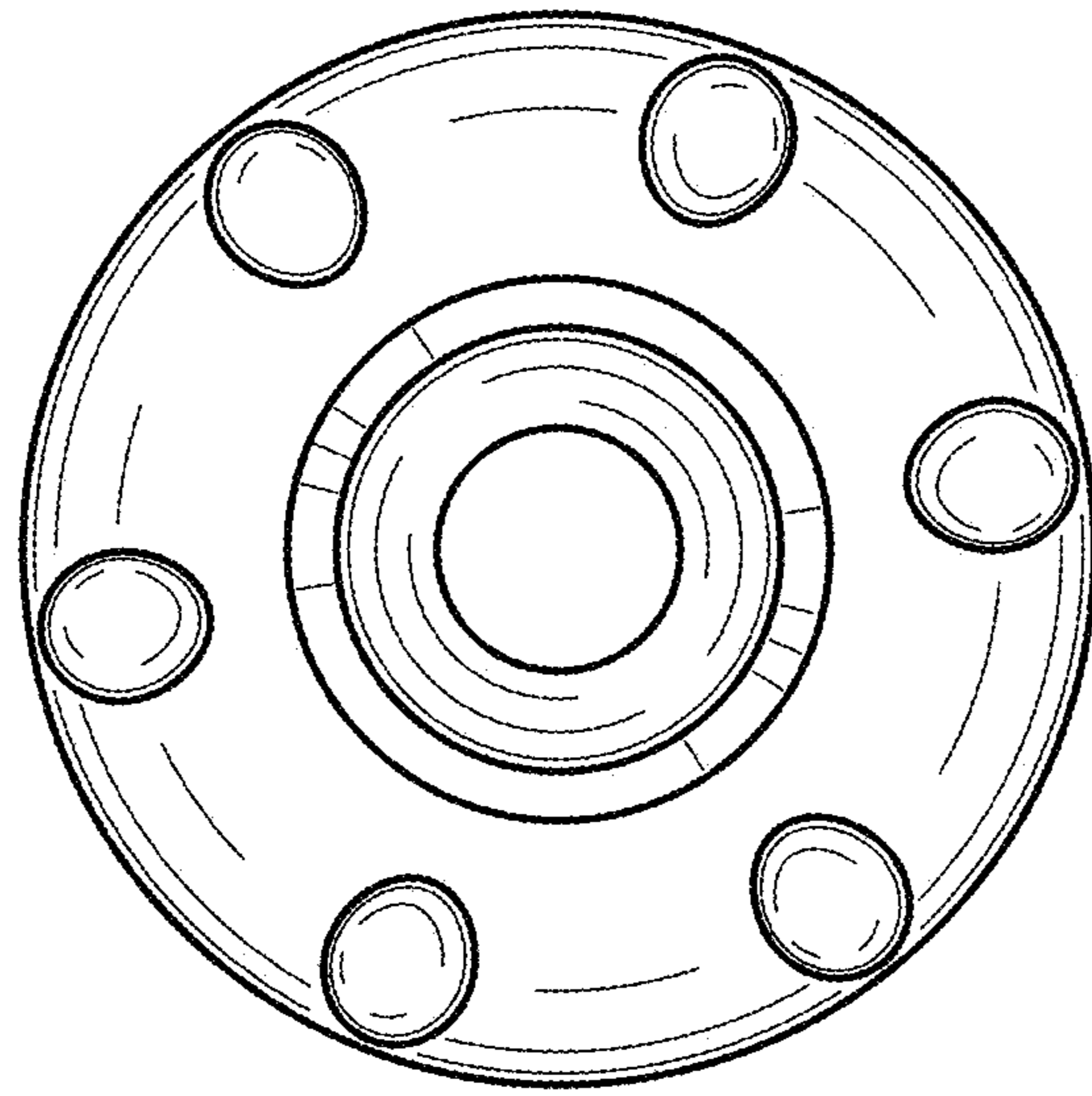


FIG. 5

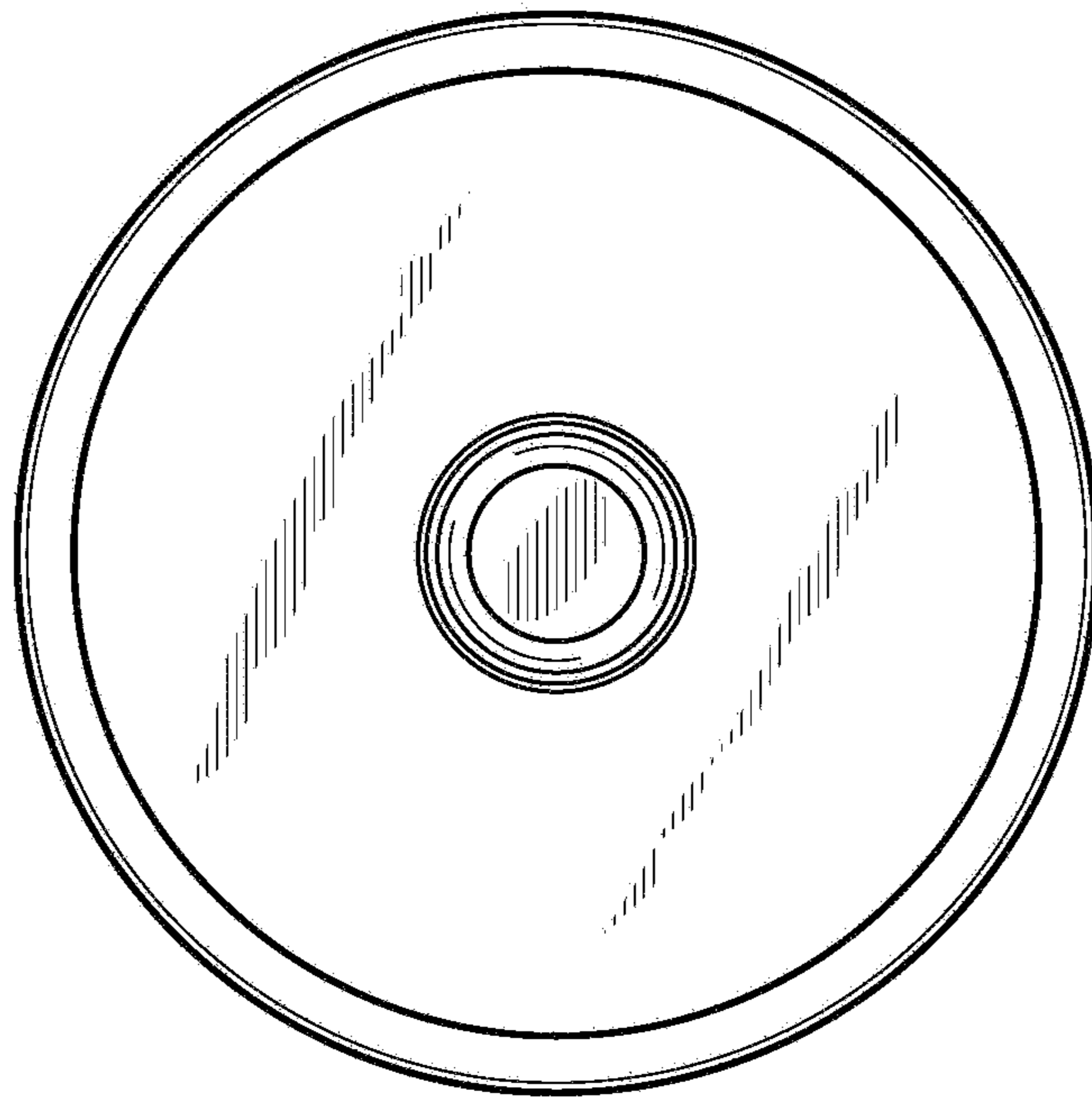


FIG. 6

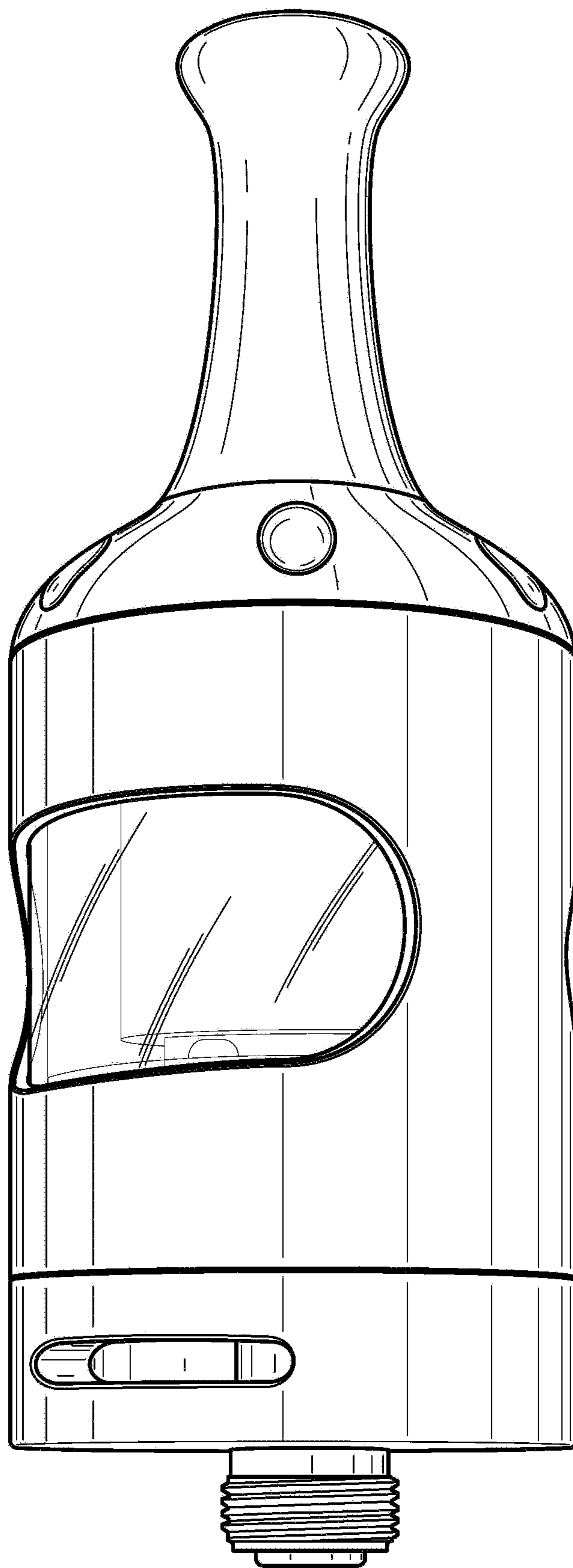


FIG. 7