

US00D920565S

(12) **United States Design Patent**  
**Liu**

(10) **Patent No.:** **US D920,565 S**

(45) **Date of Patent:** **\*\* May 25, 2021**

- (54) **PROJECTOR LAMP**
- (71) Applicant: **Kexian Liu**, Guangdong (CN)
- (72) Inventor: **Kexian Liu**, Guangdong (CN)
- (73) Assignee: **Zhongshan Bolang Electronic Technology Co., Ltd.**, Guangdong (CN)
- (\*\*) Term: **15 Years**
- (21) Appl. No.: **29/731,399**
- (22) Filed: **Apr. 15, 2020**
- (51) **LOC (13) Cl.** ..... **26-03**
- (52) **U.S. Cl.**  
USPC ..... **D26/106**
- (58) **Field of Classification Search**  
USPC ..... D26/93, 104, 106, 110, 112  
CPC ..... F21V 3/00; F21V 5/007; F21W 2121/00;  
F21W 2131/30; F21S 6/00; F21S 10/00;  
F21S 10/06  
See application file for complete search history.

8,496,337 B2 \* 7/2013 Li ..... G03B 21/145  
353/119  
D805,679 S \* 12/2017 Sawitz ..... D26/106  
D821,633 S \* 6/2018 Yang ..... D26/106  
D908,932 S \* 1/2021 Richardson ..... D26/24

\* cited by examiner

*Primary Examiner* — Brian N. Vinson

(57) **CLAIM**

The ornamental design for a projector lamp, as shown and described.

**DESCRIPTION**

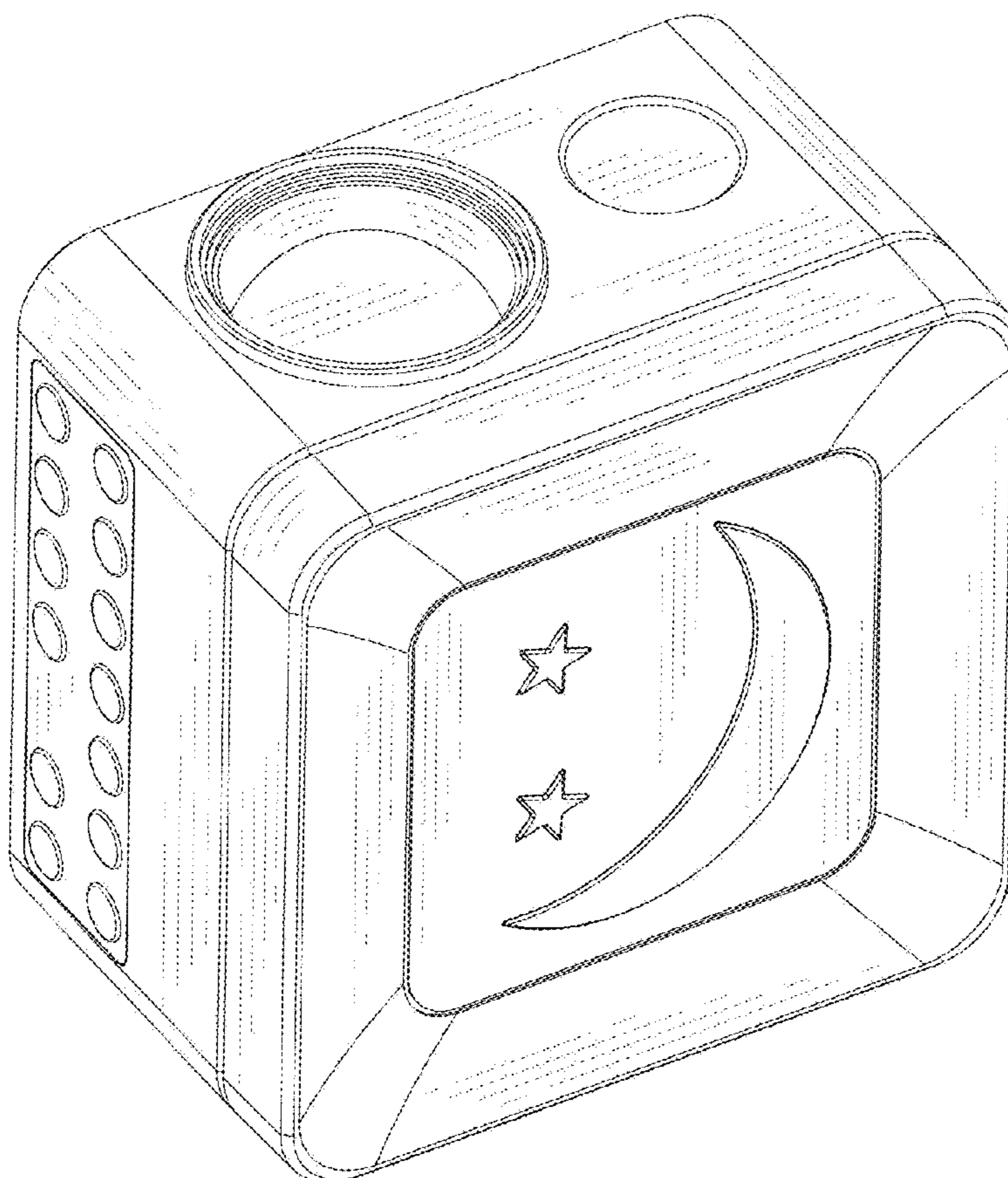
FIG. 1 is a front, top and left side perspective view of a projector lamp showing my new design;  
 FIG. 2 is a rear, bottom and right side perspective view thereof;  
 FIG. 3 is a front elevation view thereof;  
 FIG. 4 is a rear elevation view thereof;  
 FIG. 5 is a left side elevation view thereof;  
 FIG. 6 is a right side elevation view thereof;  
 FIG. 7 is a top plan view thereof;  
 FIG. 8 is a bottom plan view thereof; and,  
 FIG. 9 is another perspective view thereof.

(56) **References Cited**

**U.S. PATENT DOCUMENTS**

D206,610 S \* 1/1967 Klausen ..... D26/104  
 D474,301 S \* 5/2003 Seal ..... D26/93

**1 Claim, 9 Drawing Sheets**



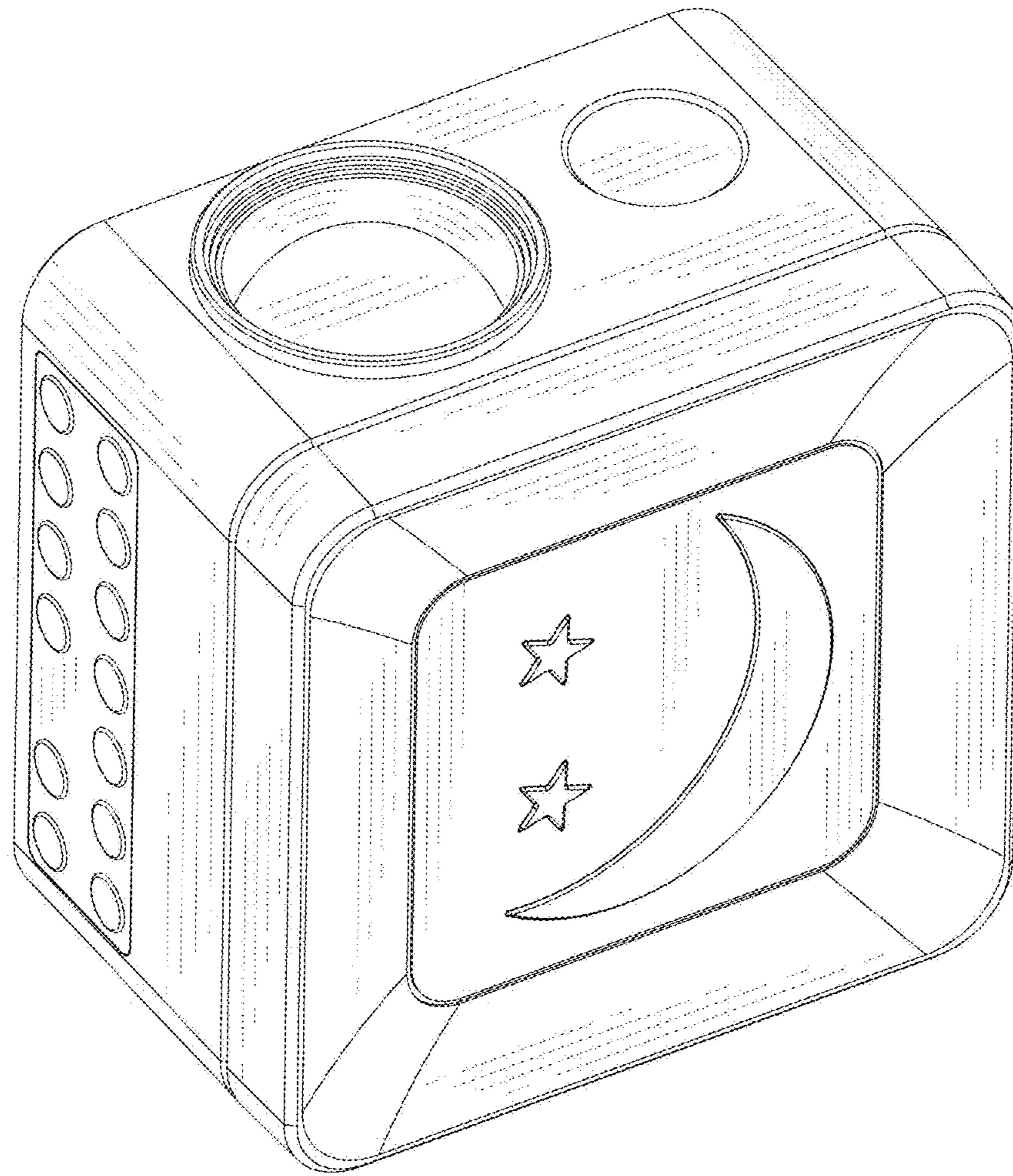


FIG.1

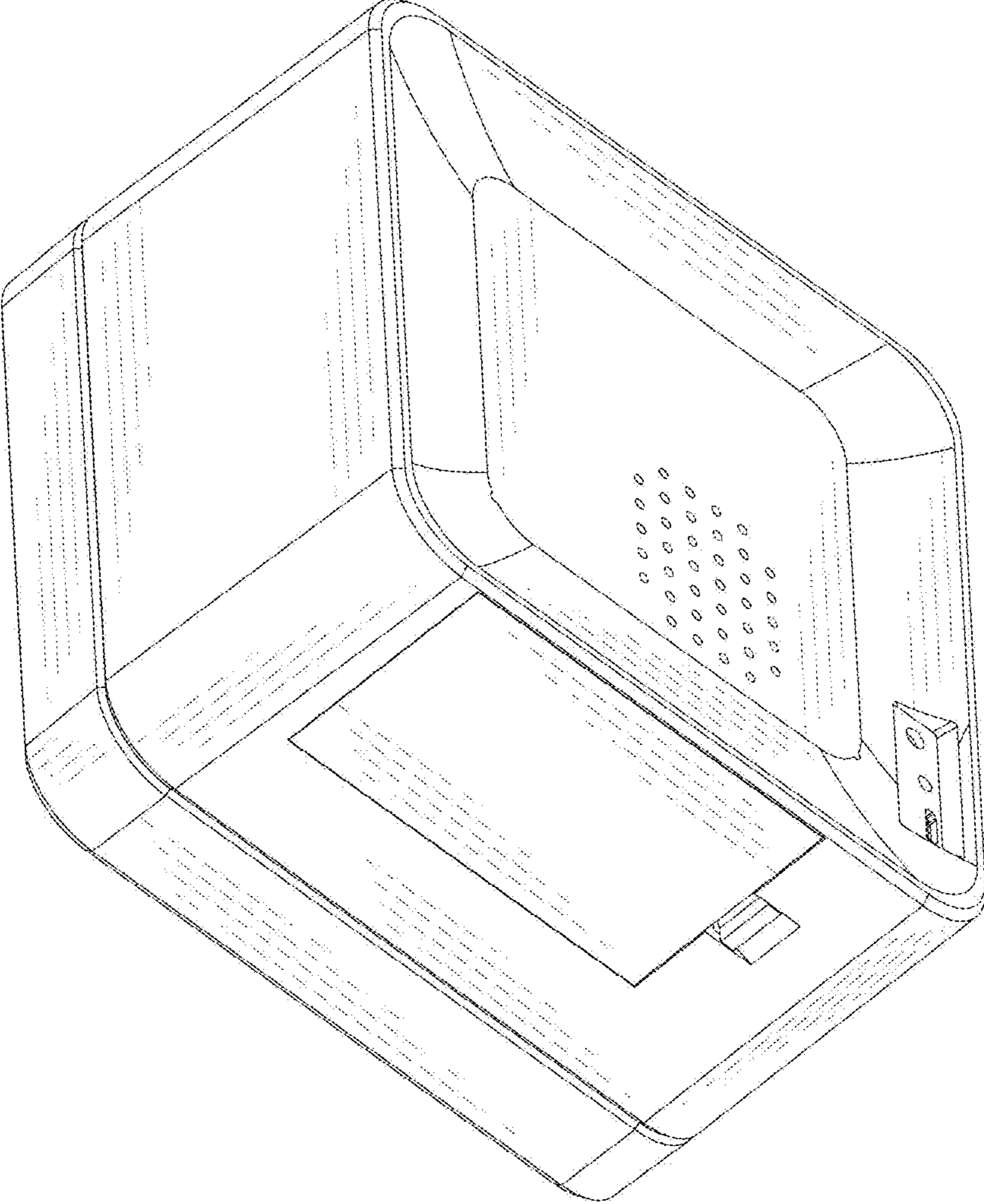


FIG.2

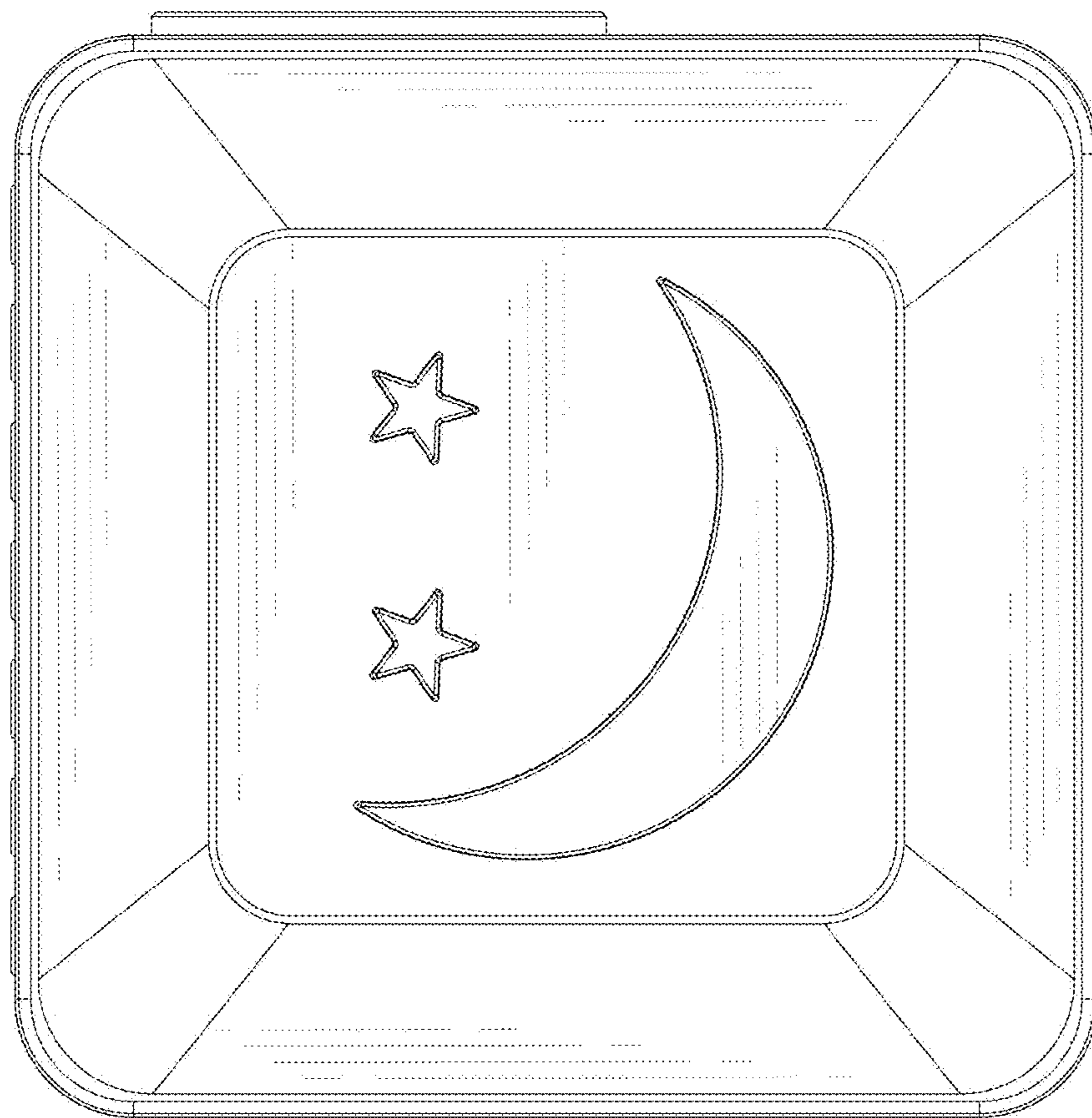


FIG.3

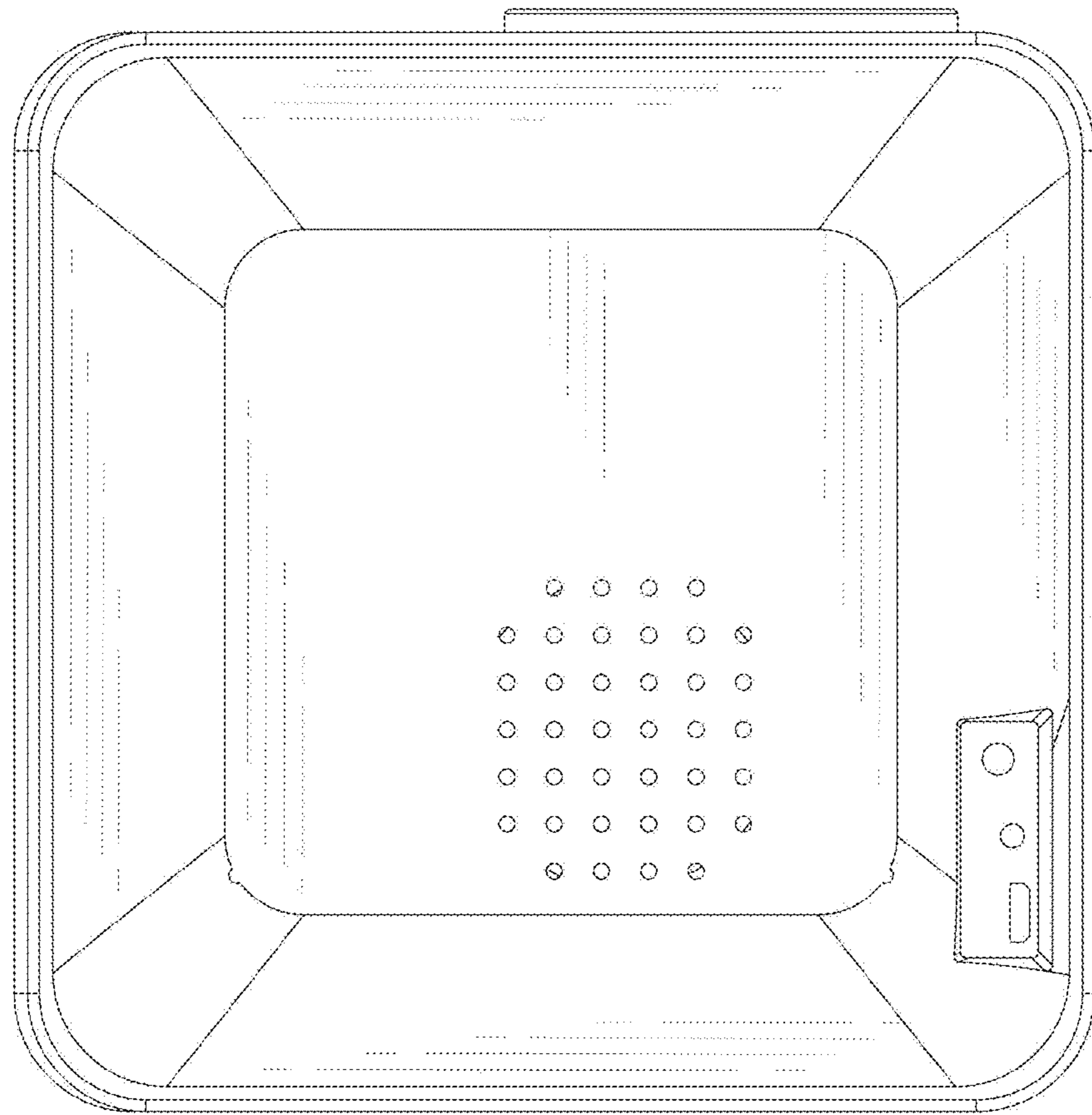


FIG.4

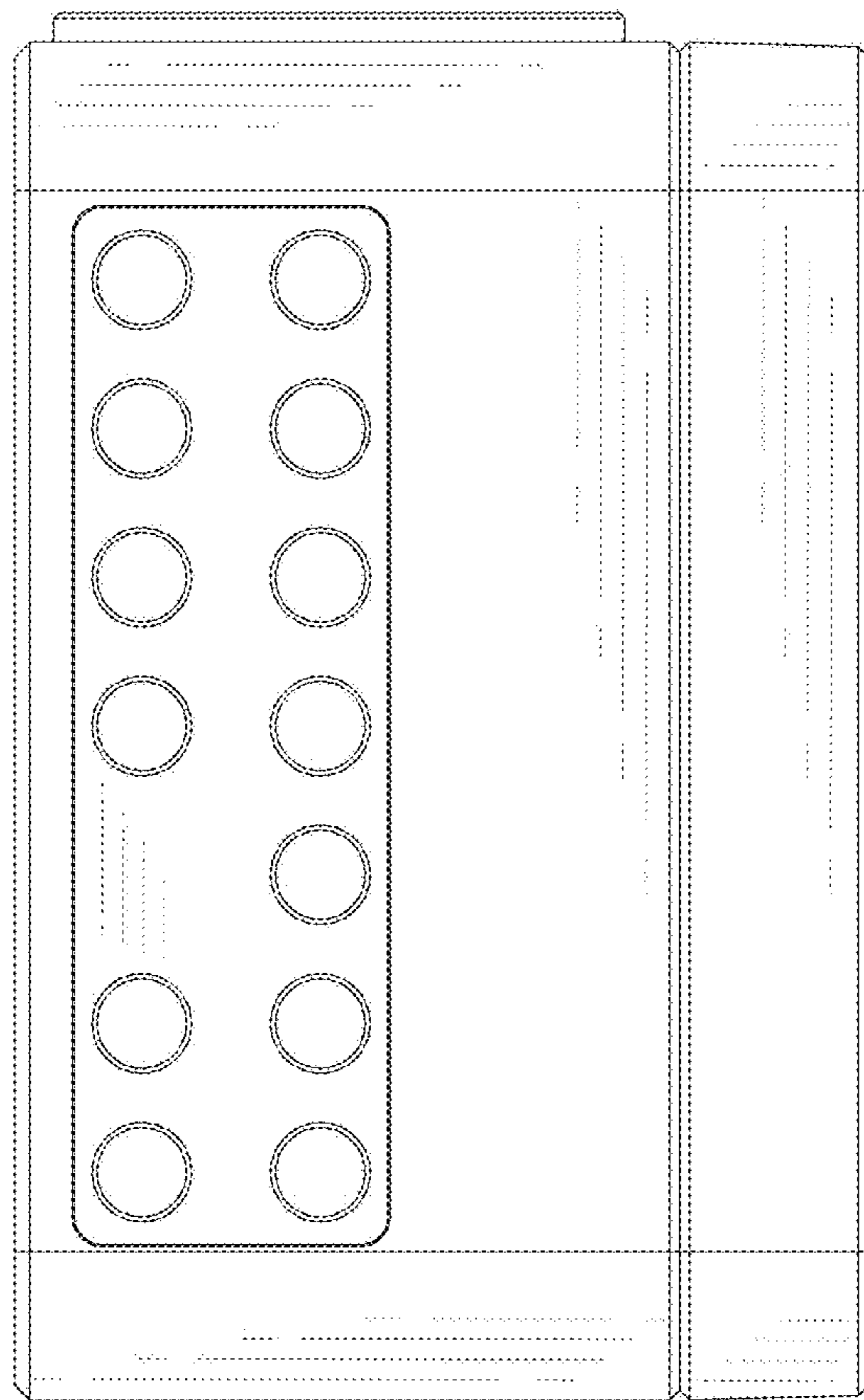


FIG.5

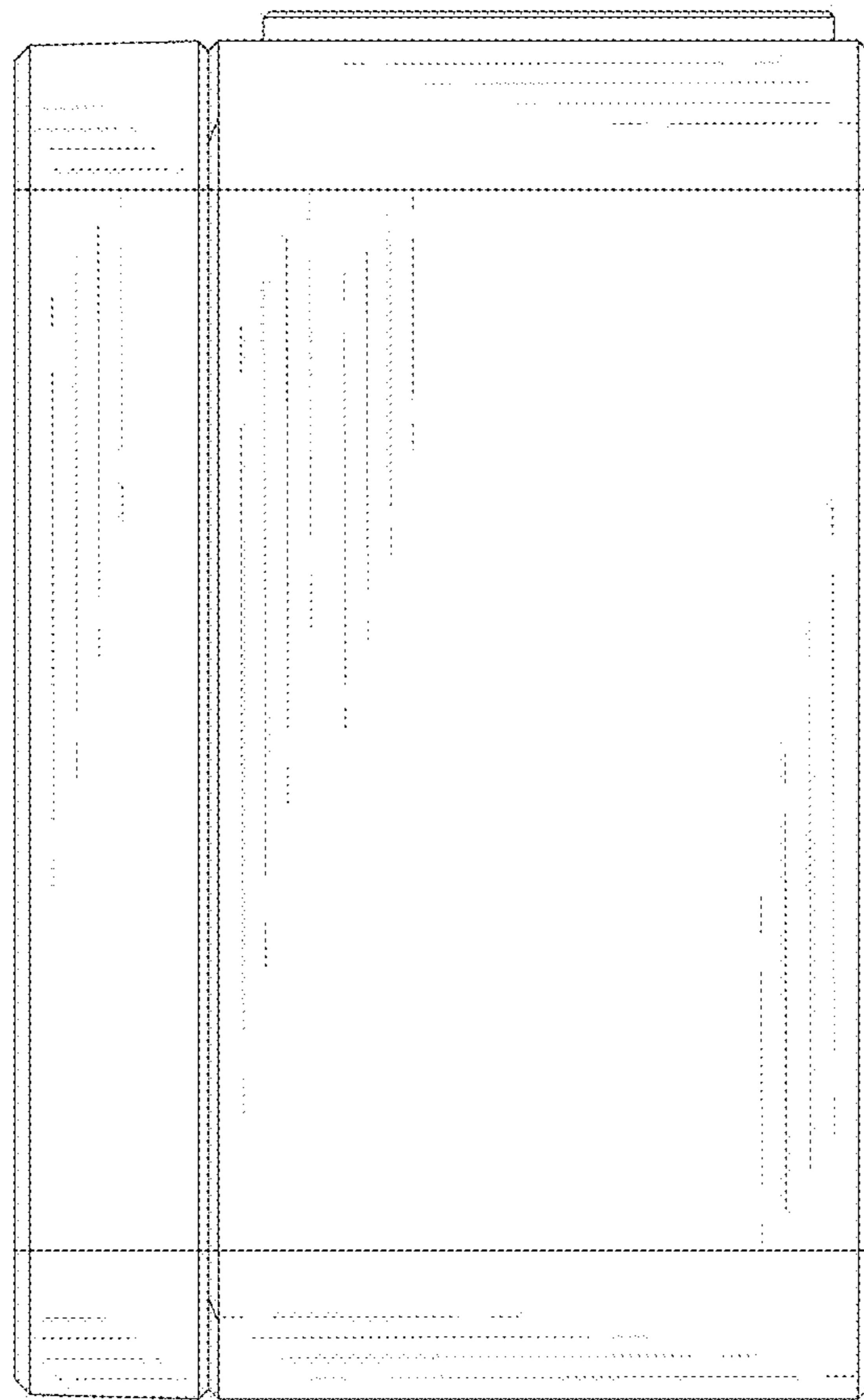


FIG.6

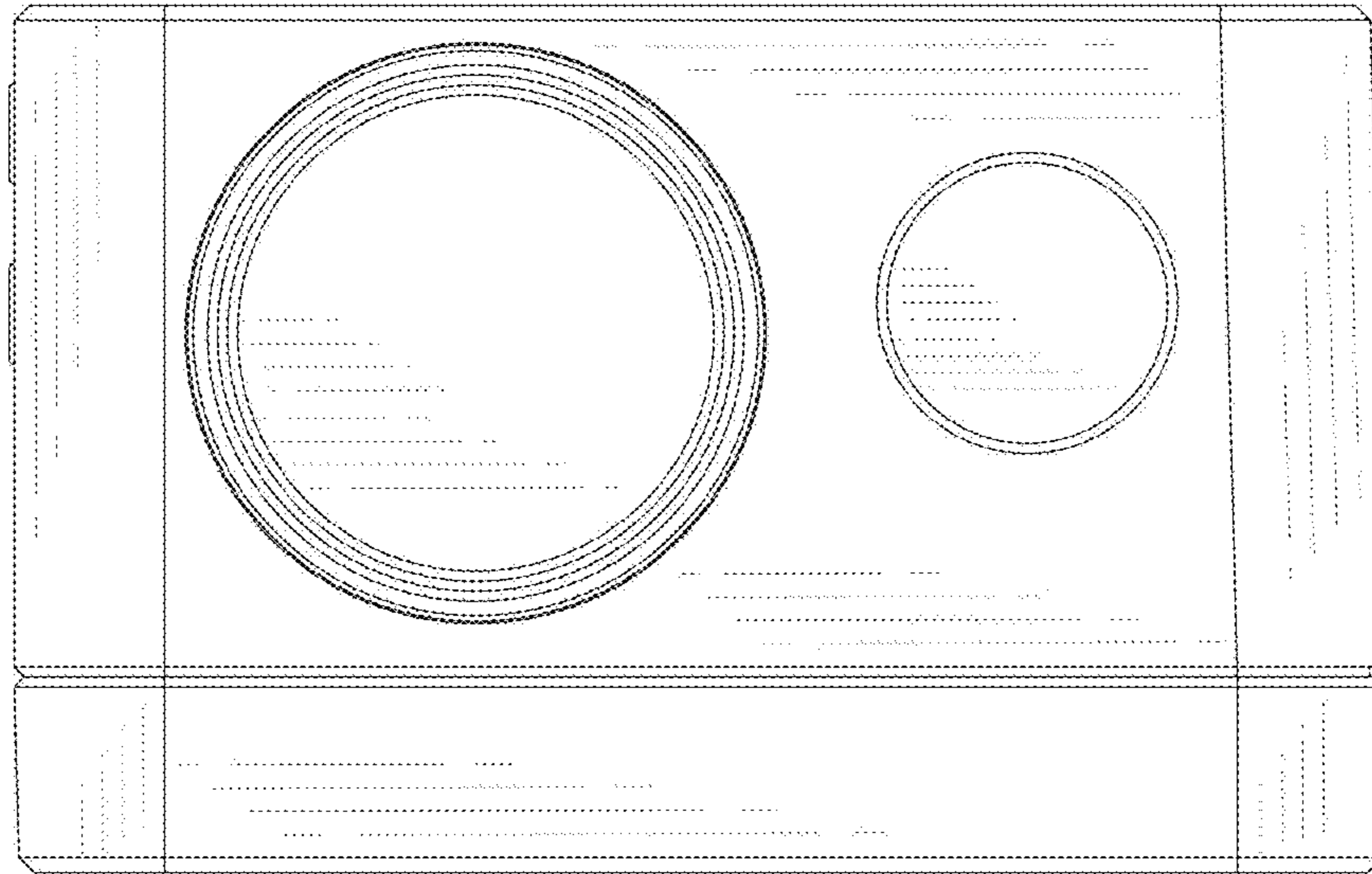


FIG. 7



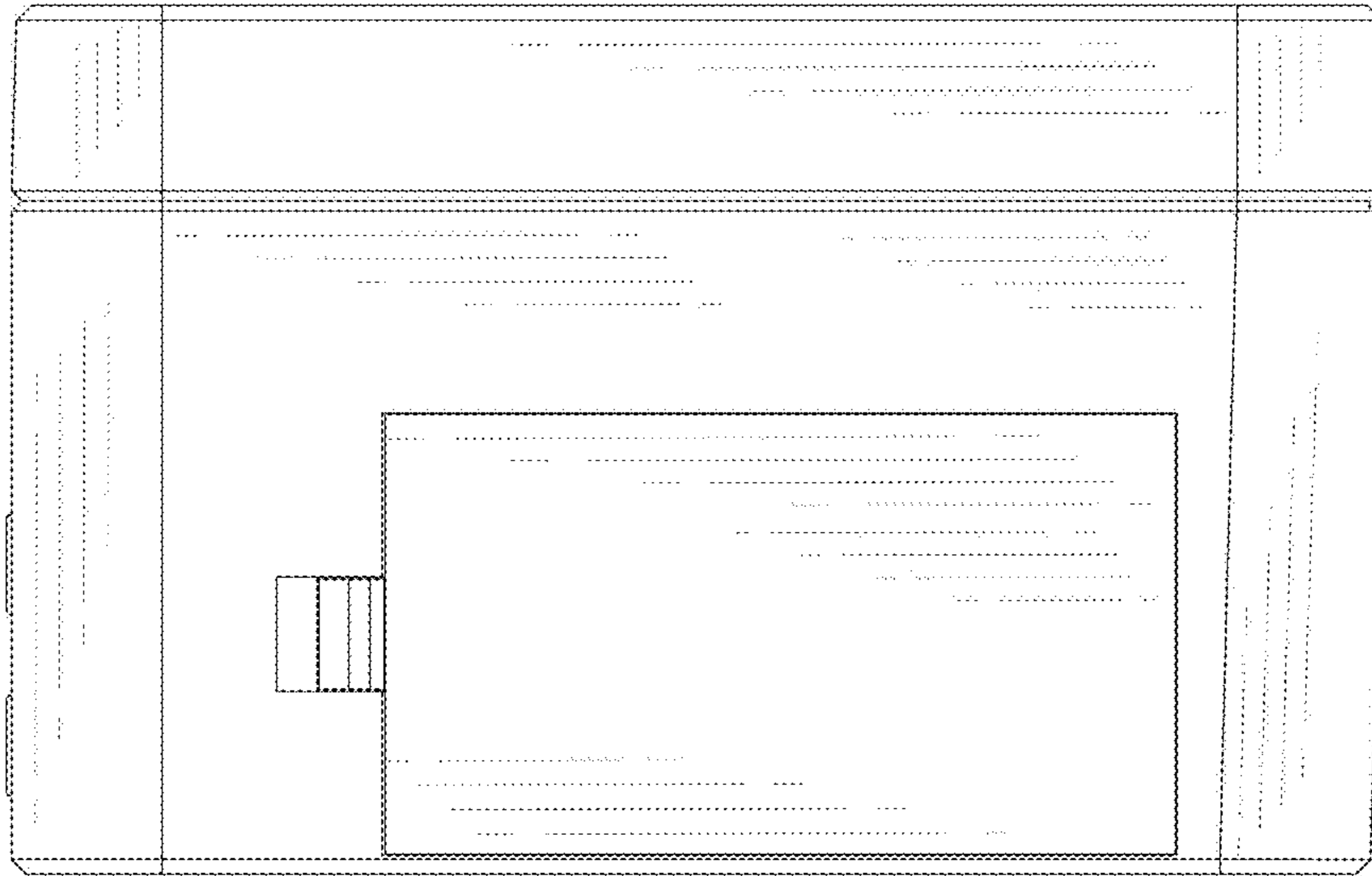


FIG. 8

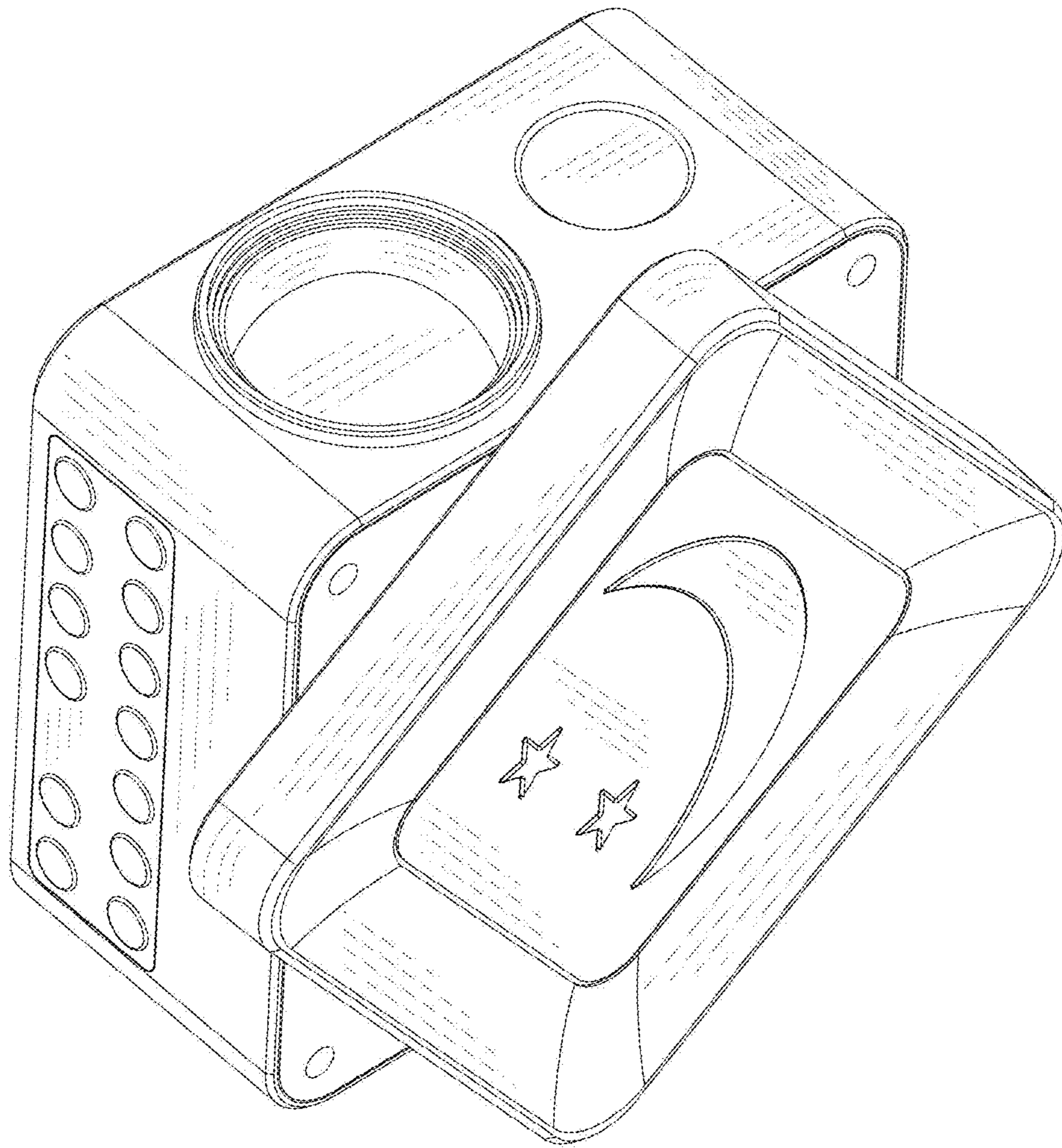


FIG. 9