



US00D920564S

(12) **United States Design Patent** (10) **Patent No.:** **US D920,564 S**
Li (45) **Date of Patent:** **** May 25, 2021**

(54) **LIGHT**

(71) Applicant: **ECOLUX CORP. LIMITED**, Irvine, CA (US)

(72) Inventor: **Jing Li**, Irvine, CA (US)

(**) Term: **15 Years**

(21) Appl. No.: **29/732,655**

(22) Filed: **Apr. 27, 2020**

(51) **LOC (13) Cl.** **26-03**

(52) **U.S. Cl.**
USPC **D26/89**

(58) **Field of Classification Search**
USPC D26/24, 72, 76, 80, 85, 89, 88
CPC F21S 8/03; F21S 8/036; F21S 8/037; F21S 9/02; F21S 9/024; F21S 9/03; F21S 9/037; F21W 2131/107; G08B 13/19; G08B 13/193

See application file for complete search history.

(56) **References Cited**

U.S. PATENT DOCUMENTS

D64,937 S *	6/1924	Stair	D26/128
3,836,766 A *	9/1974	Auerbach	F21S 8/033 362/311.14
D341,441 S *	11/1993	Shapiro	D26/118
D560,299 S *	1/2008	Bucher	D26/59
D583,982 S *	12/2008	Meyer	D26/89
D603,553 S *	11/2009	Orozco	D26/136
D604,448 S *	11/2009	Sabernig	D26/89
D662,621 S *	6/2012	Yamamoto	D26/2
D785,848 S *	5/2017	Couture	D26/89
D850,702 S *	6/2019	Yang	D26/110

D866,014 S *	11/2019	Zhang	D26/24
D907,278 S *	1/2021	Zhu	D26/89
2019/0101257 A1 *	4/2019	Boulanger	F21V 15/01

OTHER PUBLICATIONS

Neporal Flush—Mount-Ceiling-Light-LED 16 Inch, ASIN: B07WJYJS2P, available at amazon.com Aug. 14, 2019. (Year: 2019).*

VICNIE 14inch LED Ceiling Light, ASIN: B08D98K4GB, available at amazon.com Sep. 2, 2020. (Year: 2020).*

Flush Mount Lighting Fixtures, VICNIE 14inch, ASIN: B07RPKYQ92, available at amazon.com May 12, 2019. (Year: 2019).*

* cited by examiner

Primary Examiner — Clare E Heflin

(74) *Attorney, Agent, or Firm* — Rumit Ranjit Kanakia

(57) **CLAIM**

I claim the ornamental design for a light, as shown and described.

DESCRIPTION

FIG. 1 is a Perspective view of a light showing my new design;

FIG. 2 is another Perspective view of a light showing my new;

FIG. 3 is a Left-side view thereof;

FIG. 4 is a Right-side view thereof;

FIG. 5 is a Top view thereof; and

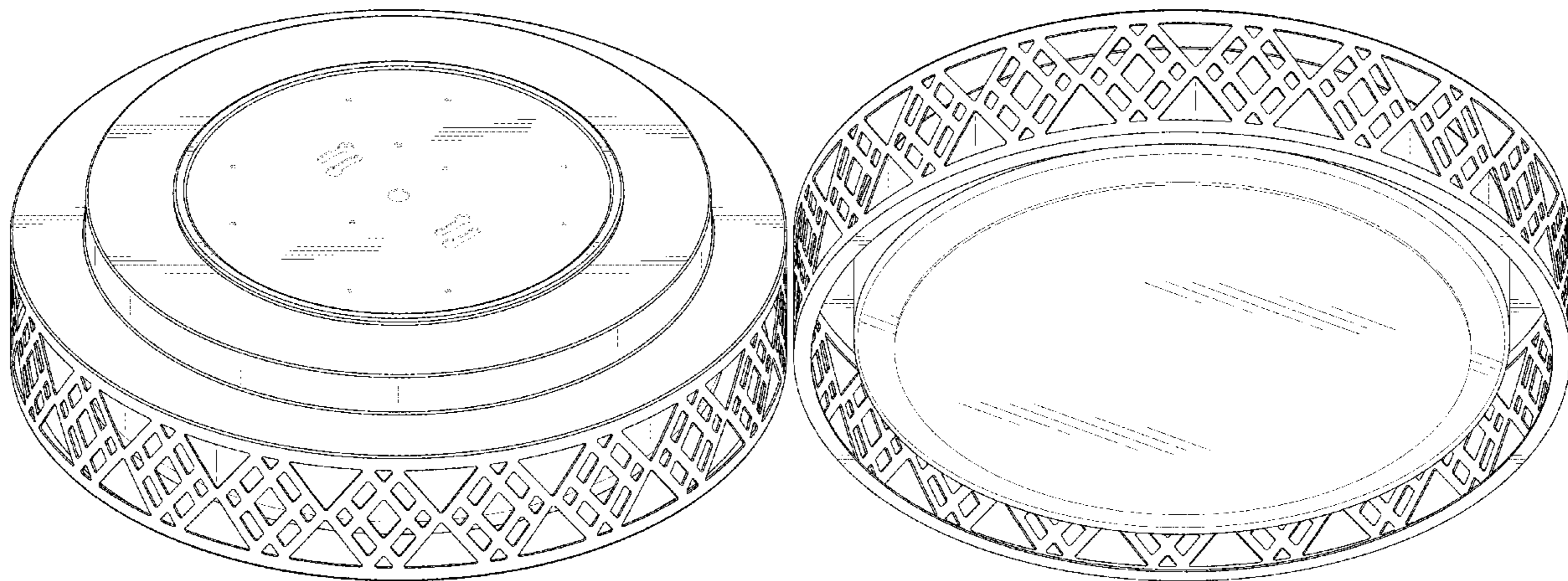
FIG. 6 is a Bottom view thereof

FIG. 7 is a Front view thereof; and,

FIG. 8 is a Back view thereof.

The broken lines are only for environmental purposes and form no part of the claimed design.

1 Claim, 8 Drawing Sheets



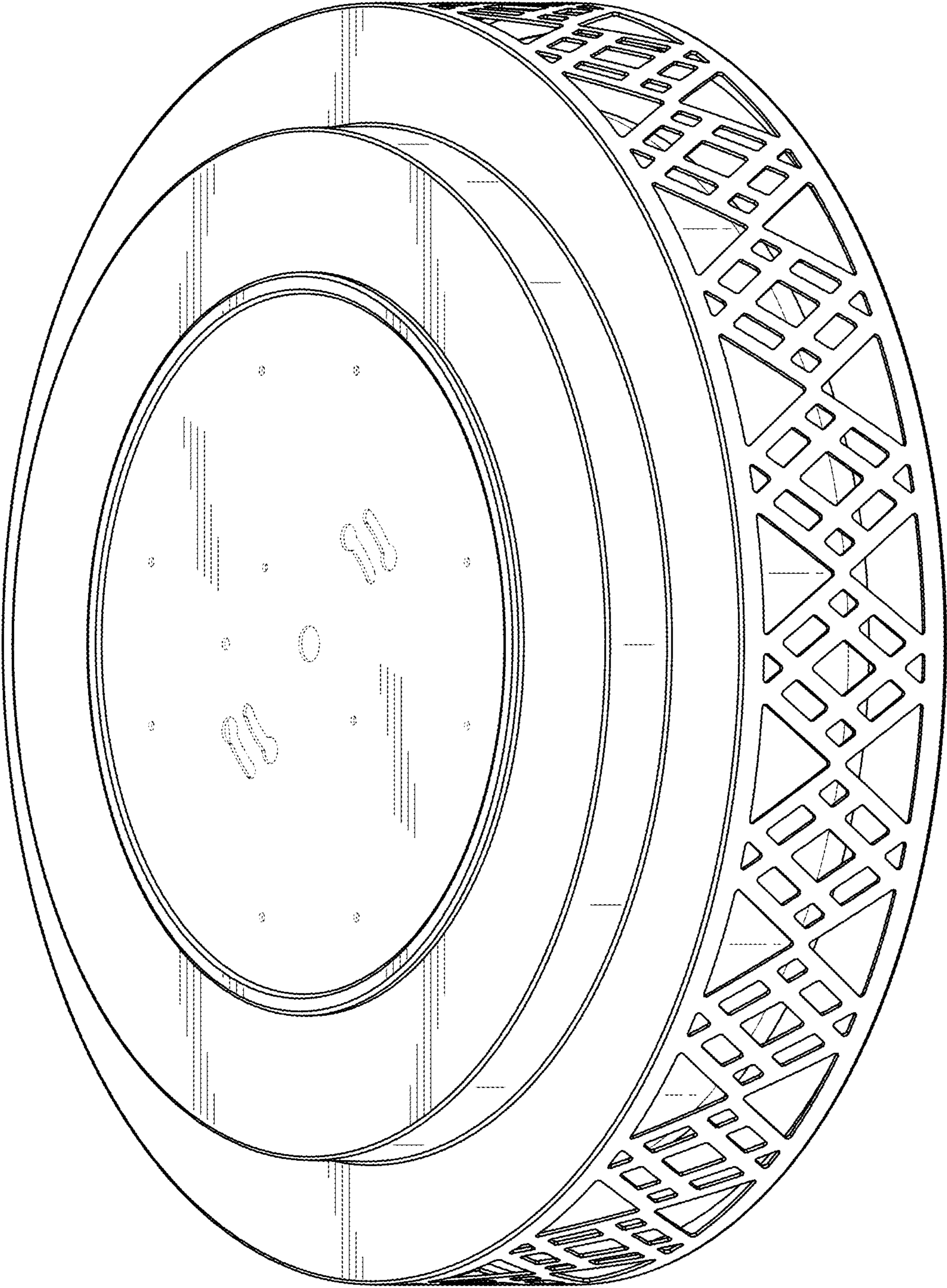


FIG. 1

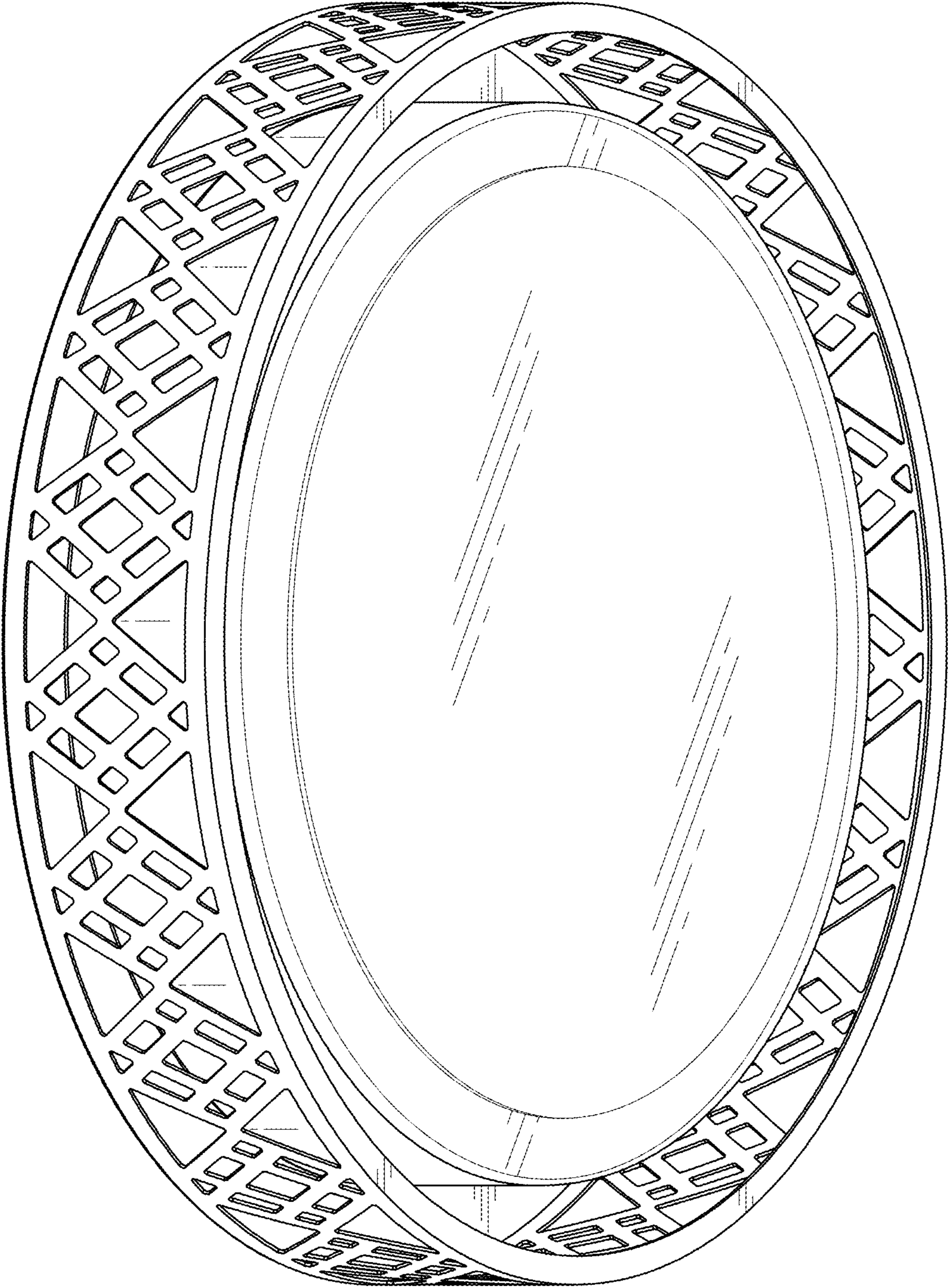


FIG. 2

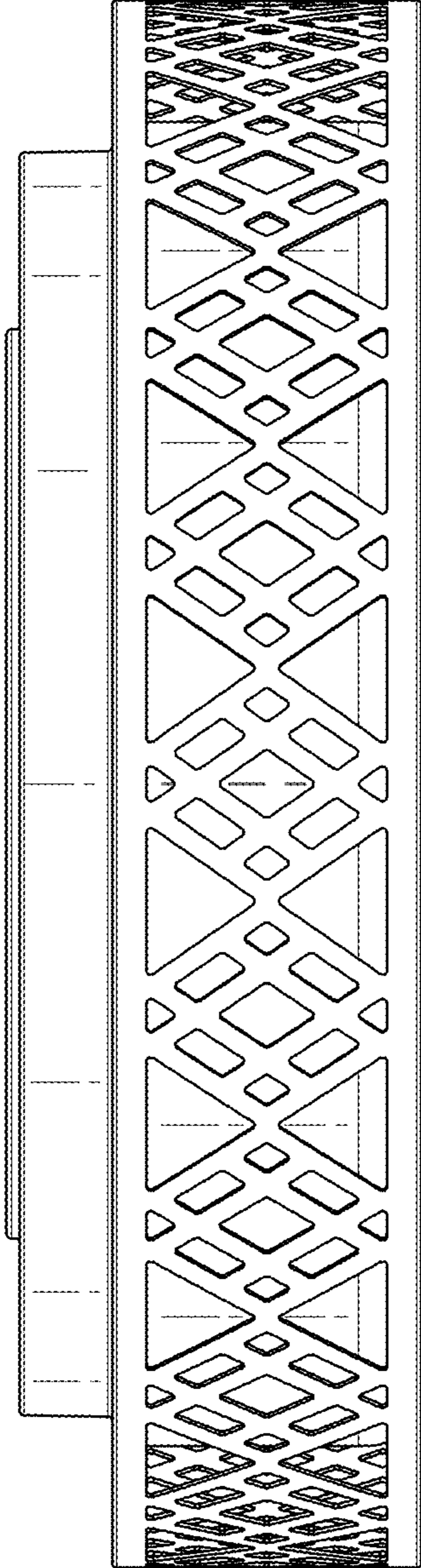


FIG. 3

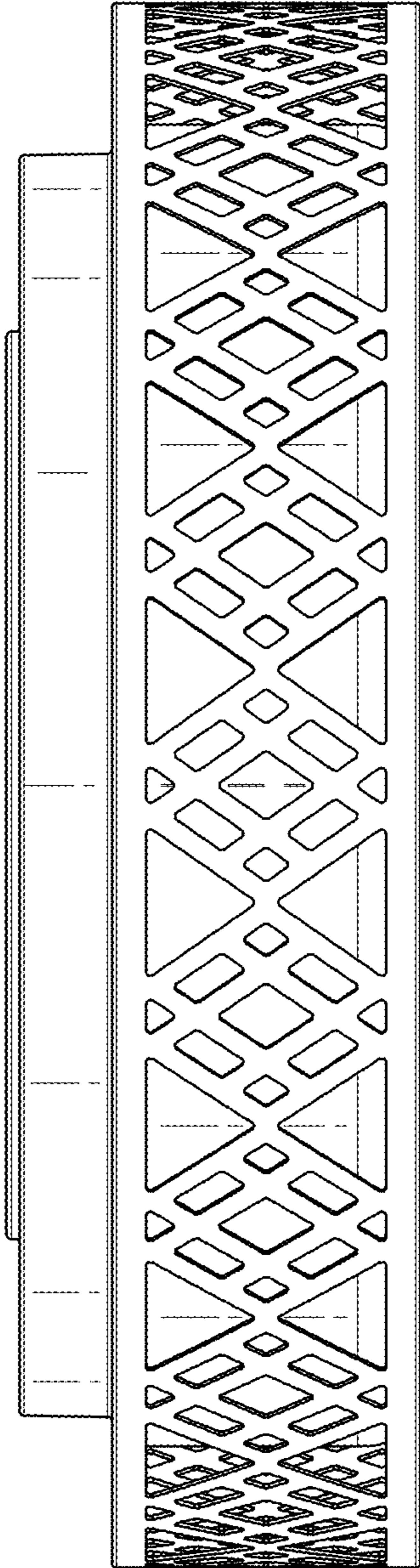


FIG. 4

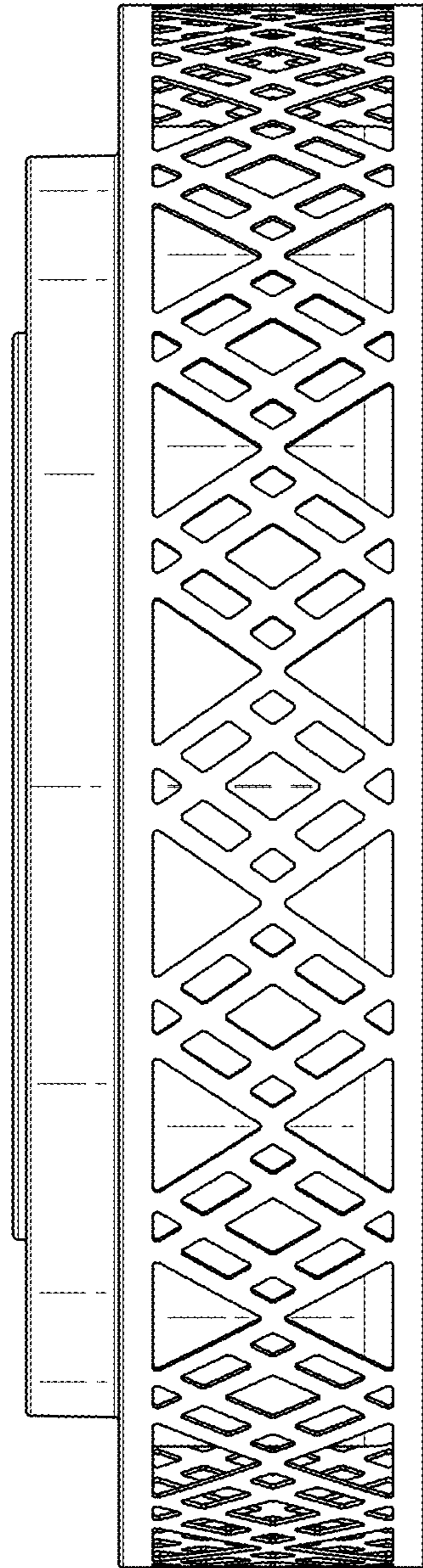


FIG. 5

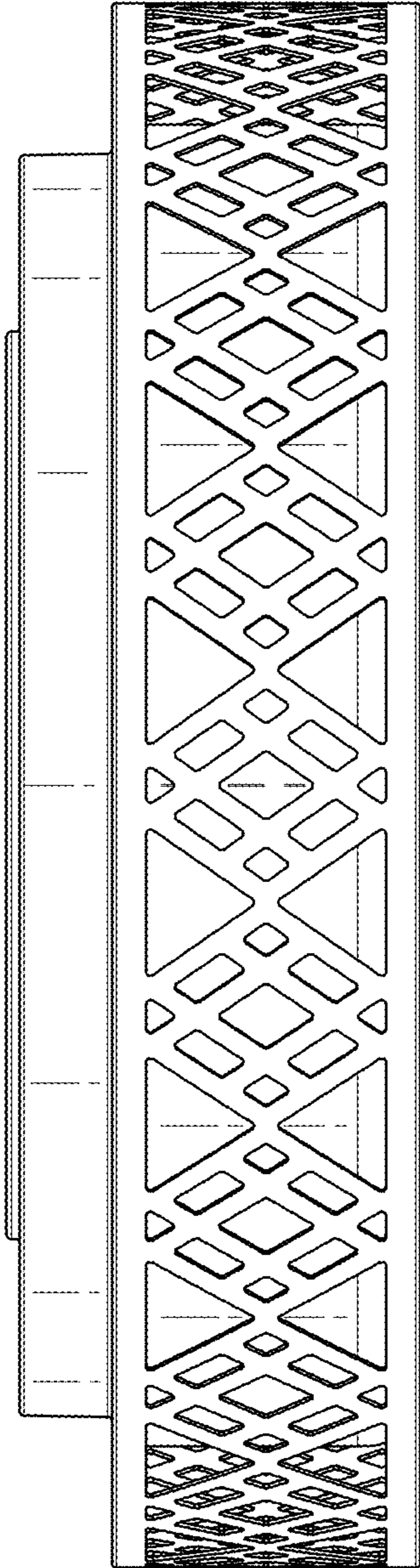


FIG. 6

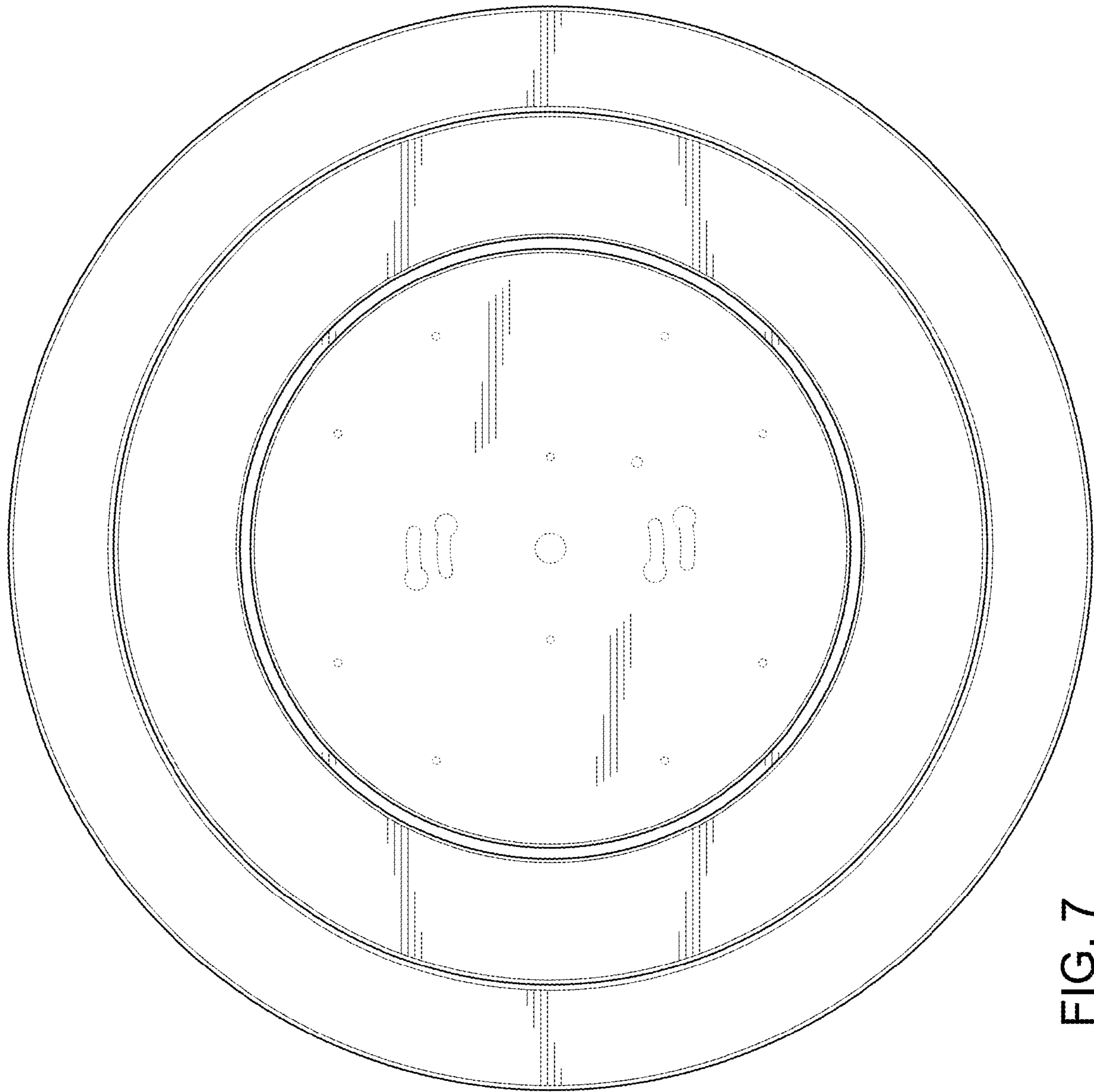


FIG. 7

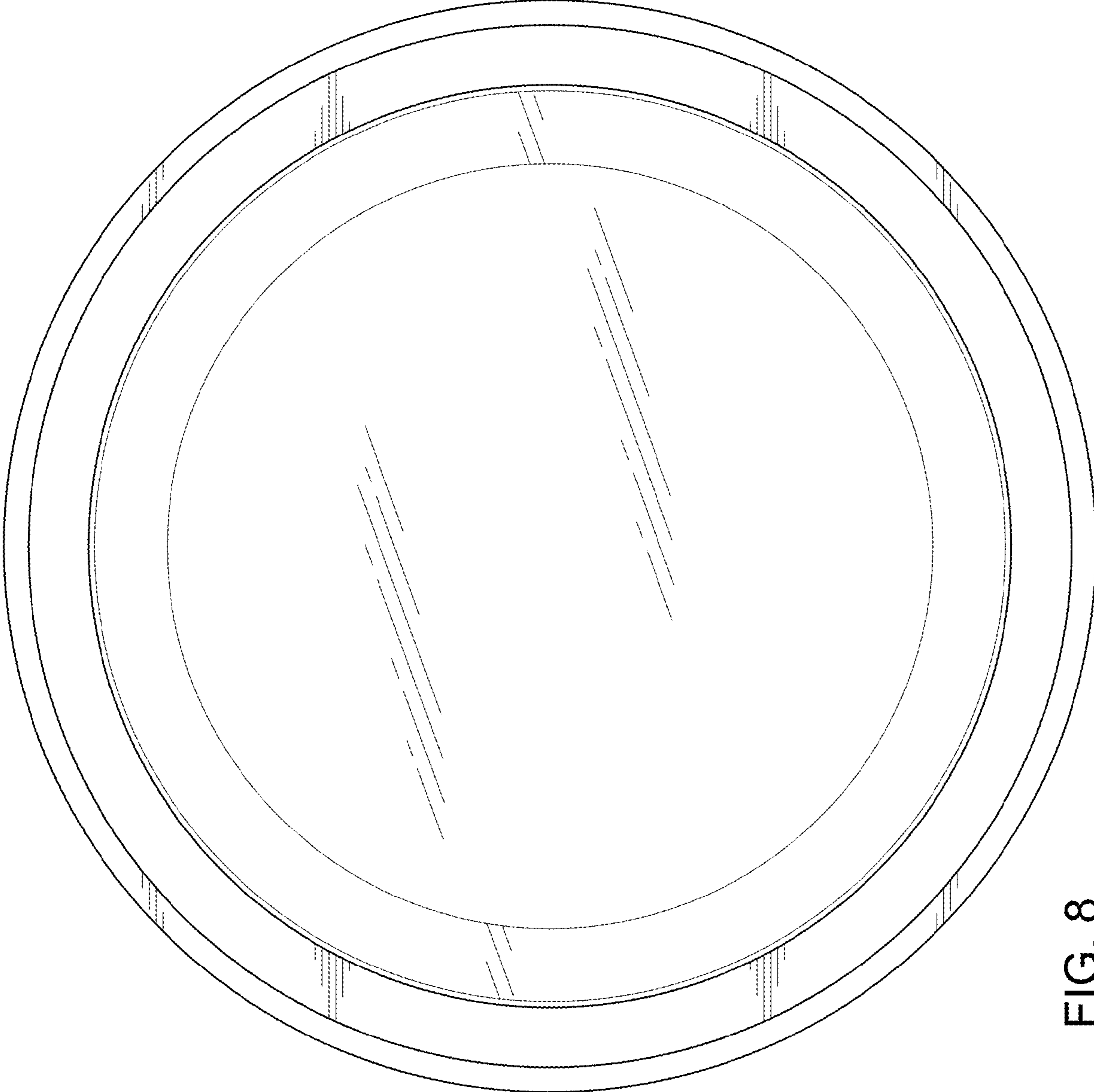


FIG. 8