



US00D920561S

(12) **United States Design Patent** (10) **Patent No.:** **US D920,561 S**
Wang et al. (45) **Date of Patent:** **** May 25, 2021**

(54) **SECURITY WALL LAMP**
(71) Applicant: **Jiawei Renewable Energy Co., Ltd.**,
Guangdong (CN)
(72) Inventors: **ChunBao Wang**, Shenzhen (CN);
JinLong Ma, Shenzhen (CN)
(73) Assignee: **Jiawei Renewable Energy Co., Ltd.**,
Guangdong (CN)
(**) Term: **15 Years**
(21) Appl. No.: **29/687,963**
(22) Filed: **Apr. 17, 2019**
(51) **LOC (13) Cl.** **26-03**
(52) **U.S. Cl.**
USPC **D26/87; D26/51**
(58) **Field of Classification Search**
USPC D26/67, 72, 80, 85, 88, 87, 40, 41, 51,
D26/92; D10/106.6, 106.8
CPC F21S 8/03; F21S 8/033; F21S 8/036; F21S
8/081; F21W 2111/02; F21W 2111/023;
F21W 2131/109
See application file for complete search history.

D694,939 S * 12/2013 Dolan D26/87
D713,588 S * 9/2014 Clark D26/85
9,551,481 B1 * 1/2017 Chen F21S 8/033
D837,438 S * 1/2019 Xie D26/87
10,212,778 B1 * 2/2019 Fu G06K 9/00912
2019/0170308 A1 * 6/2019 Yeh F21S 8/00
2019/0333349 A1 * 10/2019 Hsu F21V 21/26

OTHER PUBLICATIONS

Coach Smart Security Textured Black Metal and Glass Outdoor Wall Lantern Sconce by Maximus. Model #SPL11-07A1W4-BKT-K1 Available athomedepot.com as early as Jan. 23, 2017. (Year: 2017).*

* cited by examiner

Primary Examiner — Clare E Heflin

(74) *Attorney, Agent, or Firm* — Banner & Witcoff, Ltd.

(57) **CLAIM**

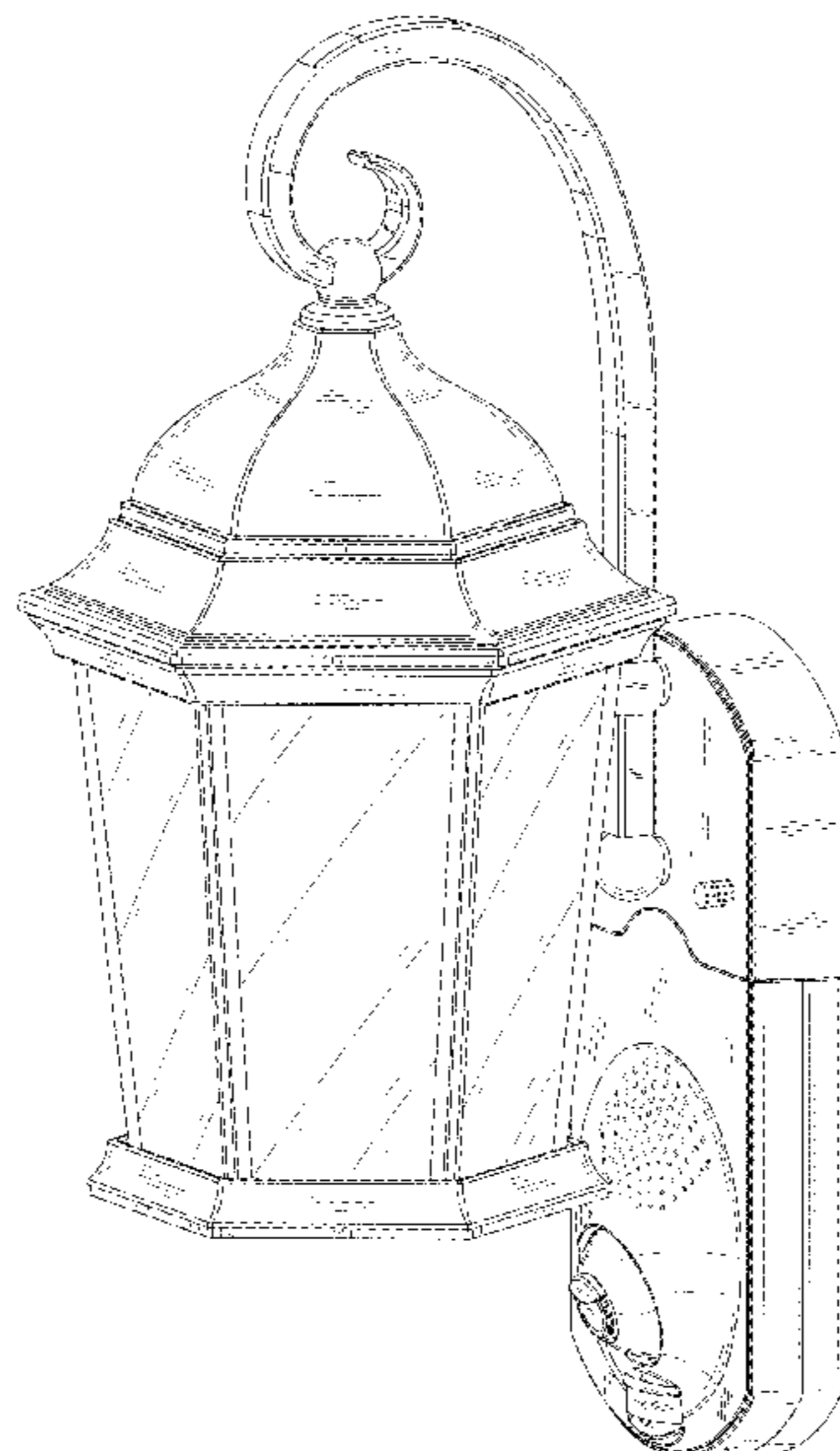
The ornamental design for a security wall lamp, as shown and described.

DESCRIPTION

FIG. 1 is a front elevational view of a security wall lamp showing our new design;
FIG. 2 is a rear elevational view thereof;
FIG. 3 is a left side elevational view thereof;
FIG. 4 is a right side elevational view thereof;
FIG. 5 is a top plan view thereof;
FIG. 6 is a bottom plan view thereof;
FIG. 7 is a front, right, and top perspective view thereof; and,
FIG. 8 is a front, left, and bottom perspective view thereof. The broken lines immediately adjacent the shaded areas represent the bounds of the claimed design while all other broken lines are directed to environment and are for illustrative purposes only; the broken lines form no part of the claimed design.

1 Claim, 8 Drawing Sheets

(56) **References Cited**
U.S. PATENT DOCUMENTS
D129,831 S * 10/1941 Davidson D26/67
5,442,532 A * 8/1995 Boulos F21V 23/0442
362/276
D387,458 S * 12/1997 Ruggles D26/67
D439,362 S * 3/2001 Berry D26/87
6,296,377 B1 * 10/2001 Wilson F21V 21/02
362/147
6,943,687 B2 * 9/2005 Lee G08B 13/19
250/338.1
D549,381 S * 8/2007 Curtin D26/67
7,641,366 B1 * 1/2010 Sibalich F21V 23/0442
362/371
D694,937 S * 12/2013 Dolan D26/87



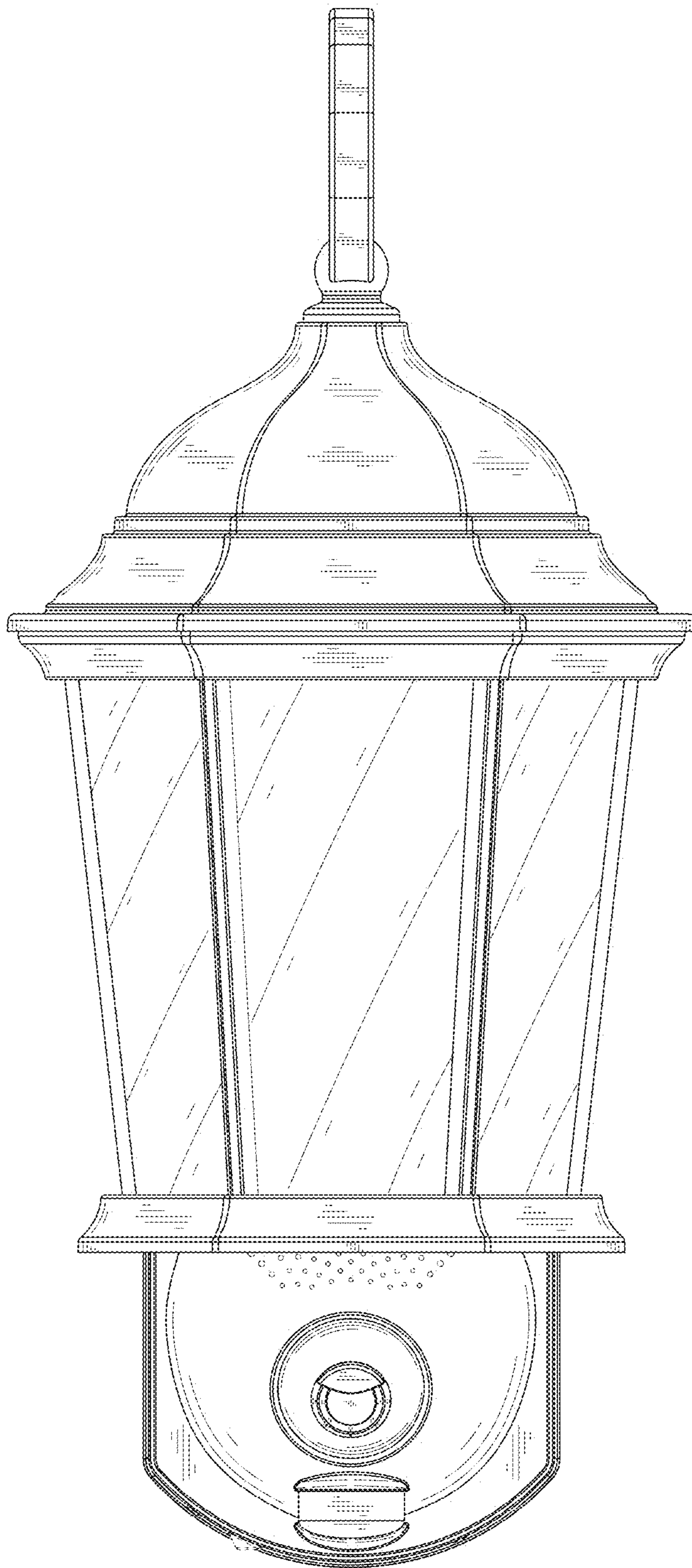


FIG. 1

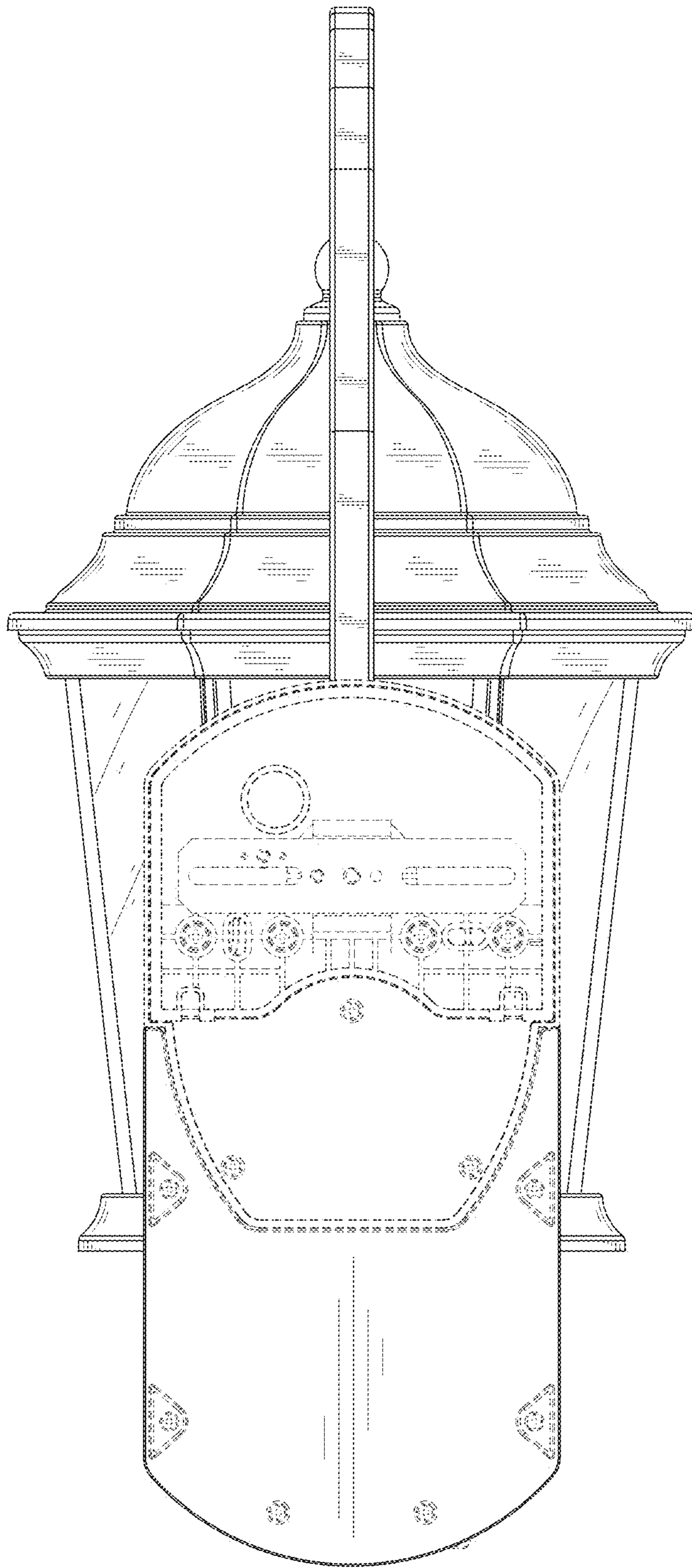


FIG. 2

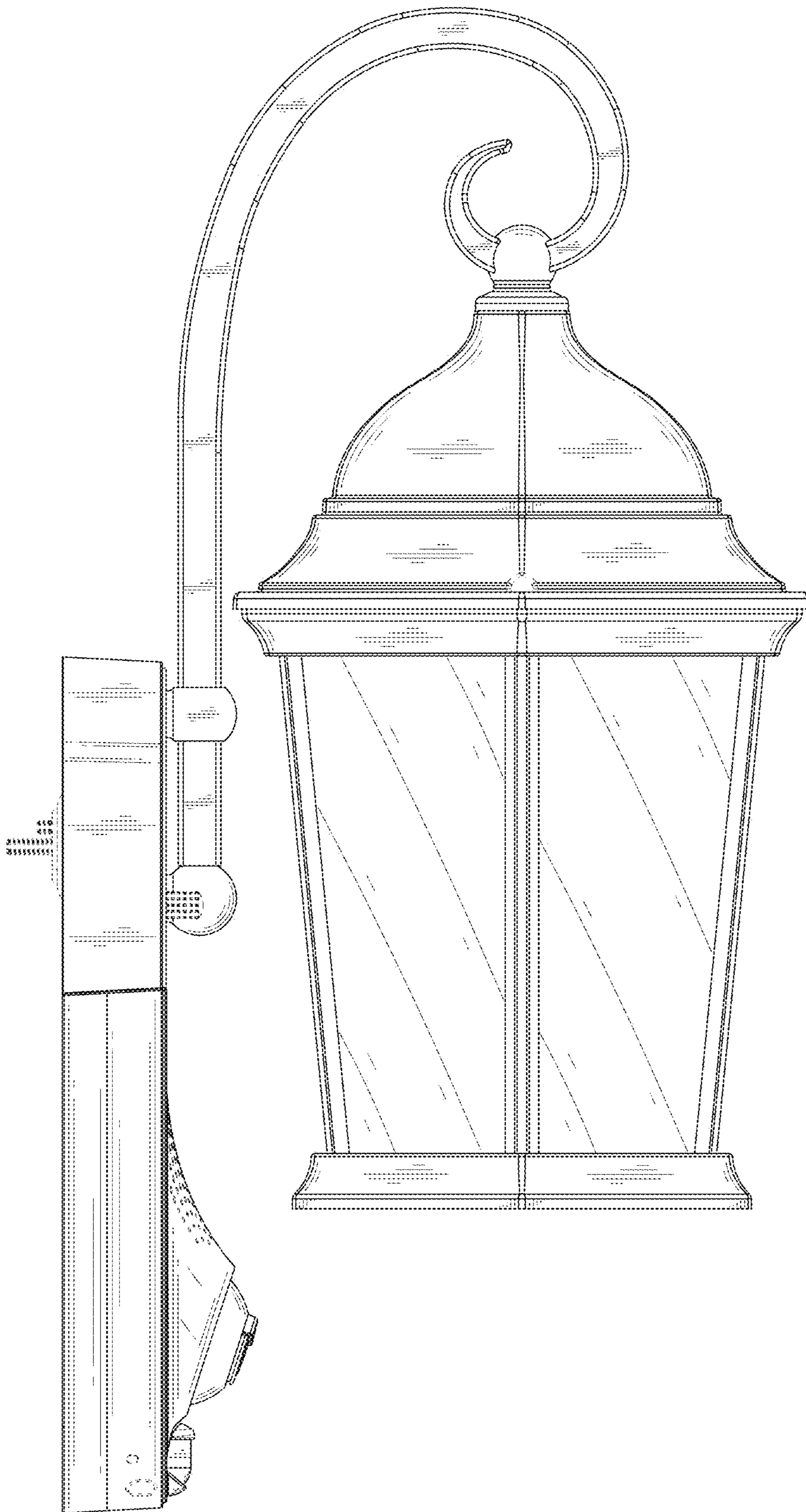


FIG. 3

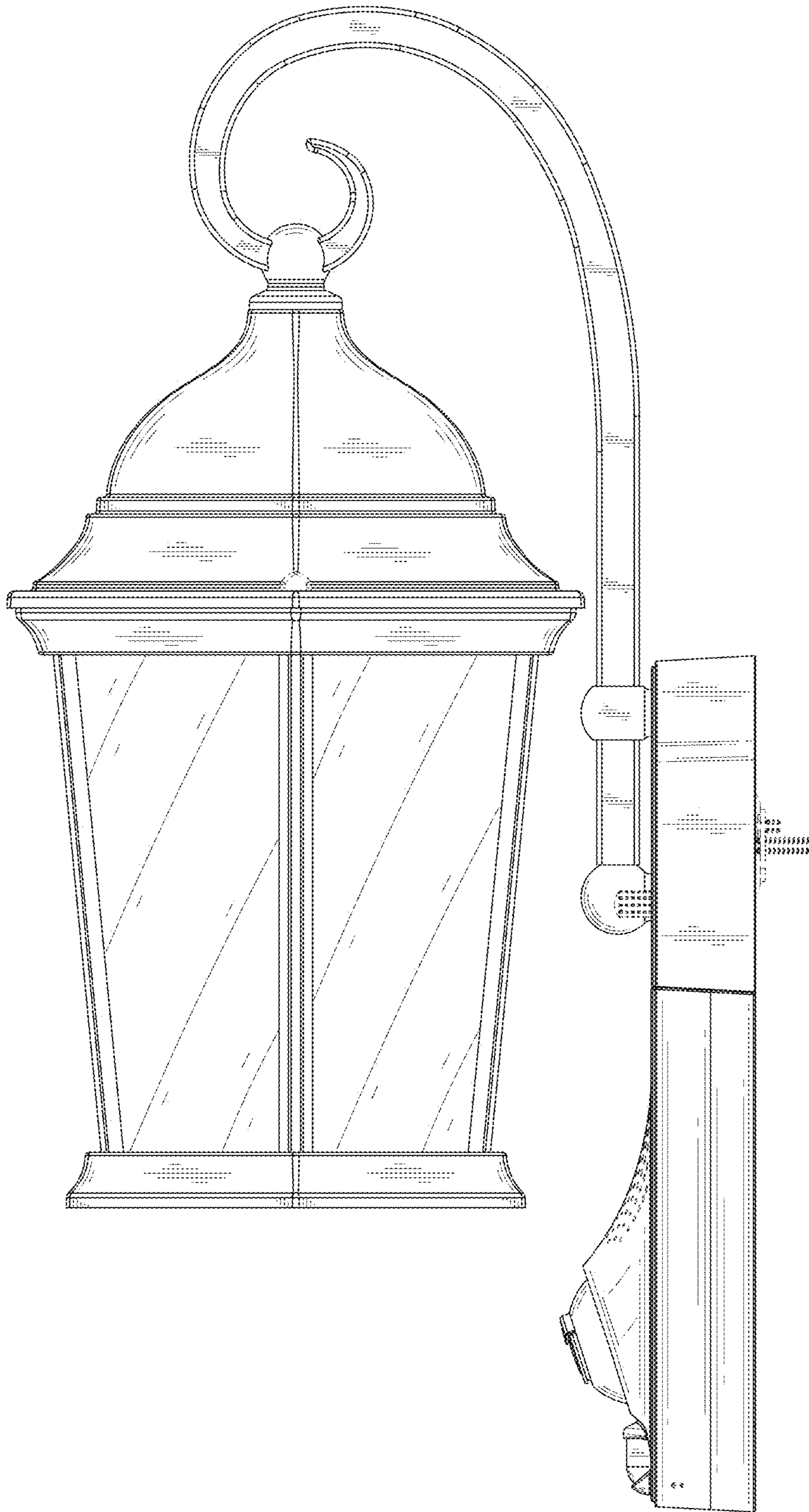


FIG. 4

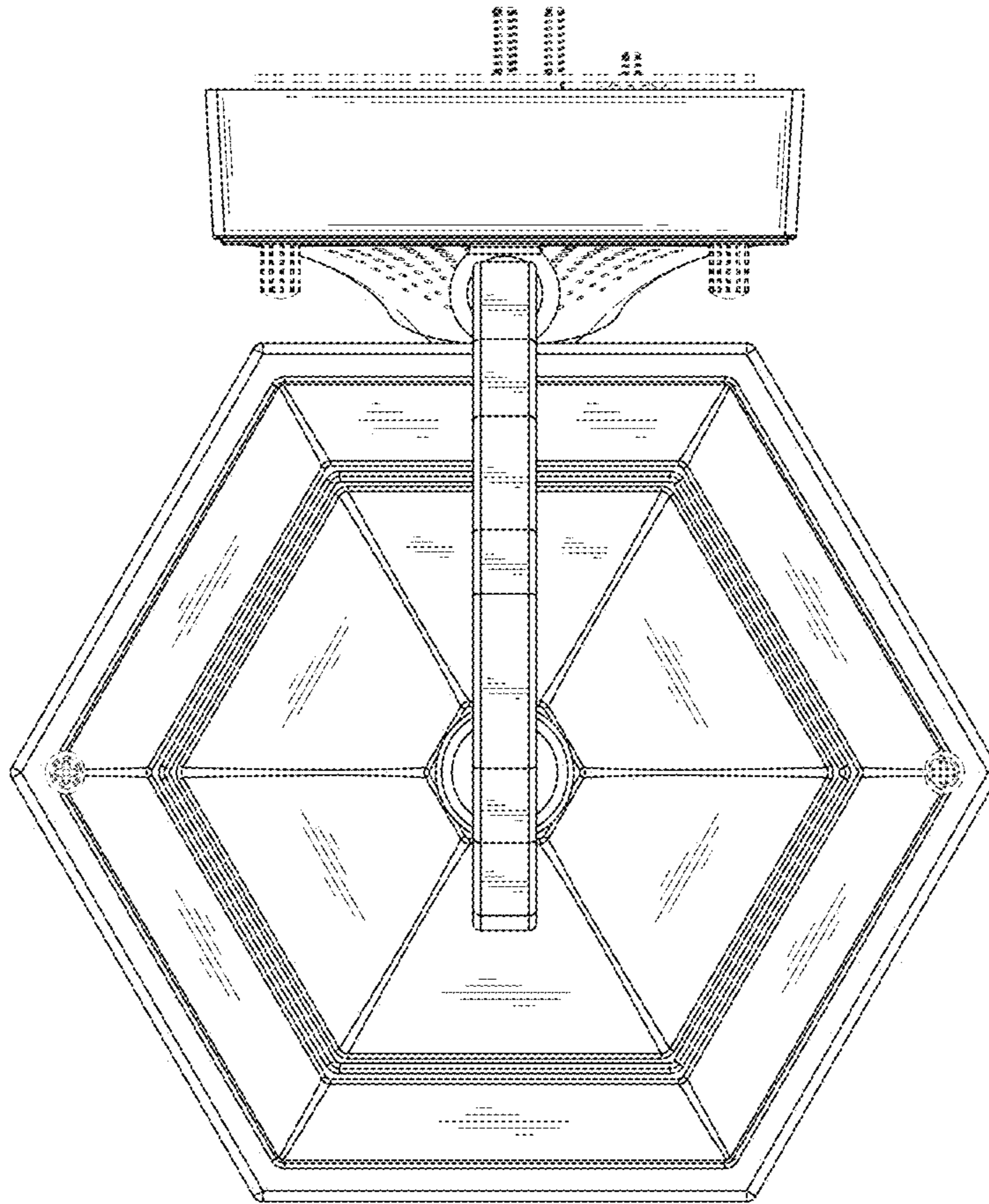


FIG. 5

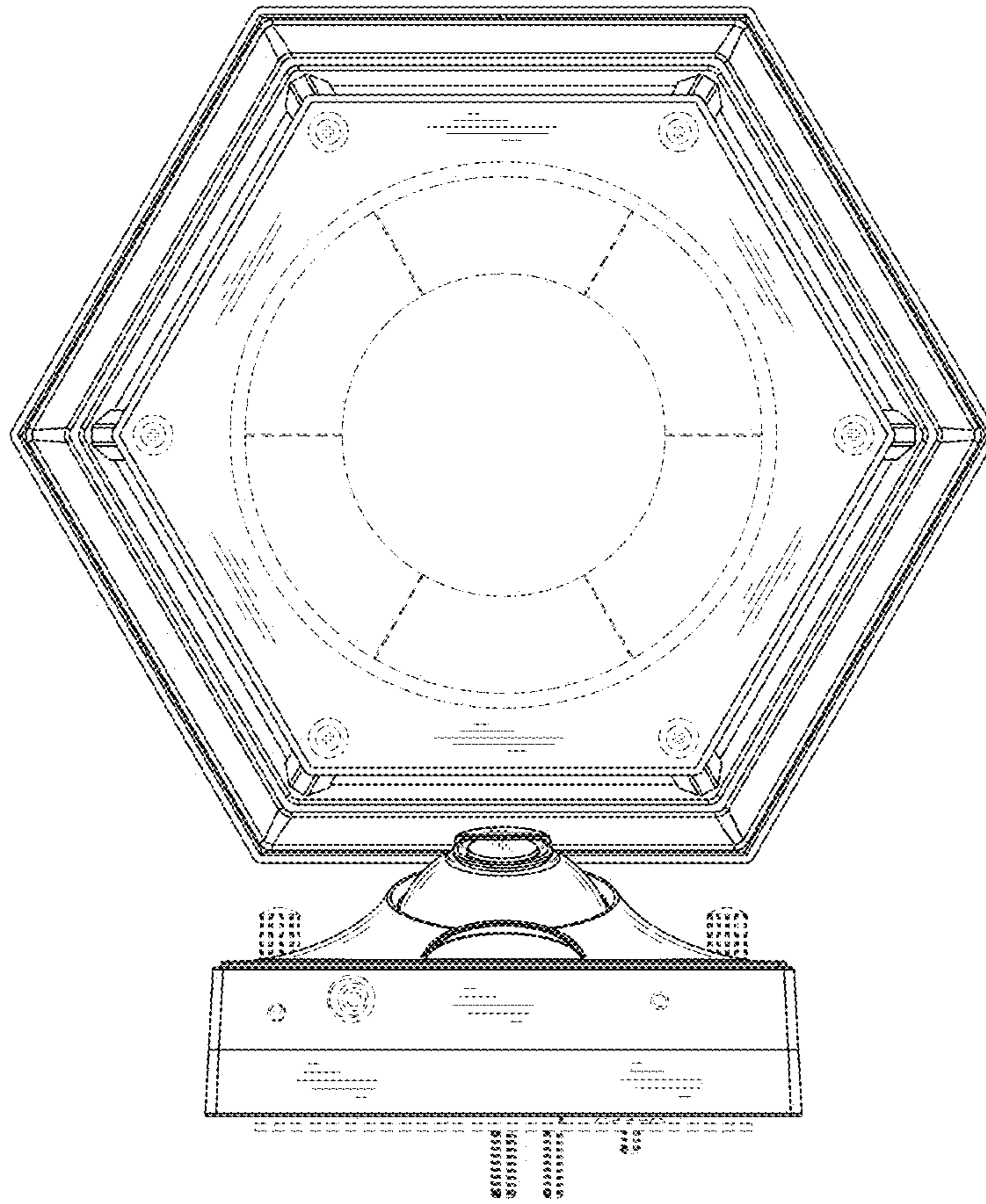


FIG. 6

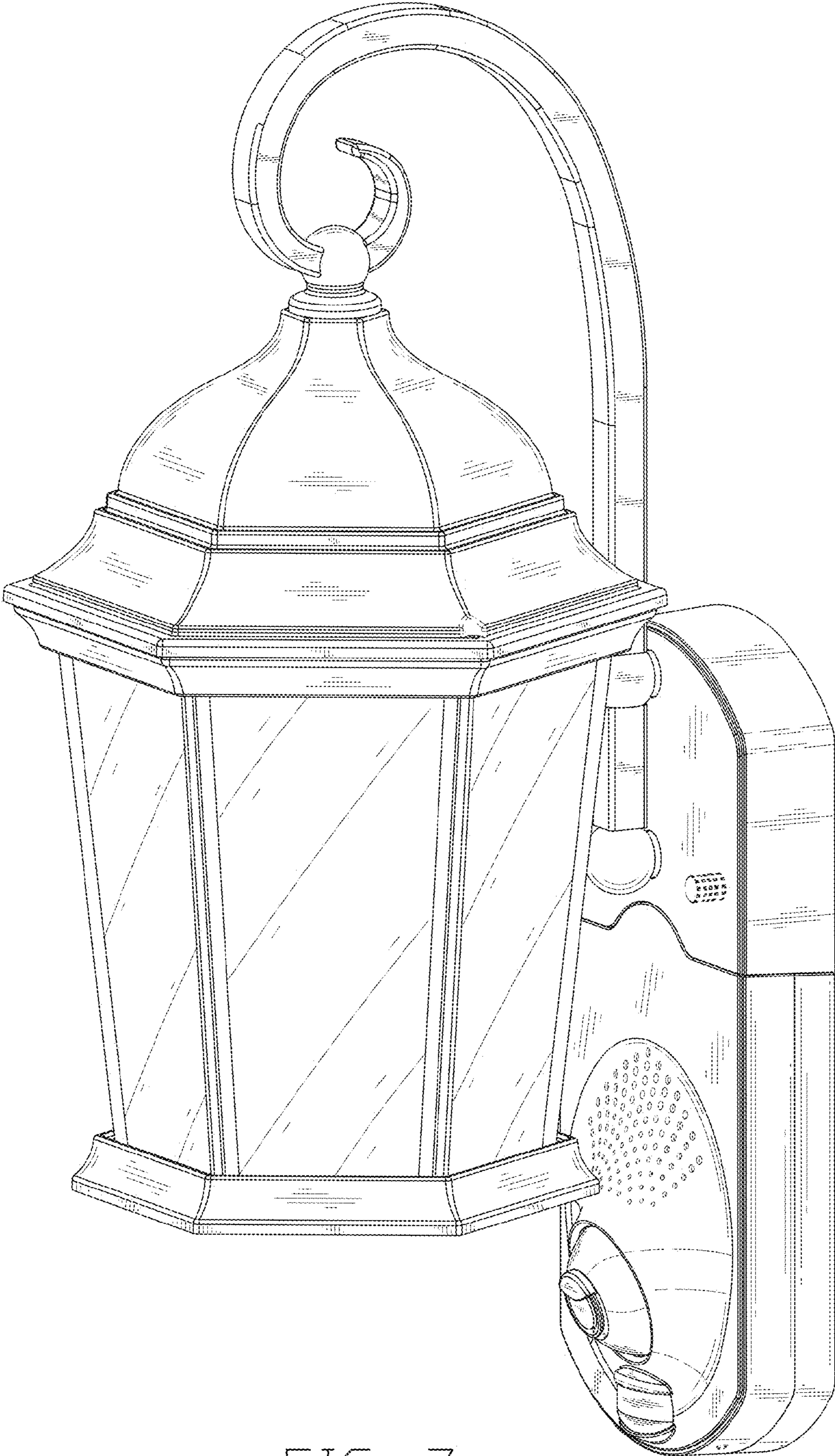


FIG. 7

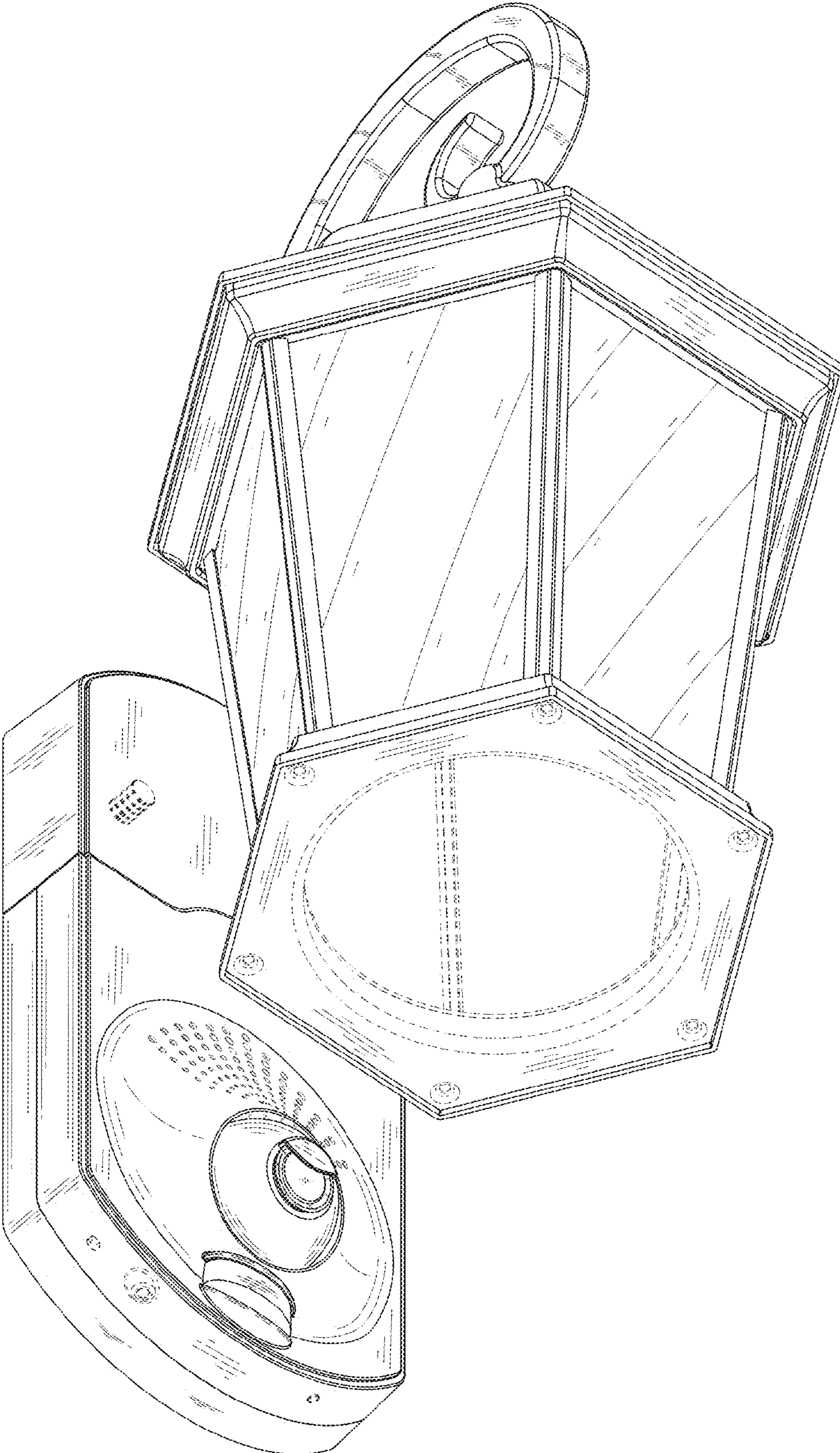


FIG. 8