



(12) **United States Design Patent** (10) **Patent No.:** **US D920,559 S**
Hendifar et al. (45) **Date of Patent:** **** May 25, 2021**

(54) **LIGHT FIXTURE**

(71) Applicant: **APPARATUS LLC**, New York, NY (US)
 (72) Inventors: **Gabriel Hendifar**, New York, NY (US); **Jeremy R. Anderson**, New York, NY (US)
 (73) Assignee: **APPARATUS LLC**, New York, NY (US)
 (**) Term: **15 Years**

(21) Appl. No.: **29/705,863**
 (22) Filed: **Sep. 16, 2019**
 (51) **LOC (13) Cl.** **26-03**
 (52) **U.S. Cl.**
 USPC **D26/84; D26/83**
 (58) **Field of Classification Search**
 USPC D26/72, 80-86, 88, 90
 CPC F21S 8/04; F21S 8/043; F21S 8/046; F21S 8/06; F21S 8/061; F21S 8/063; F21S 8/065; F21S 8/066; F21S 8/068
 See application file for complete search history.

(56) **References Cited**

U.S. PATENT DOCUMENTS

248,424 A *	10/1881	Edison	F21S 8/065
				362/241
D50,193 S *	1/1917	Guth	D26/84
D134,482 S *	12/1942	Ganger	D26/81
2,916,250 A *	12/1959	Wolar	F21V 21/03
				248/345
D304,768 S *	11/1989	Dicola	D26/84
D541,970 S *	5/2007	Blackman	D26/81
D565,779 S *	4/2008	Meise	D26/84
D643,962 S *	8/2011	Verelst	D26/83
D767,197 S	9/2016	Anderson et al.		
D779,708 S	2/2017	Anderson et al.		
D780,979 S *	3/2017	Urquiola	D26/88

(Continued)

OTHER PUBLICATIONS

Trapeze 2 Mobile Pendant Spec Sheet dated ©2014 from apparatusstudio.com. (Year: 2014).*
 (Continued)

Primary Examiner — Clare E Heflin
 (74) *Attorney, Agent, or Firm* — Gottlieb, Rackman & Reisman, P.C.

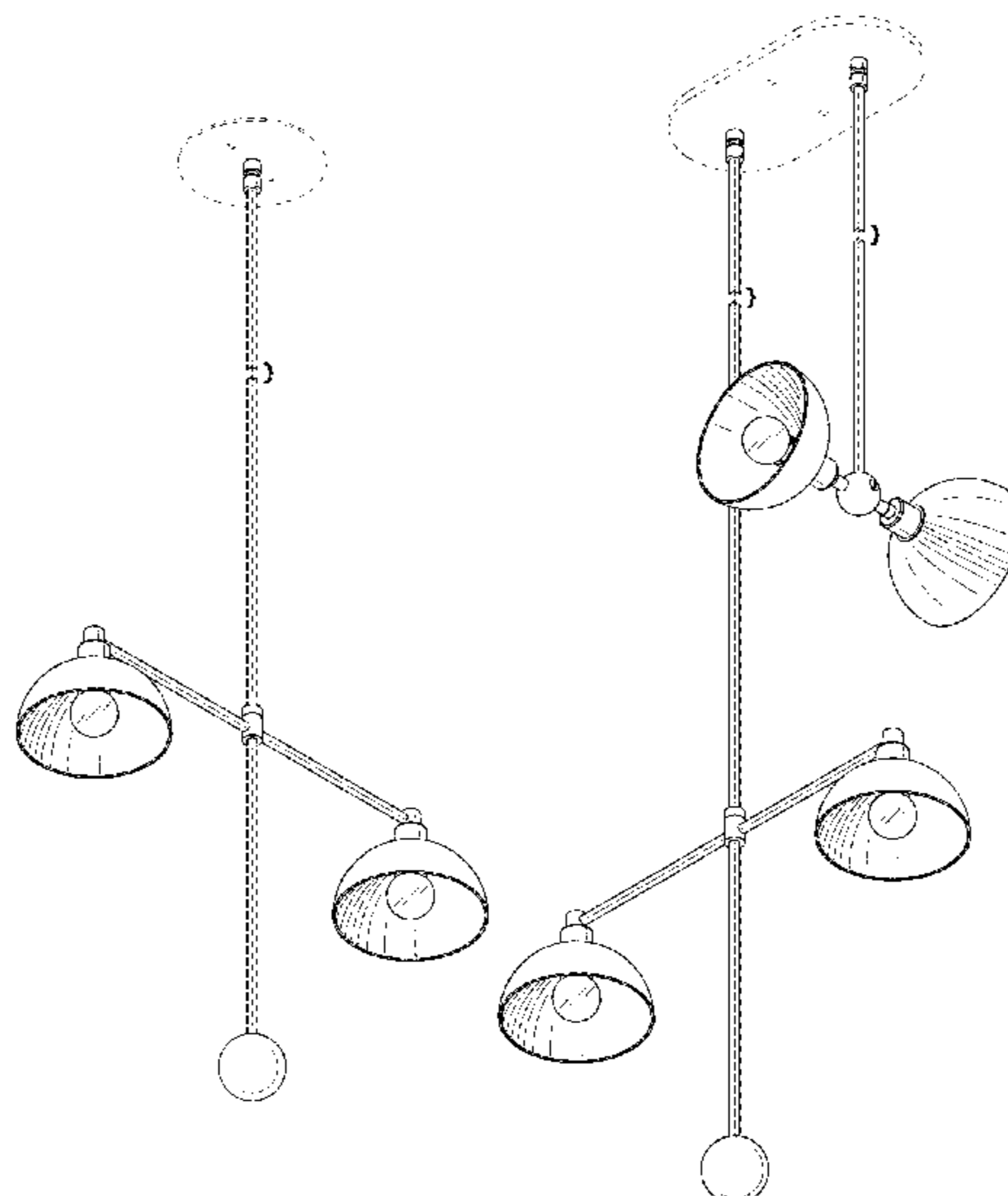
(57) **CLAIM**

The ornamental design for a light fixture, as shown and described.

DESCRIPTION

FIG. 1 is a top perspective view showing our new design; FIG. 2 is a bottom perspective view thereof; FIG. 3 is a front elevational view thereof; FIG. 4 is a rear elevational view thereof; FIG. 5 is a left side elevational view thereof; FIG. 6 is a right side elevational view thereof; FIG. 7 is a top plan view thereof; FIG. 8 is a bottom plan view thereof; FIG. 9 is a top perspective of a second embodiment thereof; FIG. 10 is a bottom perspective view thereof; FIG. 11 is a front elevational view thereof; FIG. 12 is a rear elevational view thereof; FIG. 13 is a left side elevational view thereof; FIG. 14 is a right side elevational view thereof; FIG. 15 is a top plan view thereof; and, FIG. 16 is a bottom plan view thereof. The break lines in FIGS. 1-6 and 9-14 are to indicate that the appearance of any portion of the LIGHT FIXTURE between the break lines forms no part of the claimed design. The broken lines in FIGS. 1-16 illustrate portions of the light fixture that form no part of the claimed design.

1 Claim, 14 Drawing Sheets



(56)

References Cited

U.S. PATENT DOCUMENTS

D791,388 S * 7/2017 Sonneman D26/90
D792,633 S * 7/2017 Sonneman D26/90
D793,605 S * 8/2017 Cartwright D26/81
D806,304 S * 12/2017 Amato D26/81
D812,800 S * 3/2018 Martin D26/81
D828,607 S * 9/2018 Sonneman D26/81
D828,945 S * 9/2018 Crocker D26/81
D857,965 S * 8/2019 Amato D26/81
D862,767 S * 10/2019 Pomputius D26/81
D889,724 S * 7/2020 Richardson D26/81
D895,191 S * 9/2020 Tang D26/88
2014/0334140 A1* 11/2014 Chiu F21S 6/005
362/217.17
2017/0198895 A1* 7/2017 Sonneman F21S 8/065

OTHER PUBLICATIONS

Trapeze 4 Mobile Pendant Spec Sheet dated ©2014 from apparatusstudio.com. (Year: 2014).*
Apparatus LLC 2014 Catalog; Trapeze; apparatusstudio.com; New York, NY.

* cited by examiner

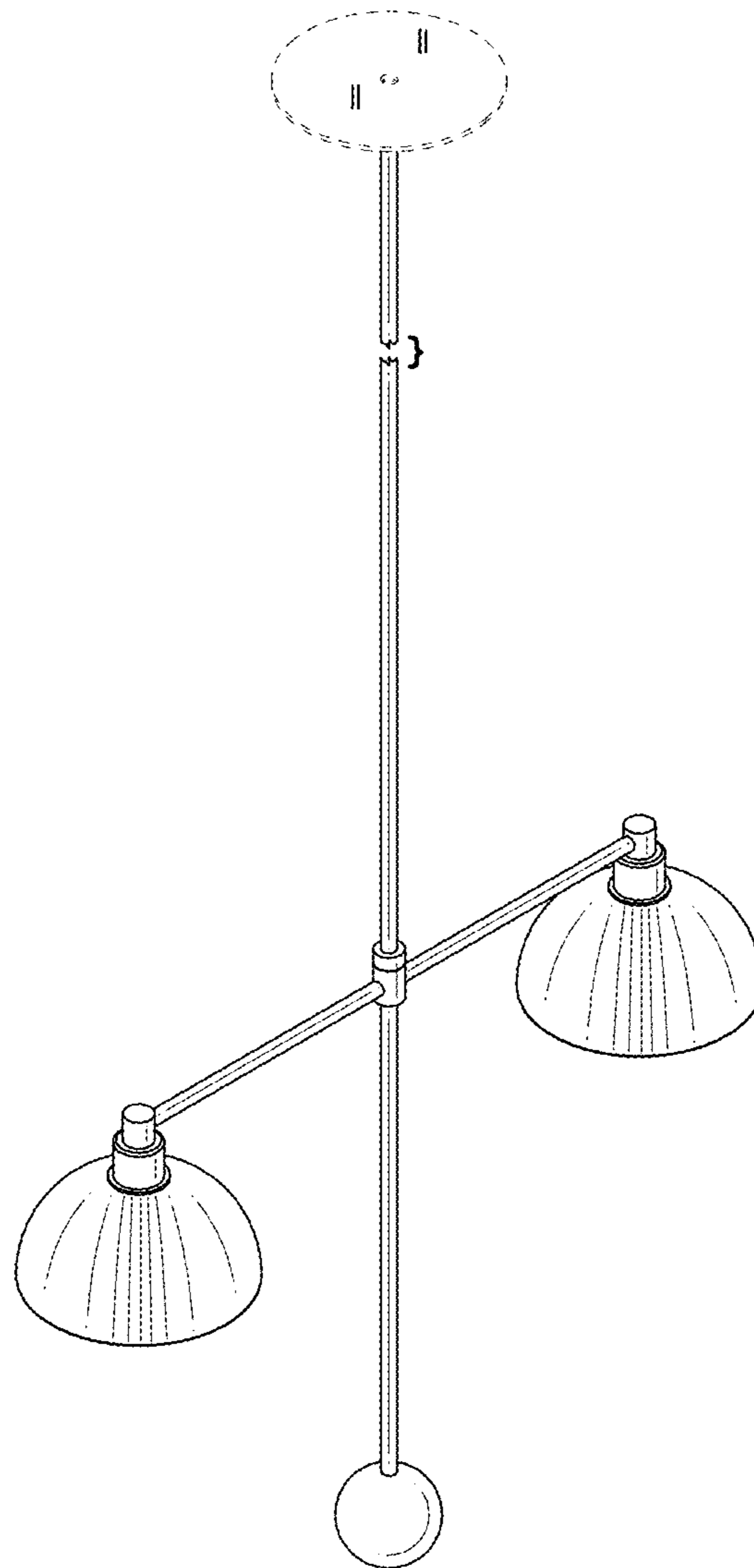


FIG. 1

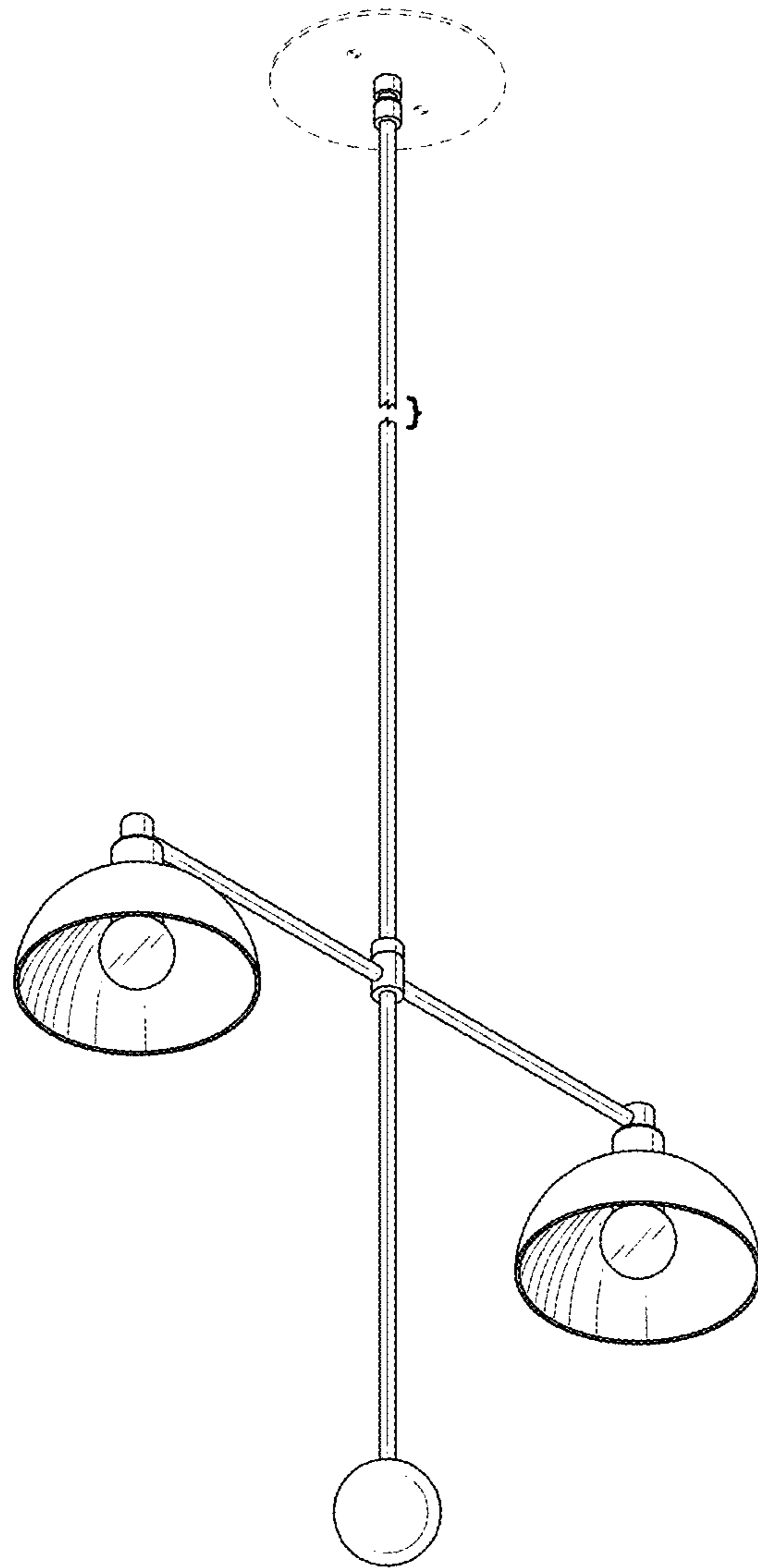


FIG. 2

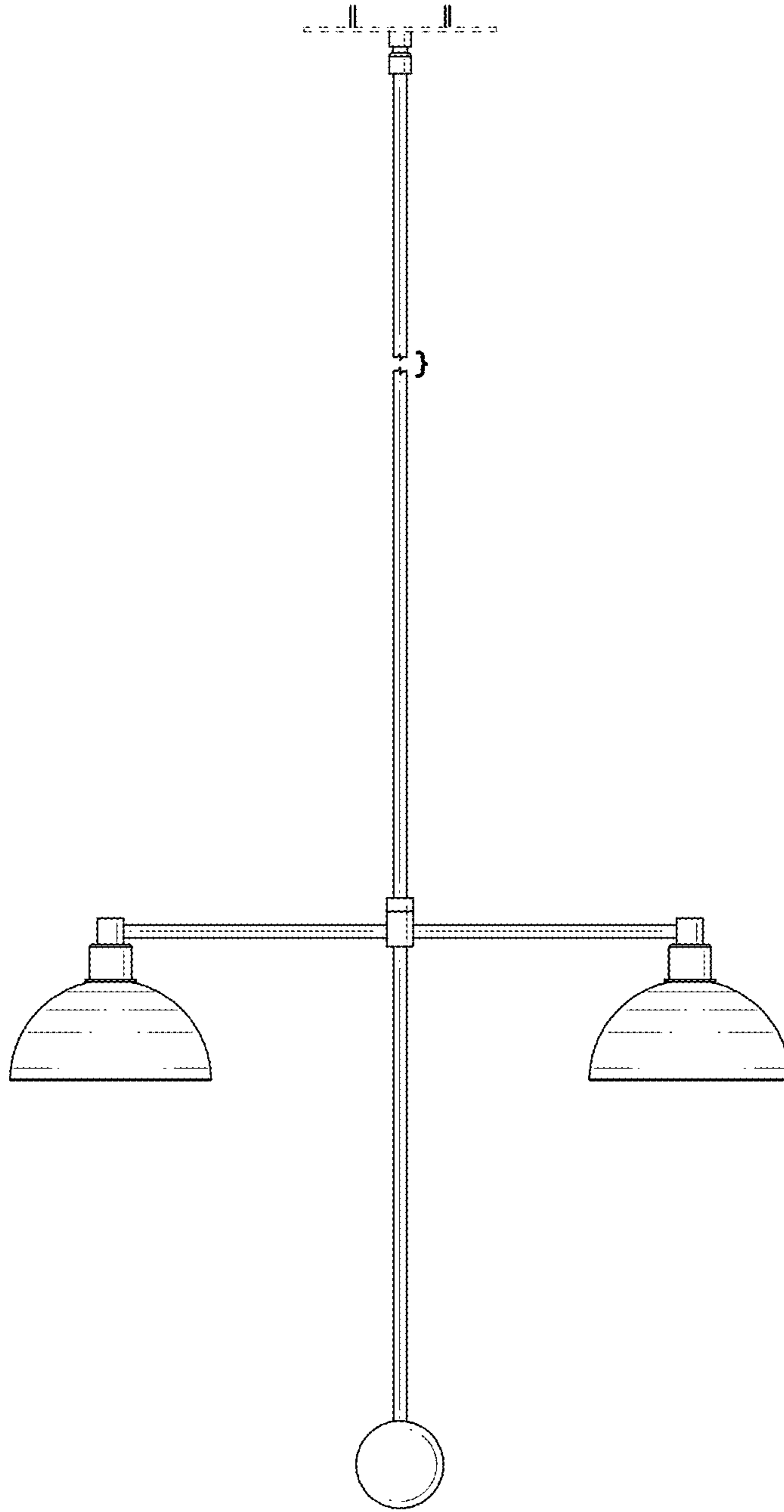


FIG. 3

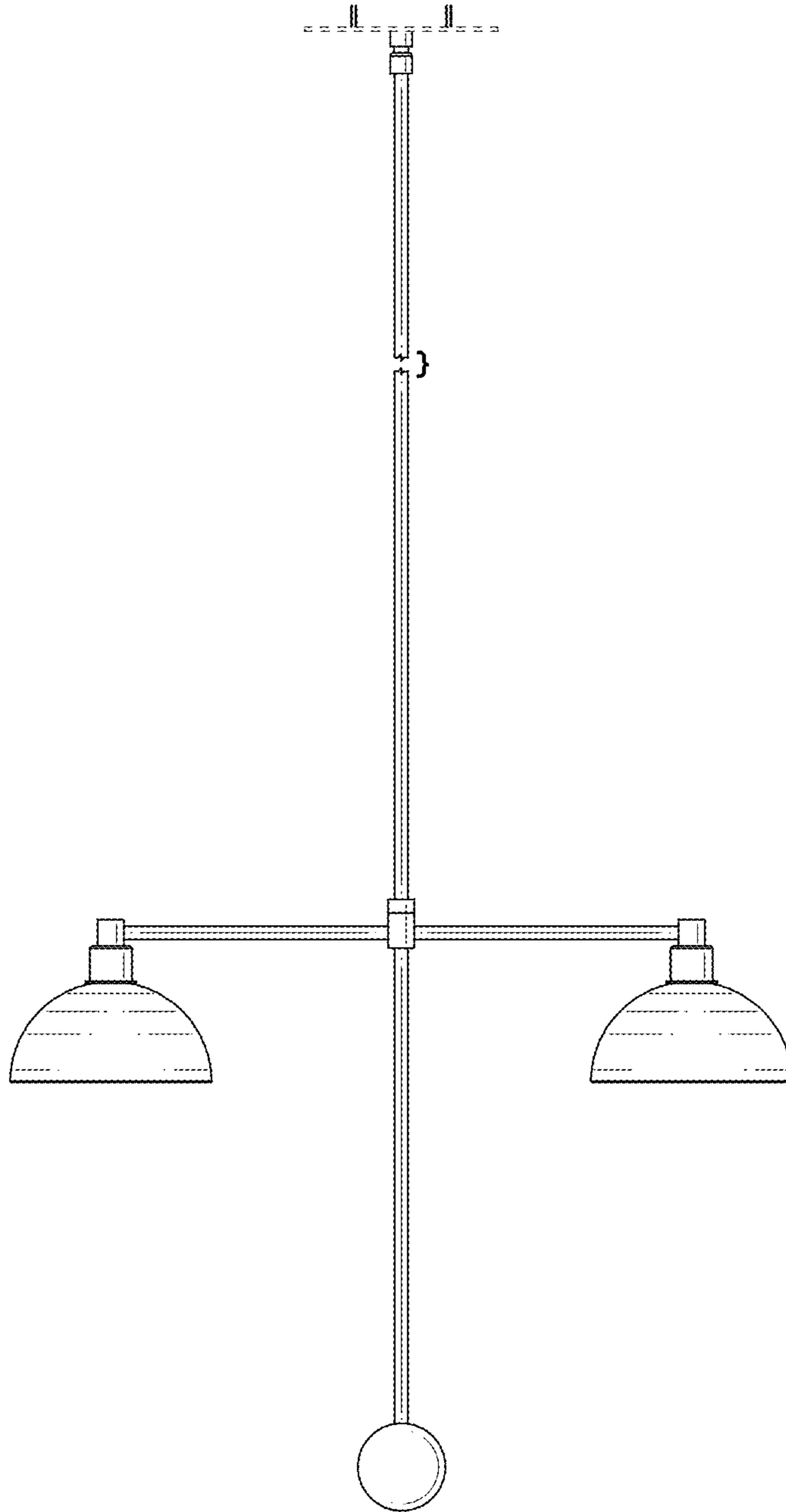


FIG. 4

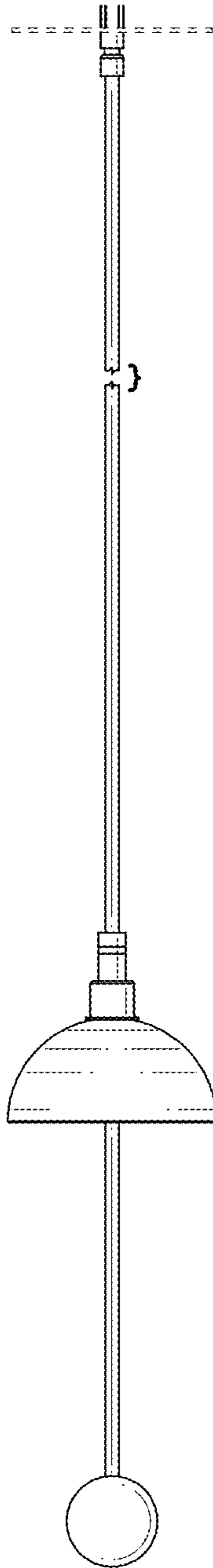


FIG. 5

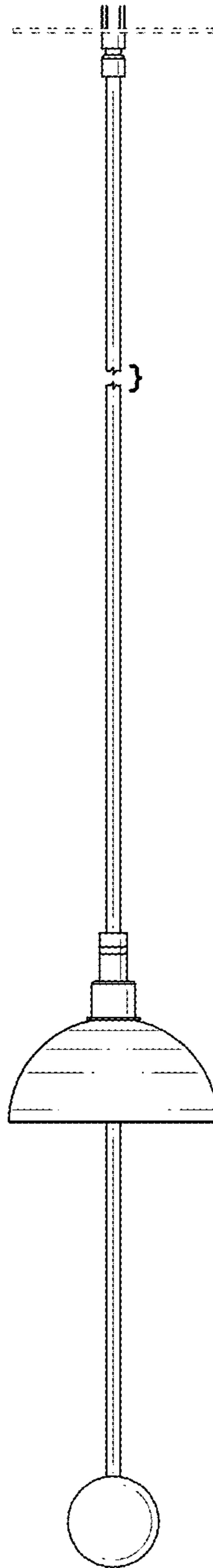


FIG. 6

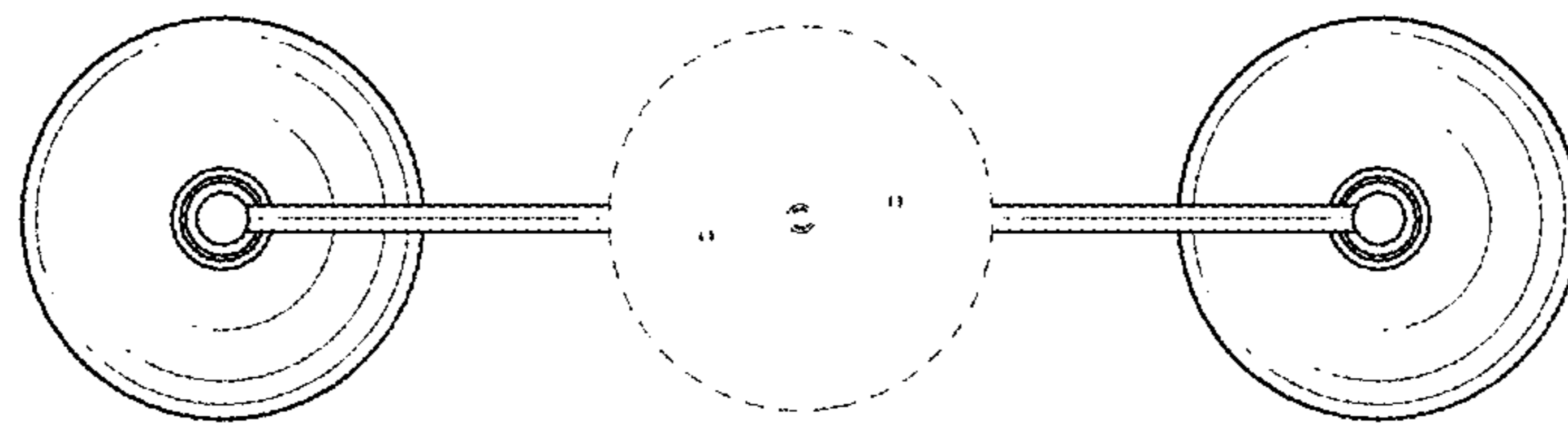


FIG. 7

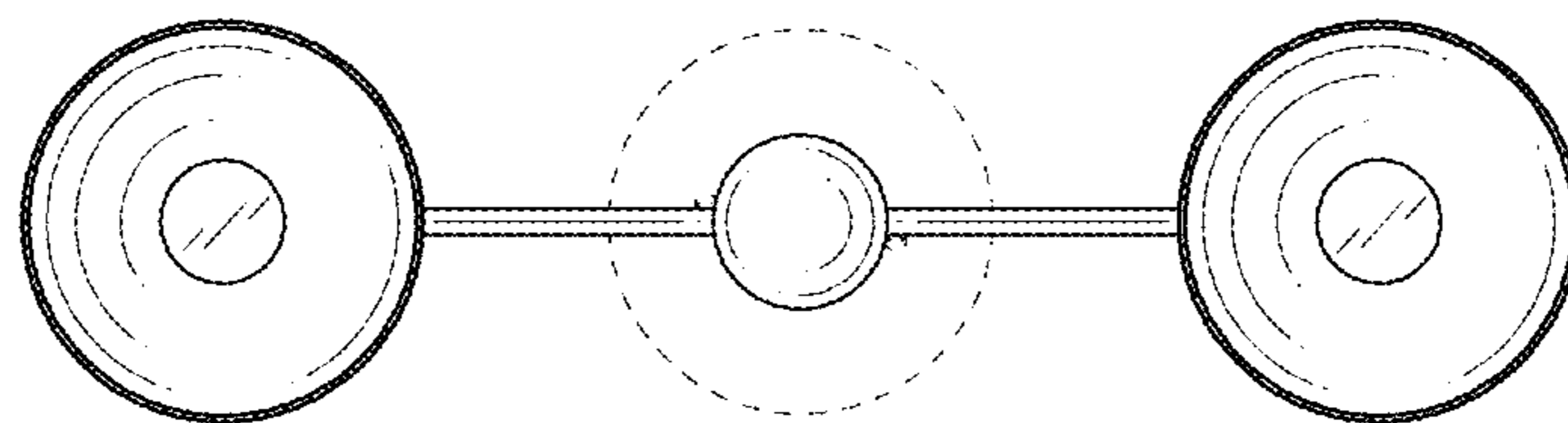


FIG. 8

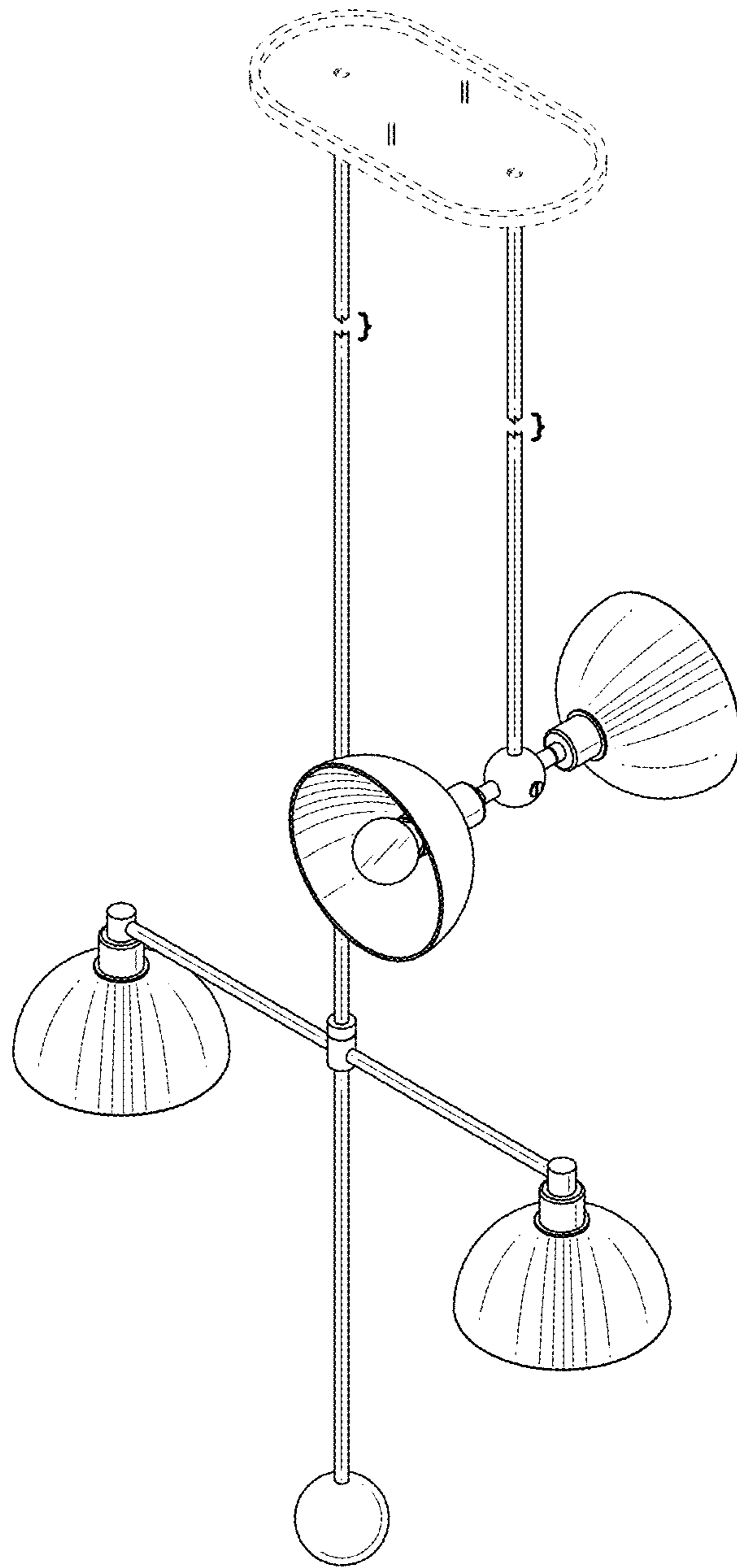


FIG. 9

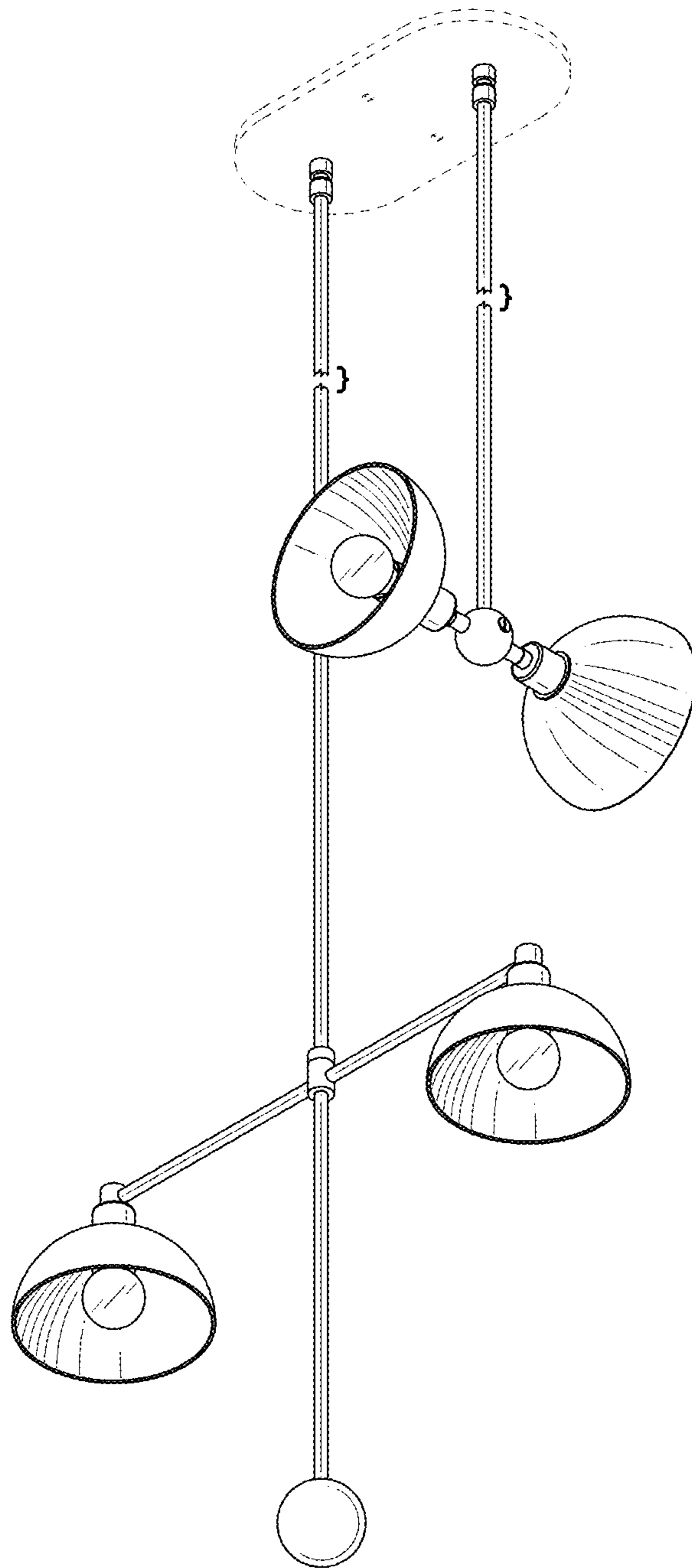


FIG. 10

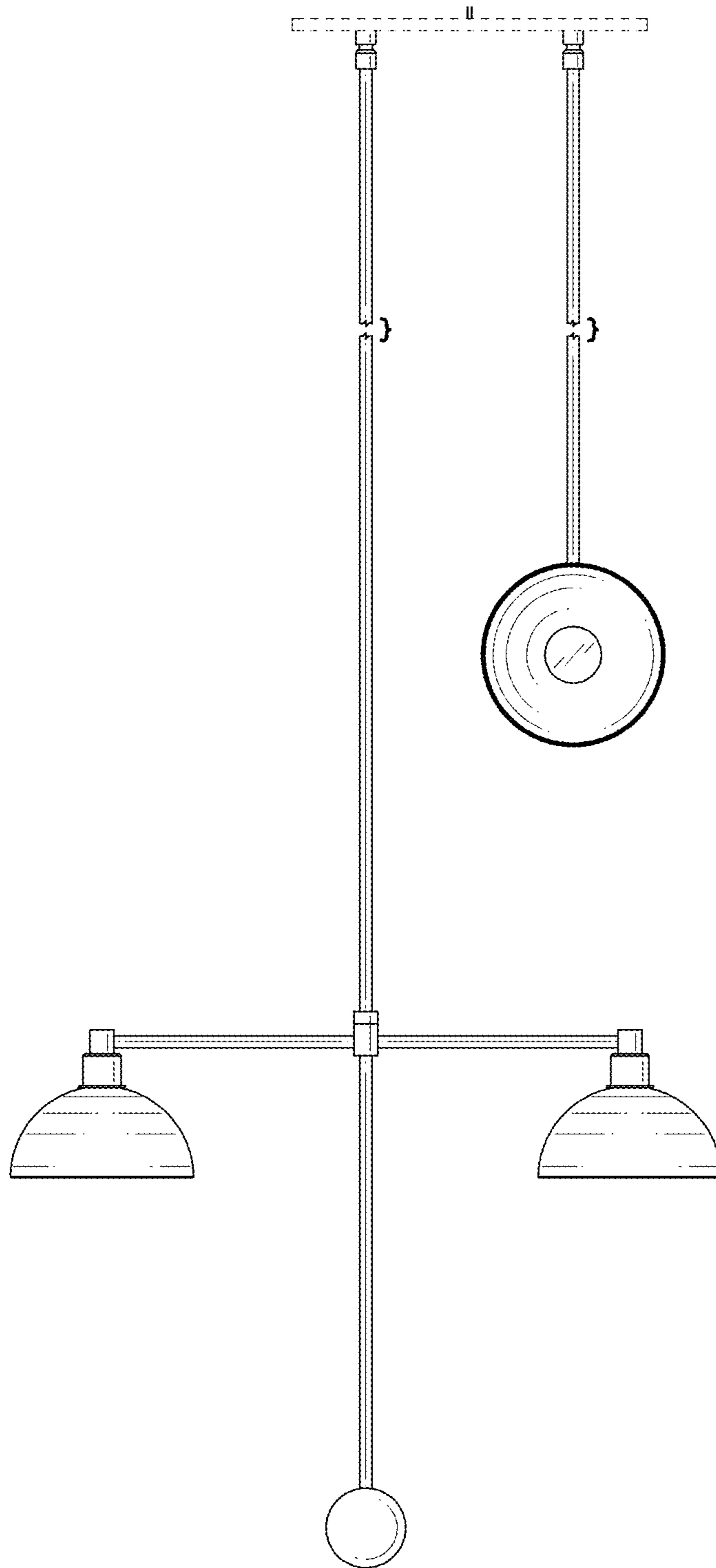


FIG. 11

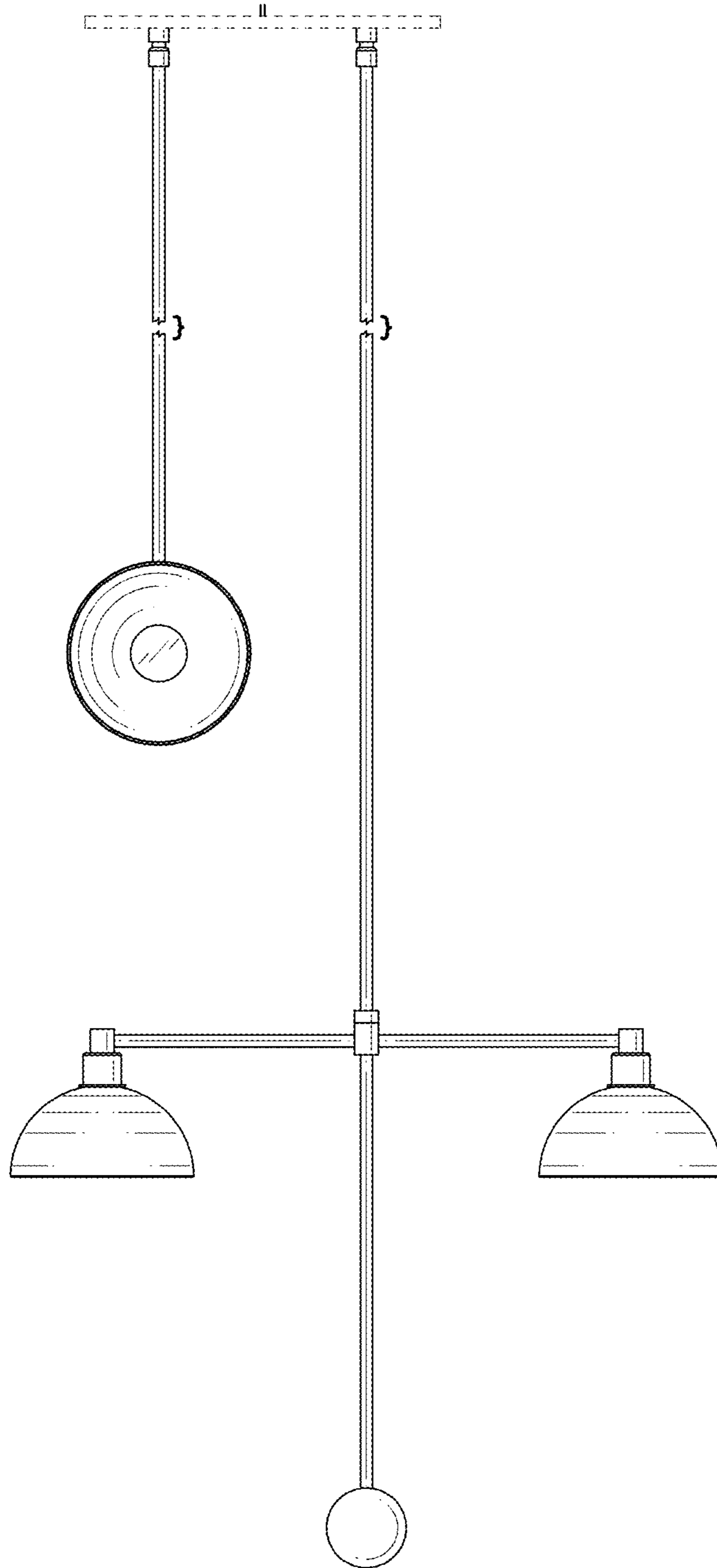


FIG. 12

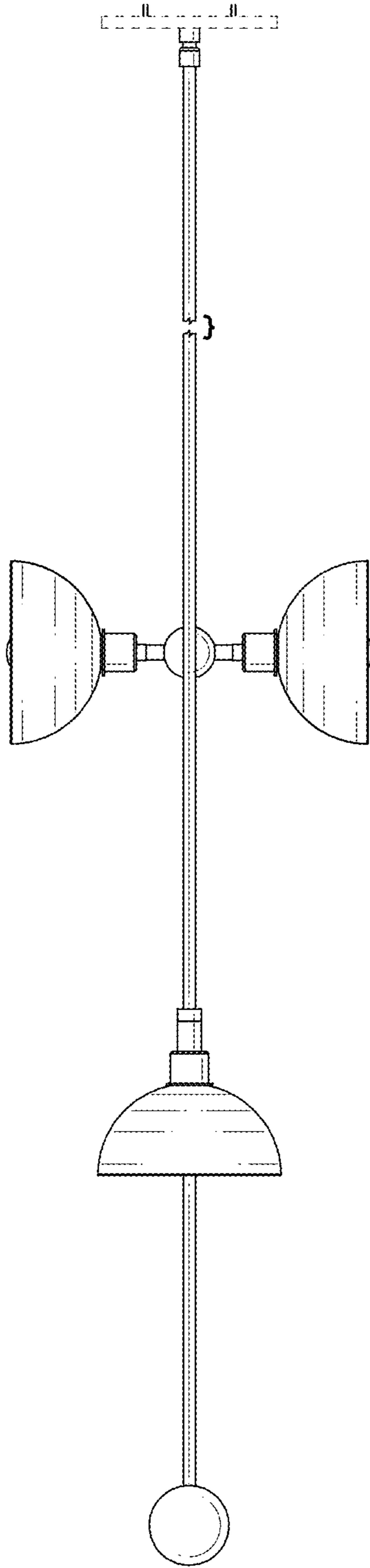


FIG. 13

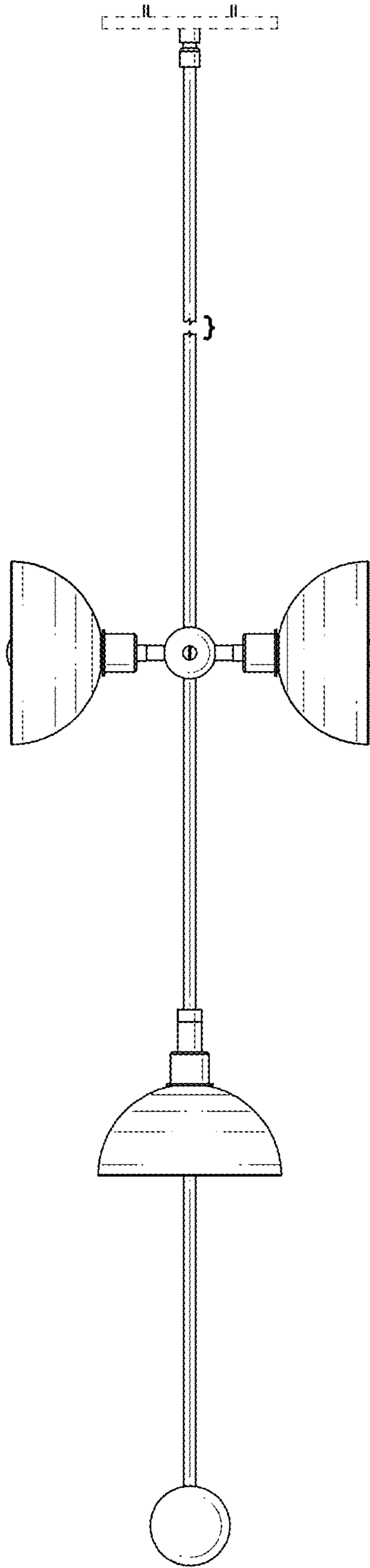


FIG. 14

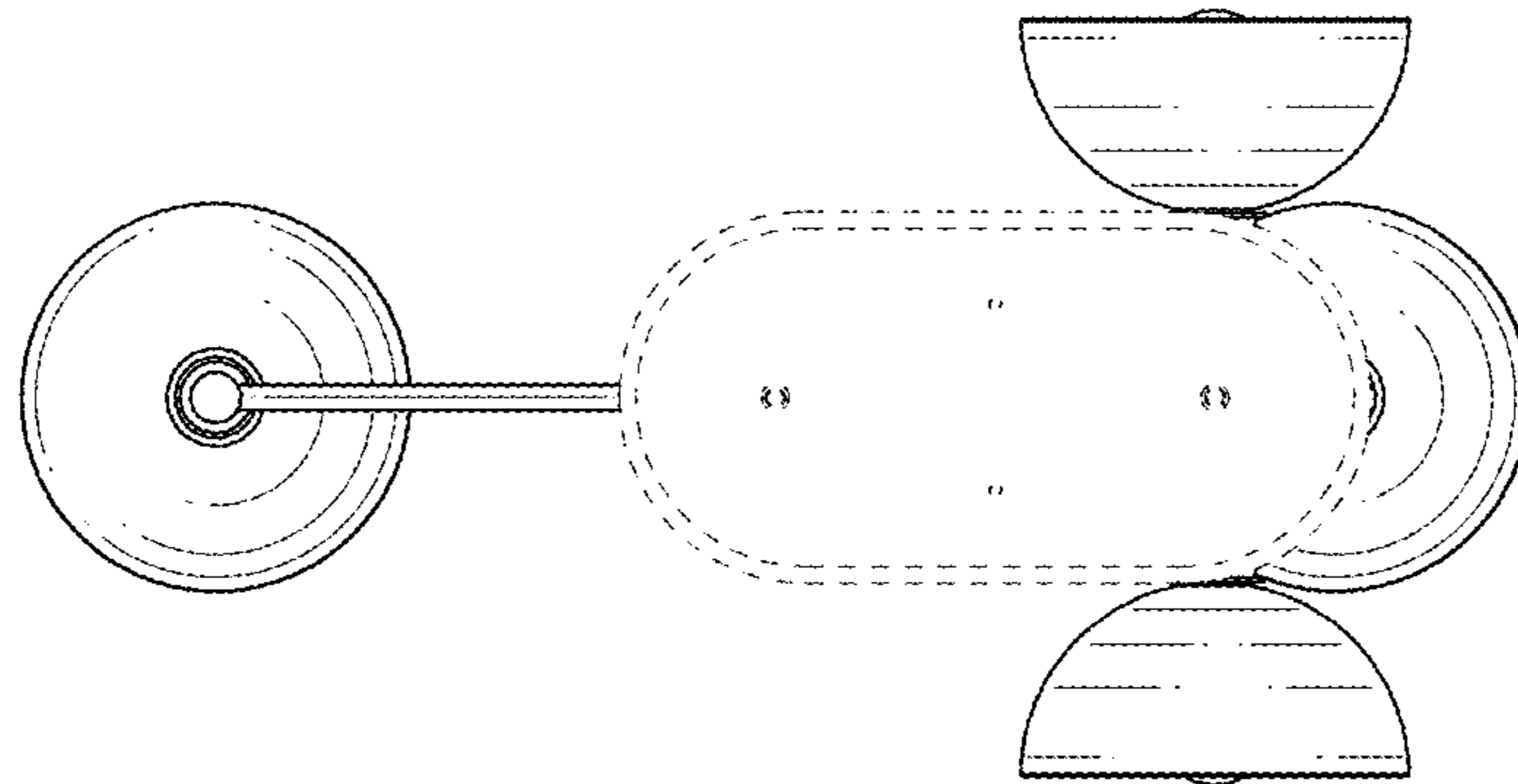


FIG. 15

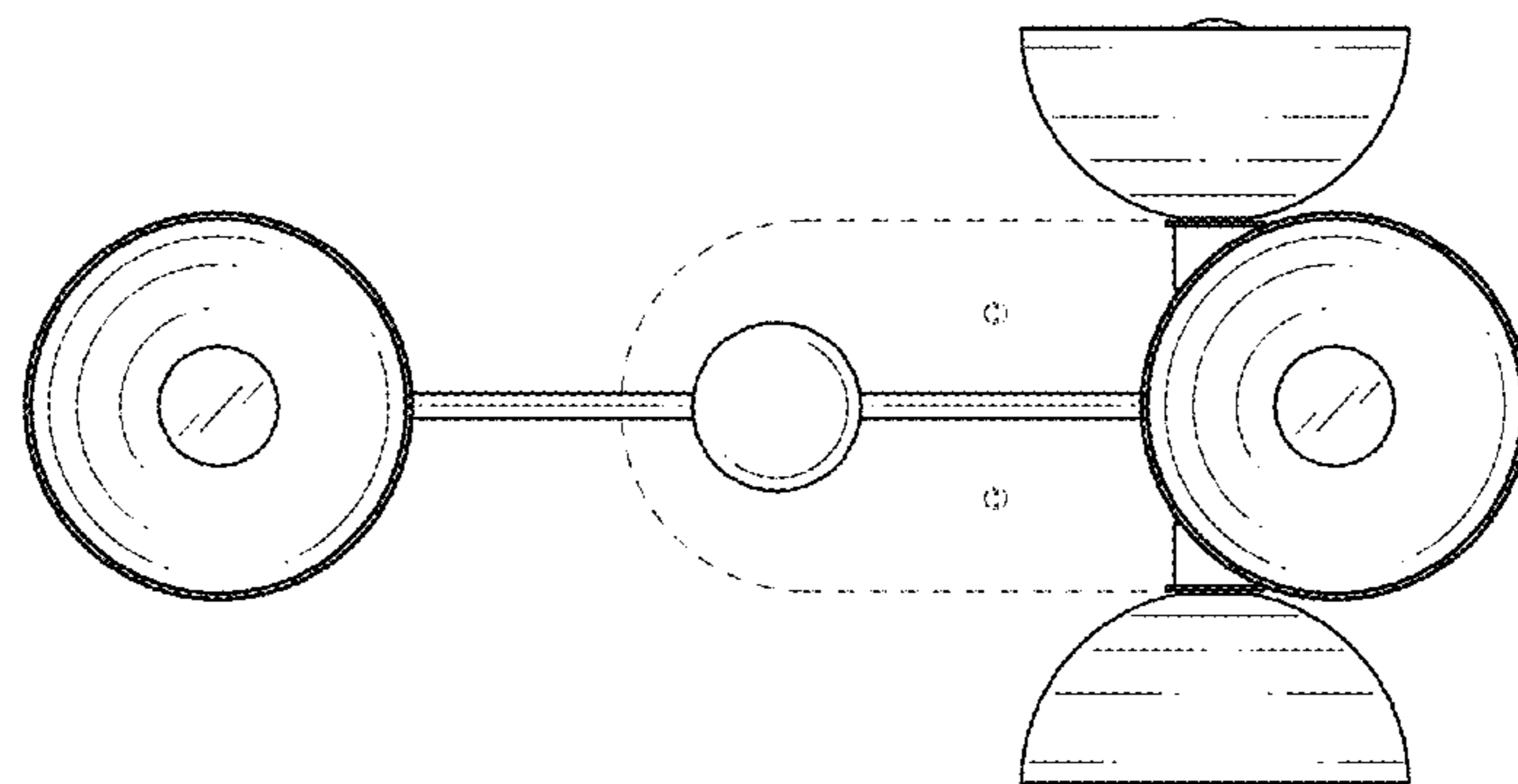


FIG. 16