



US00D920557S

(12) **United States Design Patent**
Lange et al.

(10) **Patent No.:** **US D920,557 S**

(45) **Date of Patent:** **** May 25, 2021**

(54) **MODULAR LAMP**

(71) Applicant: **ARTEMIDE S.p.A.**, Milan (IT)

(72) Inventors: **Jakob Lange**, Milan (IT); **Bjarke Ingels**, Milan (IT)

(73) Assignee: **ARTEMIDE S.p.A.**

(**) Term: **15 Years**

(21) Appl. No.: **29/617,317**

(22) Filed: **Sep. 13, 2017**

(30) **Foreign Application Priority Data**

Mar. 13, 2017 (EM) 003796911

(51) **LOC (13) Cl.** **26-04**

(52) **U.S. Cl.**
USPC **D26/75**

(58) **Field of Classification Search**

USPC D26/75, 29-36, 24, 93, 106, 107, 108,
D26/110, 112, 79, 80, 85, 86, 87

CPC F21S 48/00; F21S 48/10; F21S 48/115;
F21S 48/1233

See application file for complete search history.

(56) **References Cited**

U.S. PATENT DOCUMENTS

- 3,191,087 A * 6/1965 Sugiyama H01J 61/322
313/493
- D259,961 S * 7/1981 Wotowiec D26/26

- D364,241 S * 11/1995 Jaynes D26/106
- D369,427 S * 4/1996 Vakil D26/79
- D377,690 S * 1/1997 Matsumura D26/26
- D487,528 S * 3/2004 Christensen D26/79
- D580,580 S * 11/2008 Lodhie D26/67
- D584,442 S * 1/2009 Benensohn D26/79
- D590,982 S * 4/2009 Benensohn D26/79
- D617,035 S * 6/2010 Sabernig D26/79
- D660,503 S * 5/2012 Gilad D26/79
- D666,764 S * 9/2012 Gilad D26/79
- D701,342 S * 3/2014 Novak D26/75

* cited by examiner

Primary Examiner — Garth Rademaker

Assistant Examiner — Benjamin M Weeks

(74) *Attorney, Agent, or Firm* — The Belles Group, P.C.

(57) **CLAIM**

The ornamental design for a modular lamp, as shown and described.

DESCRIPTION

FIG. 1 is a perspective view of a modular lamp in accordance with the new design;

FIG. 2 is a left-side view thereof;

FIG. 3 is a right-side view thereof;

FIG. 4 is a front view thereof;

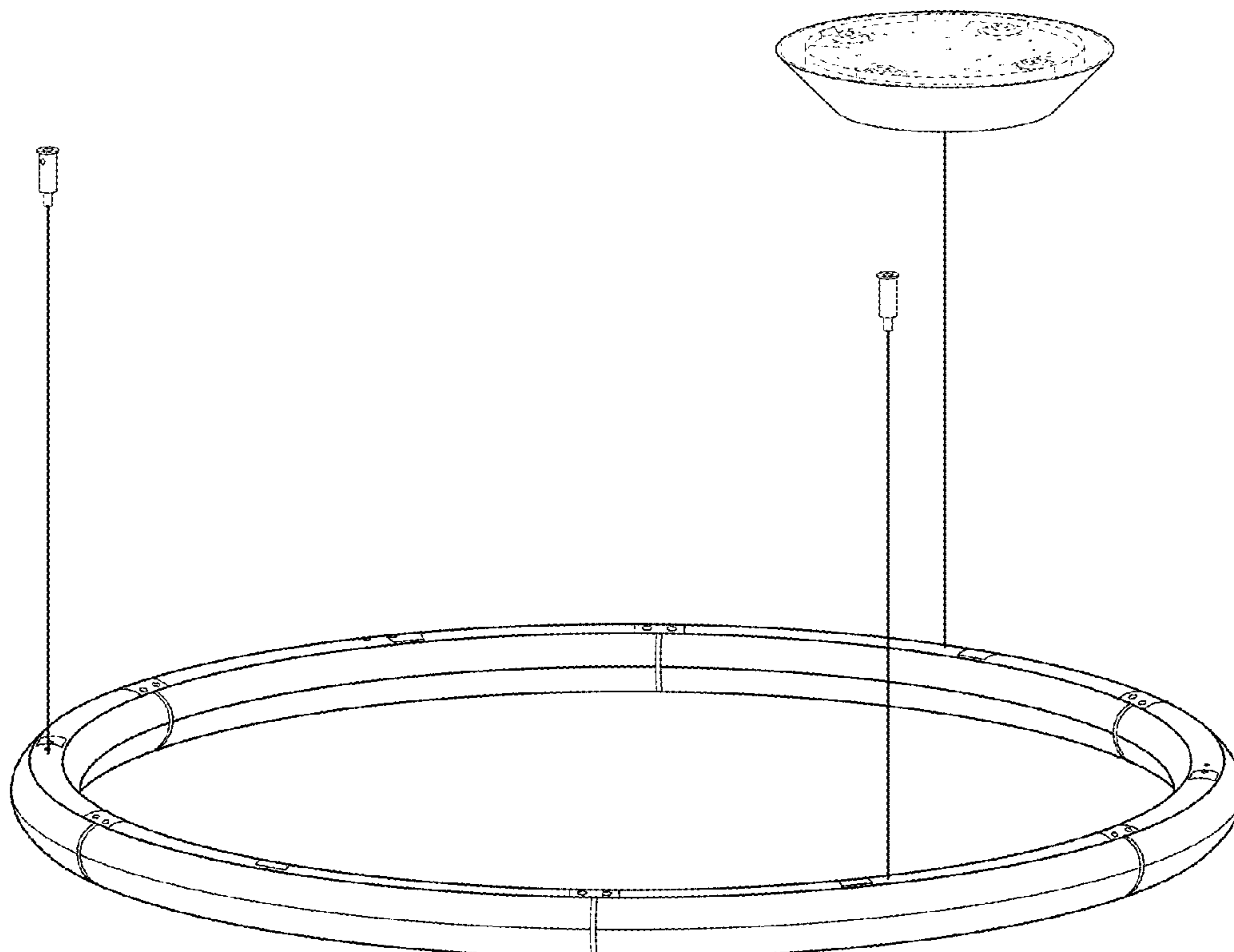
FIG. 5 is a rear view thereof;

FIG. 6 is a bottom view thereof; and,

FIG. 7 is a top view thereof.

The broken lines in the figures illustrate portions of the modular lamp that form no part of the claimed design.

1 Claim, 7 Drawing Sheets



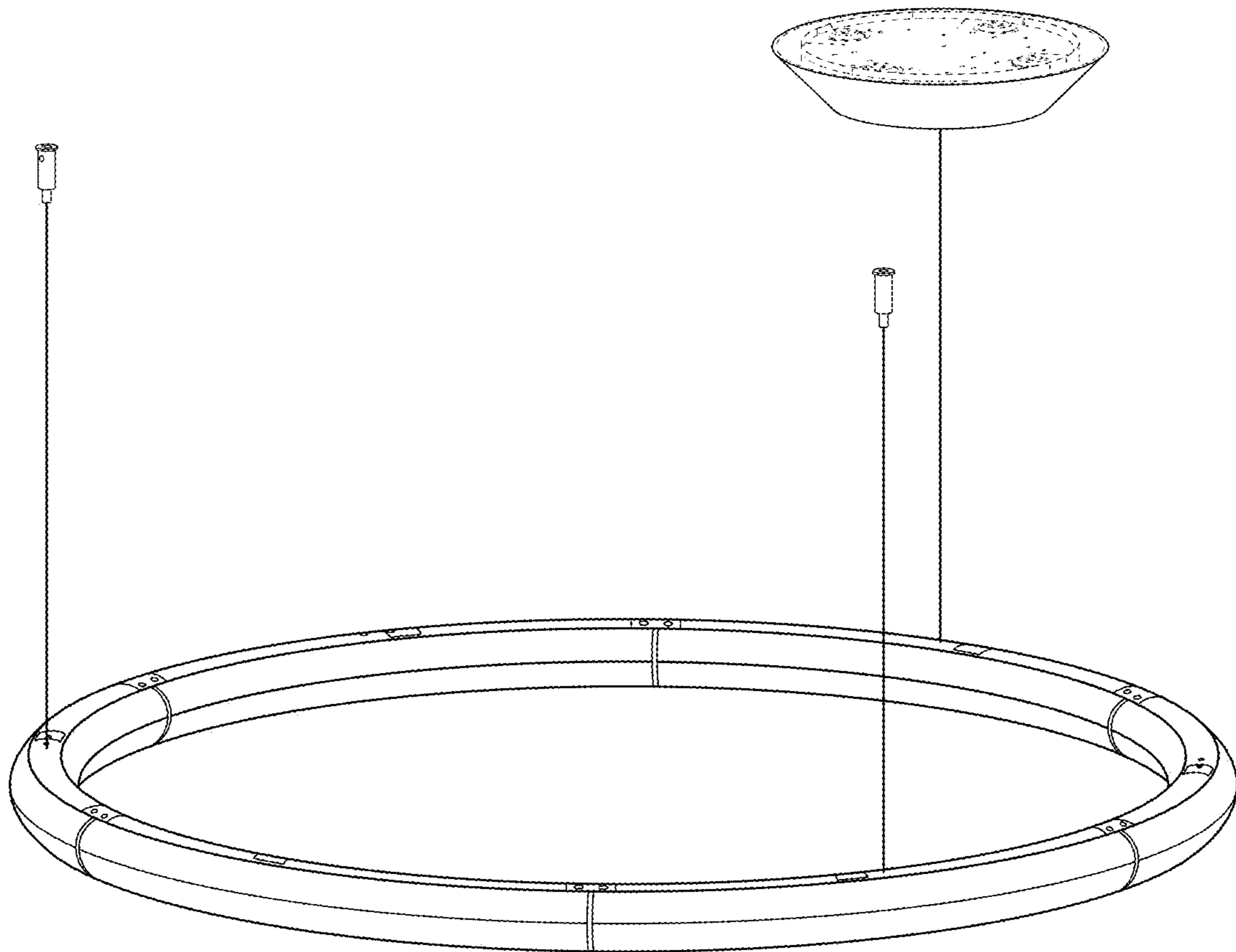


FIG. 1

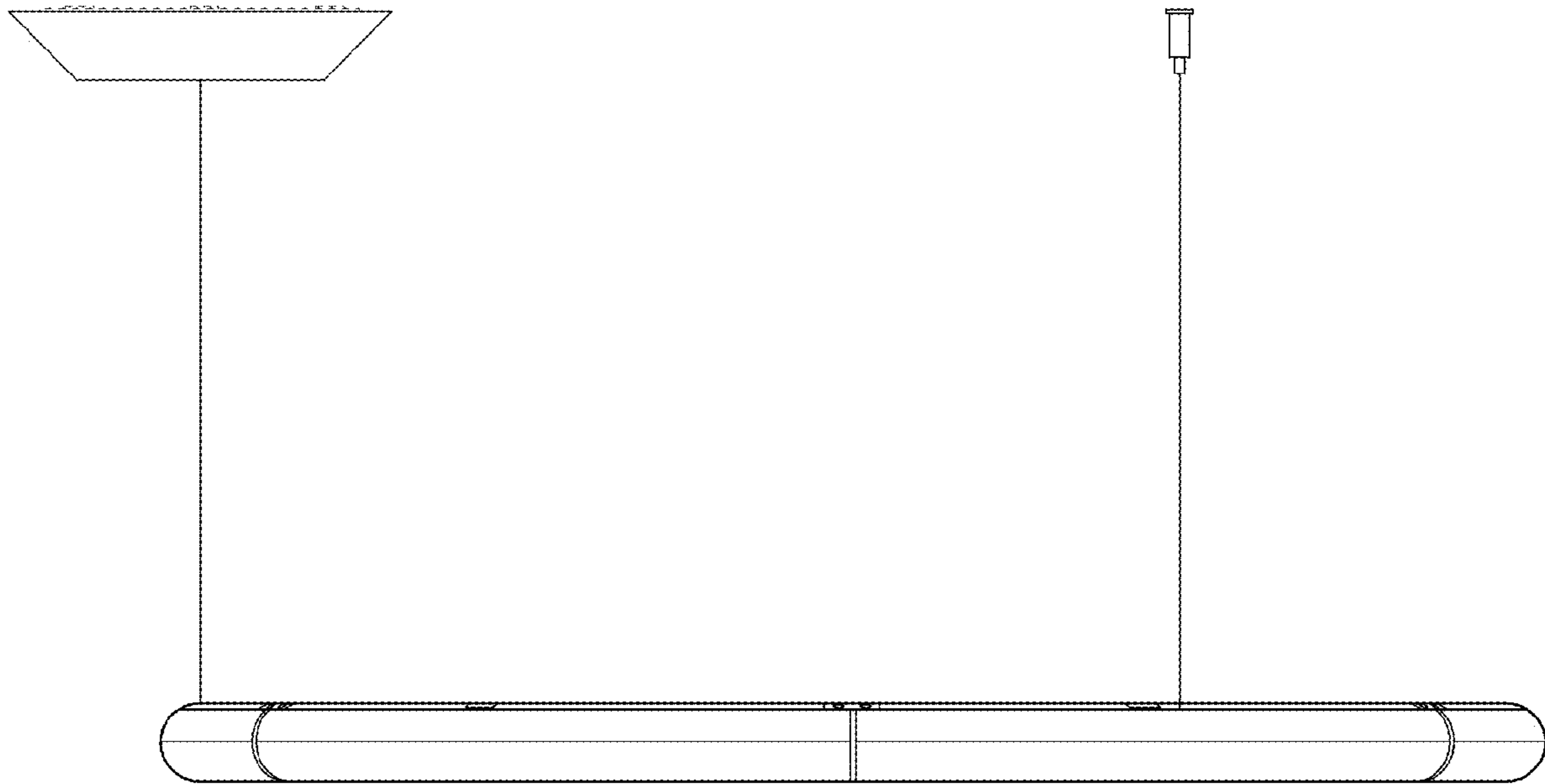


FIG. 2

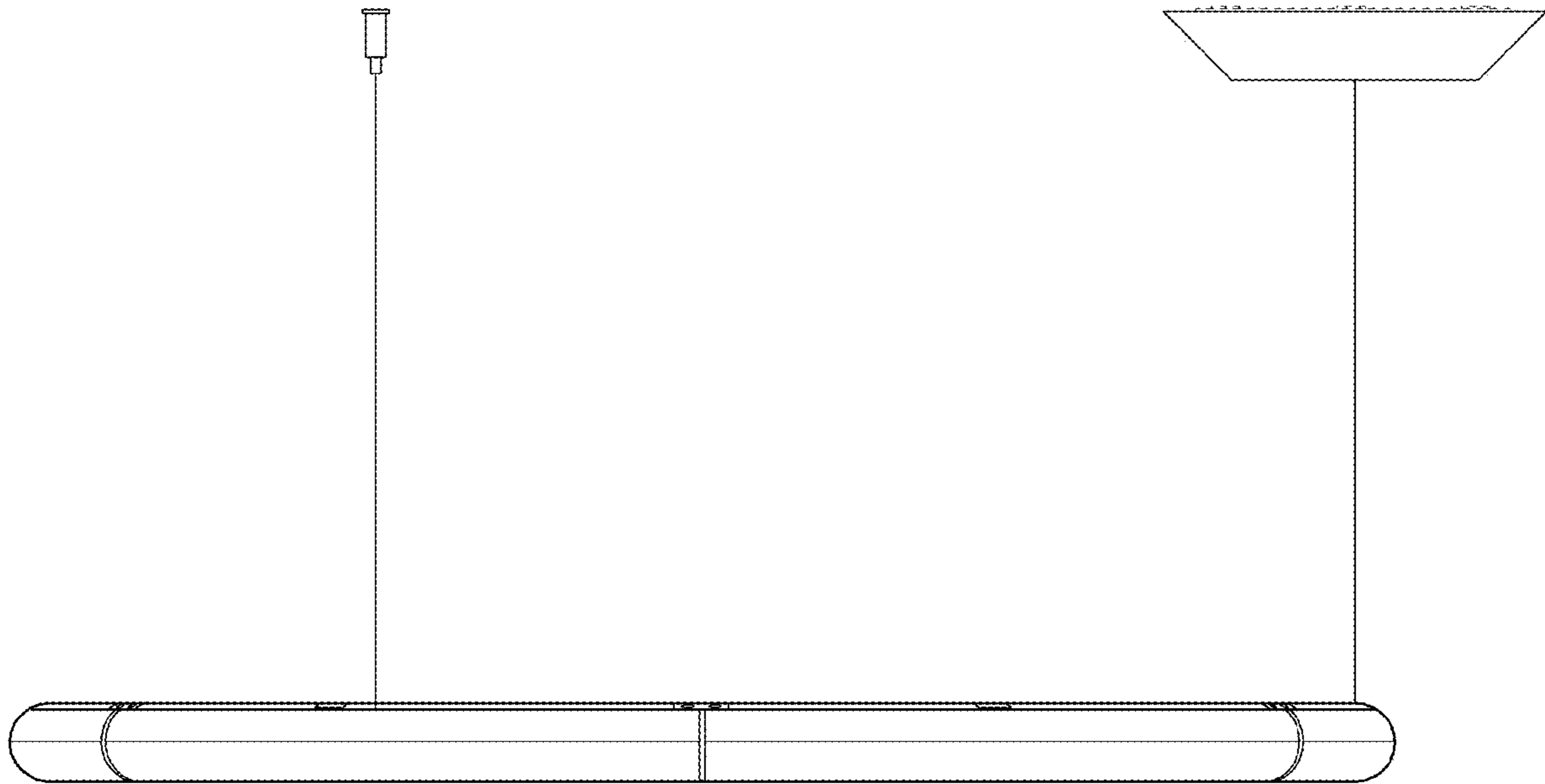


FIG. 3

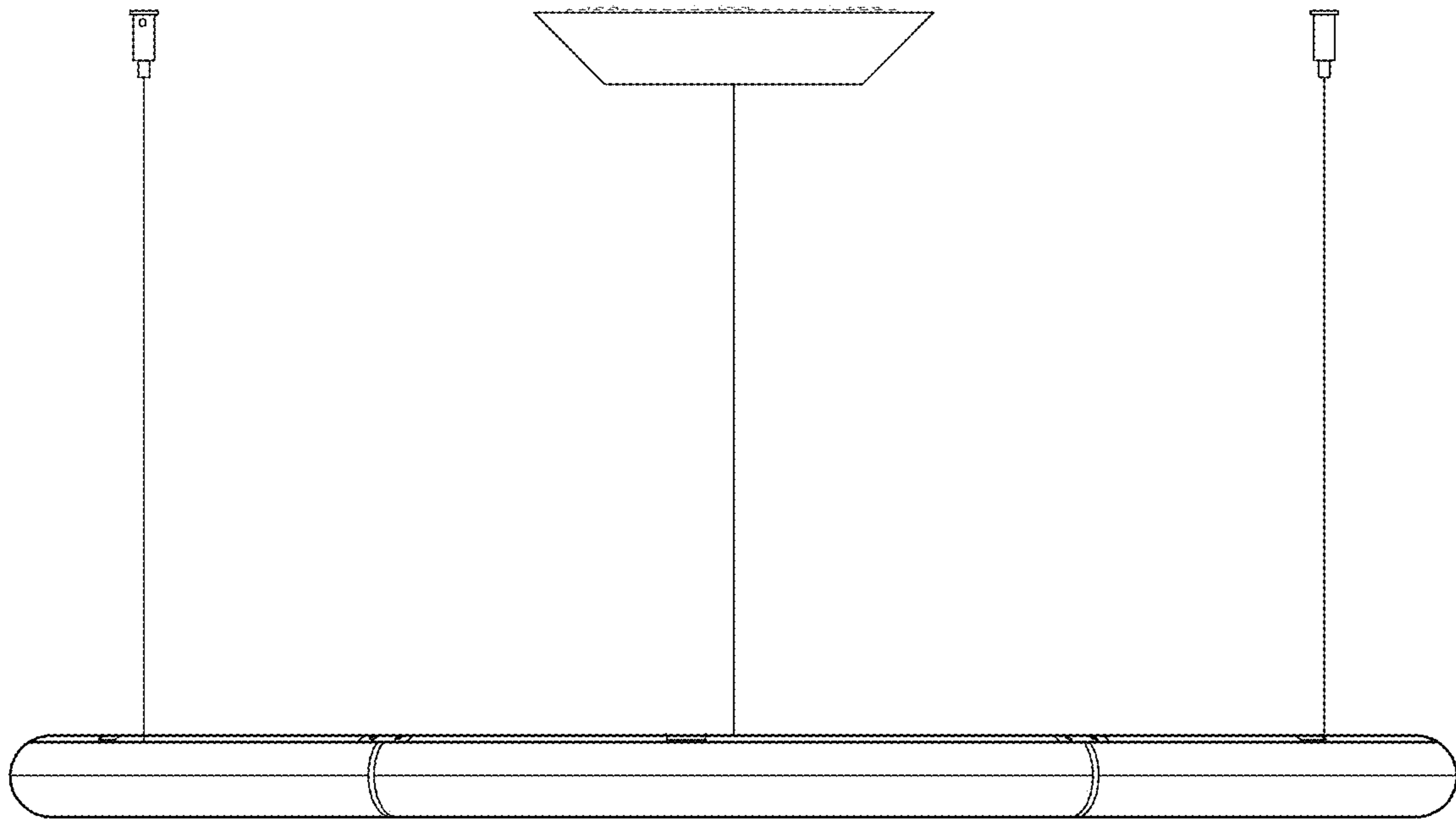


FIG. 4

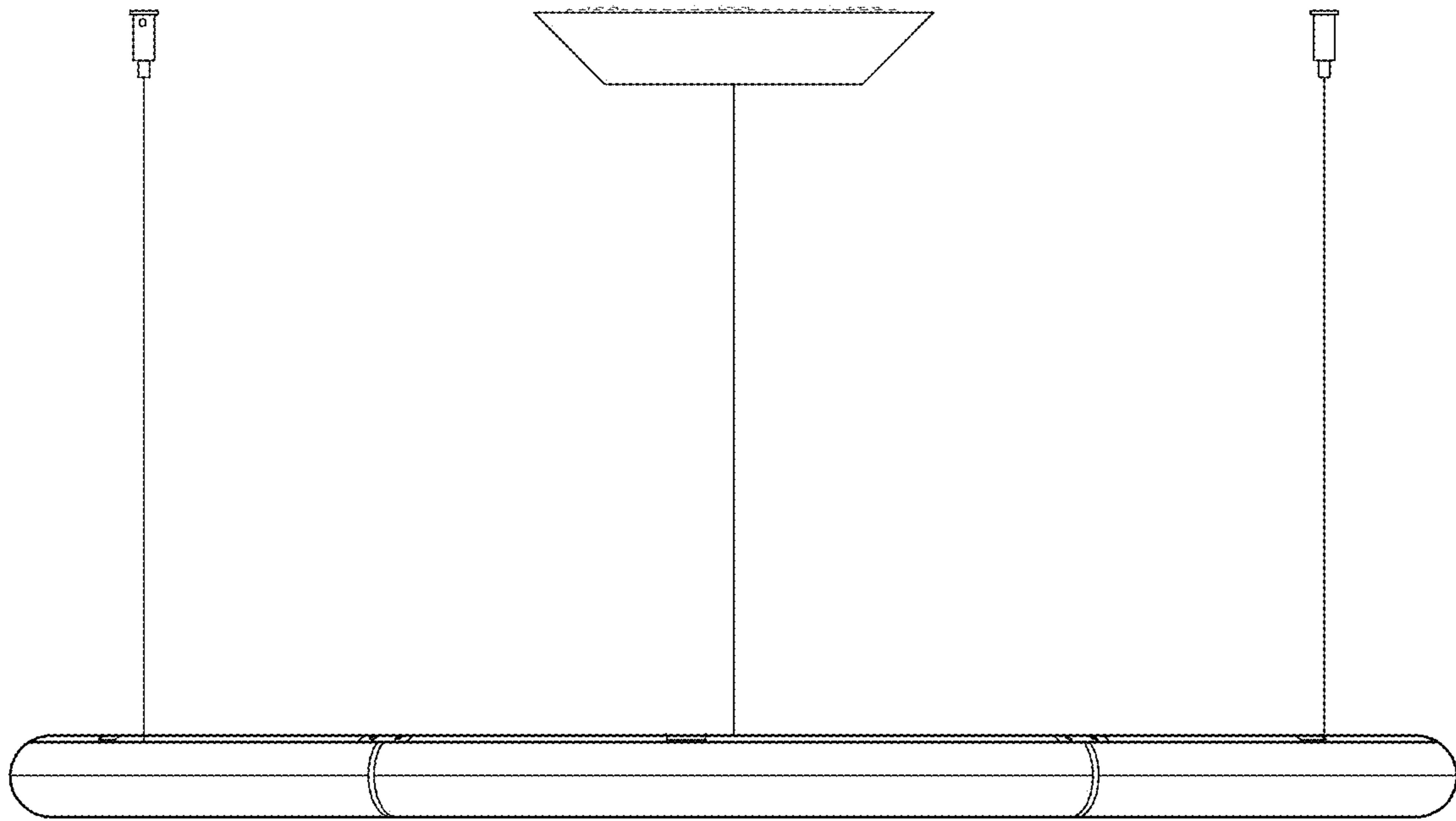


FIG. 5

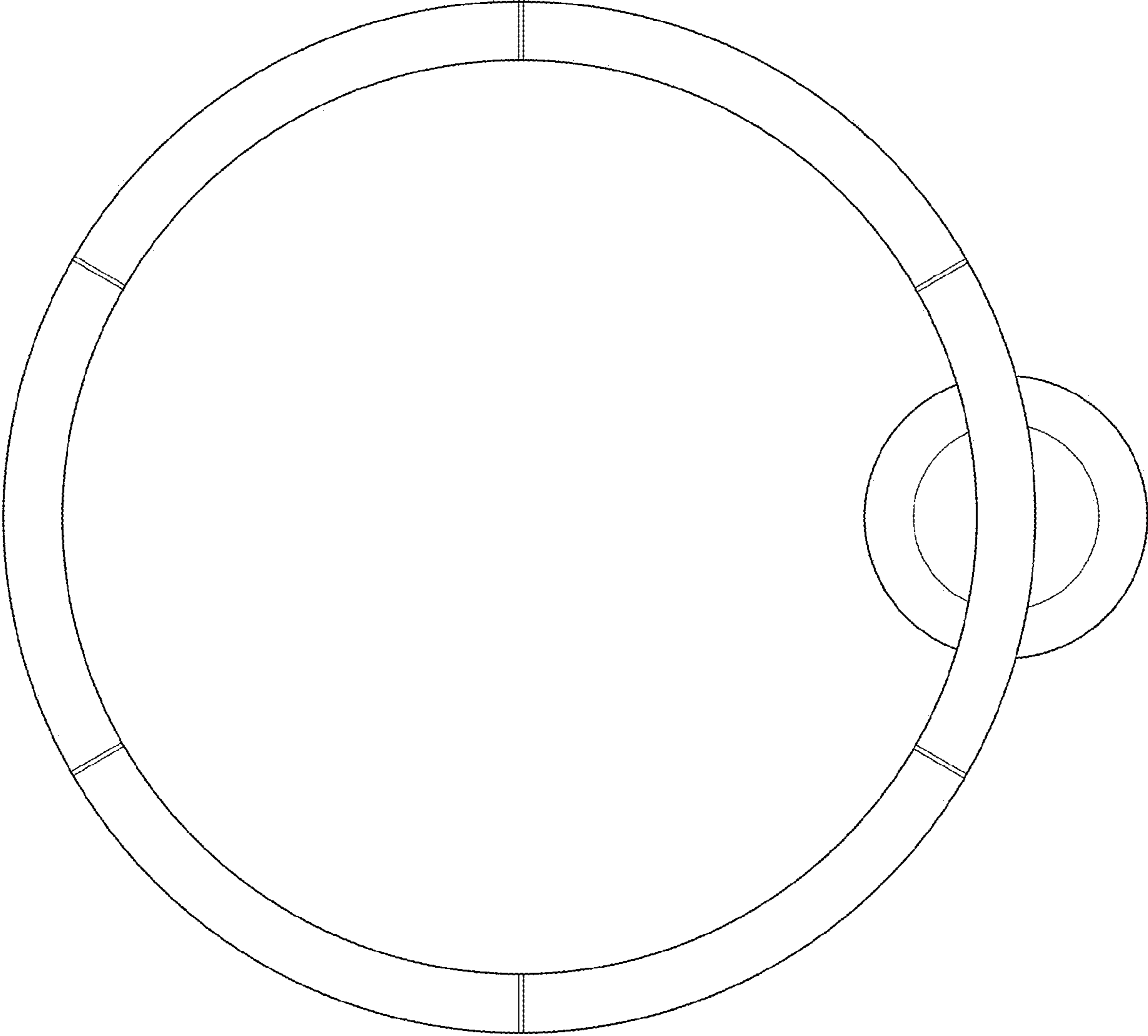


FIG. 6

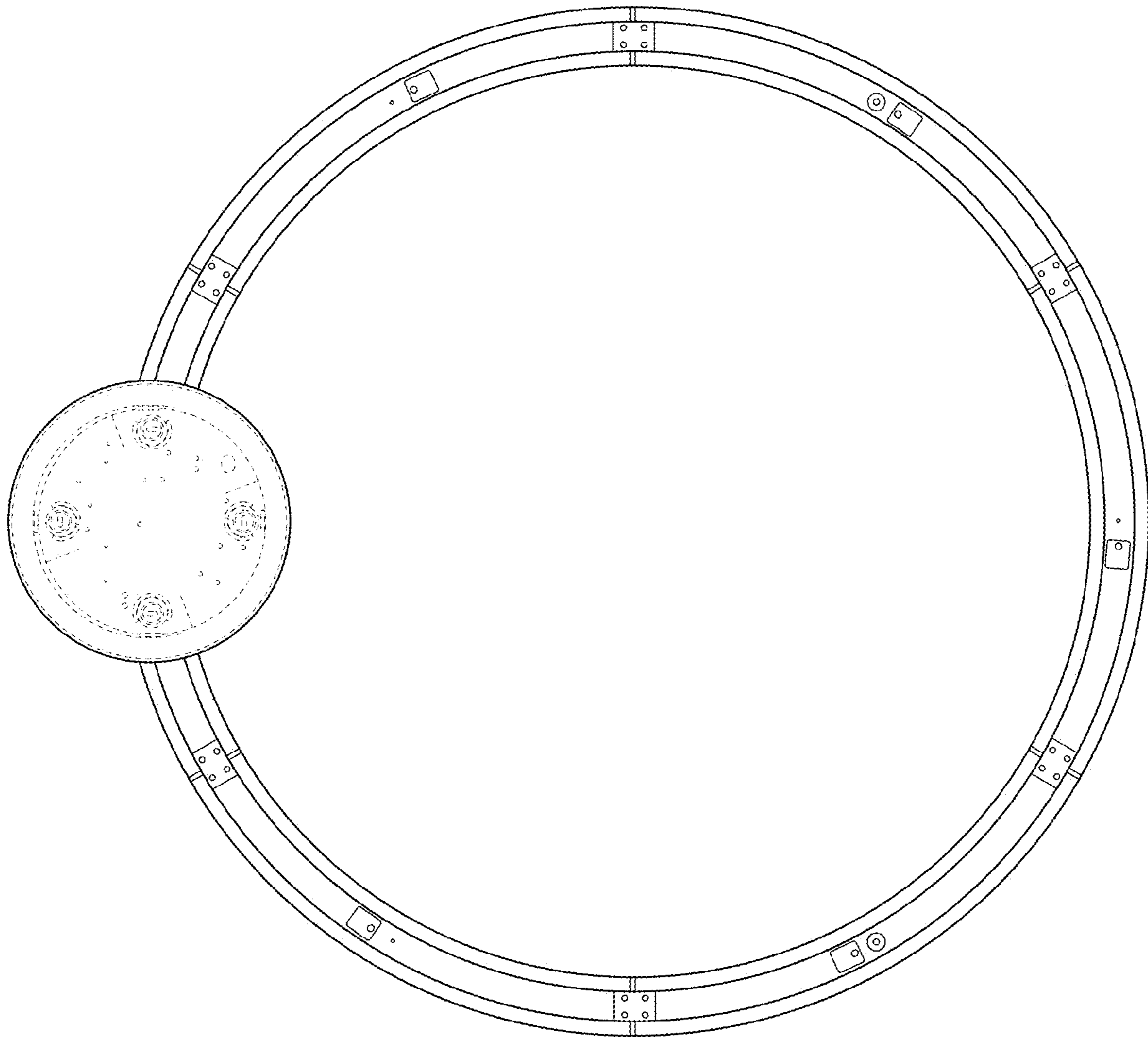


FIG. 7