



US00D920555S

(12) **United States Design Patent** (10) **Patent No.:** **US D920,555 S**  
**Wu** (45) **Date of Patent:** **\*\* May 25, 2021**

(54) **SPOTLIGHT**

(71) Applicant: **SHENZHEN USTELLAR TECHNOLOGY CO., LTD.**, Shenzhen (CN)

(72) Inventor: **Hongwei Wu**, Shenzhen (CN)

(73) Assignee: **SHENZHEN USTELLAR TECHNOLOGY CO., LTD.**, Shenzhen (CN)

(\*\*) Term: **15 Years**

(21) Appl. No.: **29/707,381**

(22) Filed: **Sep. 27, 2019**

(51) **LOC (13) Cl.** ..... **26-05**

(52) **U.S. Cl.**  
USPC ..... **D26/68**

(58) **Field of Classification Search**  
USPC ..... D26/63, 67-70, 85  
CPC .. F21S 8/081; F21S 8/083; F21S 8/088; F21S 9/03; F21S 9/035; F21S 9/037; F21V 21/0824; F21W 2111/02; F21W 2111/023; F21W 2131/109; G09F 13/0404; G09F 2013/0431

See application file for complete search history.

(56) **References Cited**

**U.S. PATENT DOCUMENTS**

D71,130 S *	9/1926	Brady	.....	D26/63
D85,845 S *	12/1931	Smith	.....	D26/67
3,235,771 A *	2/1966	Schwartz	.....	F21S 2/00
				315/276
D238,096 S *	12/1975	Delin	.....	D26/67

D319,891 S *	9/1991	Giese	.....	D26/67
D547,477 S *	7/2007	Guercio	.....	D26/63
D797,974 S *	9/2017	Liang	.....	D26/67
D884,248 S *	5/2020	Zhu	.....	D26/67
2002/0176248 A1 *	11/2002	Wismeth	.....	F21S 9/037
				362/159
2010/0085742 A1 *	4/2010	Ip	.....	F21S 9/037
				362/183
2018/0283657 A1 *	10/2018	Xiong	.....	F21V 21/0824
2019/0211985 A1 *	7/2019	Wijaya	.....	F21V 21/14
2020/0191366 A1 *	6/2020	Mullen	.....	F21V 21/0824

\* cited by examiner

*Primary Examiner* — Clare E Heflin

(74) *Attorney, Agent, or Firm* — Lawoffices of Steven W. Weinrieb

(57) **CLAIM**

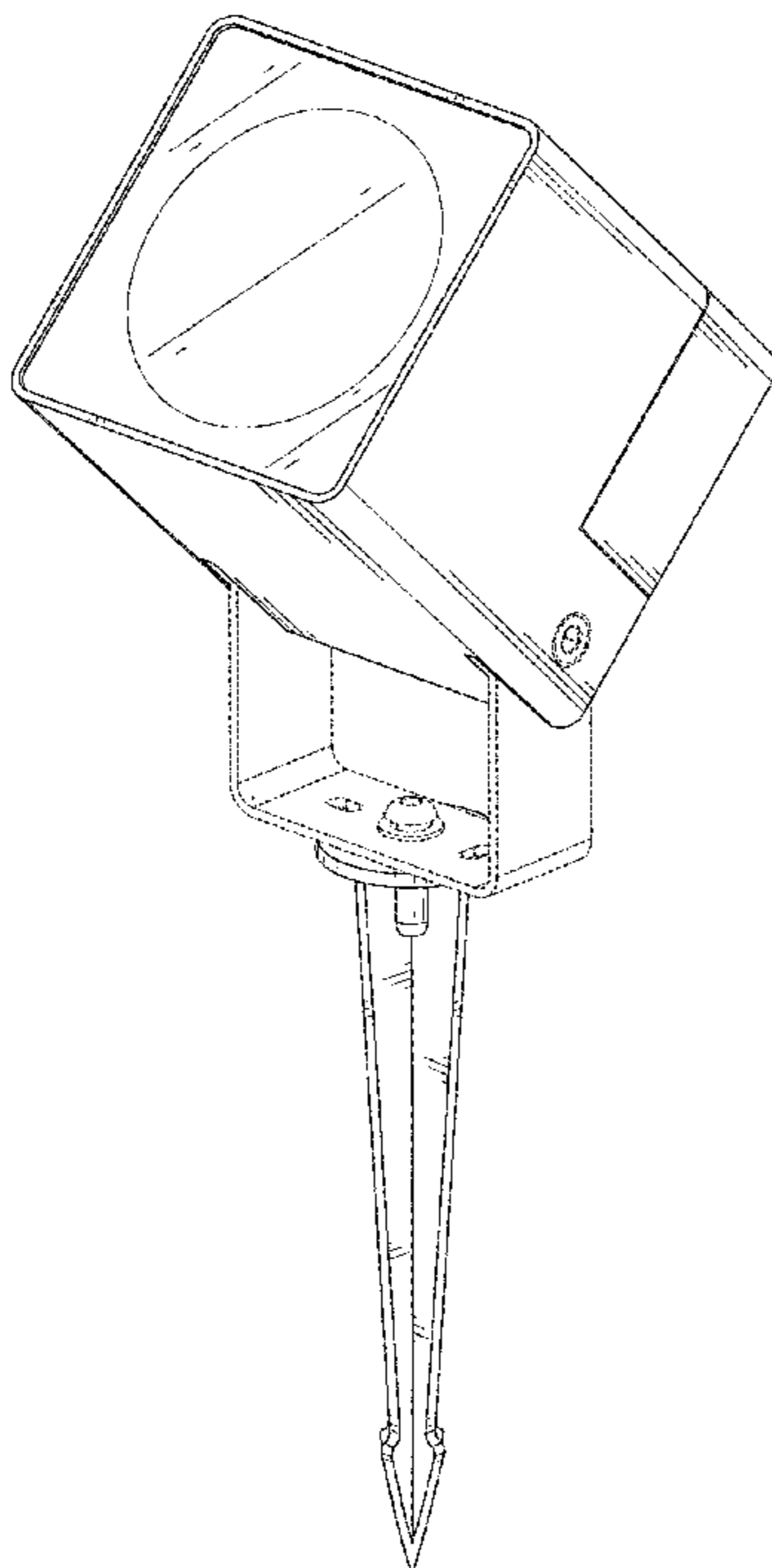
The ornamental design for a spotlight, as shown and described.

**DESCRIPTION**

FIG. 1 is a front, right side, top perspective view of a spotlight showing my new design; FIG. 2 is a rear, left side, bottom perspective view thereof; FIG. 3 is a front elevational view thereof; FIG. 4 is a rear elevational view thereof; FIG. 5 is a left side elevational view thereof; FIG. 6 is a right side elevational view thereof; FIG. 7 is a top plan view thereof; and, FIG. 8 is a bottom plan view thereof.

The broken lines immediately adjacent to the claimed portions are boundaries, all other broken lines are environmental structures; all the broken lines form no part of the claimed design.

**1 Claim, 8 Drawing Sheets**



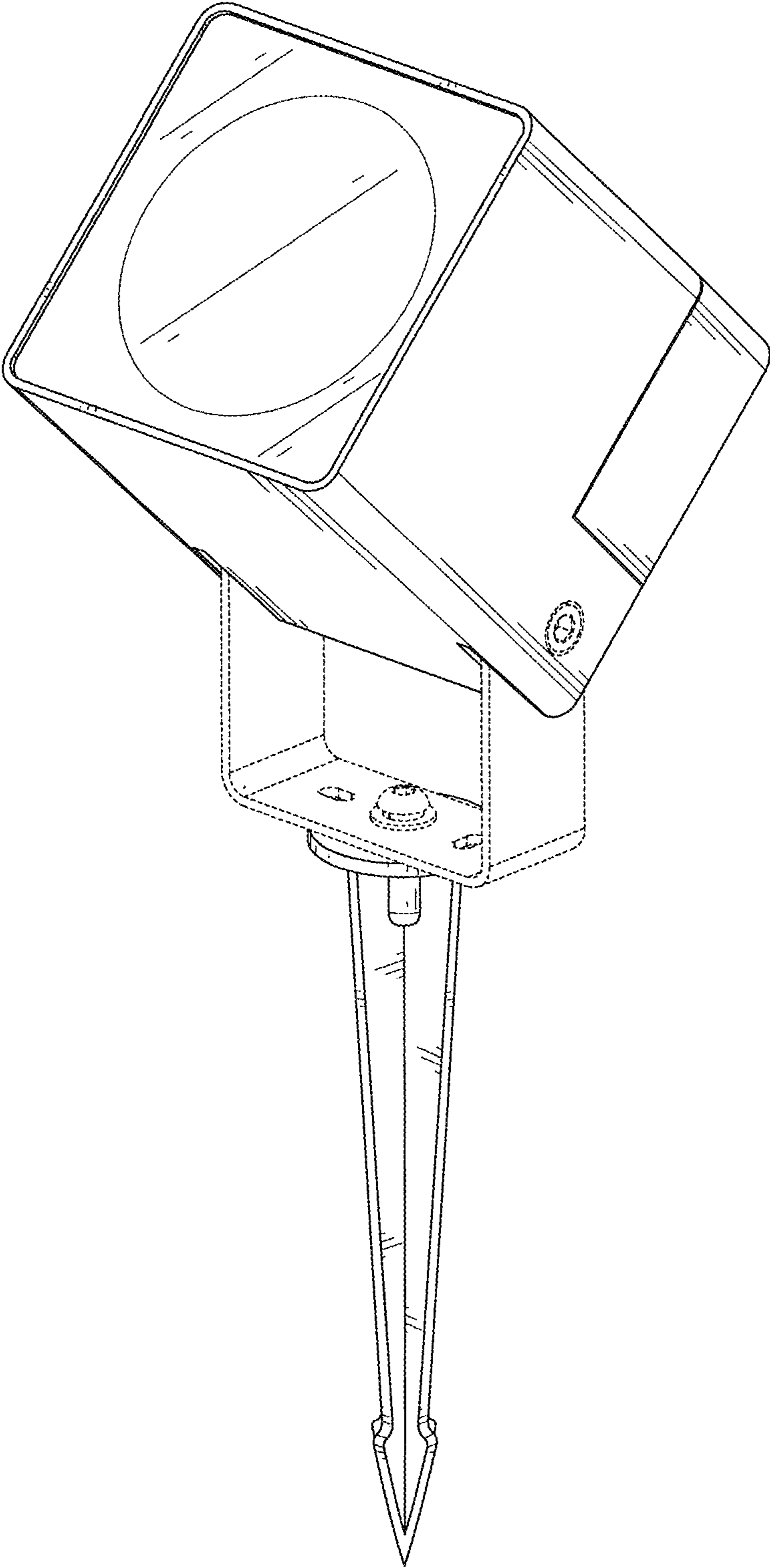


FIG. 1

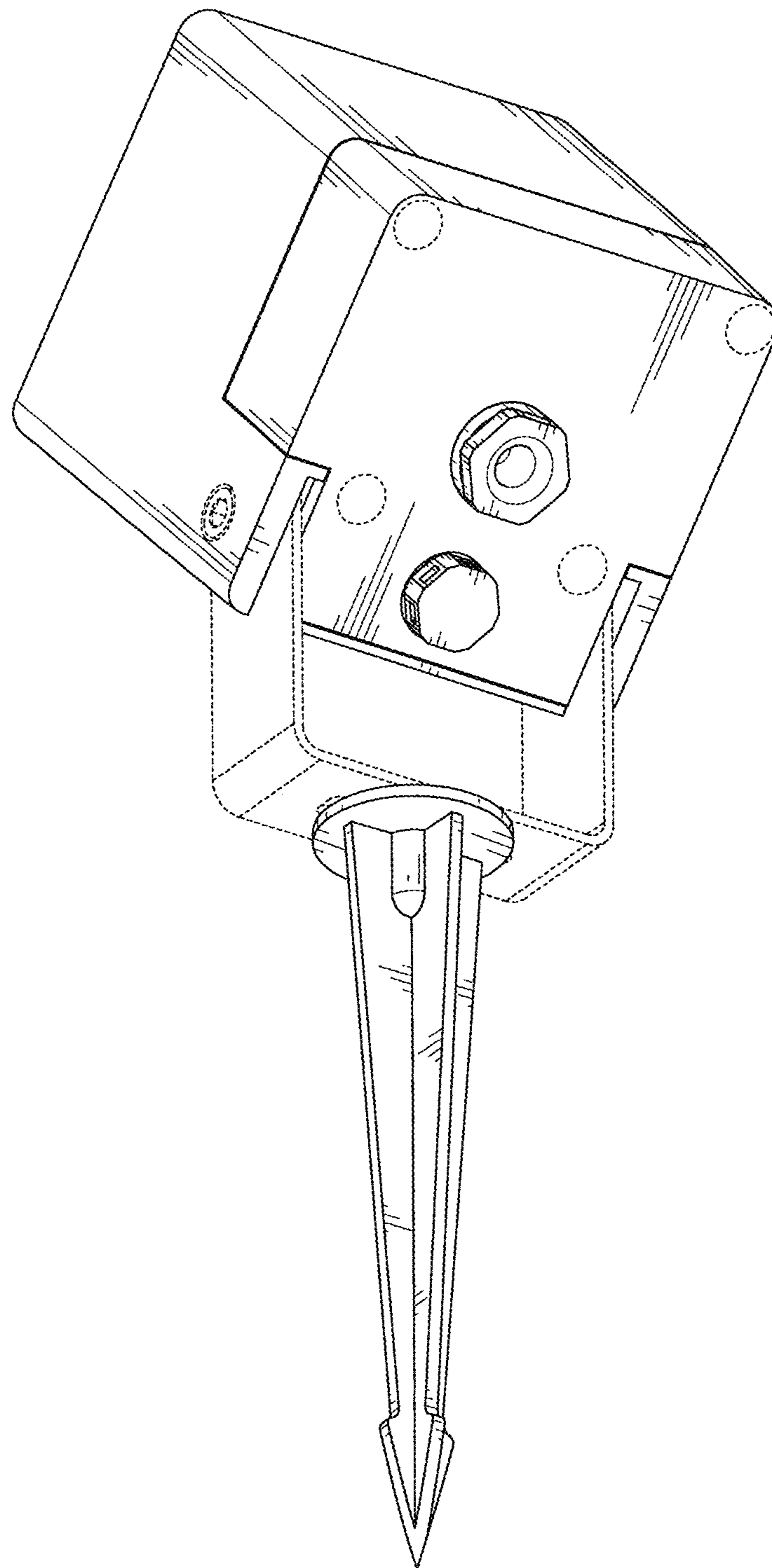


FIG. 2

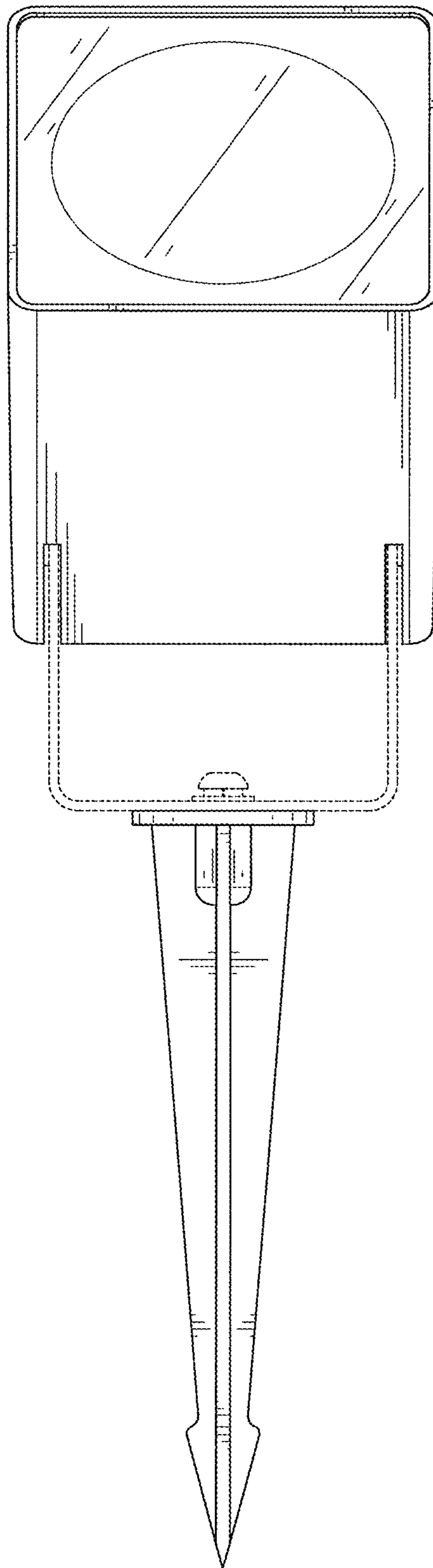


FIG. 3

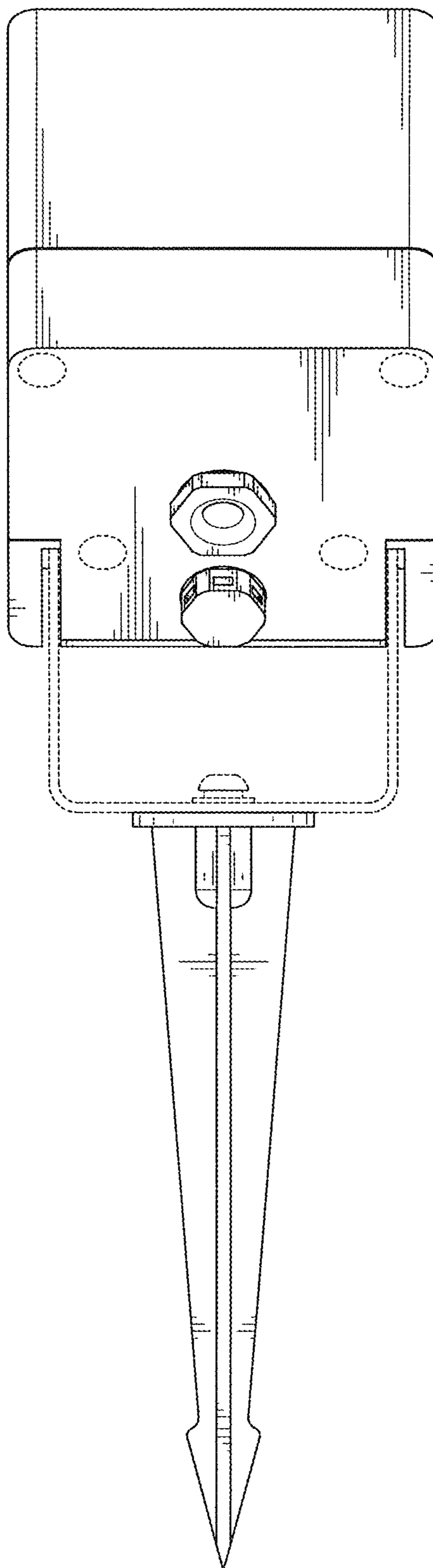


FIG. 4

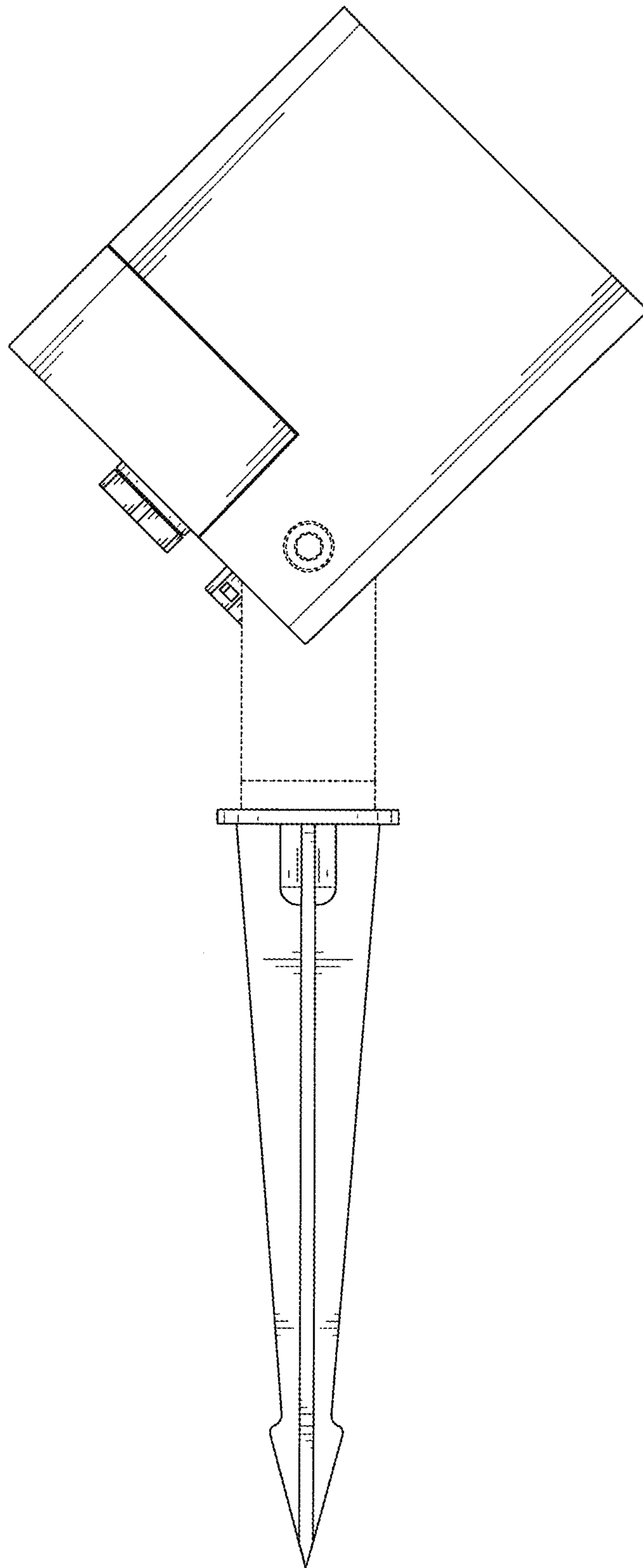


FIG. 5

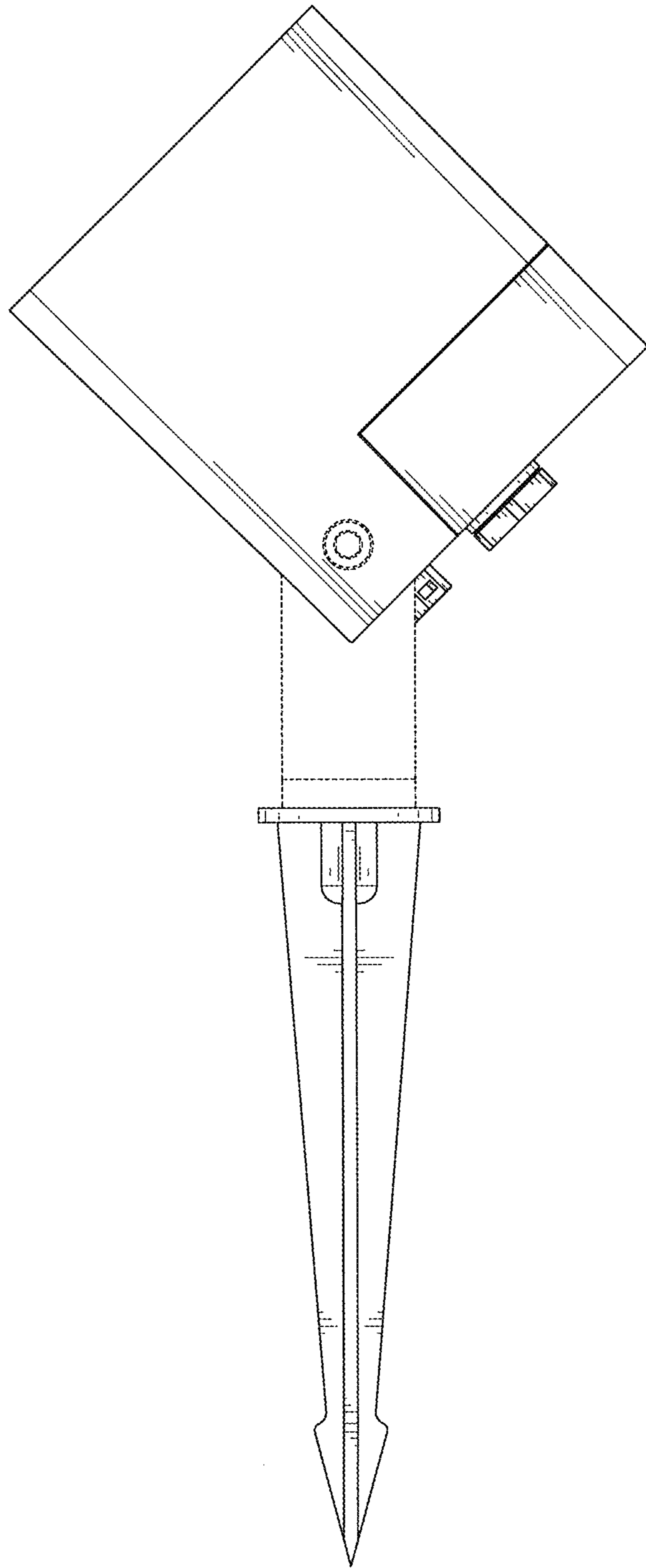


FIG. 6

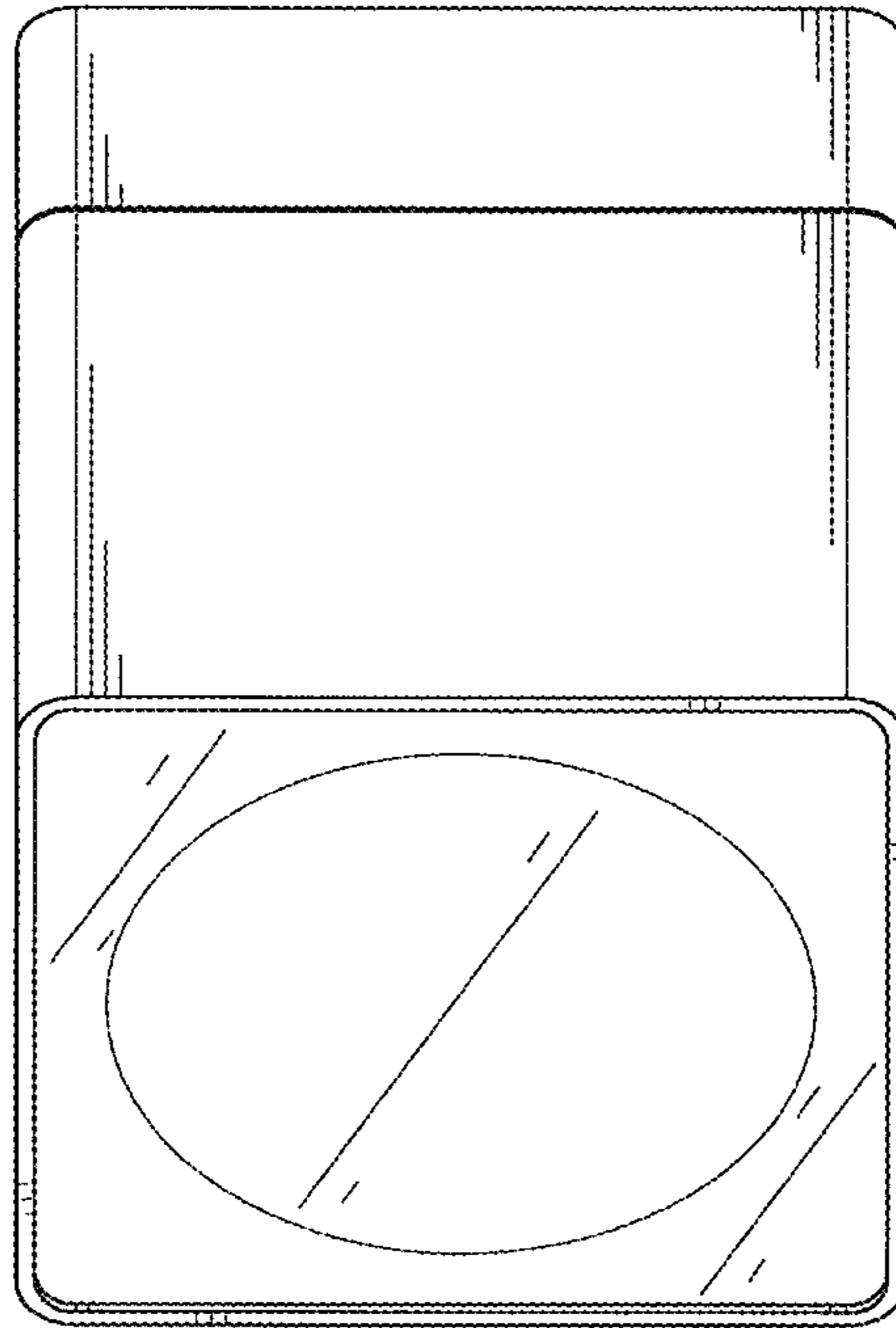


FIG. 7



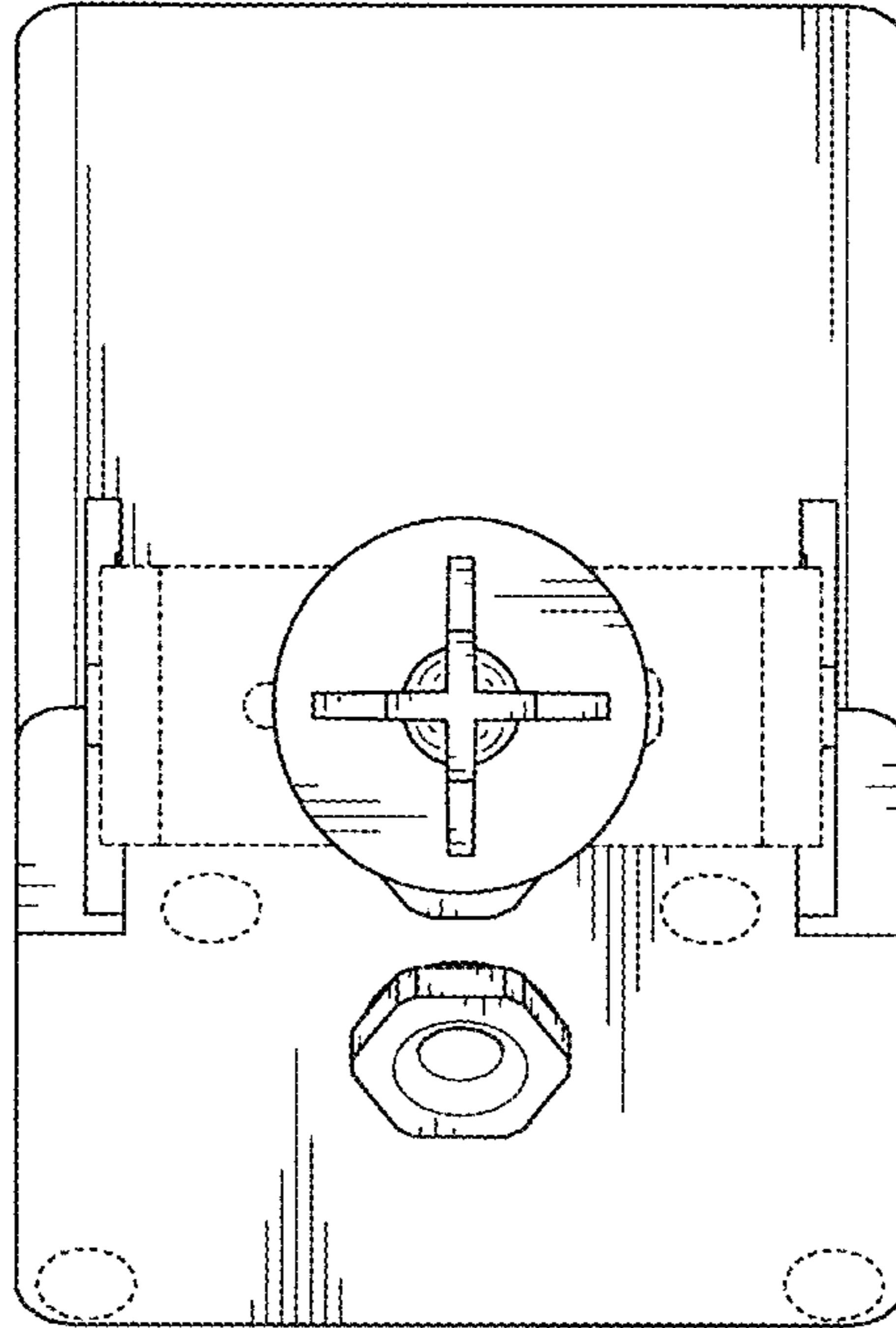


FIG. 8