



US00D920553S

(12) **United States Design Patent** (10) **Patent No.:** **US D920,553 S**
Qiu (45) **Date of Patent:** **** May 25, 2021**

(54) **FLASHLIGHT**
(71) Applicant: **NINGBO HONGFU ALUMINIUM & PLASTIC ELECTRIC APPLIANCE CO. LTD.,** Ninghai County (CN)
(72) Inventor: **Enyuan Qiu,** Ninghai County (CN)
(73) Assignee: **NINGBO HONGFU ALUMINIUM & PLASTIC ELECTRIC APPLIANCE CO. LTD.,** Ninghai County (CN)

D529,643 S * 10/2006 Kung D26/37
D546,988 S * 7/2007 Shiu D26/37
D557,836 S * 12/2007 Shiu D26/37
D560,012 S * 1/2008 Liu D26/49
D568,514 S * 5/2008 Shiu D26/37
D578,236 S * 10/2008 Dalton D26/49
D601,287 S * 9/2009 Caniparoli D26/49
7,581,848 B1 * 9/2009 Parsons F21L 4/027
200/60

(Continued)

FOREIGN PATENT DOCUMENTS

(**) Term: **15 Years**

CN 305057960 * 3/2019

(21) Appl. No.: **29/678,172**

OTHER PUBLICATIONS

(22) Filed: **Jan. 25, 2019**

hongfu-cn.com: HF186MM. Undated online product page. Retrieved on Oct. 13, 2020 from <<http://www.hongfu-cn.com/product/105.html>> (Year: 2020).*

(30) **Foreign Application Priority Data**

(Continued)

Oct. 22, 2018 (CN) 201830588695.9

(51) **LOC (13) Cl.** **26-03**

Primary Examiner — Brian N. Vinson

(52) **U.S. Cl.**
USPC **D26/49**

(74) *Attorney, Agent, or Firm* — Innovation Capital Law Group, LLP; Vic Lin

(58) **Field of Classification Search**
USPC D26/37-38, 40-42, 46, 49-50
CPC F21L 2003/00; F21L 4/00; F21L 4/005;
F21L 4/02; F21L 4/022; F21L 4/025;
F21L 4/027; F21L 4/04; F21L 4/045;
F21L 4/08; F21L 4/085; F21L 14/02
See application file for complete search history.

(57) **CLAIM**

The ornamental design for a flashlight, as shown and described.

DESCRIPTION

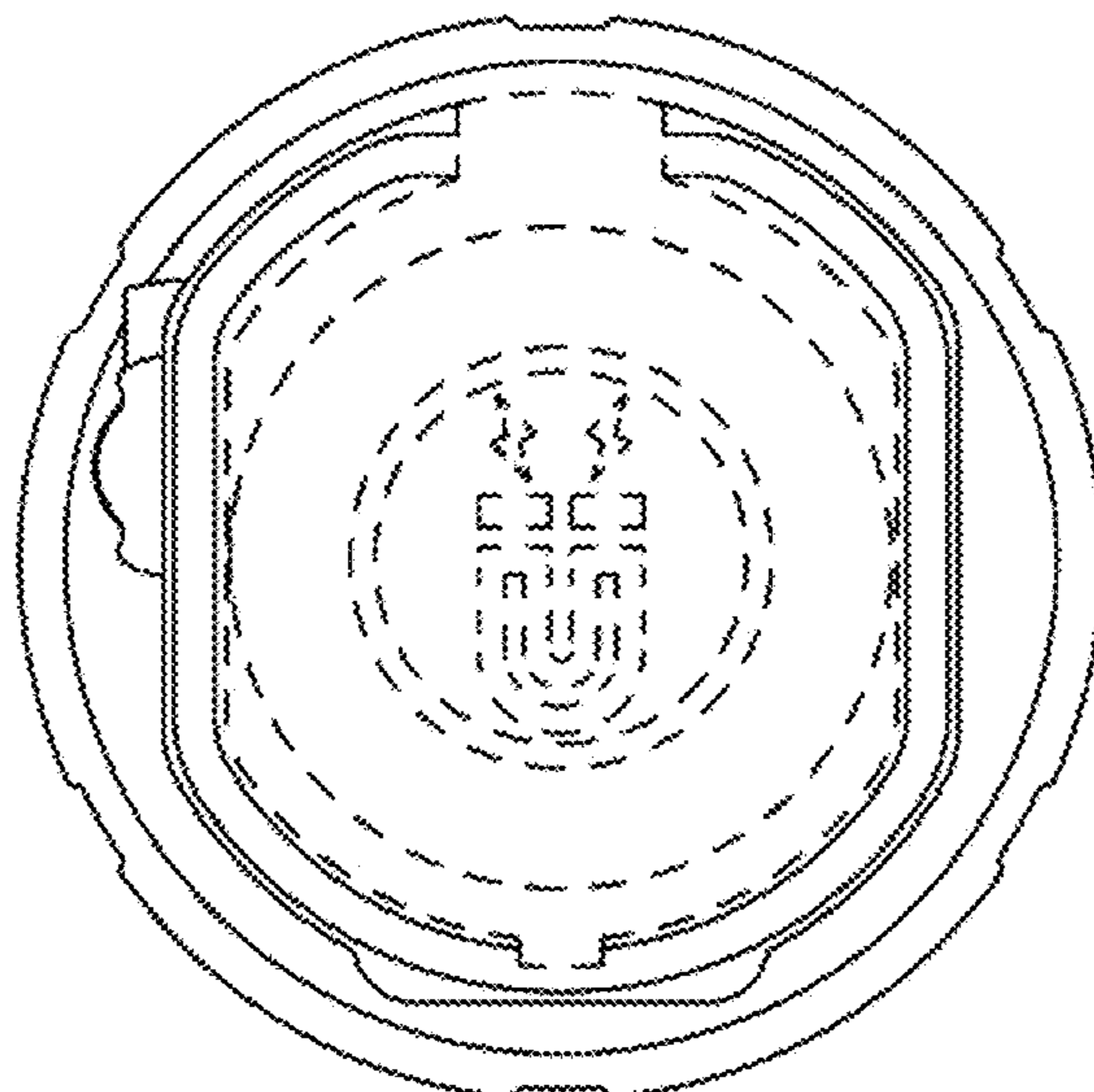
(56) **References Cited**

FIG. 1 is a front view of a flashlight showing my new design; FIG. 2 is a rear view thereof; FIG. 3 is a left side view thereof; FIG. 4 is a right side view thereof; FIG. 5 is a top view thereof; FIG. 6 is a bottom view thereof; and, FIG. 7 is a front perspective view thereof. The broken lines in the drawings illustrate portions of the flashlight that form no part of the claimed design.

U.S. PATENT DOCUMENTS

D480,493 S * 10/2003 Liou D26/49
D481,147 S * 10/2003 Yang D26/49
D481,817 S * 11/2003 Mah D26/49
D481,818 S * 11/2003 Mah D26/49
D489,469 S * 5/2004 Liou D26/37
D512,168 S * 11/2005 Suzuki D26/37
D512,525 S * 12/2005 Yang D26/49
D515,718 S * 2/2006 Yang D26/37

1 Claim, 6 Drawing Sheets



(56)

References Cited

U.S. PATENT DOCUMENTS

D604,437 S * 11/2009 Yang D26/49
 D639,470 S * 6/2011 Wessel D26/38
 D639,986 S * 6/2011 Wessel D26/38
 D647,230 S * 10/2011 Bertken D26/38
 8,104,915 B1 * 1/2012 Osterhout F21L 4/005
 362/200
 D656,261 S * 3/2012 Lee D26/49
 D658,794 S * 5/2012 Wang D26/38
 8,469,548 B2 * 6/2013 Qiu F21L 4/027
 362/188
 D685,940 S * 7/2013 Lee D26/49
 D689,230 S * 9/2013 Yeh D26/49
 8,783,908 B2 * 7/2014 Gross F21L 4/027
 362/184
 D710,526 S * 8/2014 Lee D26/49
 D719,694 S * 12/2014 Nawaz D22/117
 8,919,988 B2 * 12/2014 Unger F21L 14/02
 362/157
 D726,945 S * 4/2015 Kunzendorf D26/49
 D732,722 S * 6/2015 Kunzendorf D26/49
 9,068,727 B2 * 6/2015 Lee F21V 14/065
 D745,987 S * 12/2015 Nawaz D22/117
 D748,309 S * 1/2016 Cheng D22/117
 D752,792 S * 3/2016 Grandadam D26/42
 D757,319 S * 5/2016 Green D26/49

D782,603 S * 3/2017 Fan D22/117
 9,671,098 B2 * 6/2017 Maglica F21V 23/0414
 D792,625 S * 7/2017 Koshiba D26/49
 D802,194 S * 11/2017 Green D26/49
 D802,195 S * 11/2017 Huang D26/49
 D814,087 S * 3/2018 Cao D26/49
 D818,622 S * 5/2018 Kunzendorf D26/49
 10,234,082 B1 * 3/2019 Diederich F21L 4/027
 D866,031 S * 11/2019 Muyschondt D26/49
 D875,287 S * 2/2020 Inskoop D26/49
 2003/0147237 A1 * 8/2003 Halasz F21L 4/027
 362/187
 2009/0190339 A1 * 7/2009 Galli F21L 4/00
 362/205

OTHER PUBLICATIONS

hongfu-cn.com: HF286MM. Undated online product page. Retrieved on Oct. 13, 2020 from <<http://www.hongfu-cn.com/product/106.html>> (Year: 2020).*

amazon.com: NBHONGFU Rechargeable Portable Tactical Flashlight. Date uploaded Apr. 9, 2019 [site visited Oct. 13, 2020]. Retrieved from internet, <<https://www.amazon.com/Emergency-Flashlight-Batteries-Waterproof-Rechargeable/dp/B07QGZFB1V>> (Year: 2019).*

* cited by examiner

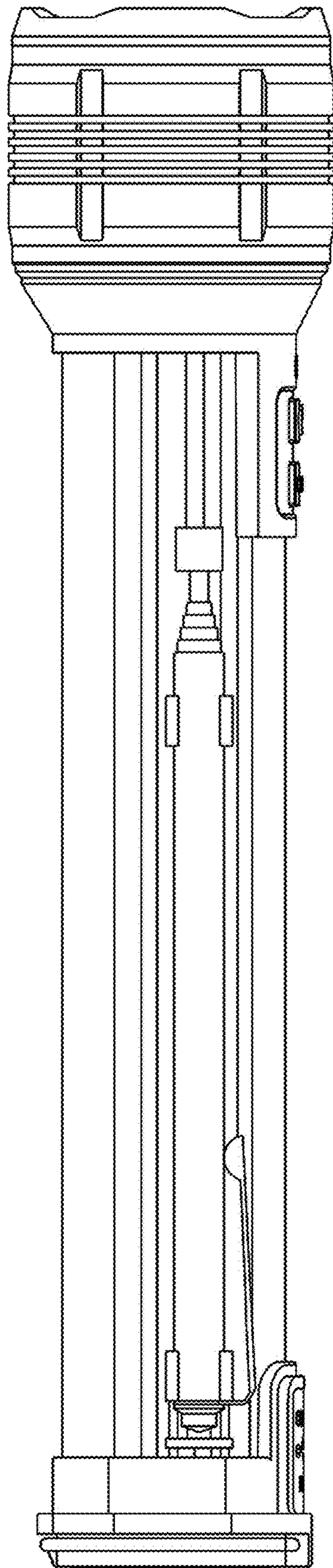


FIG.1

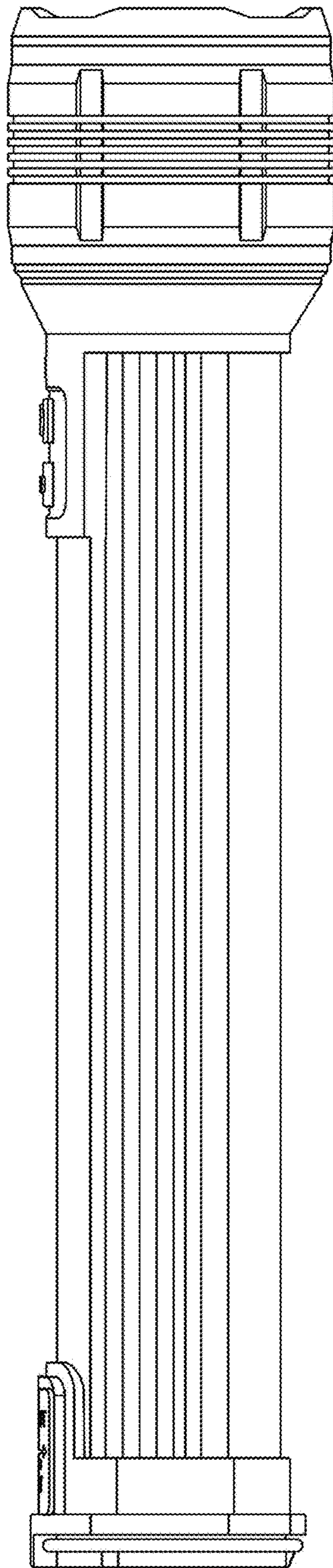


FIG.2

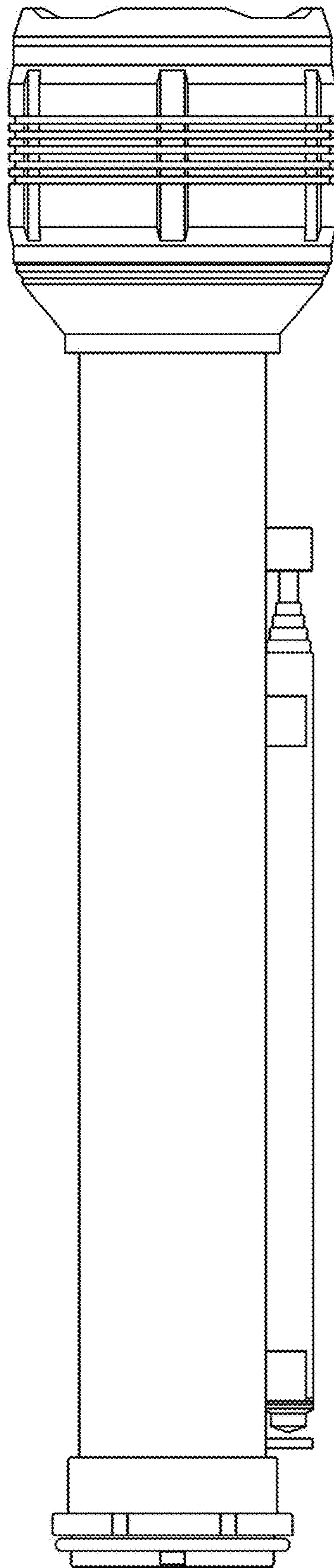


FIG.3

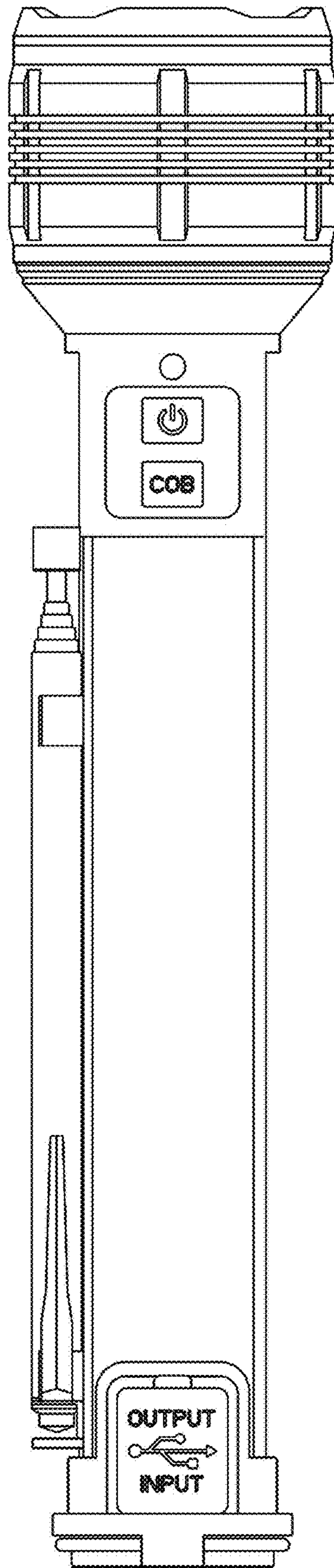


FIG.4

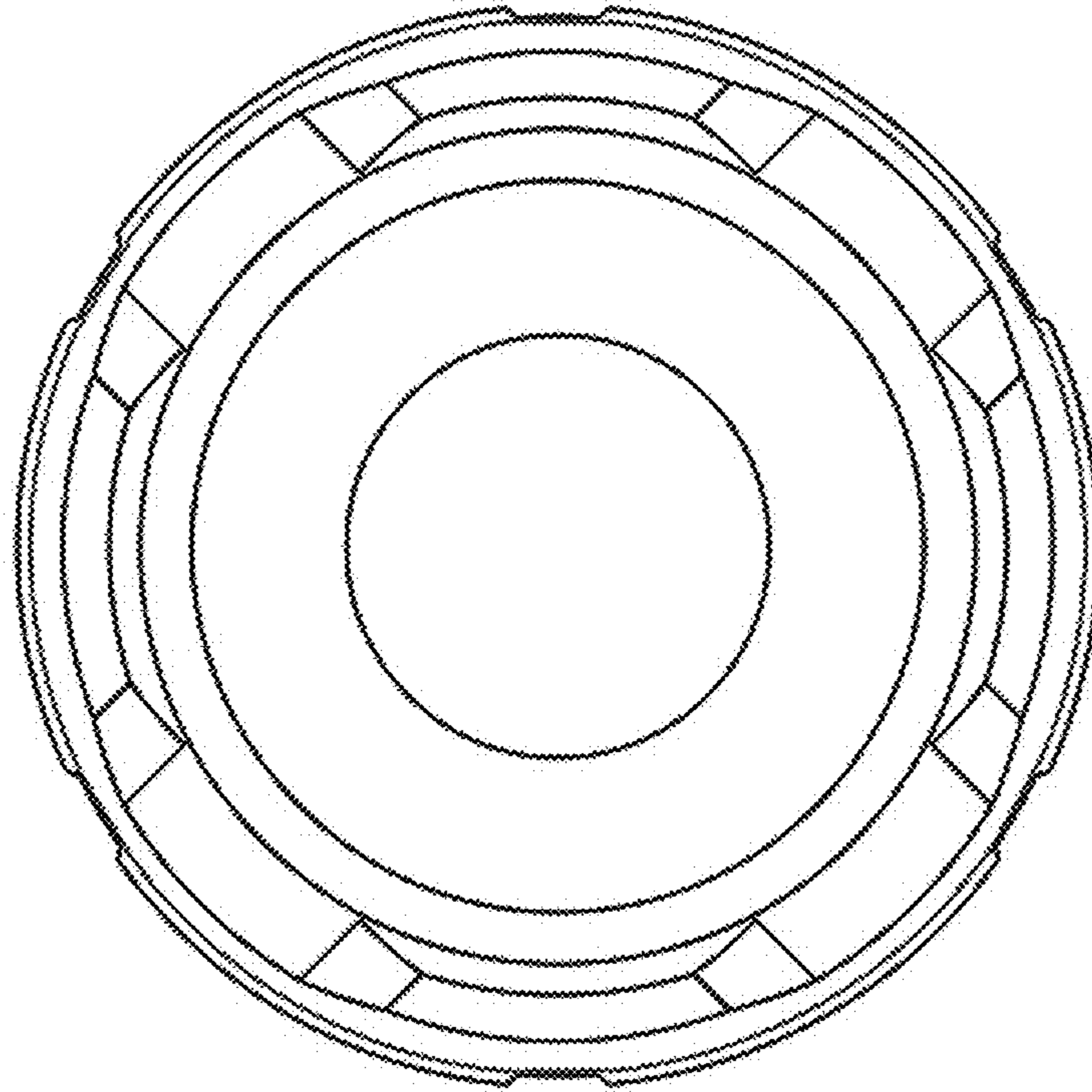


FIG. 5

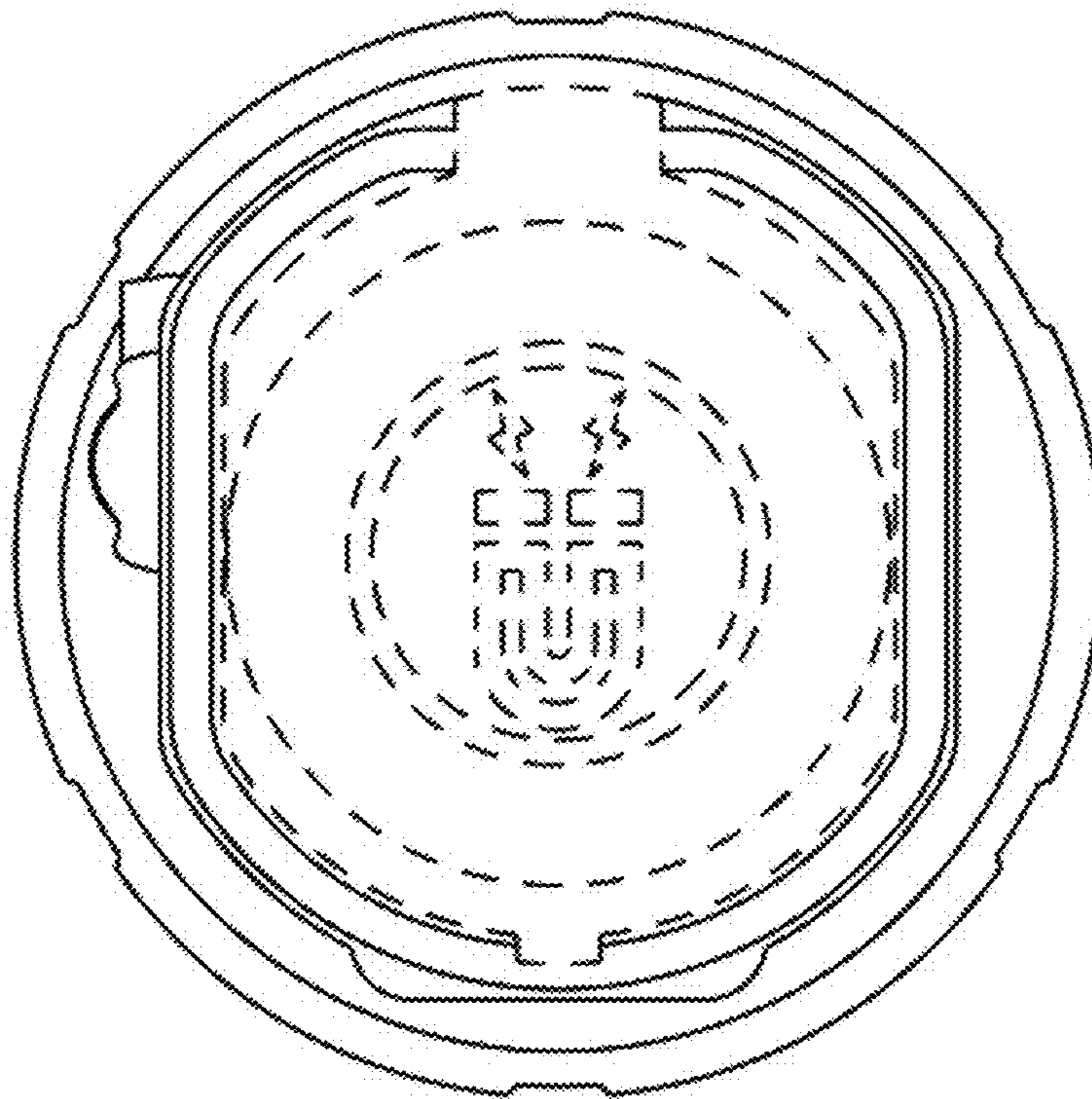


FIG. 6

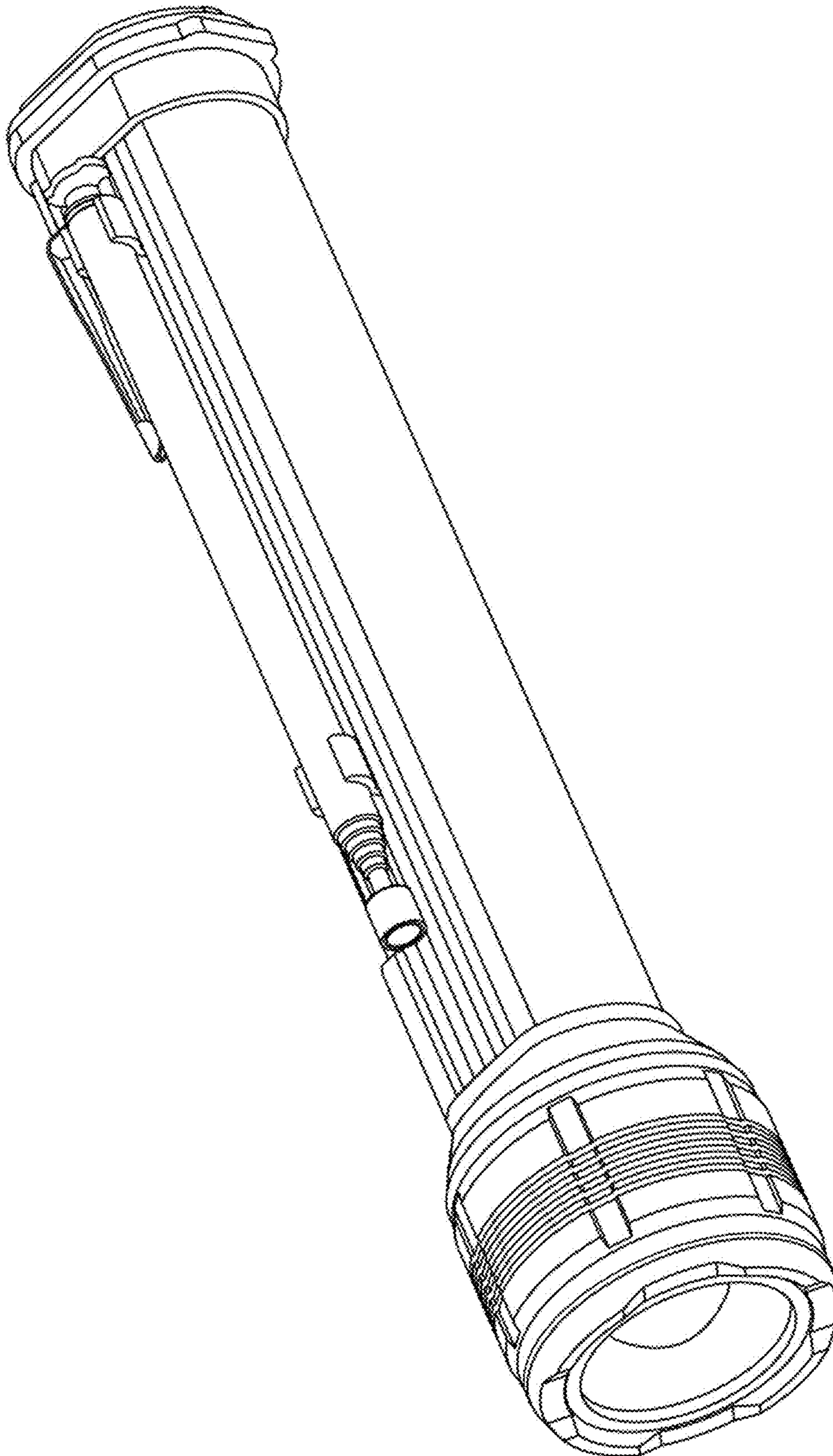


FIG.7