



US00D920550S

(12) **United States Design Patent**  
**Lin**

(10) **Patent No.:** **US D920,550 S**

(45) **Date of Patent:** **\*\* May 25, 2021**

(54) **AUTOMOBILE HEADLIGHT**

(71) Applicant: **Chi-Chung Lin**, Hsinchu (TW)

(72) Inventor: **Chi-Chung Lin**, Hsinchu (TW)

(\*\*) Term: **15 Years**

(21) Appl. No.: **29/734,594**

(22) Filed: **May 13, 2020**

(51) **LOC (13) Cl.** ..... **26-06**

(52) **U.S. Cl.**  
USPC ..... **D26/28**

(58) **Field of Classification Search**  
USPC ..... D26/28-36, 139

CPC ..... F21S 48/00; F21S 48/10; F21S 48/115;  
F21S 48/225; F21S 48/1233; F21S  
48/1266; F21S 48/1388; F21S 48/2268;  
F21V 5/00; F21V 21/04; F21V 29/004;  
B60Q 9/13; B60Q 9/135; B60Q 9/1375

See application file for complete search history.

(56) **References Cited**

**U.S. PATENT DOCUMENTS**

D506,842 S \* 6/2005 Nagura ..... D26/28  
D524,466 S \* 7/2006 Essig ..... D26/28

D542,442 S \* 5/2007 Matsunami ..... D26/28  
D552,768 S \* 10/2007 Leclercq ..... D26/28  
D570,007 S \* 5/2008 Hsu ..... D26/28  
D573,281 S 7/2008 Hsu  
D717,983 S 11/2014 Lai

\* cited by examiner

*Primary Examiner* — Marcus A Jackson

(74) *Attorney, Agent, or Firm* — Alexander Chen, Esq.

(57) **CLAIM**

The ornamental design for an automobile headlight, as shown and described.

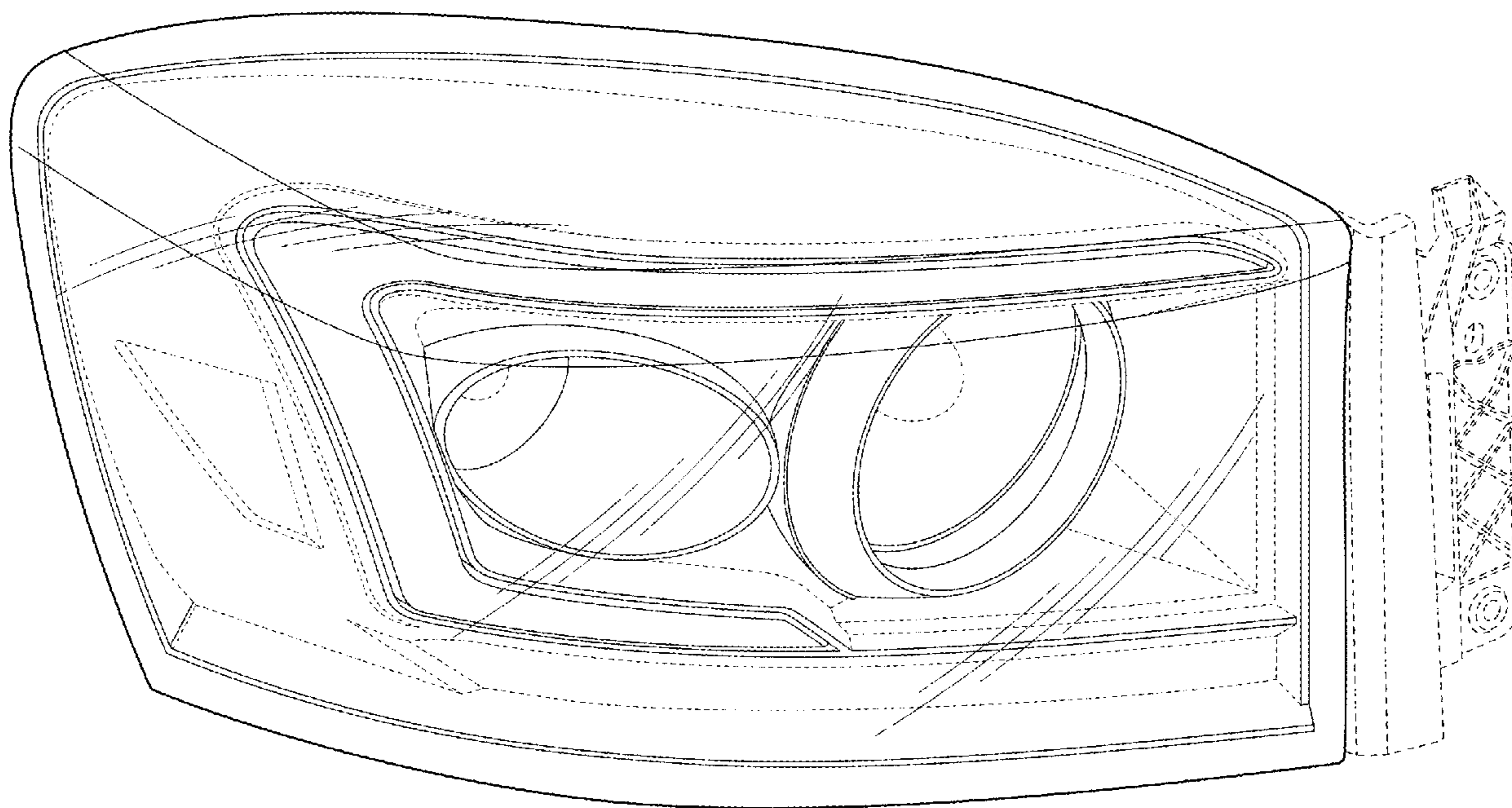
**DESCRIPTION**

FIG. 1 is a perspective view of an automobile headlight; FIG. 2 is a front view thereof; FIG. 3 is a side view thereof; FIG. 4 is a top view thereof; and, FIG. 5 is a bottom view thereof.

The broken lines are included to show environmental structure and form no part of the claimed design.

The drawings and descriptions represent the left side embodiment. The claim is also for a mirror image right side embodiment.

**1 Claim, 5 Drawing Sheets**



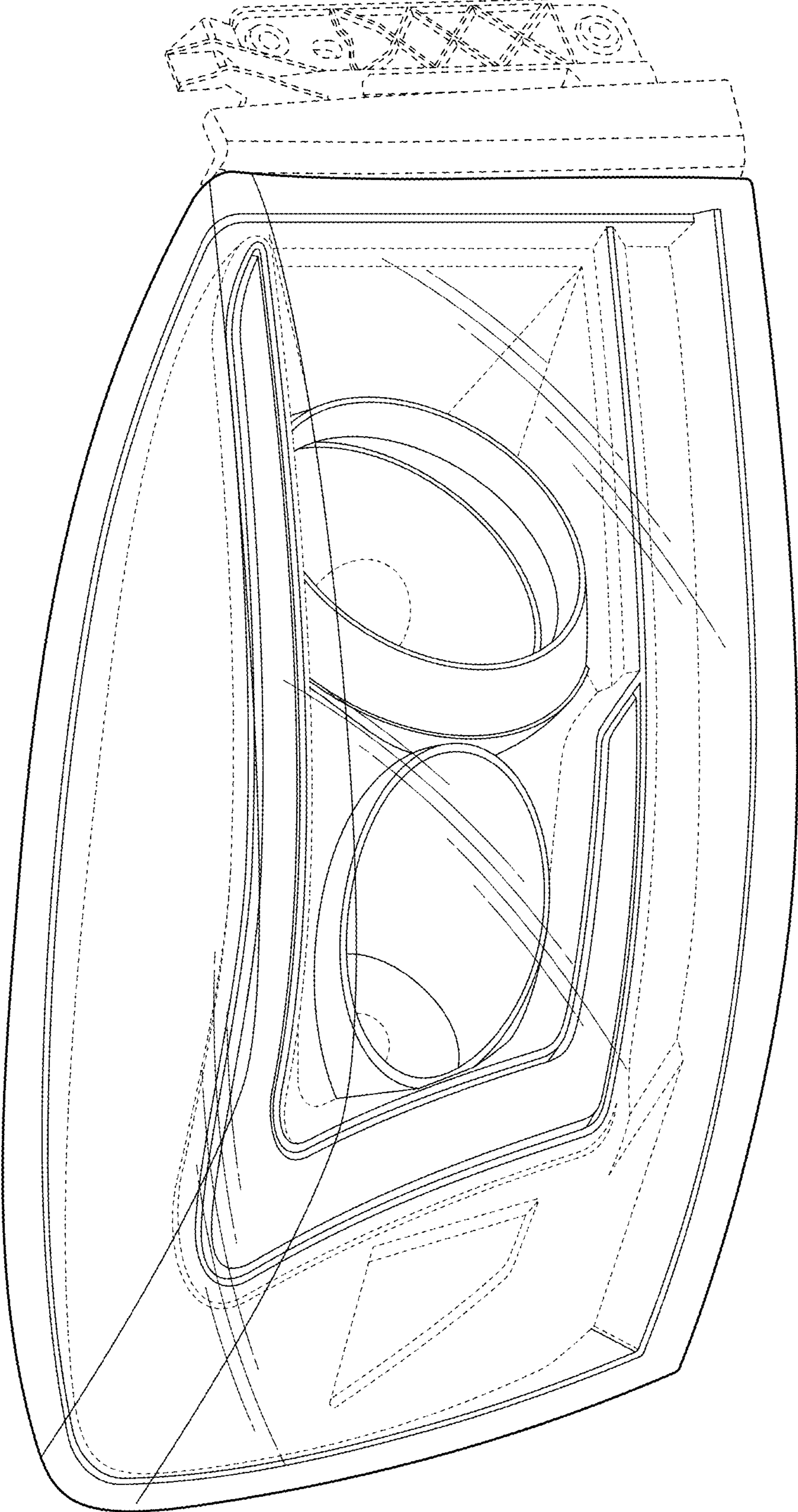


FIG. 1

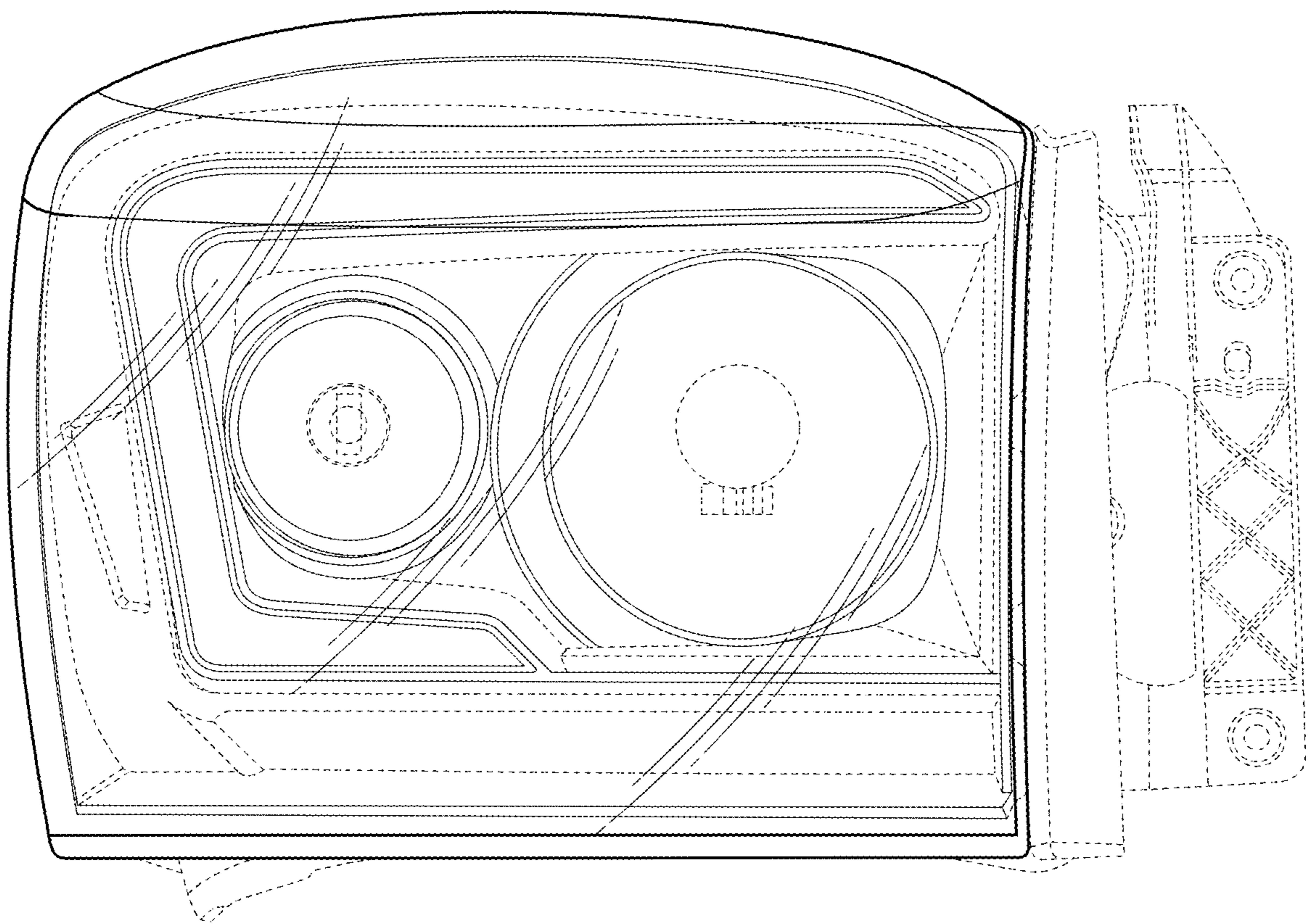


FIG. 2

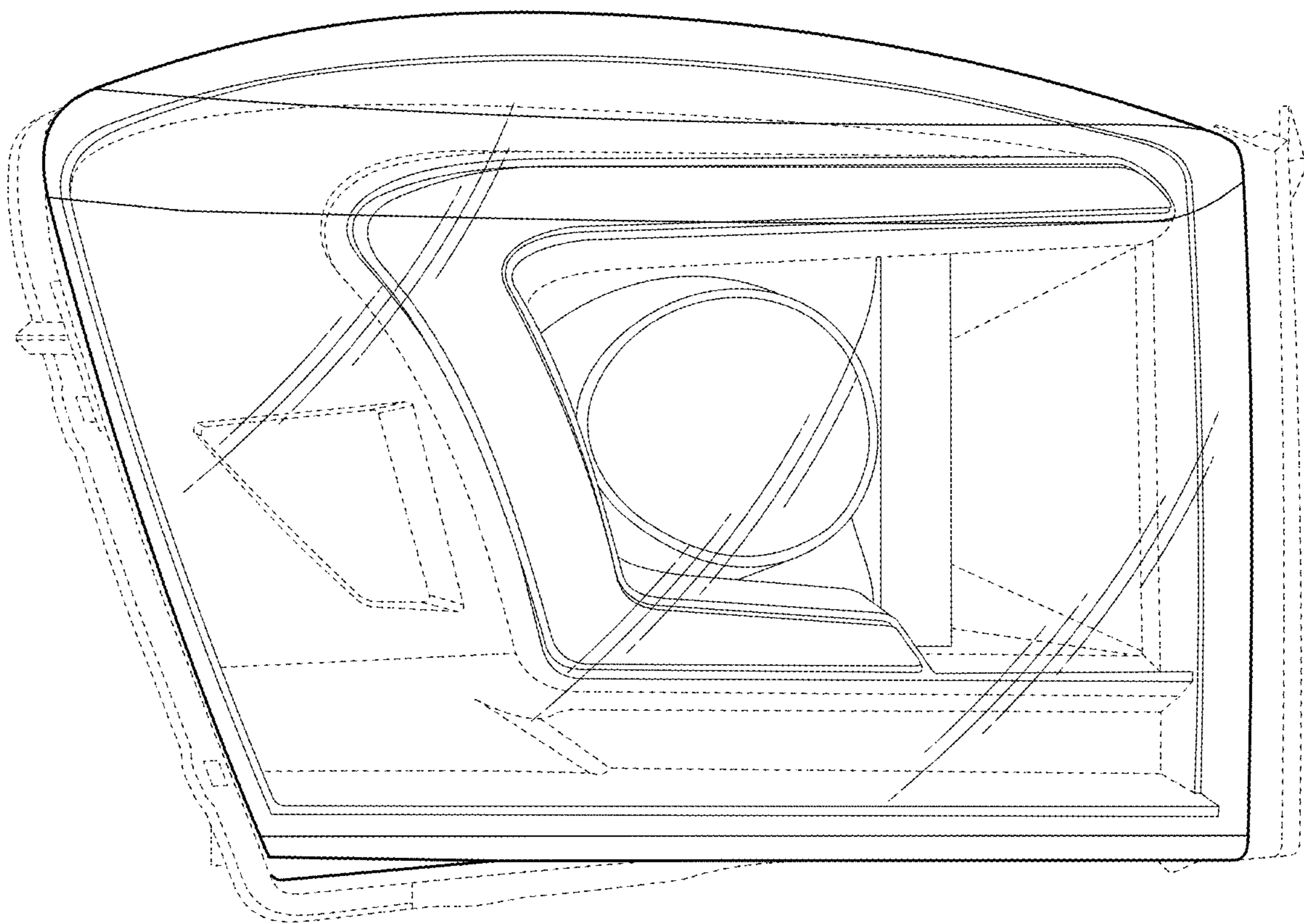


FIG. 3

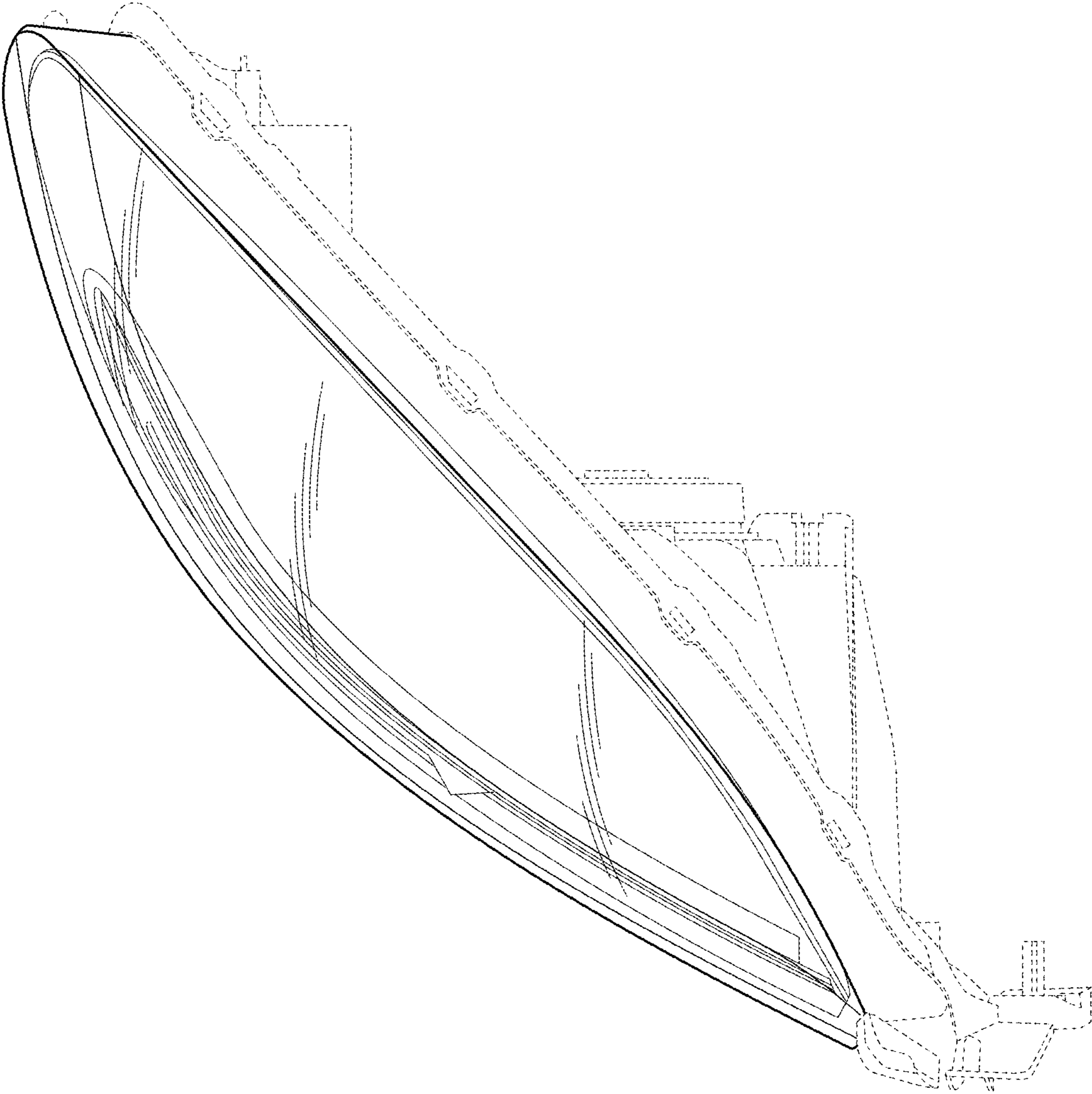


FIG. 4

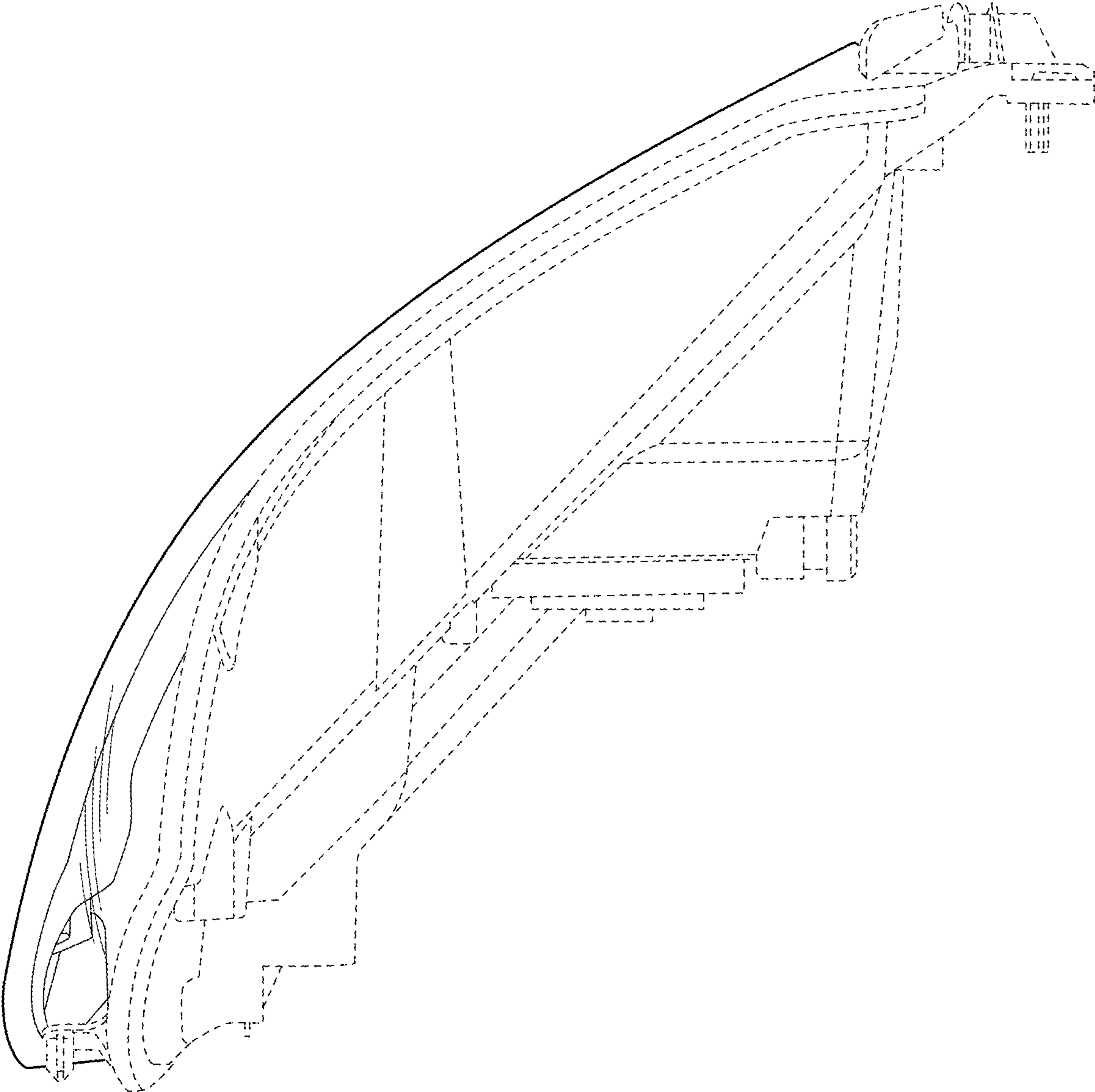


FIG. 5