



US00D920546S

(12) **United States Design Patent**
Lin

(10) **Patent No.:** **US D920,546 S**

(45) **Date of Patent:** **** *May 25, 2021**

(54) **AUTOMOBILE HEADLIGHT**

(71) Applicant: **Chi-Chung Lin**, Hsinchu (TW)

(72) Inventor: **Chi-Chung Lin**, Hsinchu (TW)

(*) Notice: This patent is subject to a terminal disclaimer.

(**) Term: **15 Years**

(21) Appl. No.: **29/722,064**

(22) Filed: **Jan. 25, 2020**

(51) **LOC (13) Cl.** **26-06**

(52) **U.S. Cl.**
USPC **D26/28**

(58) **Field of Classification Search**
USPC D26/28-36, 139
CPC F21S 48/00; F21S 48/10; F21S 48/115;
F21S 48/225; F21S 48/1233; F21S
48/1266; F21S 48/1388; F21S 48/2268;
F21V 21/04; F21V 29/004; B60Q 9/13;
B60Q 9/135; B60Q 9/1375
See application file for complete search history.

(56) **References Cited**

U.S. PATENT DOCUMENTS

D535,043 S 1/2007 Otsubo et al.
D595,437 S * 6/2009 Kurisu D26/28
D674,522 S * 1/2013 Bieling D26/28
D677,409 S * 3/2013 Binder D26/28

D679,429 S * 4/2013 Frenzel D26/28
D717,478 S 11/2014 Perini
D741,529 S * 10/2015 Glover D26/28
D747,518 S 1/2016 Lai
D747,821 S * 1/2016 Yoshida D26/28
D759,275 S 6/2016 Hwang
D787,718 S 5/2017 Lai
D803,434 S 11/2017 Cotner et al.
D824,054 S 7/2018 Lin
D825,084 S * 8/2018 Haizuka D26/28
D868,315 S 11/2019 Lin

* cited by examiner

Primary Examiner — Marcus A Jackson

(74) *Attorney, Agent, or Firm* — Alexander Chen, Esq.

(57) **CLAIM**

The ornamental design for an automobile headlight, as shown and described.

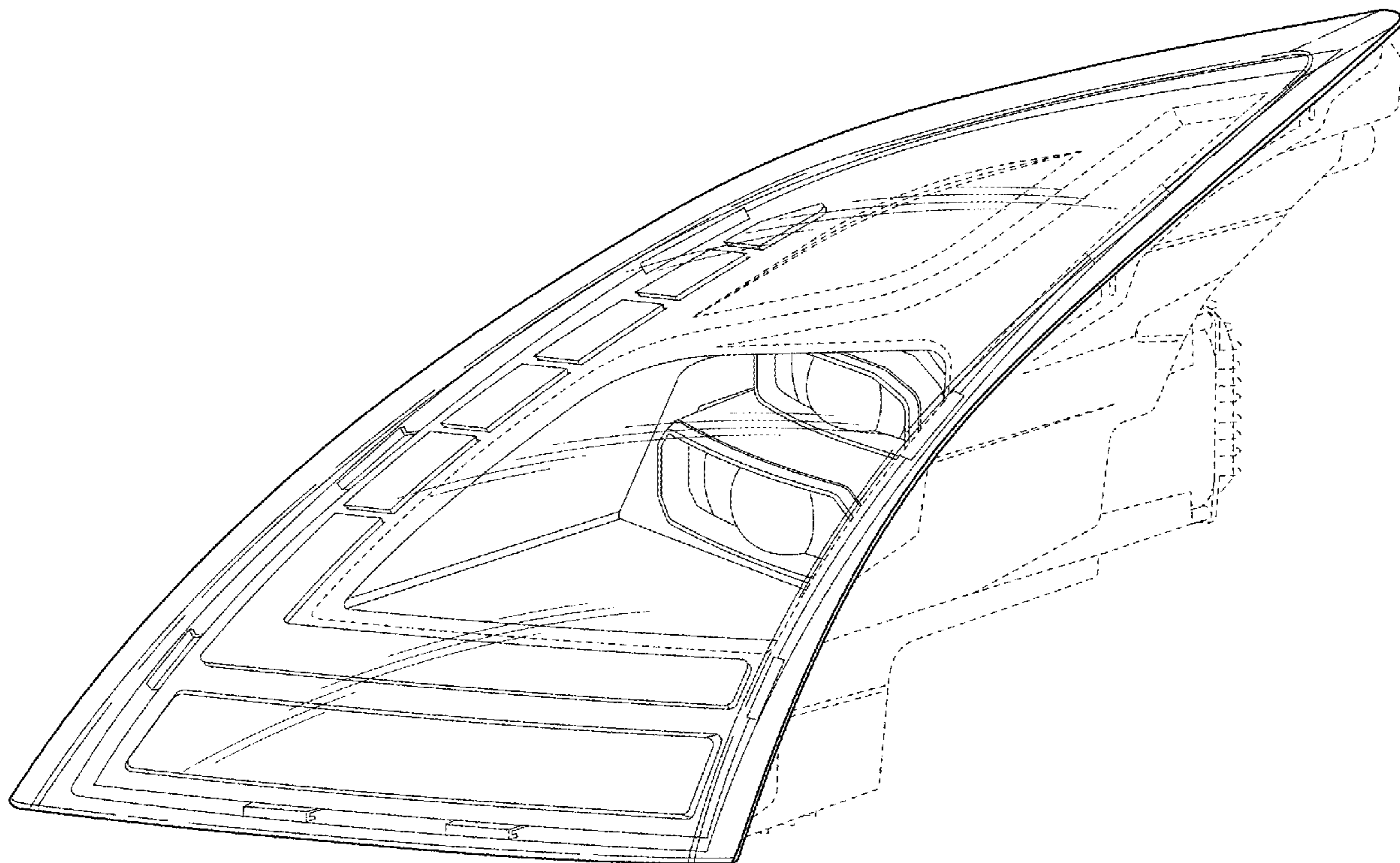
DESCRIPTION

FIG. 1 is a perspective view of an automobile headlight; FIG. 2 is a front view thereof; FIG. 3 is a side view thereof; and, FIG. 4 is a top view thereof.

The broken lines are included to show environmental structure and form no part of the claimed design.

The drawings and descriptions represent the left side embodiment. The claim is also for a mirror image right side embodiment.

1 Claim, 4 Drawing Sheets



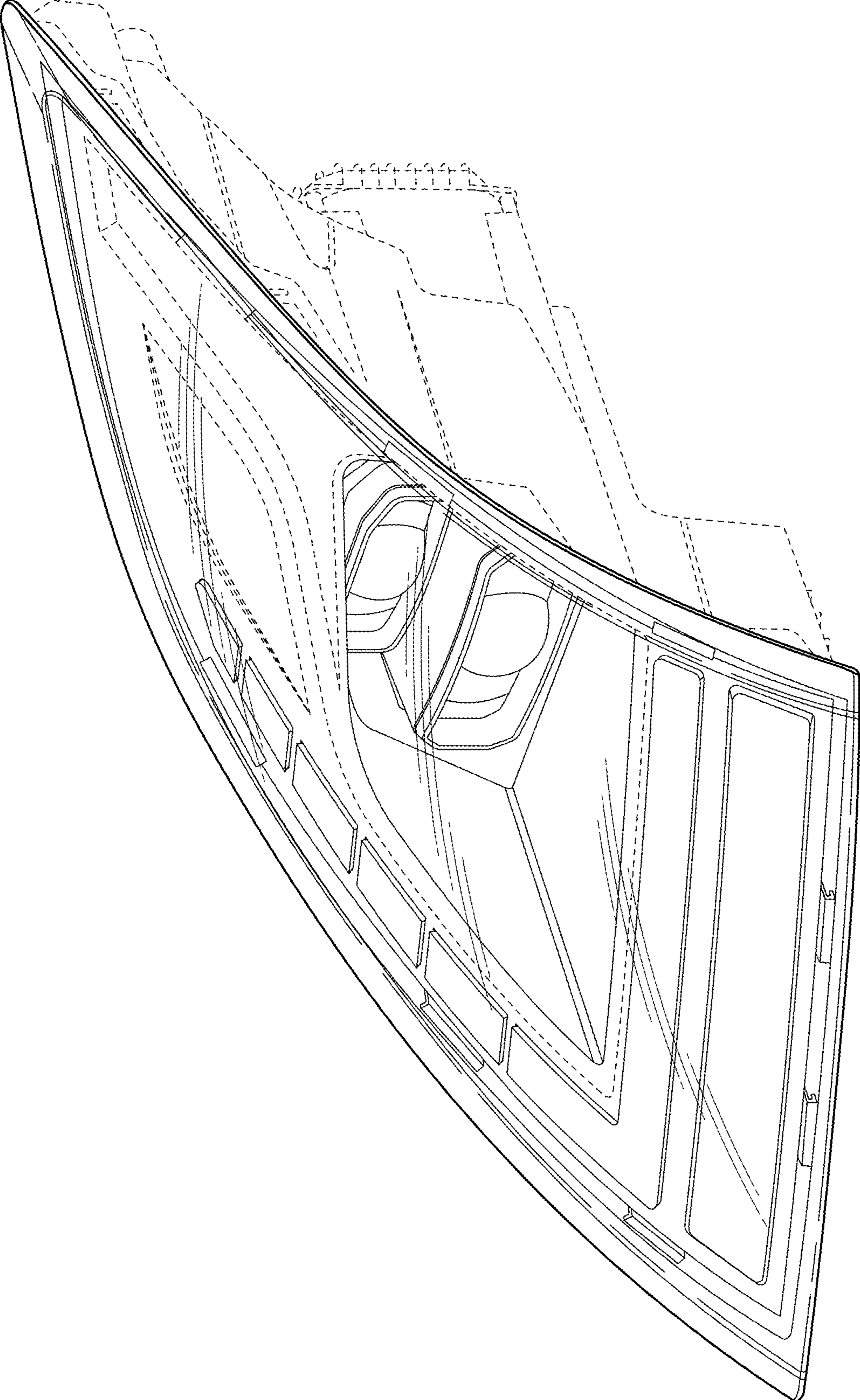


FIG. 1

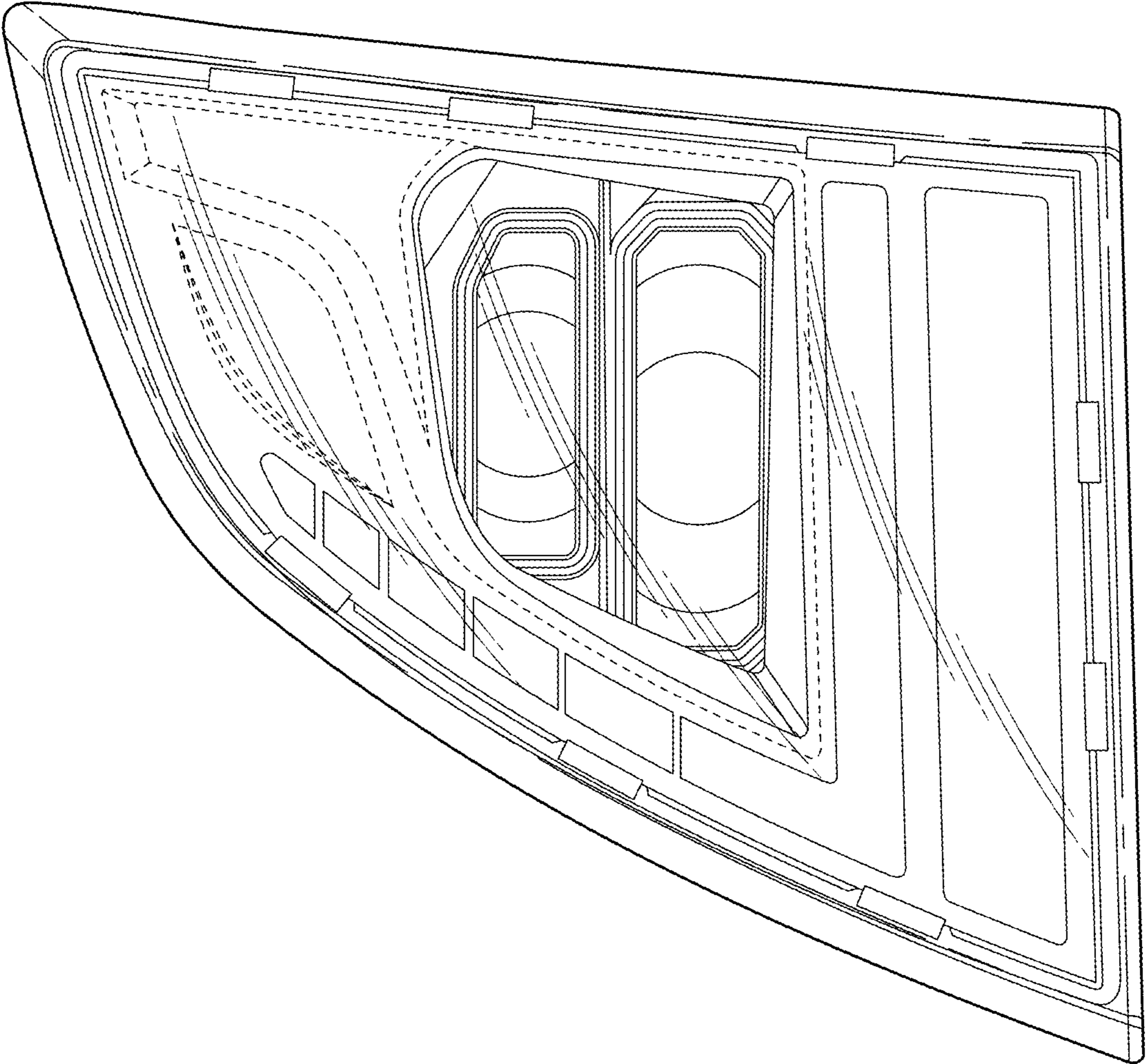


FIG. 2

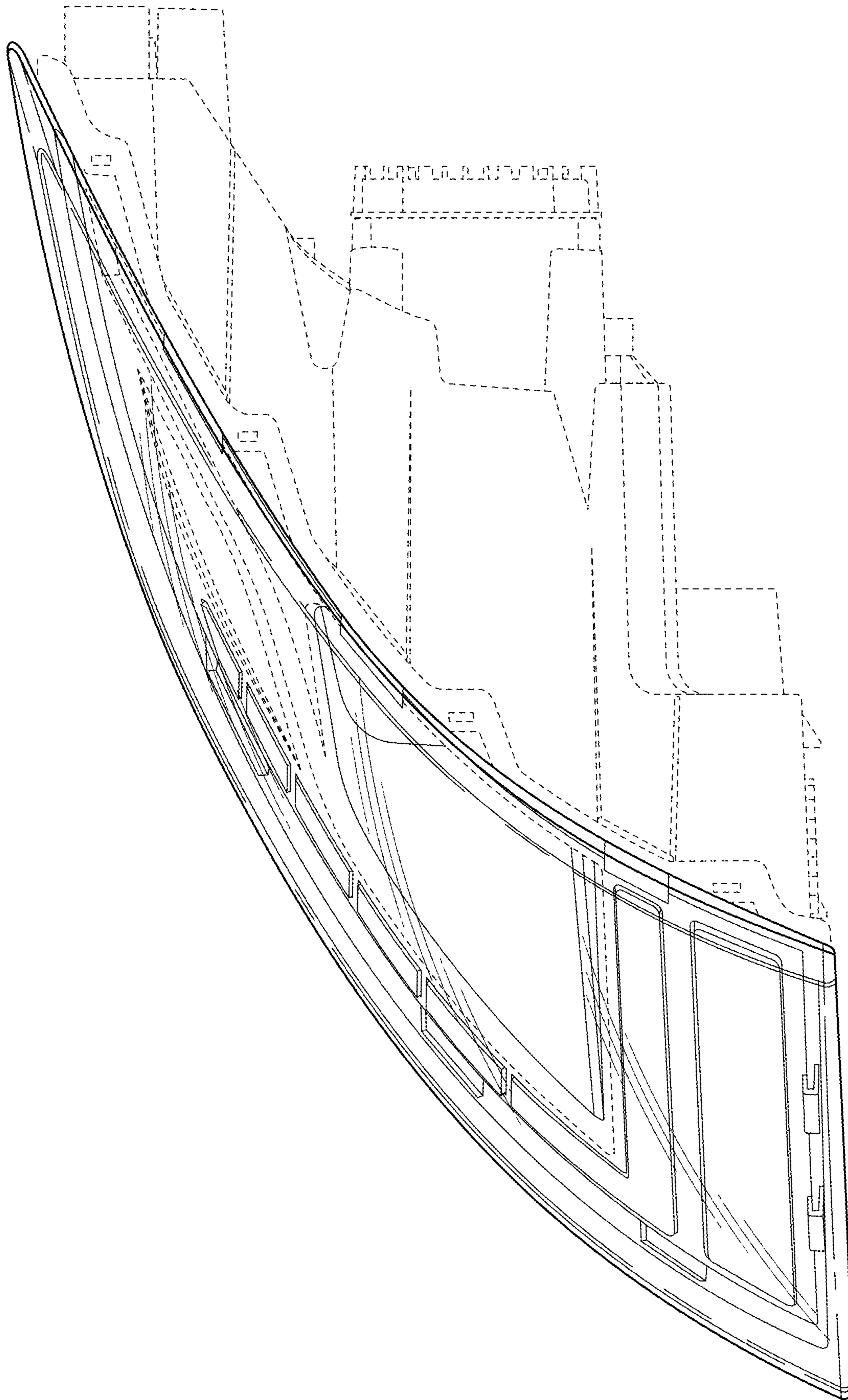


FIG. 3

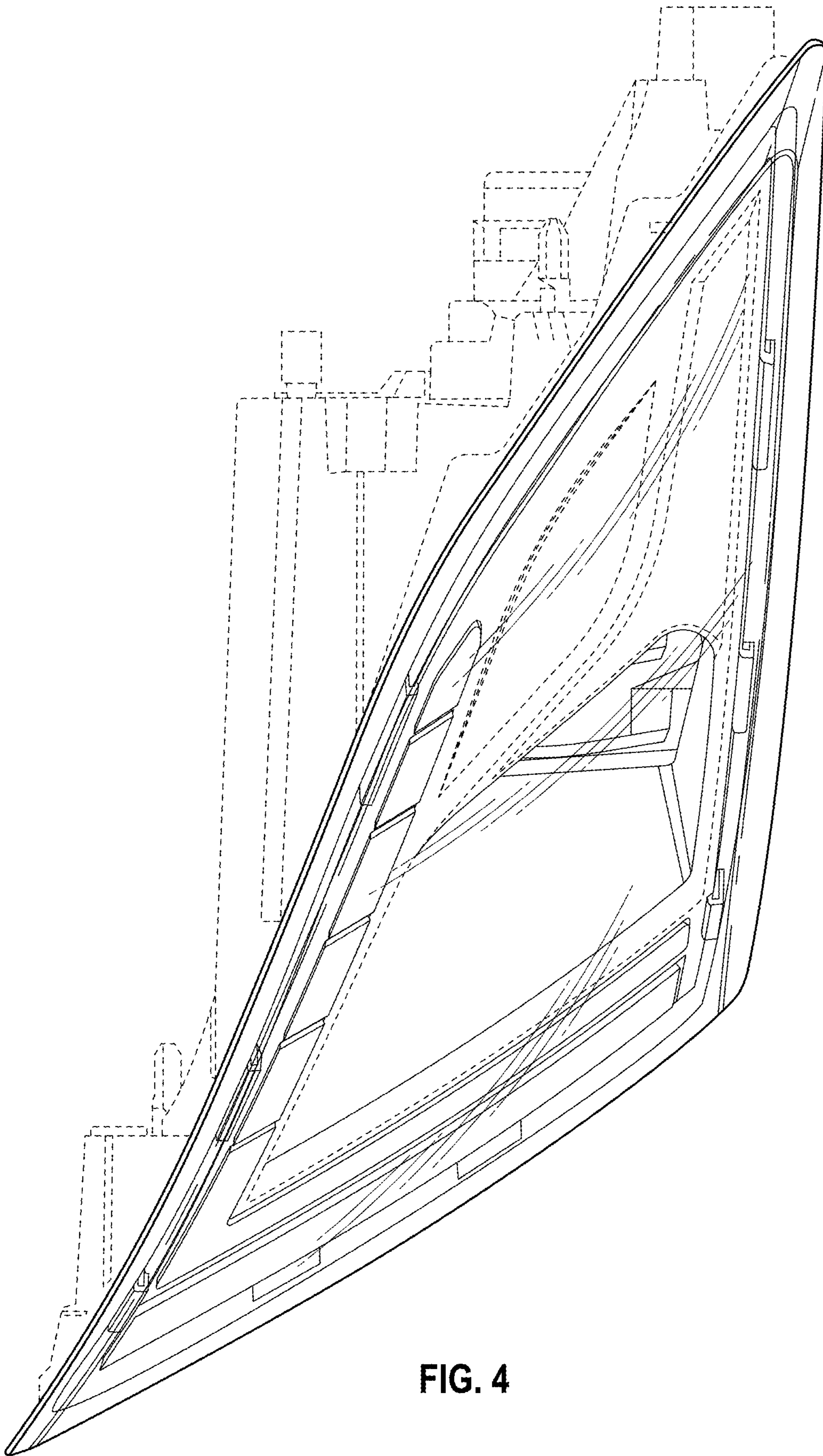


FIG. 4