



US00D920542S

(12) **United States Design Patent** (10) **Patent No.:** **US D920,542 S**
Amirault (45) **Date of Patent:** **** May 25, 2021**

(54) **SUPPORT FOR A FLAMELESS CANDLE**
(71) Applicant: **Sterno Products, LLC.,** Corona, CA (US)
(72) Inventor: **David Amirault,** Corona, CA (US)
(73) Assignee: **Sterno Products, LLC,** Corona, CA (US)
(**) Term: **15 Years**

3,267,700 A 8/1966 Kommer et al.
3,547,569 A * 12/1970 Fenton F21V 35/00
431/295
3,604,919 A * 9/1971 MacPherson B60Q 3/14
362/632
4,260,365 A 4/1981 Kayne
D264,004 S * 4/1982 Swan D26/23
4,608,011 A 8/1986 Comstock
5,651,669 A 7/1997 Henry
5,722,763 A 3/1998 Chen
D497,680 S * 10/2004 McMinn D26/23
(Continued)

(21) Appl. No.: **29/689,769**
(22) Filed: **May 1, 2019**
(51) **LOC (13) Cl.** **26-01**
(52) **U.S. Cl.**
USPC **D26/22**
(58) **Field of Classification Search**
USPC D1/106, 107, 108, 109, 114, 115;
D26/1-17, 19-24, 28-38, 40, 41, 43-45,
D26/51, 55, 72, 74
CPC F21H 1/00; F21H 1/02; F21H 1/04; F21H
5/00; F21H 7/00; F21L 2/00; F21L 19/00;
F21L 19/003; F21L 19/006; F21S 2/00;
F21S 2/005; F21S 6/00; F21S 6/001;
F21S 9/00; F21S 9/02; F21S 43/00; F21V
15/00; F21V 35/00; F21V 35/003; F21V
35/006; F21V 37/0095; F21W 2103/00;
F21W 2103/20; F21W 2121/00; F21W
2121/002; F21W 2121/04; H01K 5/00
See application file for complete search history.

OTHER PUBLICATIONS

Amazon, "Iron Nickel Finish Candle Holder", first available Apr. 21, 2018. (<https://www.amazon.com/Nickel-Finish-Candle-Holder-Hardware/dp/B07CK41NJS/>) (Year: 2018).*
(Continued)

Primary Examiner — April Rivas
Assistant Examiner — Justin A Johnson
(74) *Attorney, Agent, or Firm* — Stetina Brunda Garred and Brucker

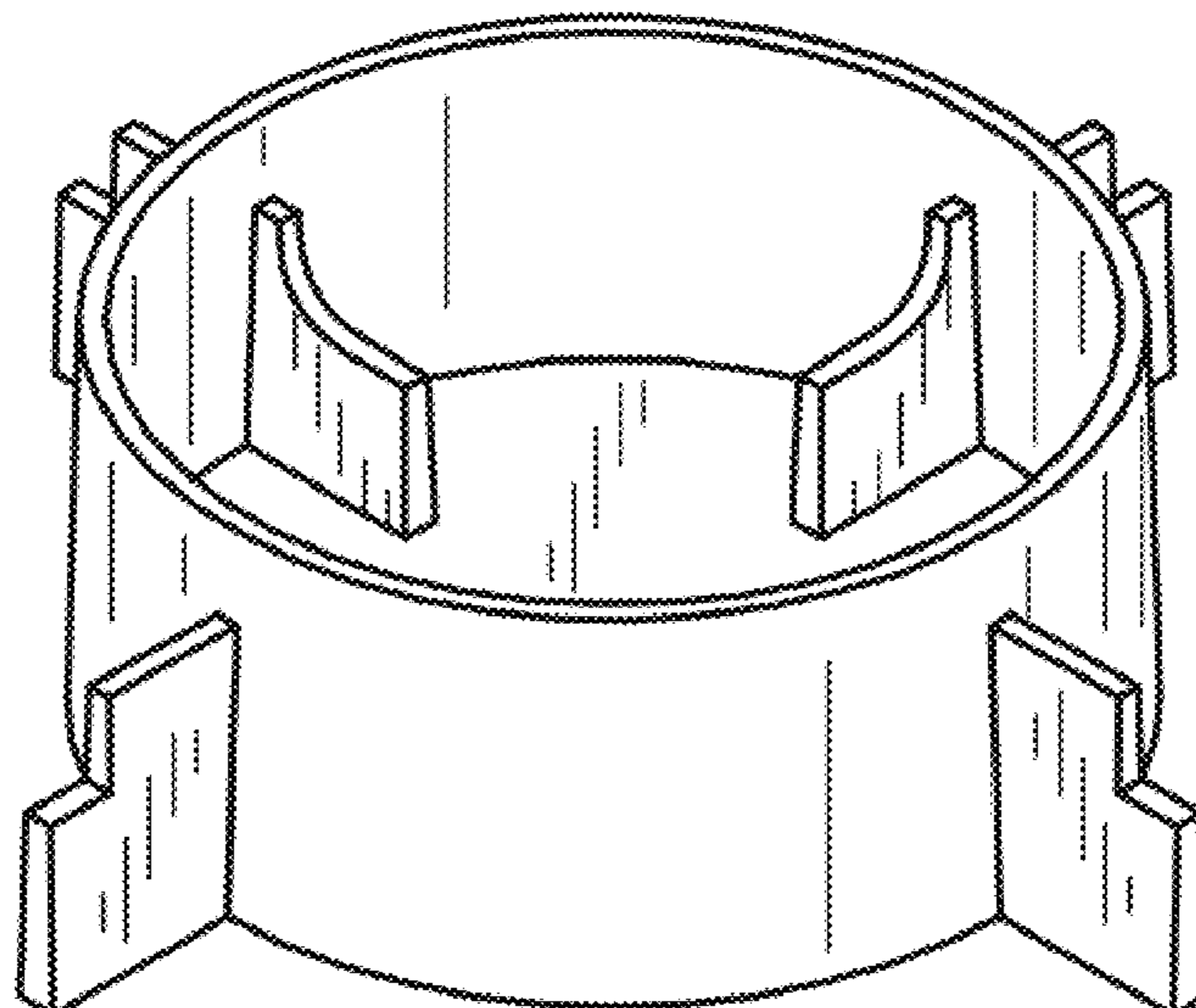
(57) **CLAIM**
The ornamental design for a support for a flameless candle, as shown and described.

DESCRIPTION

FIG. 1 is a top perspective view of the support for a flameless candle of this invention;
FIG. 2 is a bottom perspective view of the support of FIG. 1;
FIG. 3 is a front view of the support of FIG. 1;
FIG. 4 is a right-side view of the support of FIG. 1;
FIG. 5 is a left-side view of the support of FIG. 1;
FIG. 6 is a back-side view of the support of FIG. 1;
FIG. 7 is a top view of the support of FIG. 3; and,
FIG. 8 is a bottom view of the support of FIG. 3.

1 Claim, 2 Drawing Sheets

(56) **References Cited**
U.S. PATENT DOCUMENTS
1,746,966 A 2/1930 Purcell
1,974,375 A 9/1934 Will
1,975,496 A 10/1934 Barrett, Jr.
2,034,166 A 3/1936 Will et al.
RE20,434 E 7/1937 Barrett, Jr.
D153,650 S 5/1949 Ulvad



(56)

References Cited

U.S. PATENT DOCUMENTS

9,360,208	B2	6/2016	Chen et al.	
D788,953	S *	6/2017	Khan	F21V 35/00 D26/22
D790,088	S *	6/2017	Yeffet	B65D 51/26 D26/22
D841,194	S *	2/2019	Carbone	B60Q 3/14 D26/3
10,697,139	B1 *	6/2020	Goodwin	F21L 2/00
2002/0180616	A1 *	12/2002	Laidman	B60Q 7/00 340/908.1
2006/0158887	A1 *	7/2006	Holder	F21V 5/04 362/341
2007/0287117	A1	12/2007	Chang	
2009/0303702	A1 *	12/2009	Ellis	F21V 23/04 362/183
2010/0002425	A1 *	1/2010	Tsai	F21S 9/03 362/223
2012/0018317	A1 *	1/2012	Rein	B65D 51/26 206/216

OTHER PUBLICATIONS

Amazon, "Taper Candle Holder", first available Jul. 22, 2019. (<https://www.amazon.com/Candle-Holder-Standard-Package-Candleholder/dp/B006X0JDHC>) (Year: 2019).*

Sterno, "Allure Real Flame, No. Mess Candle", first accessed Mar. 3, 2021. (<https://www.sternopro.com/mwdownloads/download/link/id/366/>) (Year: 2021).*

S&R Fastener, "Front Clearance Lamp Nut", first accessed Mar. 3, 2021. (<https://srfast.com/product/front-clearance-lamp-nut-pkg-of-10/>) (Year: 2021).*

* cited by examiner

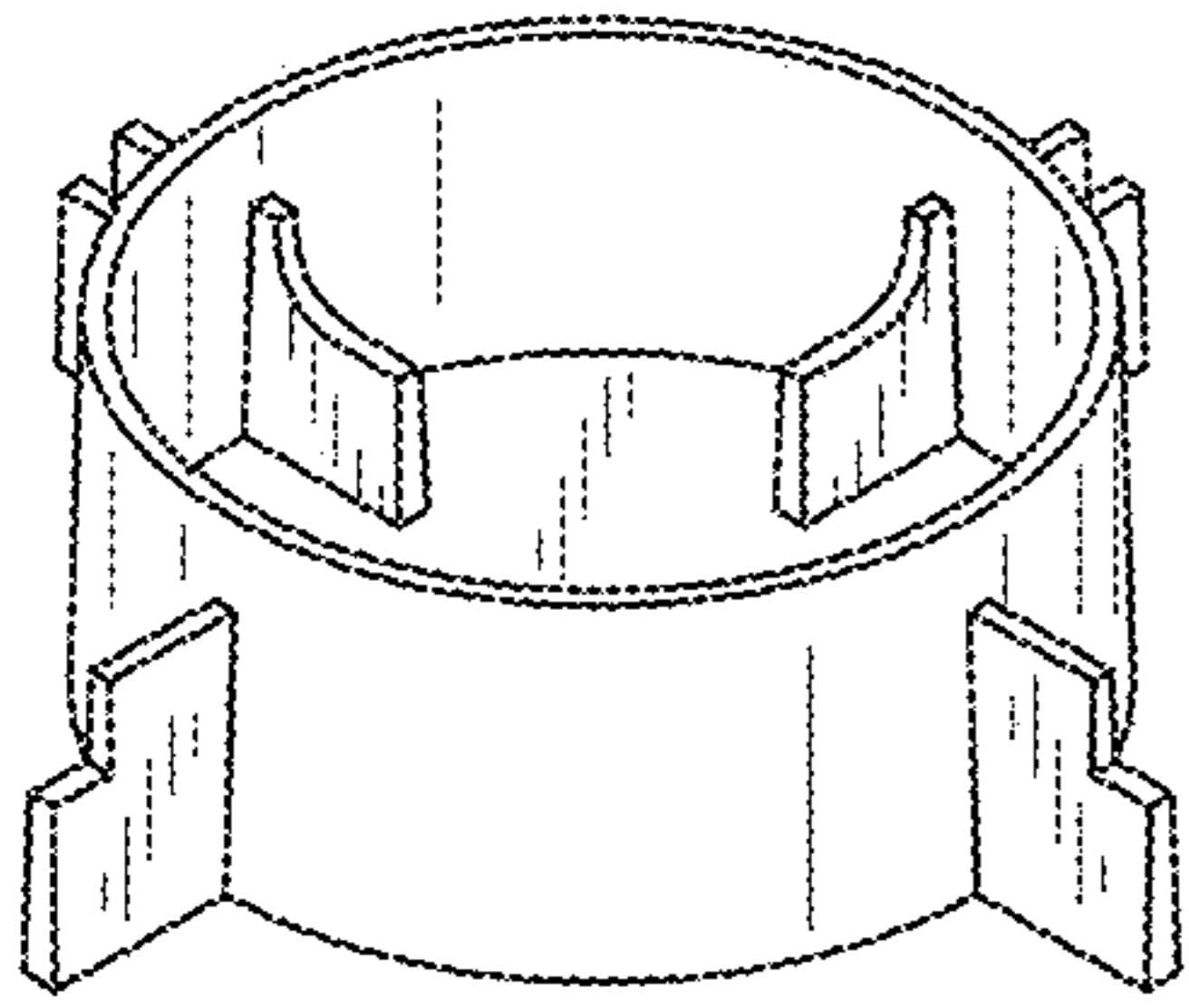


Fig. 1

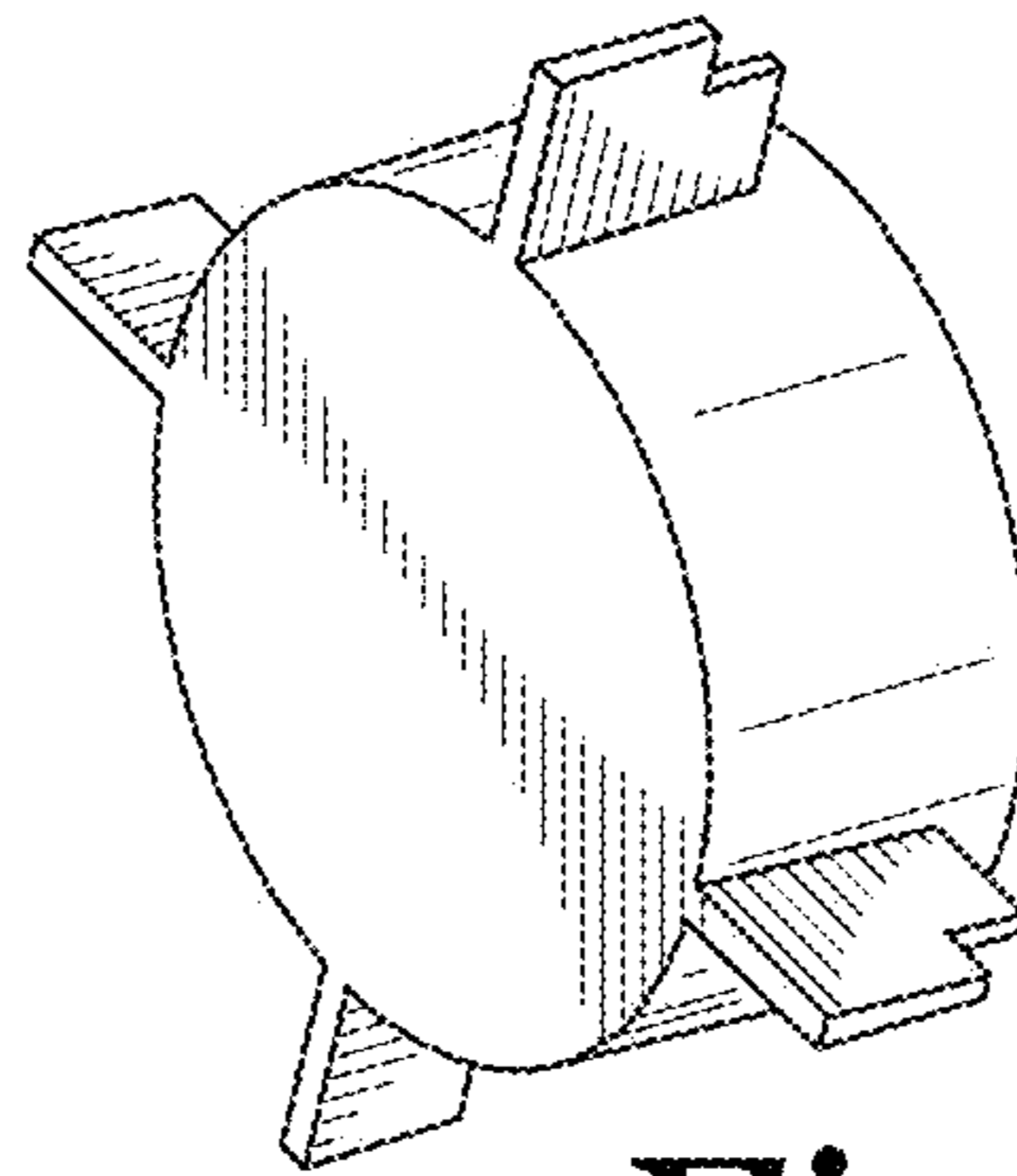


Fig. 2

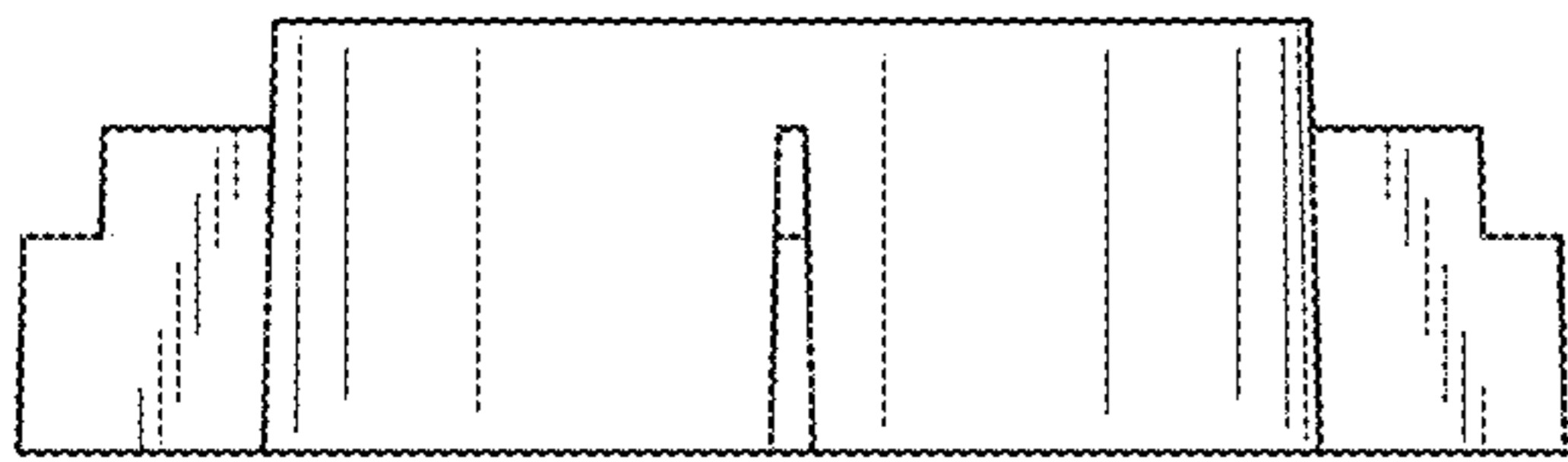


Fig. 3

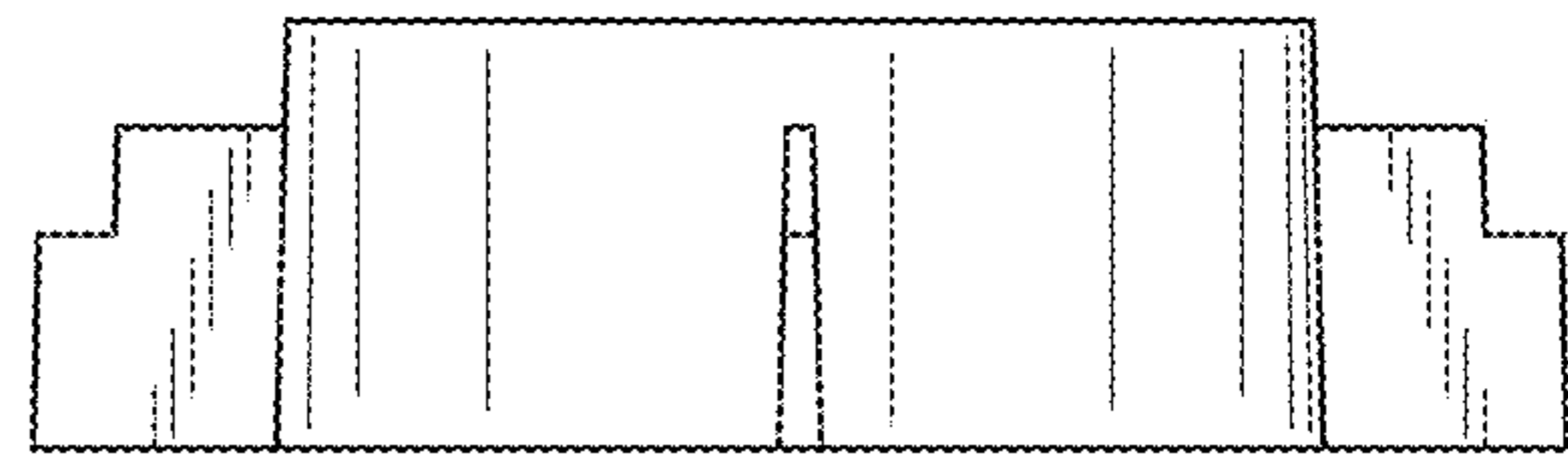


Fig. 4

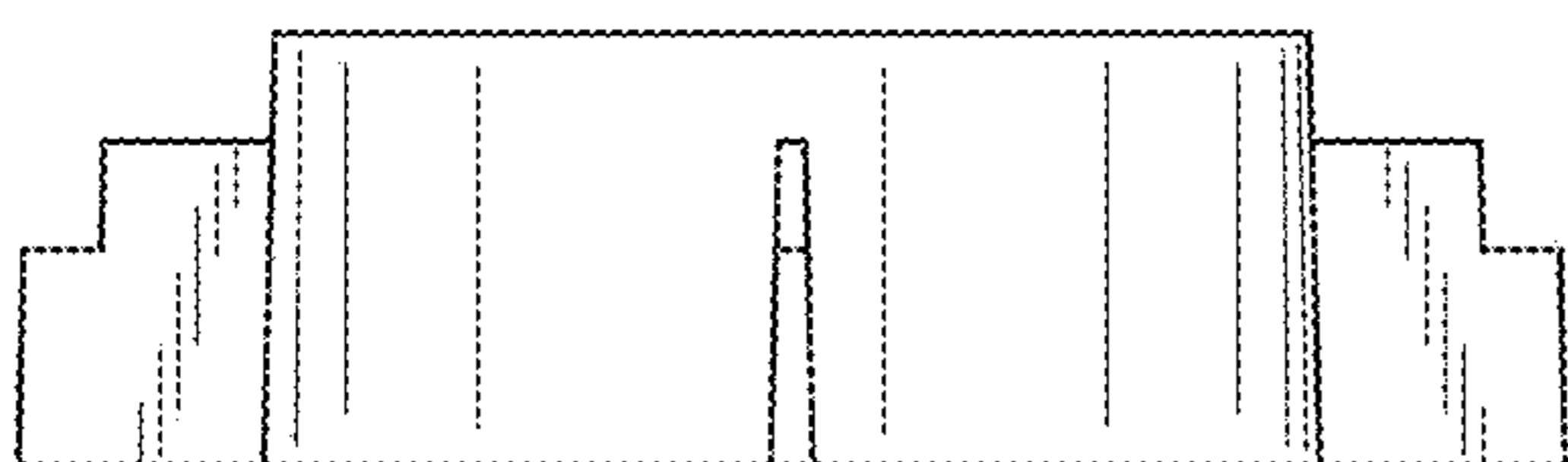


Fig. 5

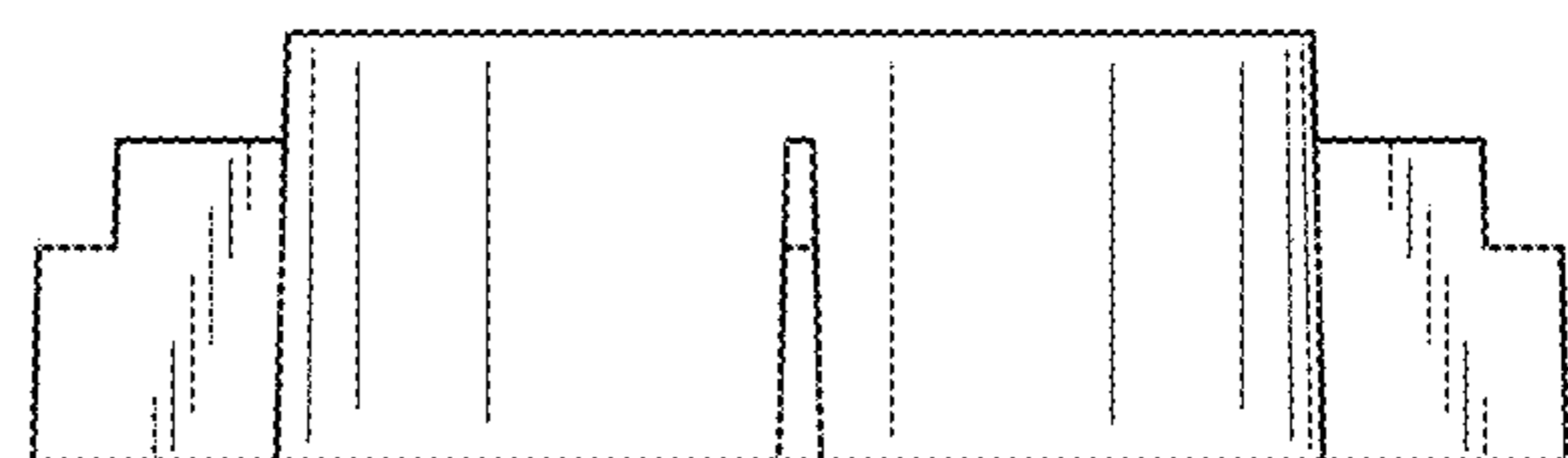


Fig. 6

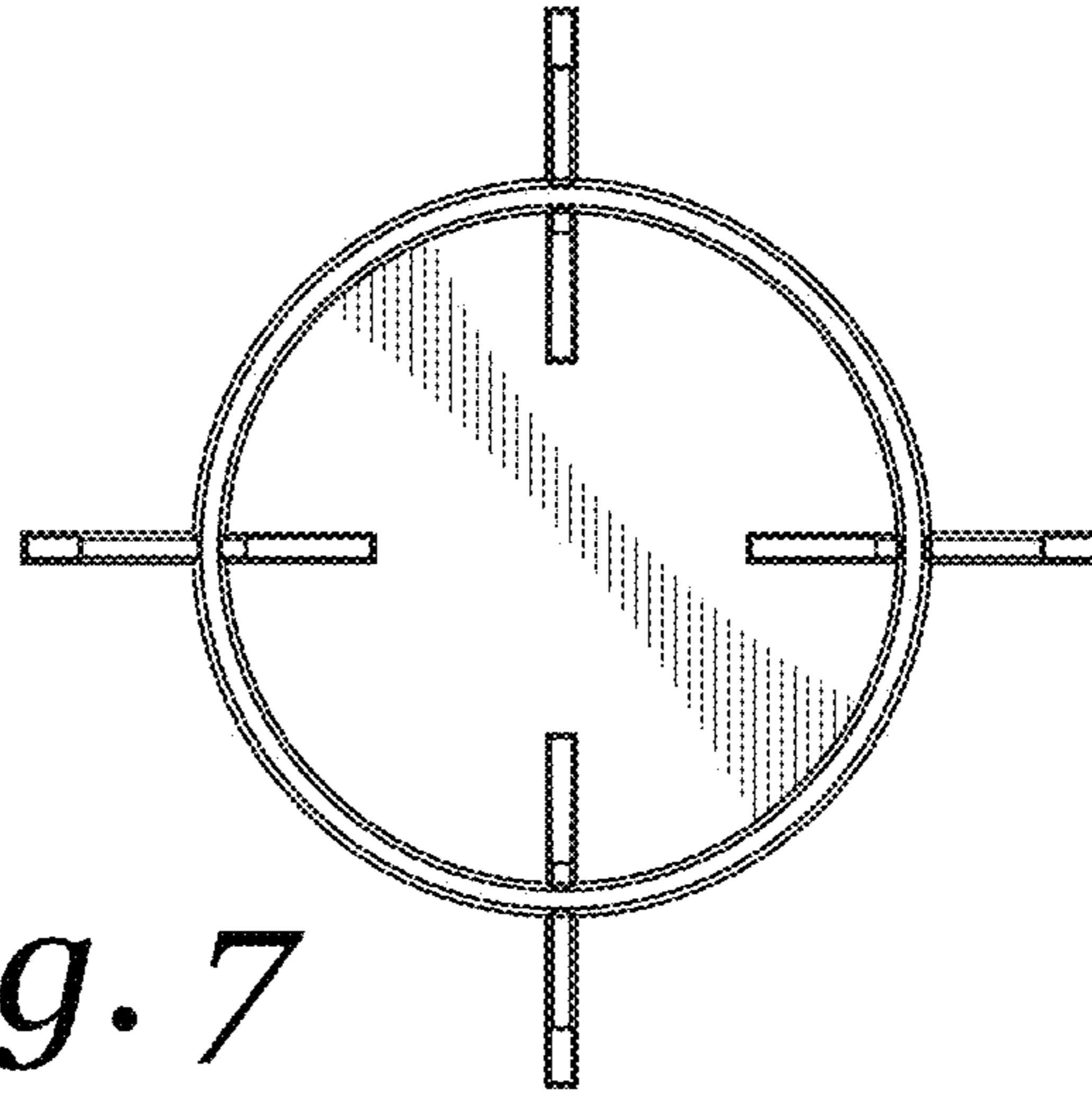


Fig. 7

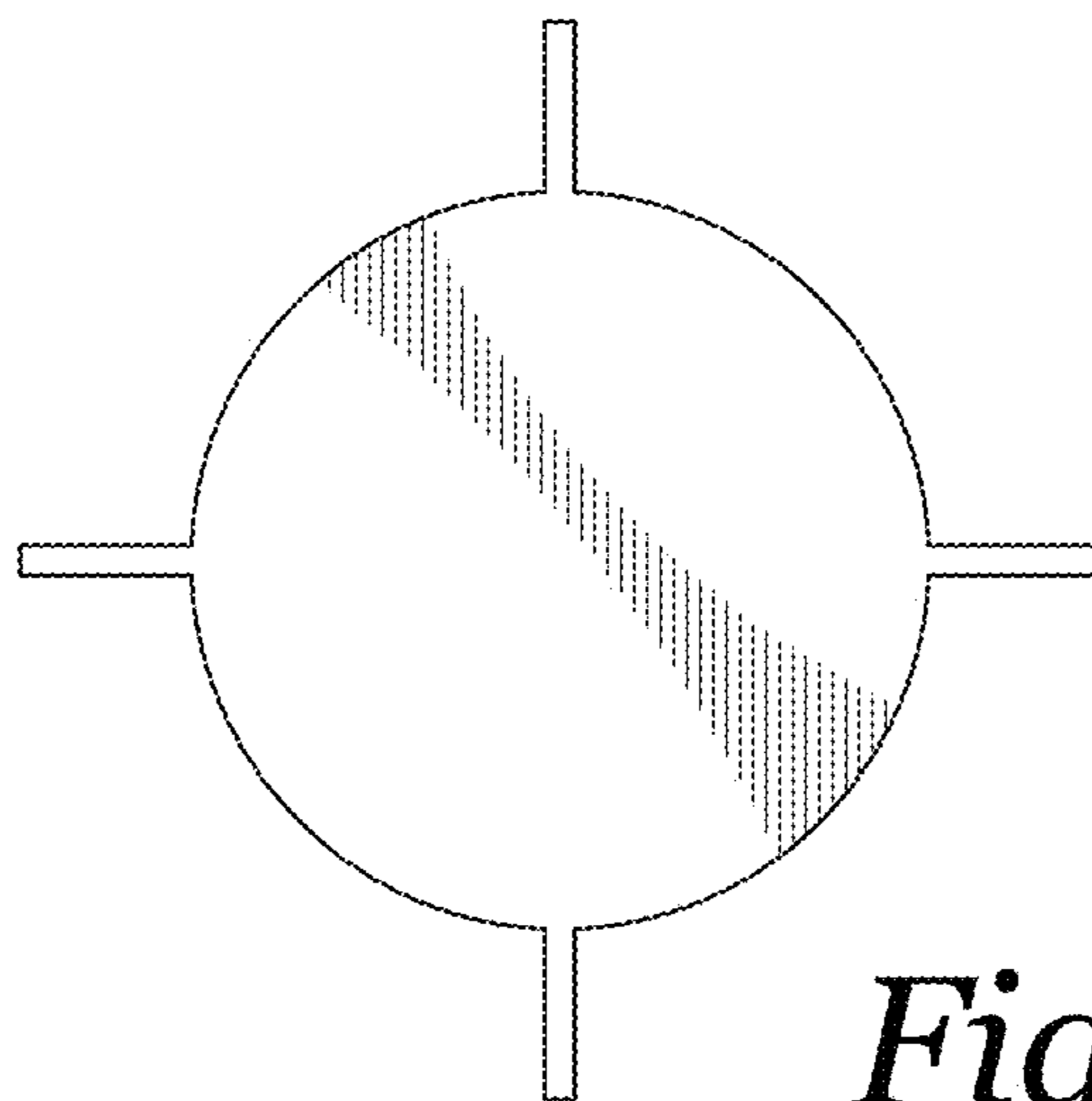


Fig. 8