



US00D920541S

(12) **United States Design Patent** (10) **Patent No.:** **US D920,541 S**
Mittanck et al. (45) **Date of Patent:** **** May 25, 2021**

(54) **LADDER**
(71) Applicant: **LITTLE GIANT LADDER SYSTEMS, LLC**, Springville, UT (US)
(72) Inventors: **Travis Mittanck**, Springville, UT (US); **Brian B. Russell**, Saratoga Springs, UT (US)
(73) Assignee: **LITTLE GIANT LADDER SYSTEMS, LLC**, Springville, UT (US)
(**) Term: **15 Years**
(21) Appl. No.: **29/657,373**
(22) Filed: **Jul. 20, 2018**
(51) **LOC (13) Cl.** **25-04**
(52) **U.S. Cl.**
USPC **D25/64**
(58) **Field of Classification Search**
USPC D25/62-65, 68, 69; 182/165, 194, 22, 182/23, 93, 180.1, 156, 166, 111, 152, 182/180.2, 179.1, 201, 159, 162, 106, 26, 182/115, 163, 161, 110
CPC ... E06C 1/383; E06C 1/14; E06C 5/02; E06C 7/10; E06C 1/393; E06C 1/387
See application file for complete search history.

6,550,579 B2 * 4/2003 Gibson E06C 1/387 182/161
D564,675 S * 3/2008 Farber D25/65
D840,055 S * 2/2019 Skubic D25/64
2013/0048427 A1 * 2/2013 Sordo E06C 7/46 182/110
2015/0159434 A1 * 6/2015 Leng E06C 1/20 182/163

* cited by examiner

Primary Examiner — Gino Colan

(74) *Attorney, Agent, or Firm* — Dorsey & Whitney LLP

(57) **CLAIM**

The ornamental design for a ladder, as shown and described.

DESCRIPTION

FIG. 1 is a perspective view of a ladder showing our new design;
FIG. 2 is a front elevation view of the ladder shown in FIG. 1;
FIG. 3 is a right side elevation view of the ladder shown in FIG. 1, the left side elevation view of the ladder being a mirror image of the right side elevation view;
FIG. 4 is a rear elevation view of the ladder shown in FIG. 1;
FIG. 5 is a top plan view of the ladder shown in FIG. 1; and, FIG. 6 is a bottom plan view of the ladder shown in FIG. 1. The broken lines shown in the figures are for the purpose of illustrating portions of the ladder and form no part of the claimed design.

1 Claim, 6 Drawing Sheets

(56) **References Cited**

U.S. PATENT DOCUMENTS

D388,882 S * 1/1998 Kain D25/64
6,427,805 B1 * 8/2002 Gibson E06C 1/387 182/165

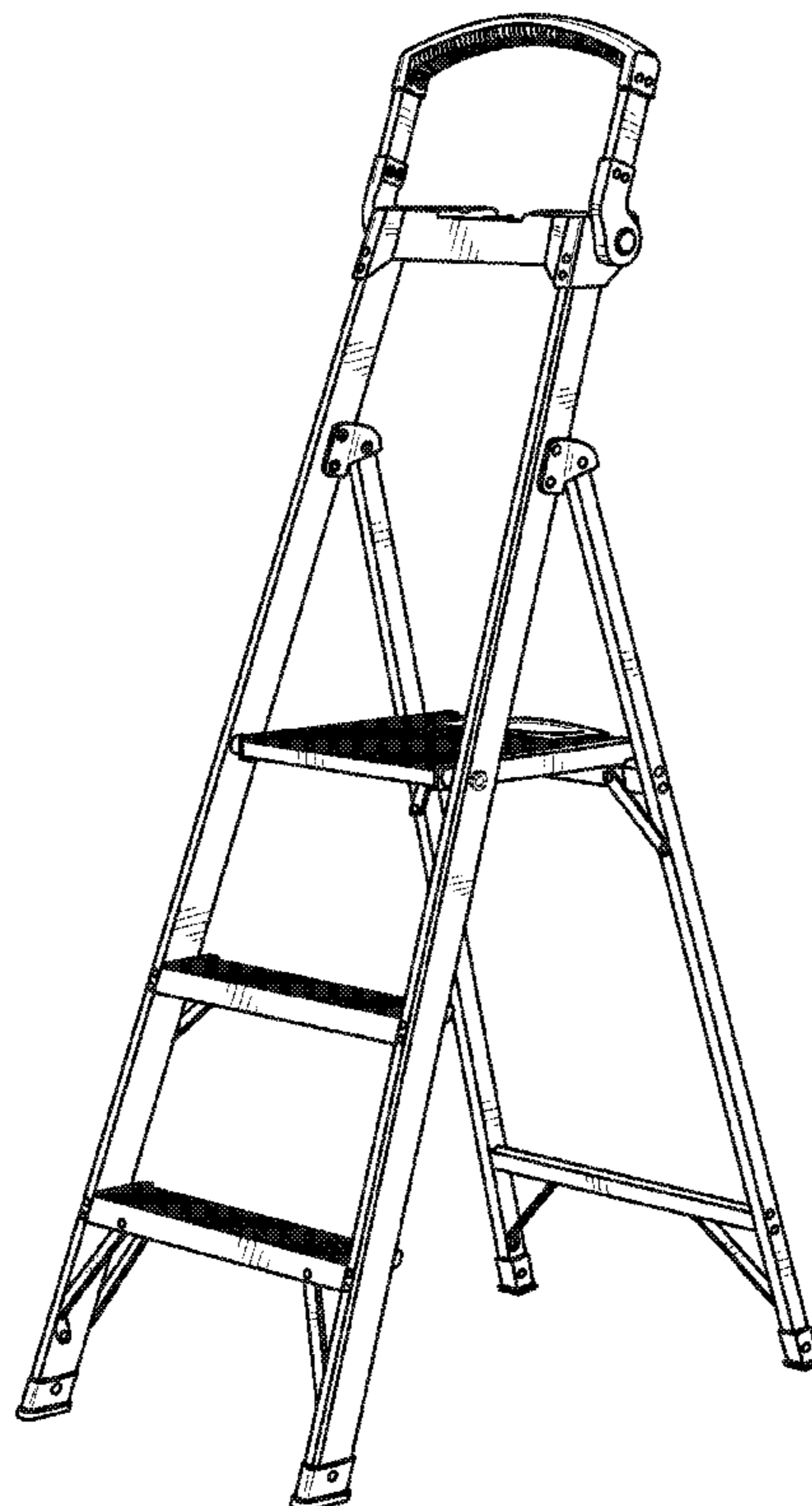




FIG. 1

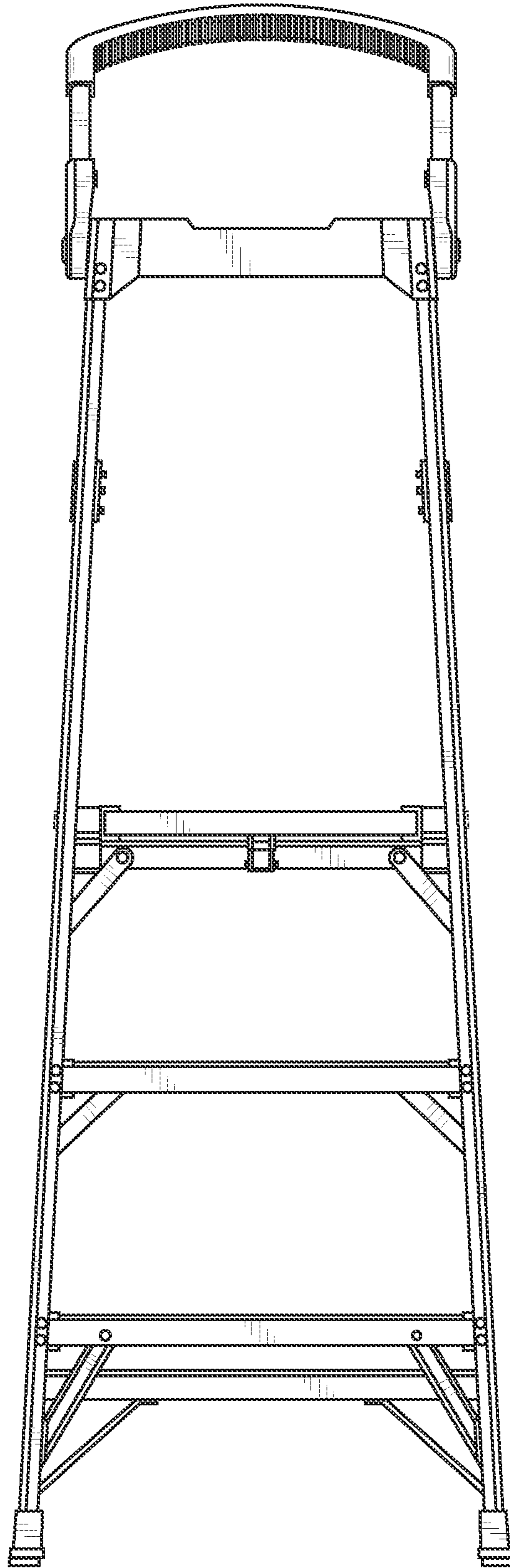


FIG. 2

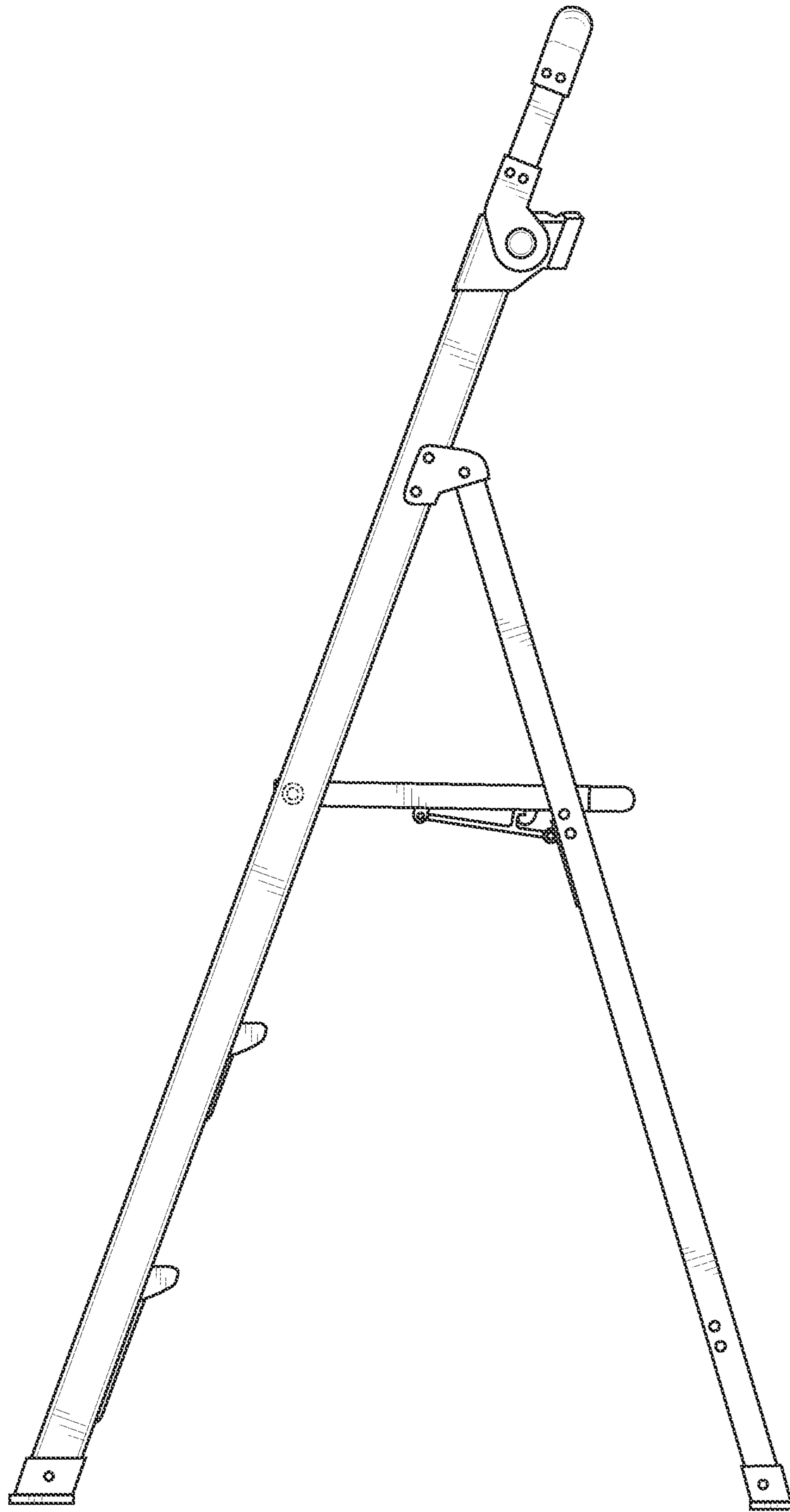


FIG. 3

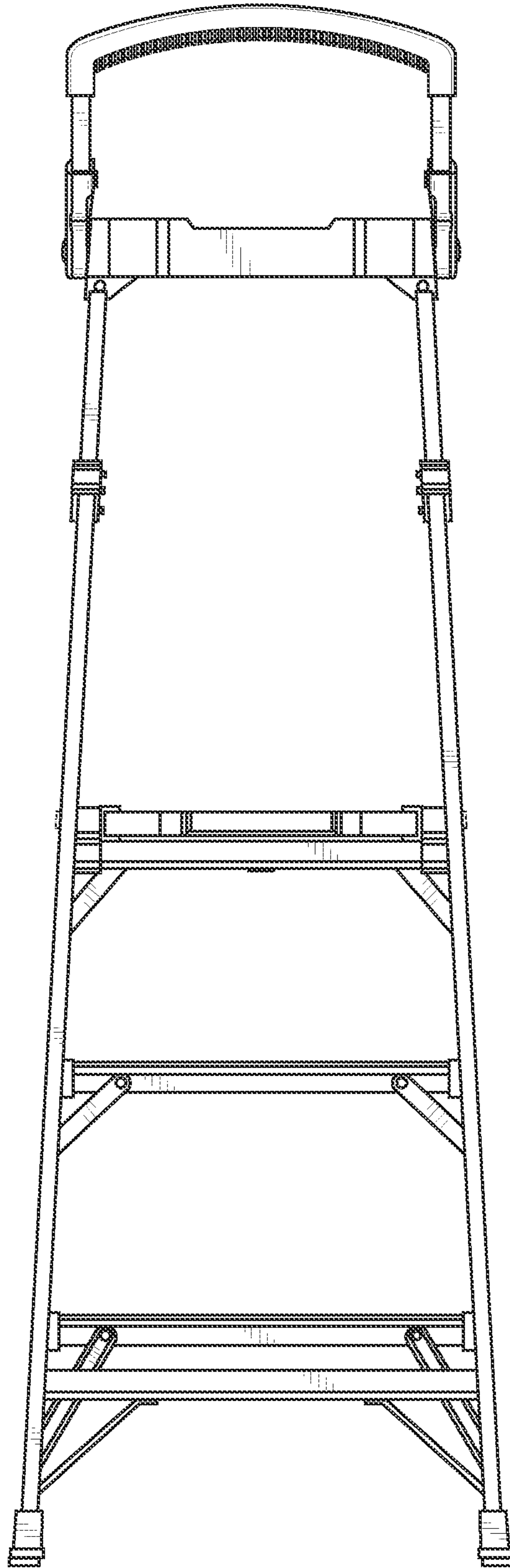


FIG. 4

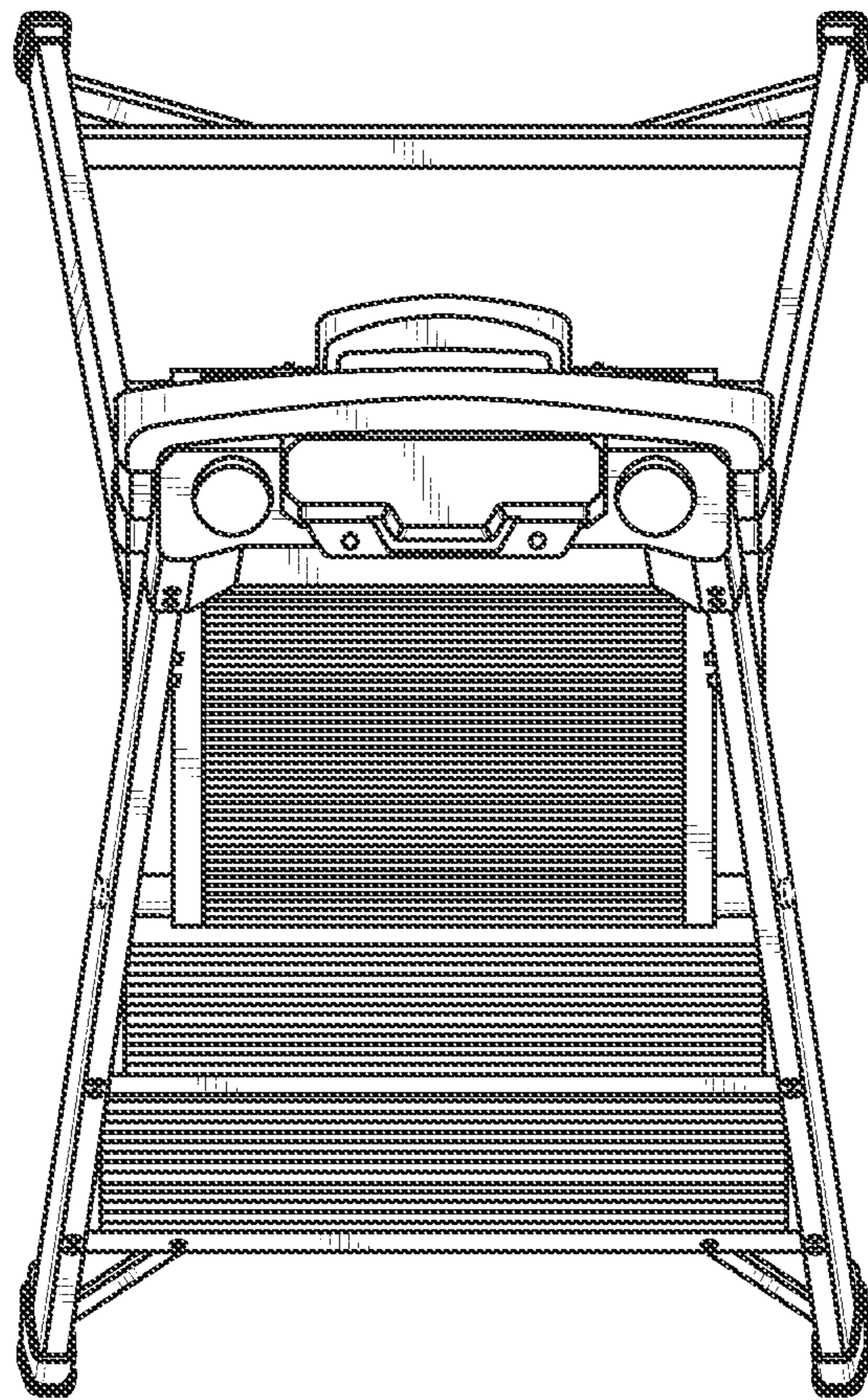


FIG. 5

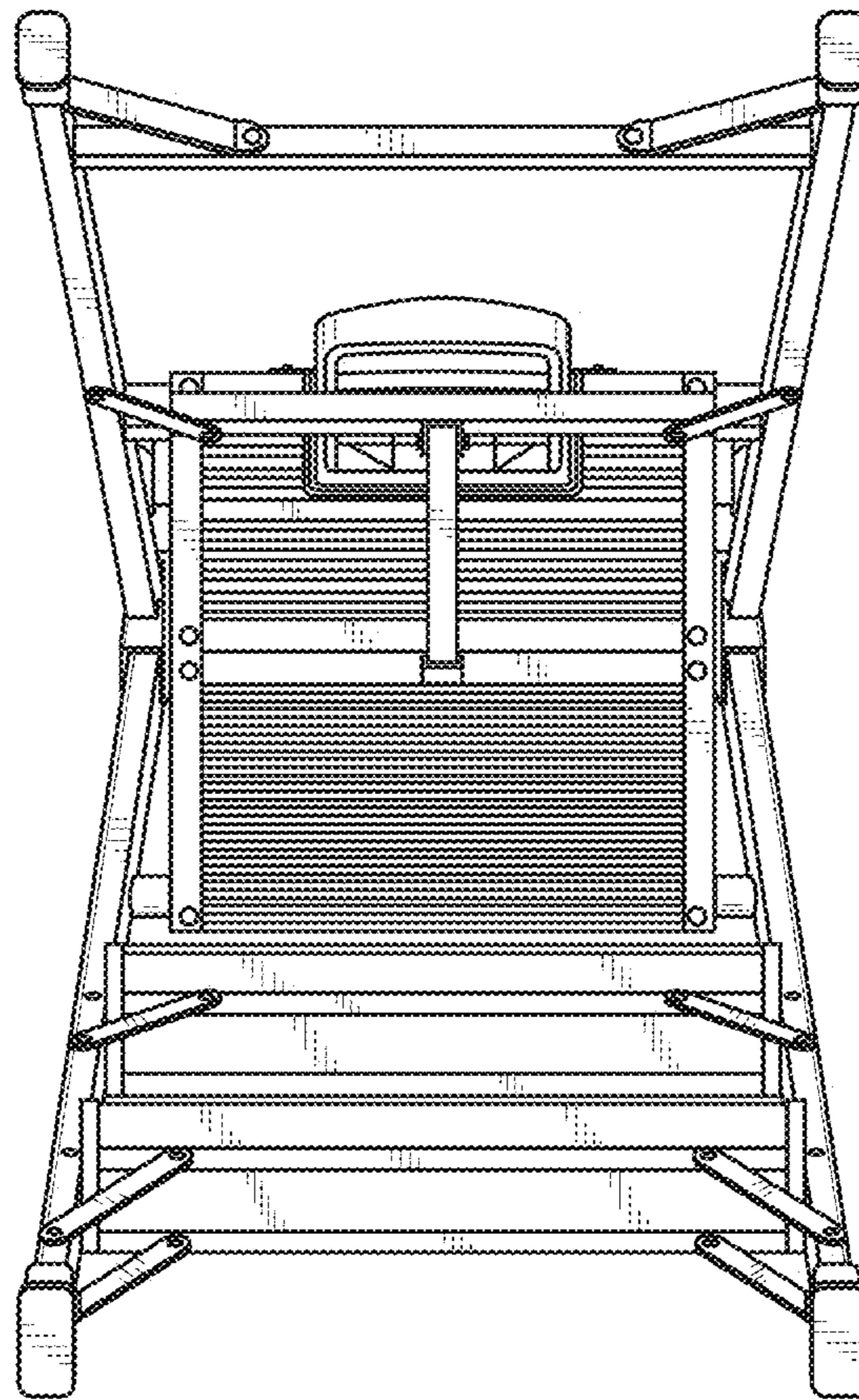


FIG. 6