



US00D920538S

(12) **United States Design Patent** (10) **Patent No.:** **US D920,538 S**
Zhang (45) **Date of Patent:** **** May 25, 2021**

(54) **WHITE NOISE SOUND MACHINE**

(71) Applicant: **SHENZHEN BEIBANQIU NETWORK TECHNOLOGY CO., LTD.**, Shenzhen (CN)

(72) Inventor: **Yuliang Zhang**, Shenzhen (CN)

(73) Assignee: **SHENZHEN BEIBANQIU NETWORK TECHNOLOGY CO., LTD.**, Shenzhen (CN)

(**) Term: **15 Years**

(21) Appl. No.: **29/761,924**

(22) Filed: **Dec. 14, 2020**

(51) **LOC (13) Cl.** **24-99**

(52) **U.S. Cl.**
USPC **D24/231**

(58) **Field of Classification Search**
USPC D24/231, 187; D14/216, 215, 496, 314
CPC A61F 11/08; A61M 21/00
See application file for complete search history.

(56) **References Cited**

U.S. PATENT DOCUMENTS

2,644,153	A *	6/1953	Beazley	A61M 21/00 340/384.72
3,121,220	A *	2/1964	Buckwalter	A61M 21/00 340/404.2
D311,065	S *	10/1990	Theisen	D24/231
D381,019	S *	7/1997	Muller	D24/231
D440,557	S *	4/2001	Su	D14/215
D567,224	S *	4/2008	Laituri	D14/216
7,464,786	B2 *	12/2008	Falco	A61F 11/08 181/135
D731,465	S *	6/2015	Khubani	D14/216

D766,456	S *	9/2016	Luc	D24/231
D815,150	S *	4/2018	Hu	D14/496
D847,373	S *	4/2019	Hurwit	D24/231
D854,168	S *	7/2019	He	D24/187
D862,730	S *	10/2019	Hu	D24/231
D862,731	S *	10/2019	Hu	D24/231
D872,301	S *	1/2020	Tanner	D24/231
D894,963	S *	9/2020	Li	D14/496
D905,049	S *	12/2020	Lu	D14/314

OTHER PUBLICATIONS

“Dohm” found on the internet at: https://yogasleep.com/products/dohmclassic?variant=44939657604&utm_campaign=SmartShoppingSoundMachines&gclid=EAlalQobChMlue30tKT17wIVB6SzCh1_AgG_EAQYCCABEGl92_D_BwE reference dated Apr. 10, 2021.*

* cited by examiner

Primary Examiner — Rhea Shields

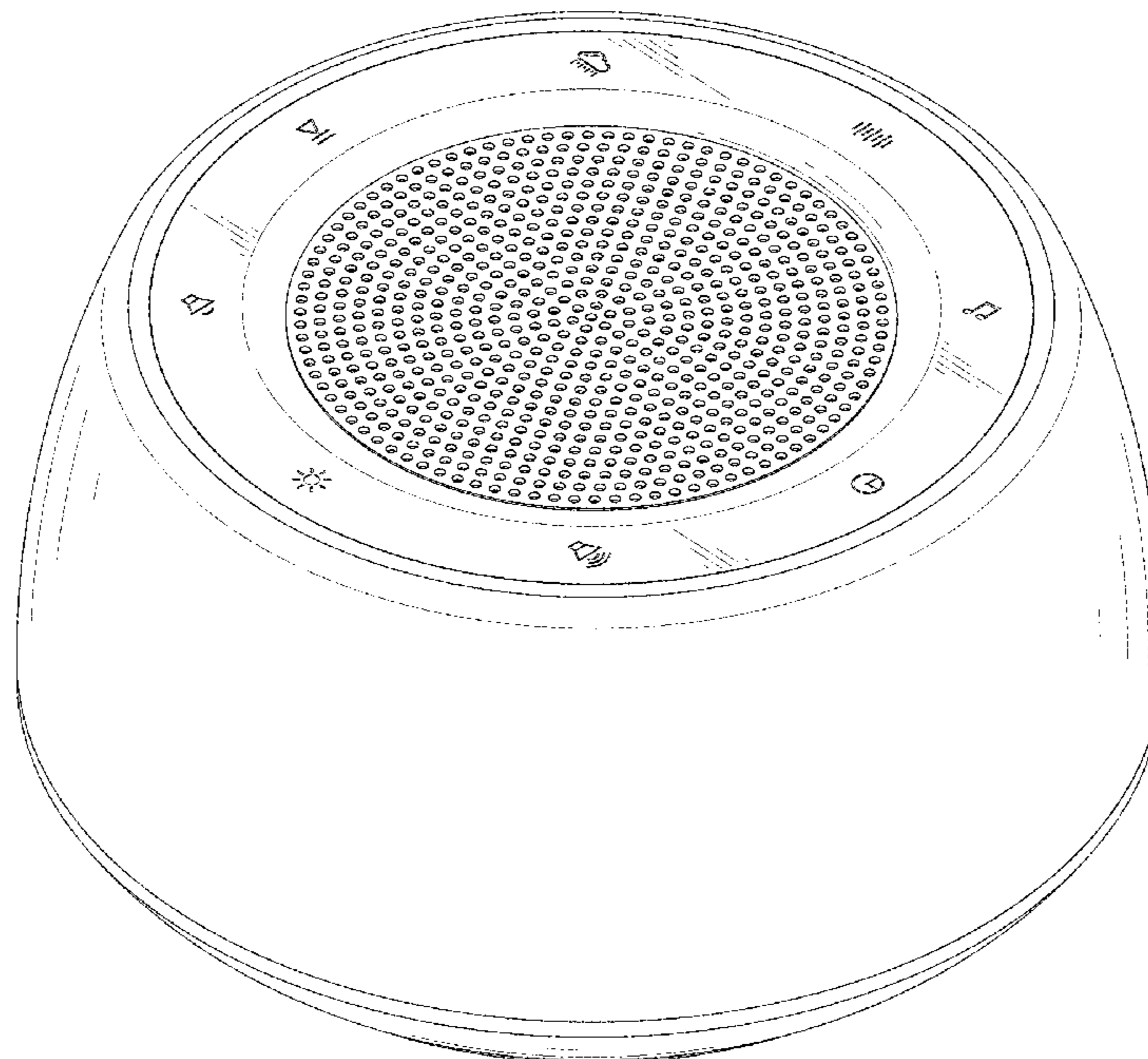
(57) **CLAIM**

The ornamental design for a white noise sound machine, as shown and described.

DESCRIPTION

FIG. 1 is a perspective view of a white noise sound machine showing my new design;
FIG. 2 is another perspective view thereof;
FIG. 3 is another perspective view thereof;
FIG. 4 is a front elevational view thereof;
FIG. 5 is a rear elevational view thereof;
FIG. 6 is a left side elevational view thereof;
FIG. 7 is a right side elevational view thereof;
FIG. 8 is a top plan view thereof; and,
FIG. 9 is a bottom plan view thereof.

1 Claim, 9 Drawing Sheets



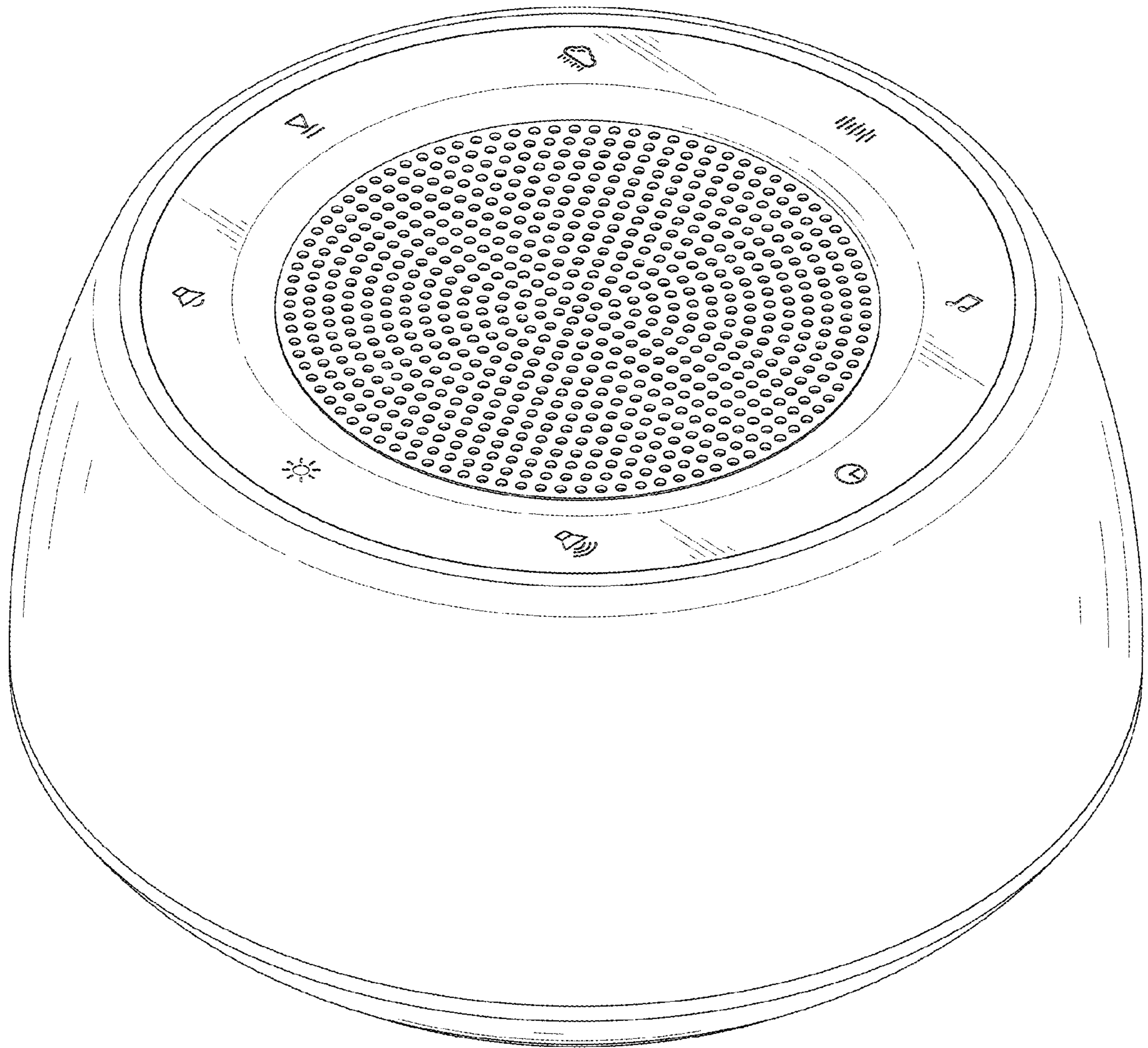


FIG. 1

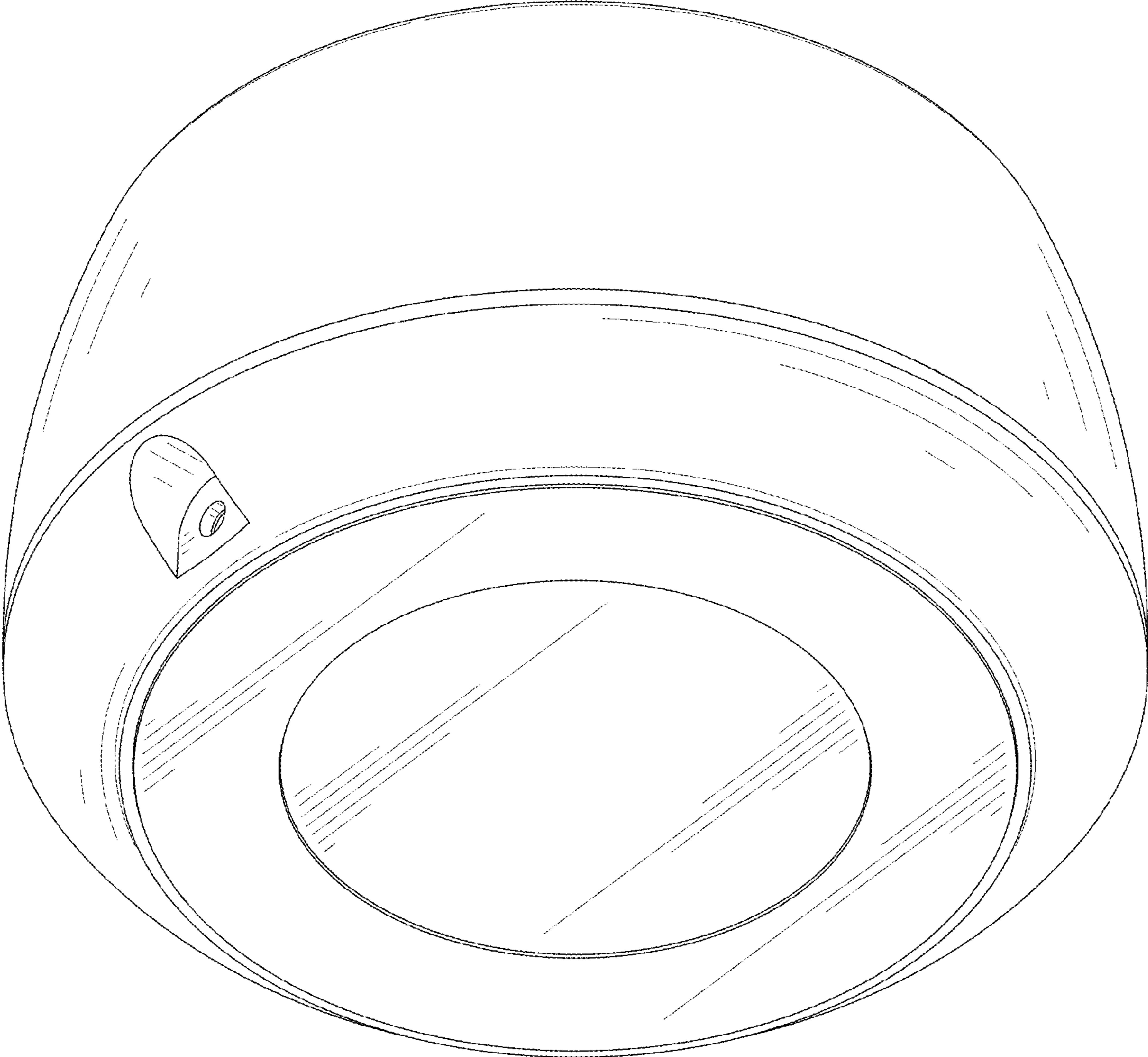


FIG. 2

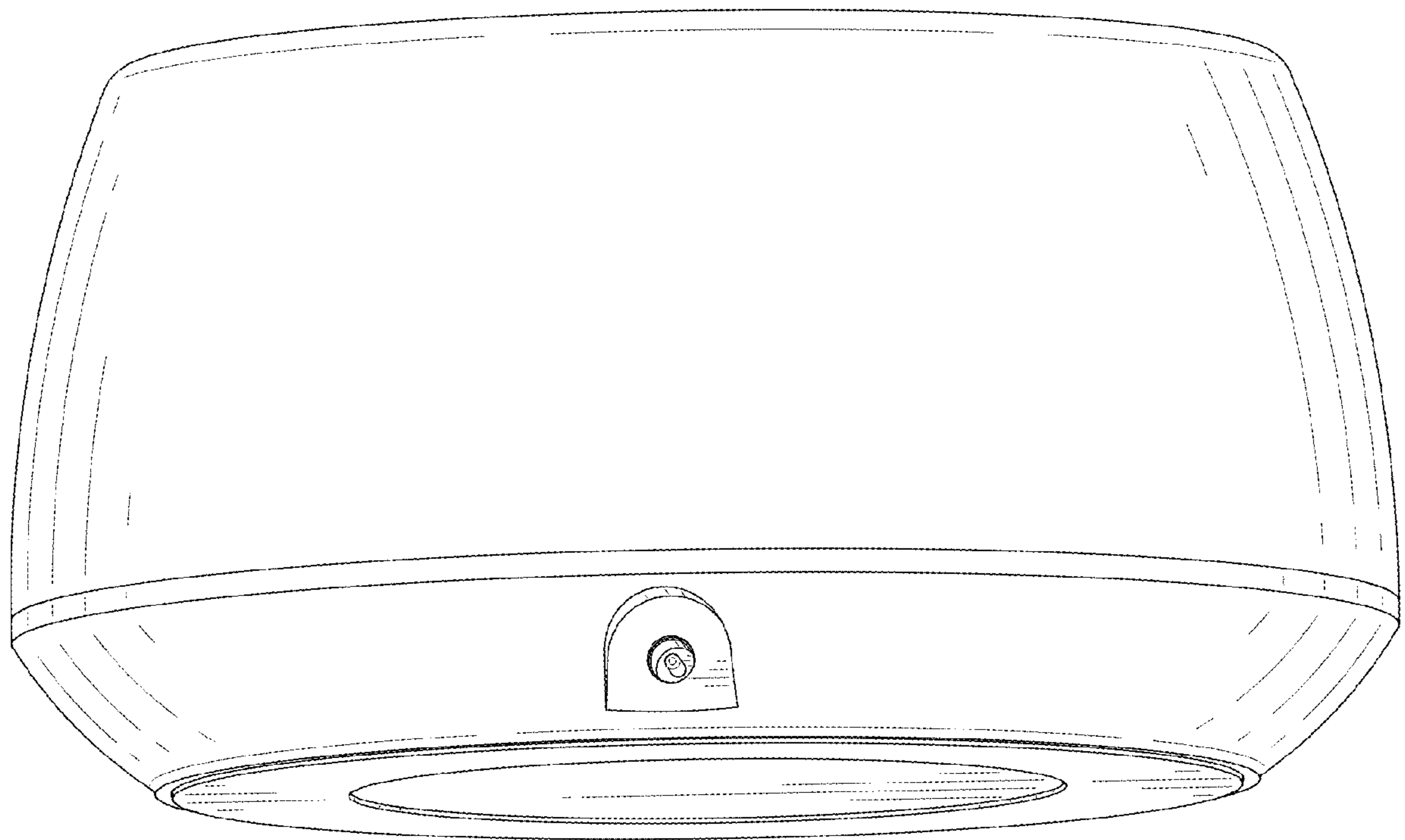


FIG. 3

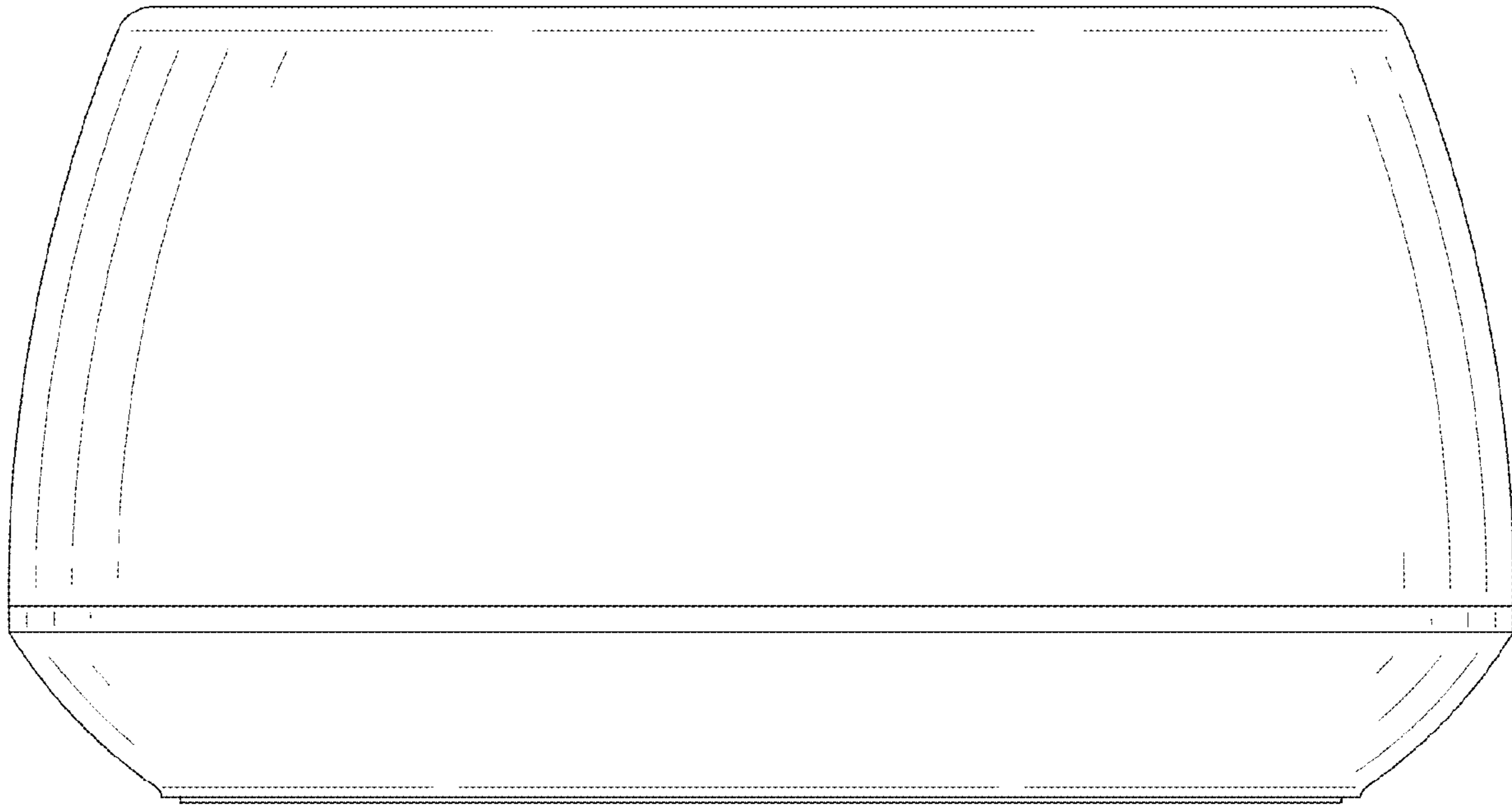


FIG. 4

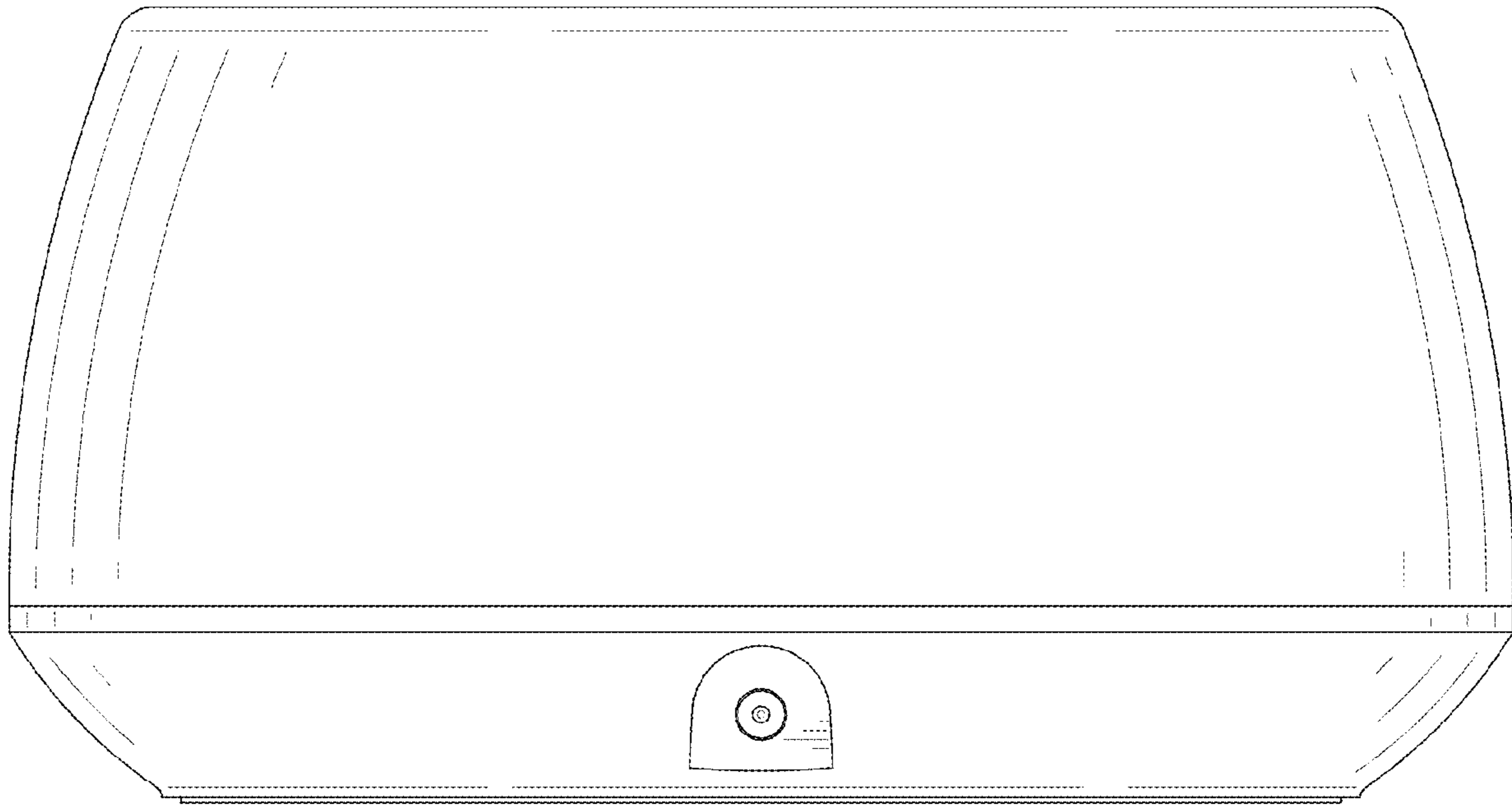


FIG. 5

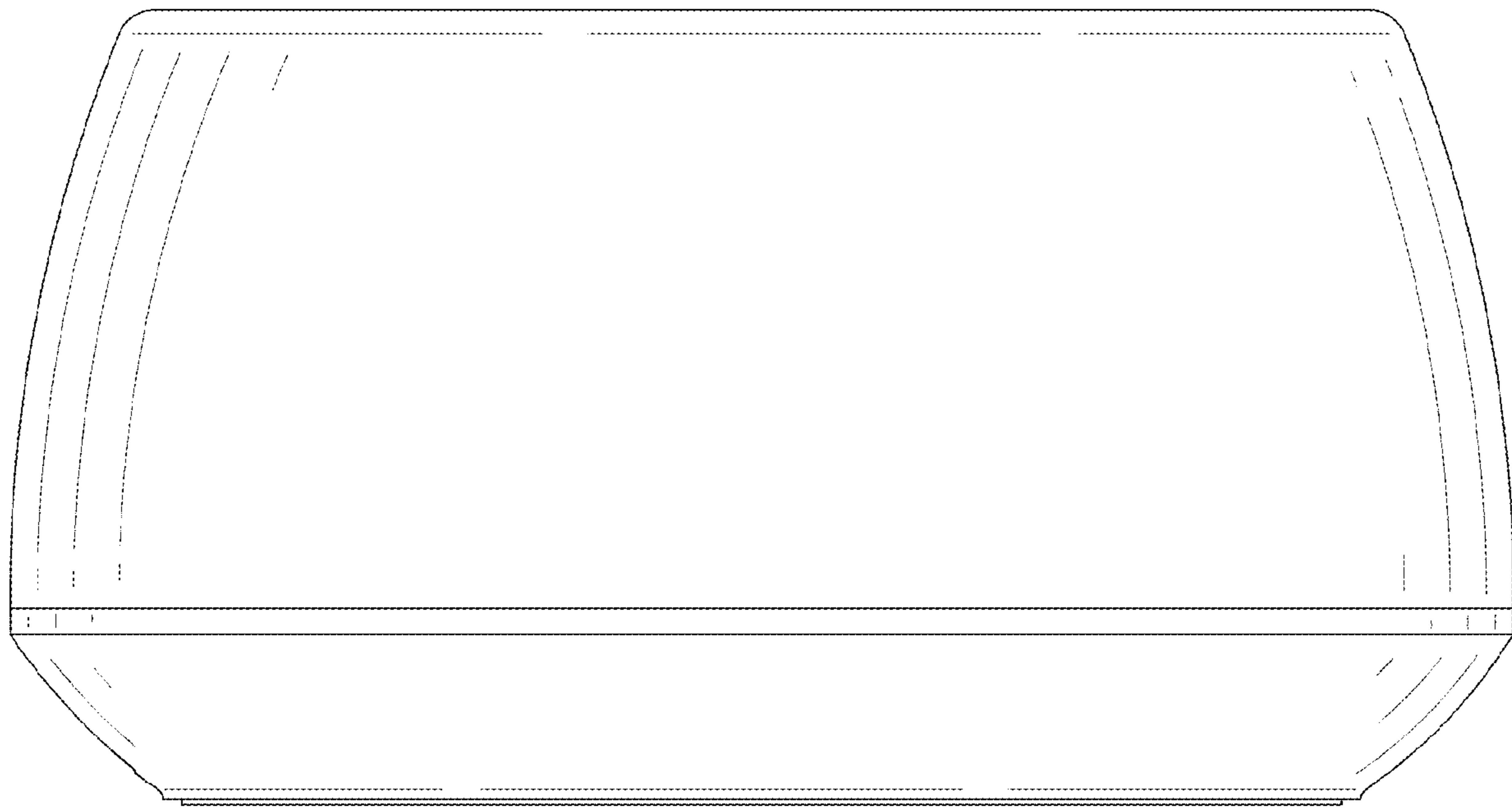


FIG. 6

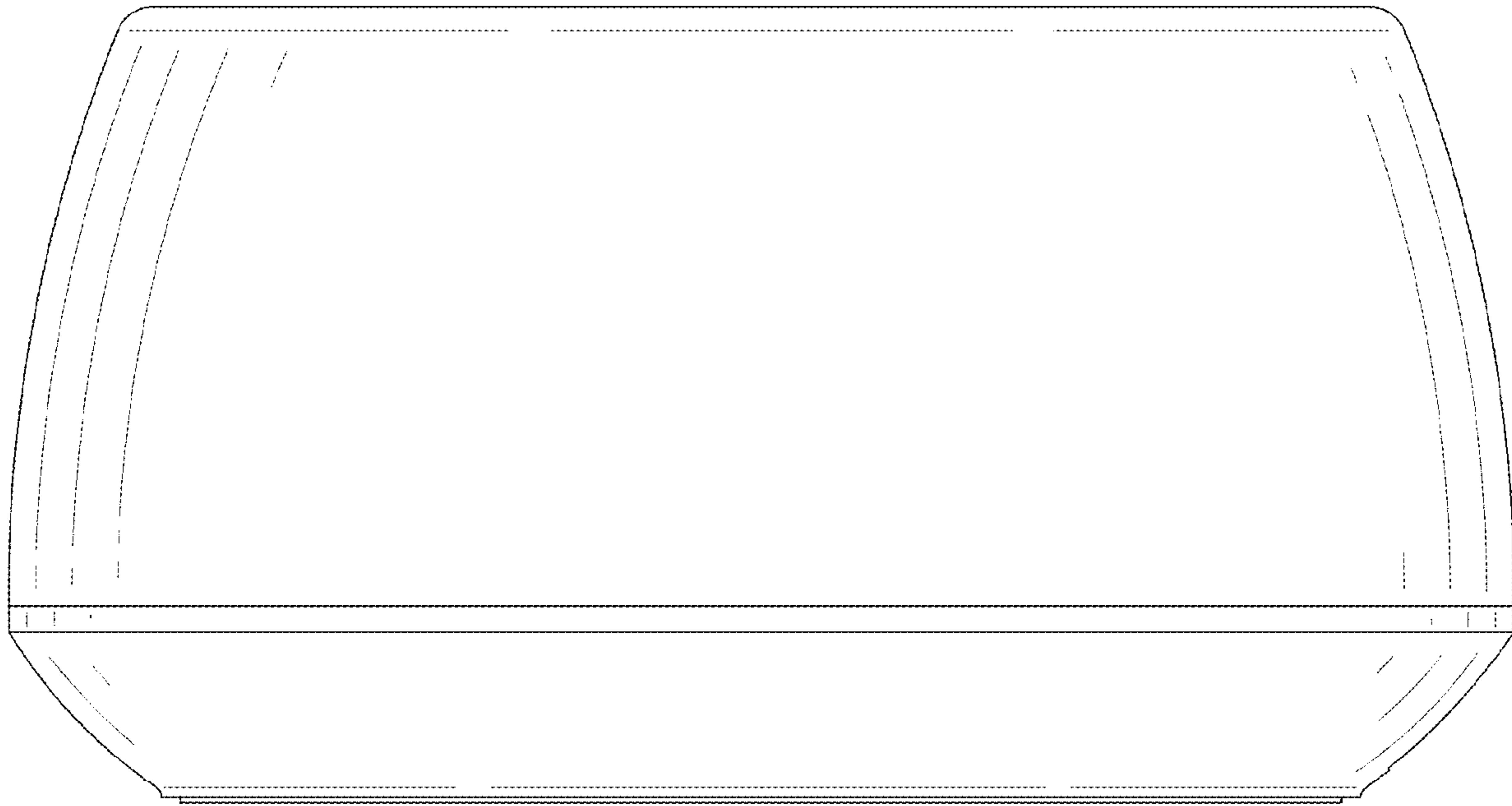


FIG. 7

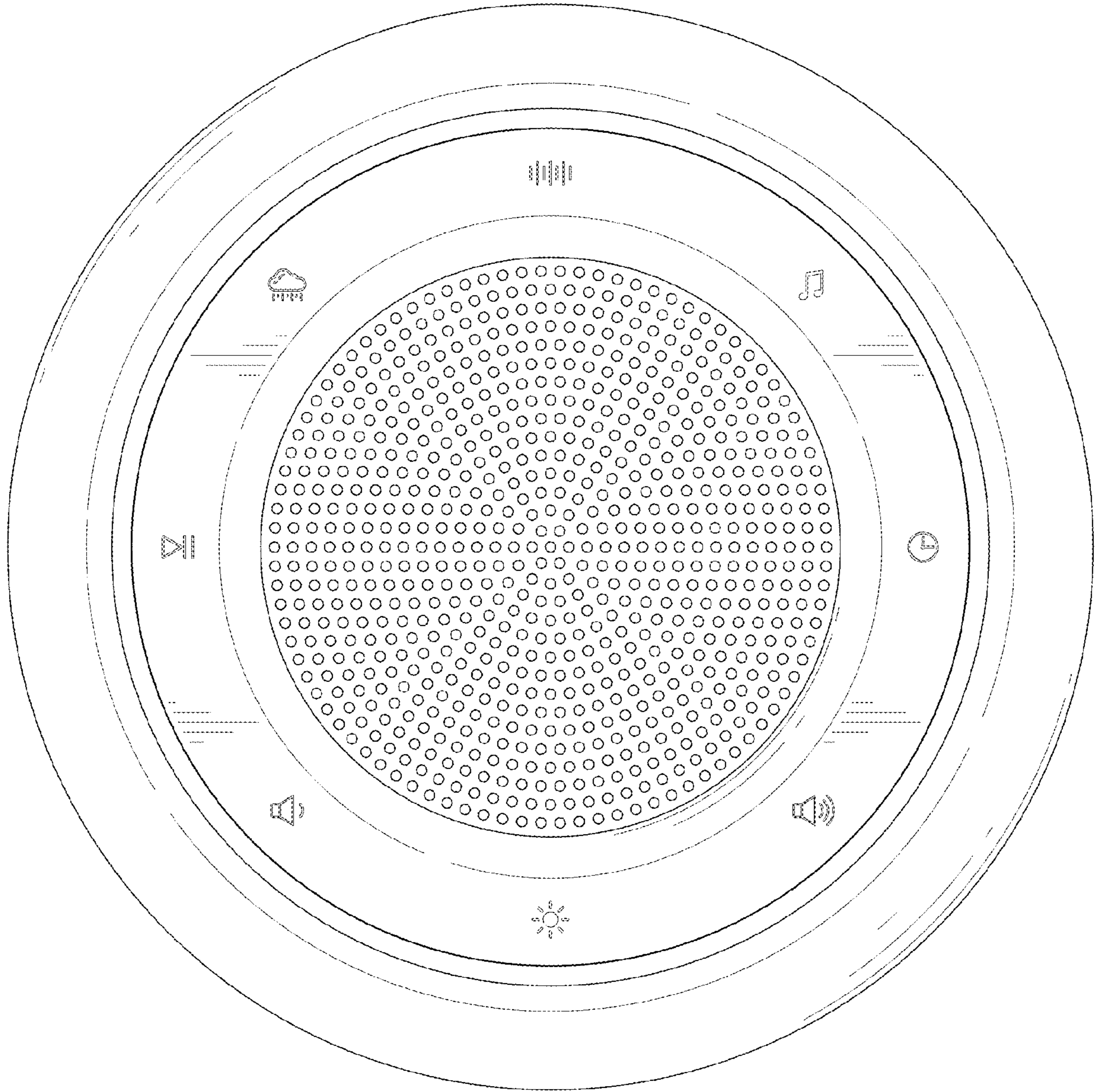


FIG. 8

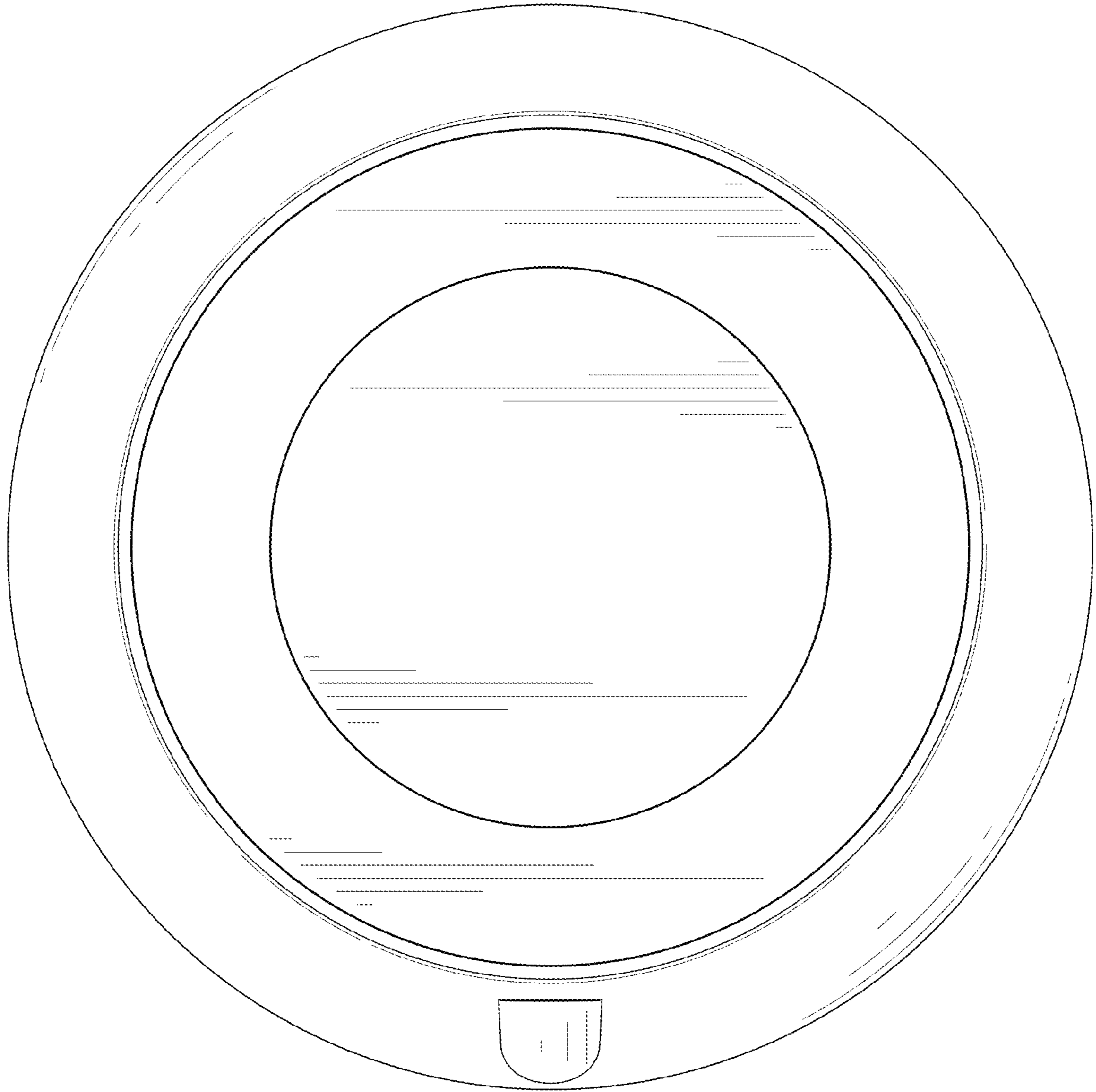


FIG. 9