



US00D920537S

(12) **United States Design Patent** (10) **Patent No.:** **US D920,537 S**
Motomura et al. (45) **Date of Patent:** **** May 25, 2021**

(54) **SAMPLE HOLDER**

(74) *Attorney, Agent, or Firm* — Baker Botts L.L.P.;
Michael A. Sartori

(71) Applicant: **SUMITOMO ELECTRIC INDUSTRIES, LTD.**, Osaka (JP)

(57) **CLAIM**

(72) Inventors: **Asako Motomura**, Osaka (JP); **Akinori Kimura**, Osaka (JP); **Yoko Sugiyama**, Osaka (JP); **Hiroshi Suganuma**, Osaka (JP)

The ornamental design for a sample holder, as shown and described.

(73) Assignee: **Sumitomo Electric Industries, Ltd.**, Osaka (JP)

DESCRIPTION

(**) Term: **15 Years**

(21) Appl. No.: **29/684,843**

(22) Filed: **Mar. 25, 2019**

(30) **Foreign Application Priority Data**

Sep. 25, 2018 (JP) 2018-020816
Sep. 25, 2018 (JP) 2018-020817

(51) **LOC (13) Cl.** **24-02**

(52) **U.S. Cl.**
USPC **D24/227; D24/229**

(58) **Field of Classification Search**
USPC D24/216, 217, 227–230, 232;
D9/756–759

(Continued)

(56) **References Cited**

U.S. PATENT DOCUMENTS

D224,671 S * 8/1972 Eddy D24/229
D242,154 S * 11/1976 Goy D24/220

(Continued)

FOREIGN PATENT DOCUMENTS

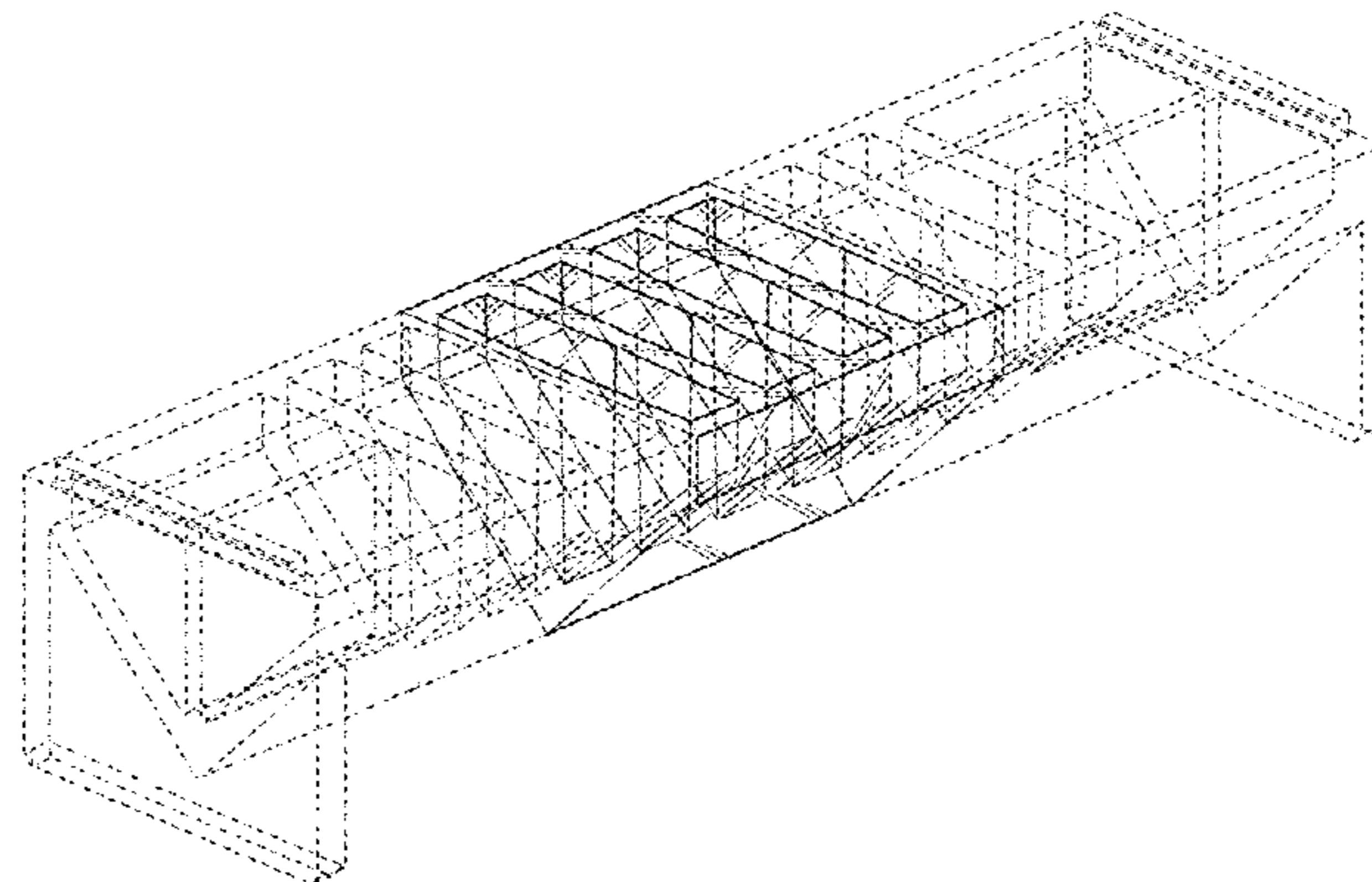
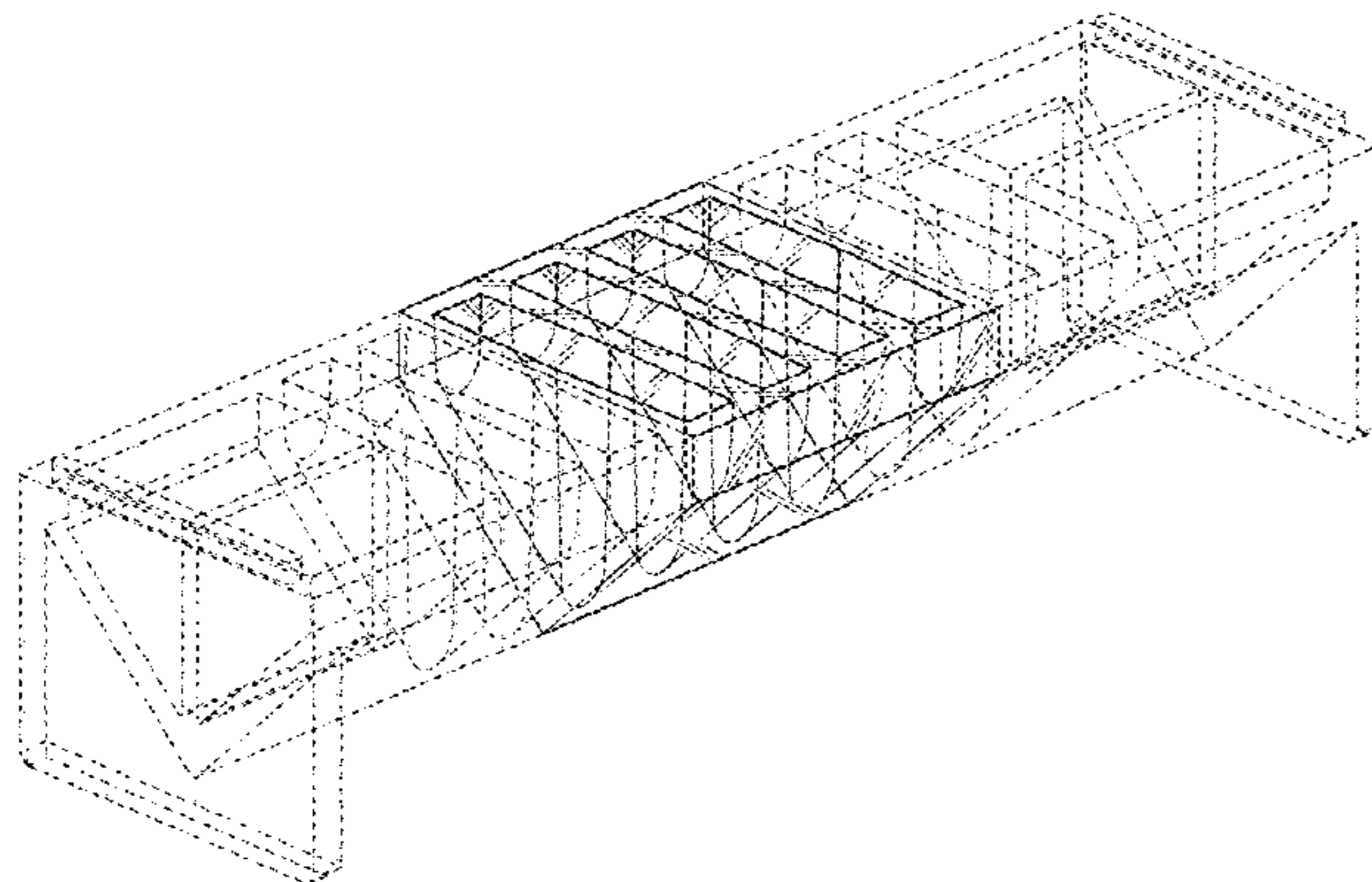
JP 1346184 S 7/2009
KR 3020180009767 * 2/2018

Primary Examiner — Susan Bennett Hattan

Assistant Examiner — Omeed Agilee

FIG. 1 is a left perspective view of a first embodiment of the present invention.
FIG. 2 is a right perspective view thereof.
FIG. 3 is a front view thereof.
FIG. 4 is a rear view thereof.
FIG. 5 is a top plan view thereof.
FIG. 6 is a bottom plan view thereof.
FIG. 7 is a right side view thereof.
FIG. 8 is a left side view thereof.
FIG. 9 is a sectional view taken along the line 9-9 of the sample holder of FIG. 5.
FIG. 10 is an enlarged sectional view taken along the line 10-10 of the sample holder of FIG. 3.
FIG. 11 is a sectional view taken along the line 11-11 of the sample holder of FIG. 3.
FIG. 12 is a left perspective view of a second embodiment of the present invention.
FIG. 13 is a right perspective view thereof.
FIG. 14 is a front view thereof.
FIG. 15 is a rear view thereof.
FIG. 16 is a top plan view thereof.
FIG. 17 is a bottom plan view thereof.
FIG. 18 is a right side view thereof.
FIG. 19 is a left side view thereof.
FIG. 20 is a sectional view taken along the line 20-20 of the sample holder of FIG. 16.
FIG. 21 is an enlarged sectional view taken along the line 21-21 of the sample holder of FIG. 14; and,
FIG. 22 is a sectional view taken along the line 22-22 of the sample holder of FIG. 14.
The features shown in broken lines depict environmental subject matter only and form no part of the claimed design. The dot dash dot broken lines depict the boundaries of the claim and form no part thereof.

(Continued)



The dash dot dash lines are merely the boundary lines between the claimed parts and the non-claimed parts.

1 Claim, 22 Drawing Sheets

(58) Field of Classification Search

CPC ... B01L 3/5027; B01L 2300/0809; A61J 1/12;
A61J 1/00; A61J 1/065

See application file for complete search history.

(56) References Cited

U.S. PATENT DOCUMENTS

D242,654 S	*	12/1976	Rawls	D24/229
D264,245 S	*	5/1982	Olsen	D24/229
D416,330 S	*	11/1999	Brown	D24/224
D438,632 S	*	3/2001	Miller	D24/216
D481,133 S	*	10/2003	Blouin	D24/216
D767,409 S	*	9/2016	Nickell	D9/737
D786,448 S	*	5/2017	Ohsaka	D24/224
D808,039 S	*	1/2018	Self	D24/227
D832,456 S	*	10/2018	Self	D24/224
D838,380 S	*	1/2019	Self	D24/224
D851,274 S	*	6/2019	Gomi	D24/224

* cited by examiner

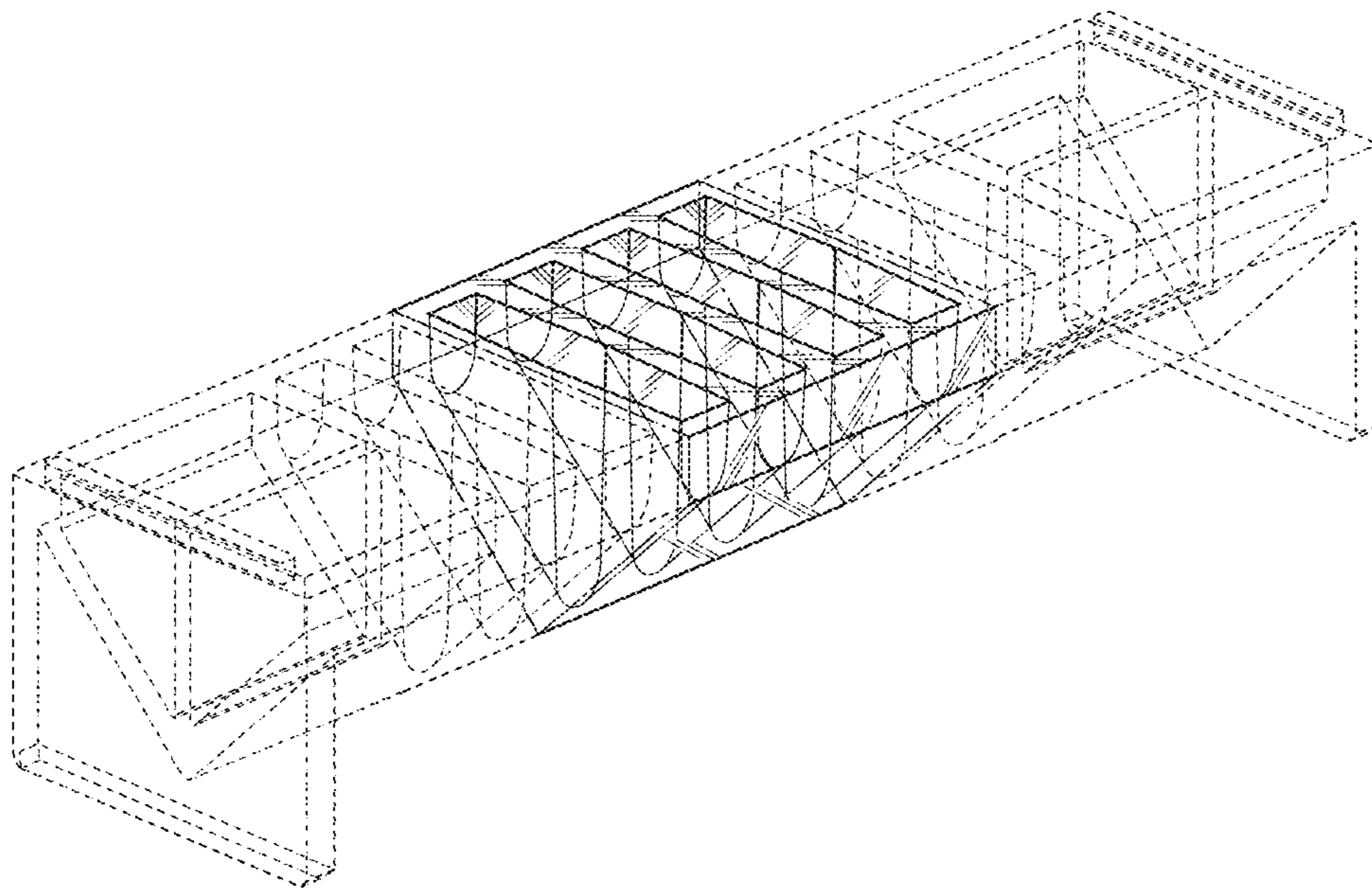


FIG. 1

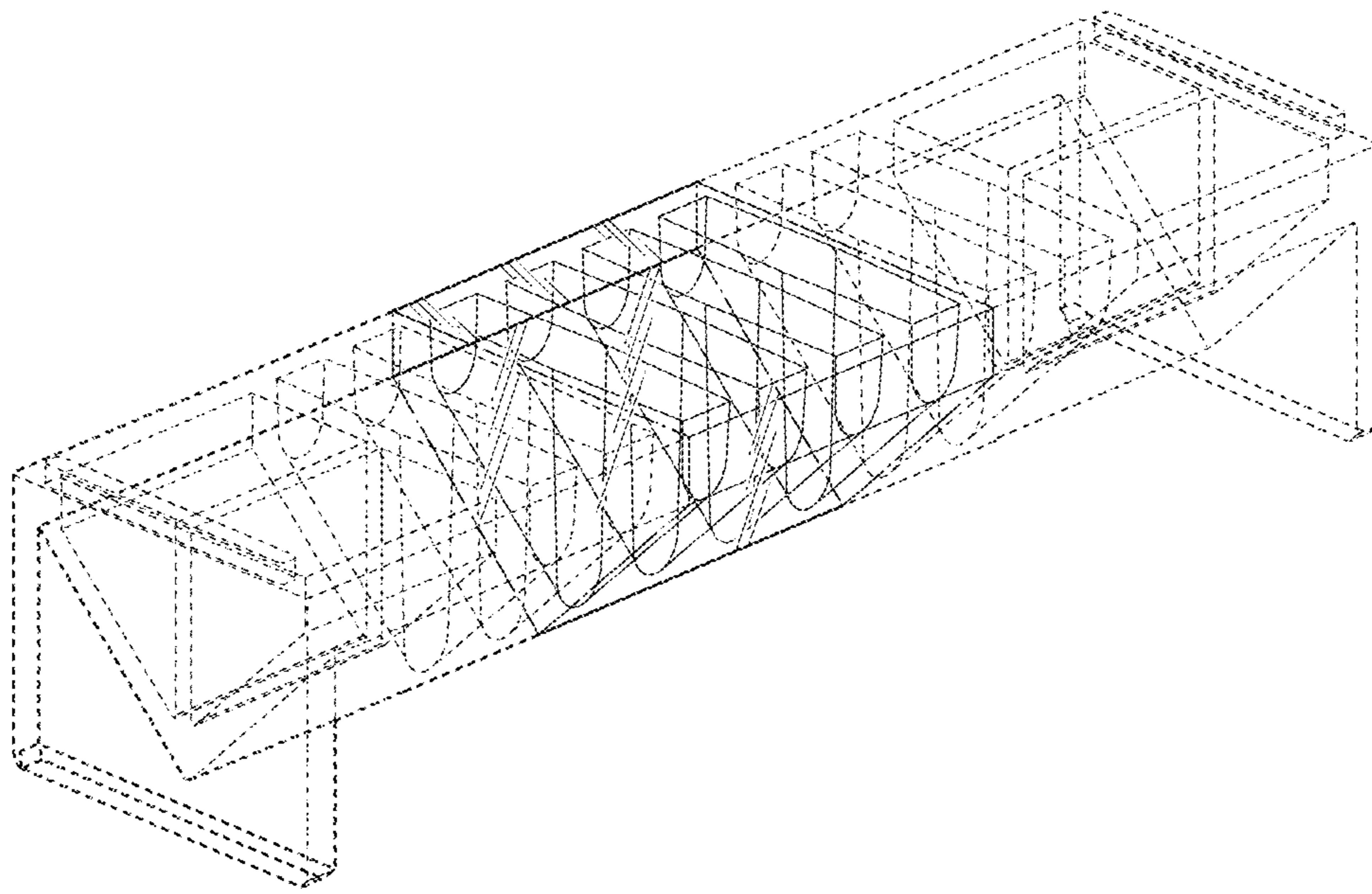


FIG. 2

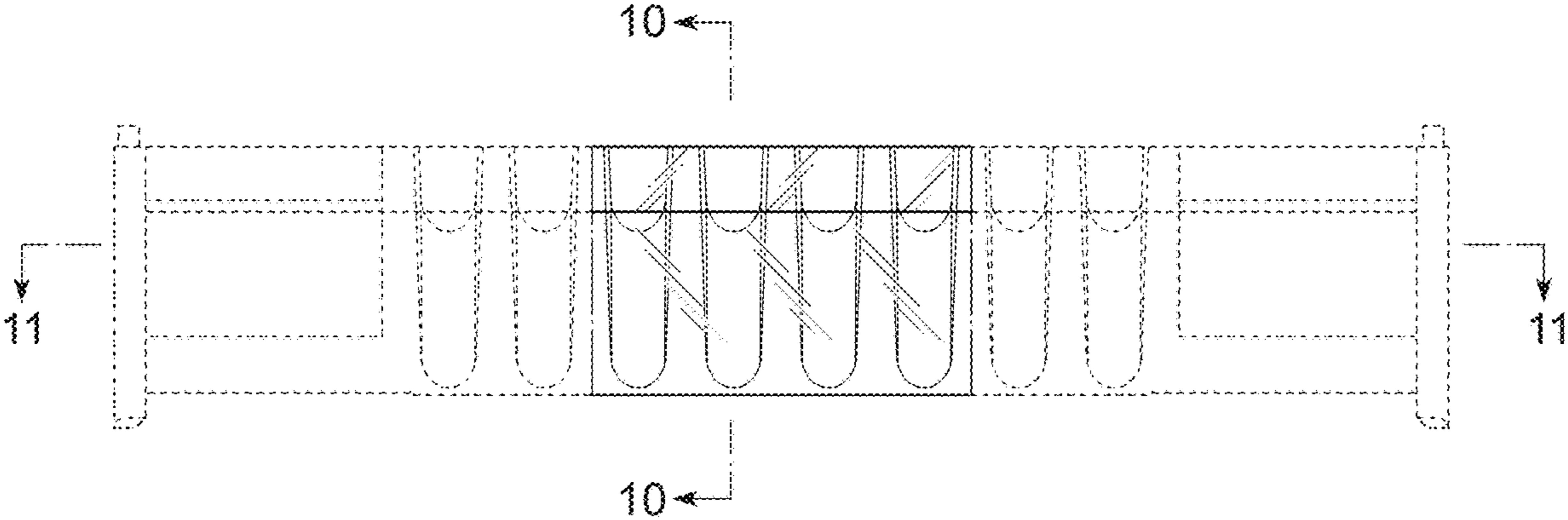


FIG. 3

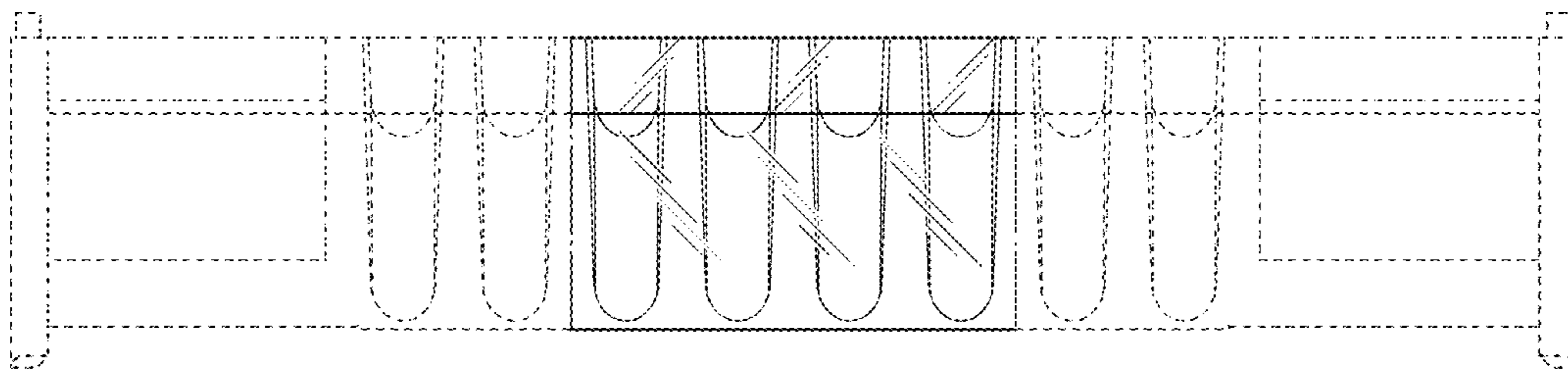


FIG. 4

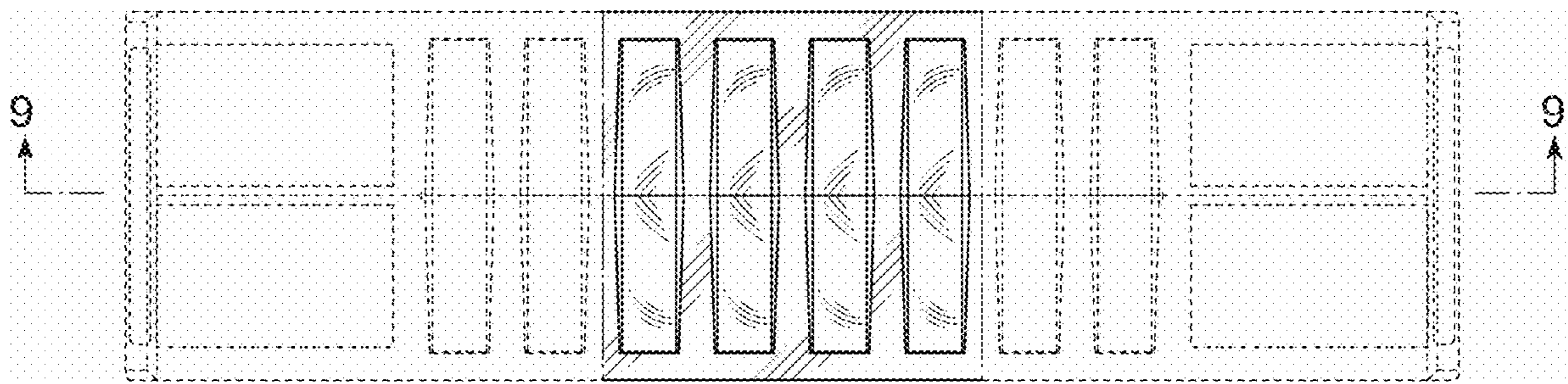


FIG. 5

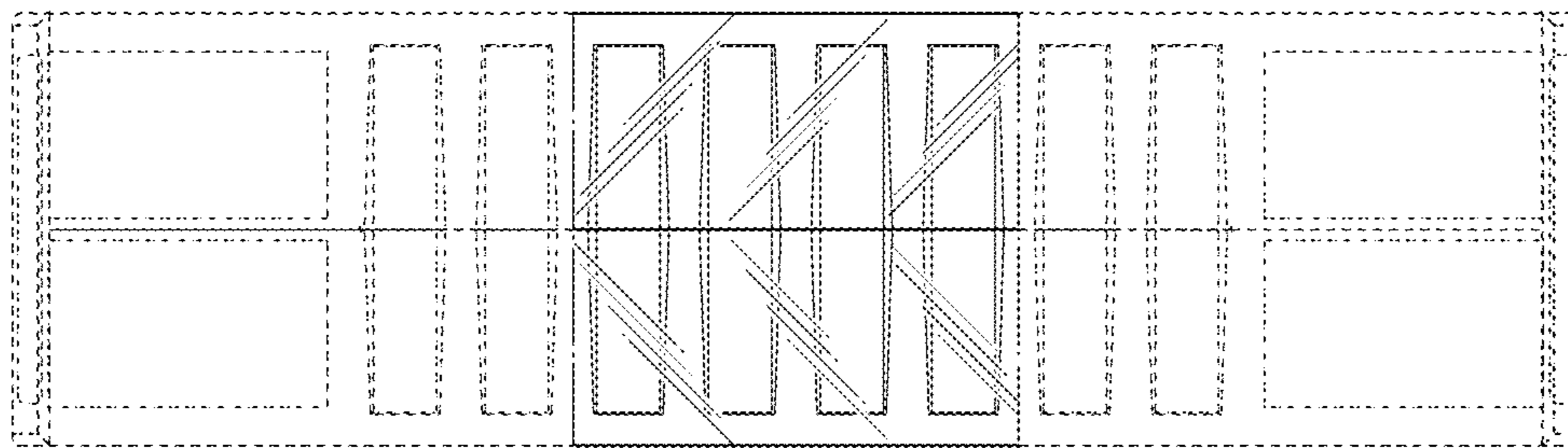


FIG. 6

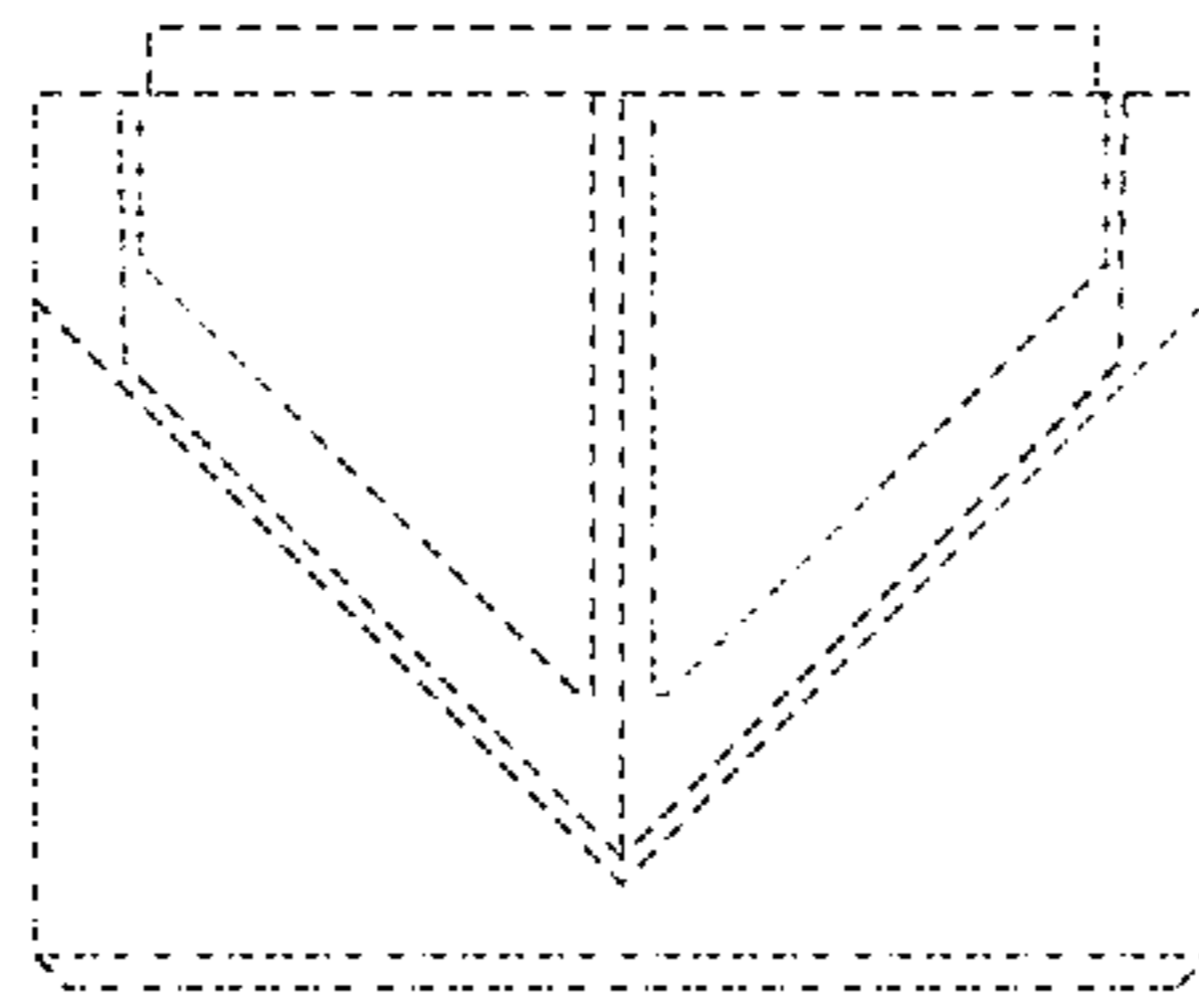


FIG. 7

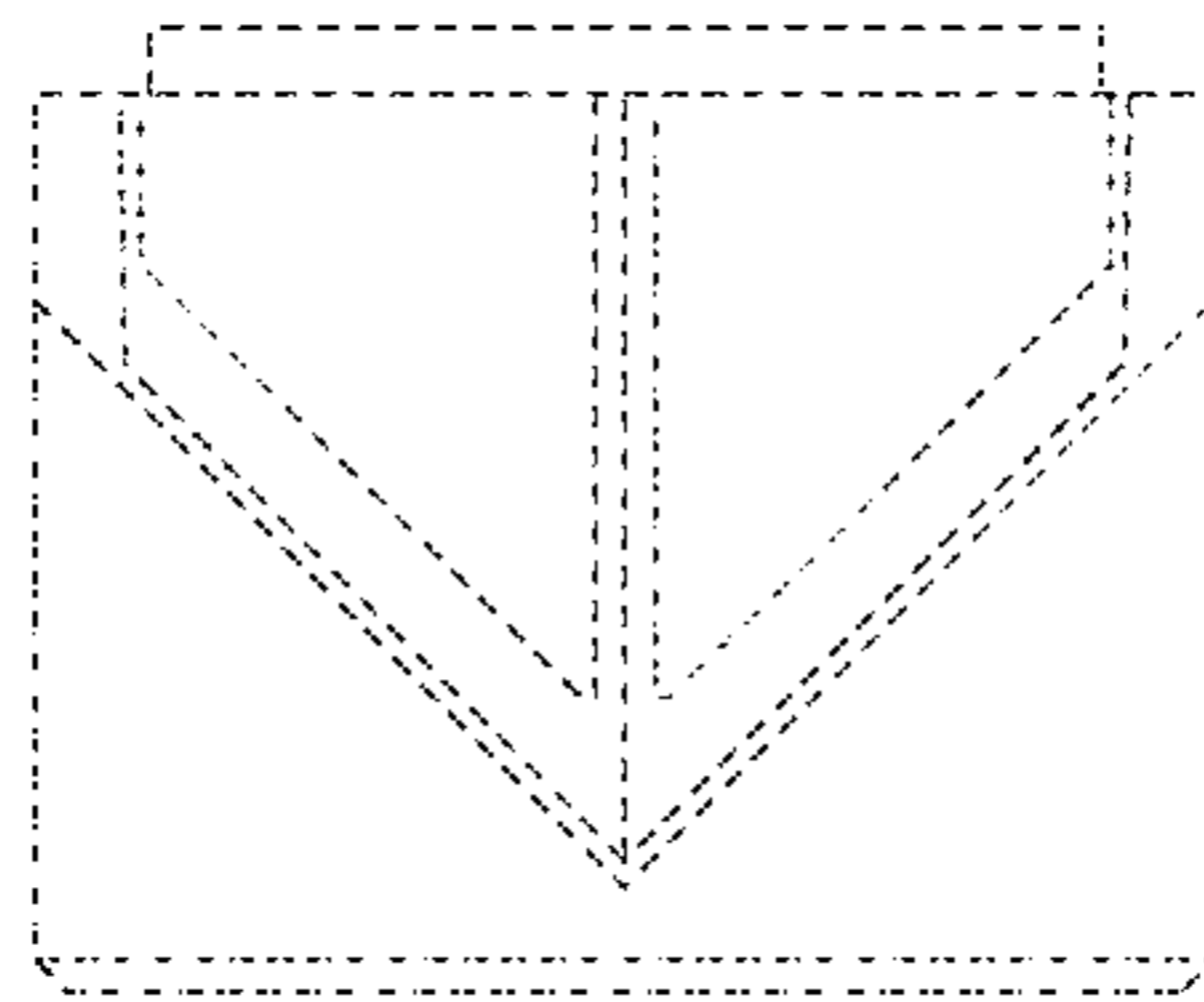


FIG. 8

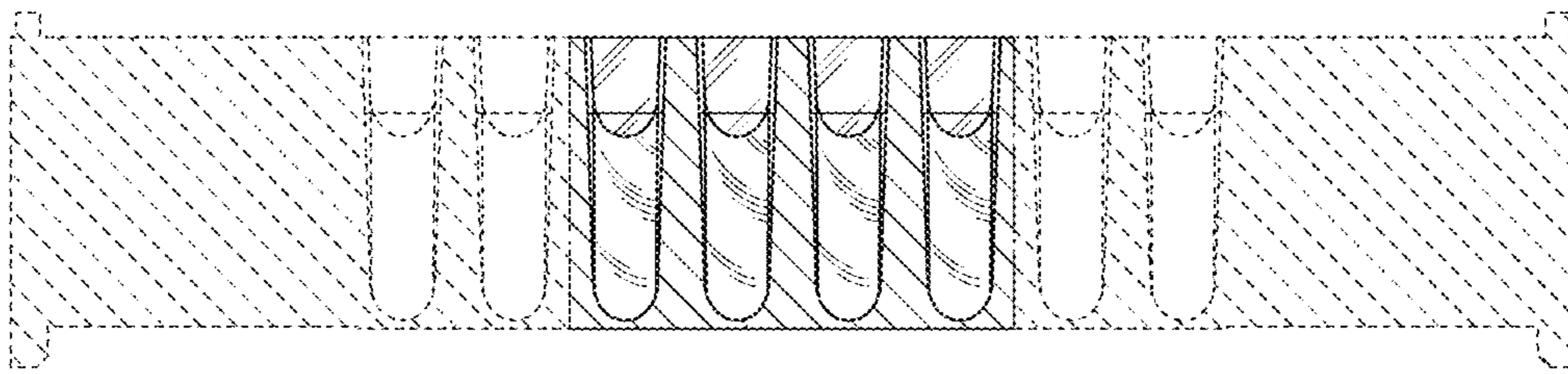


FIG. 9

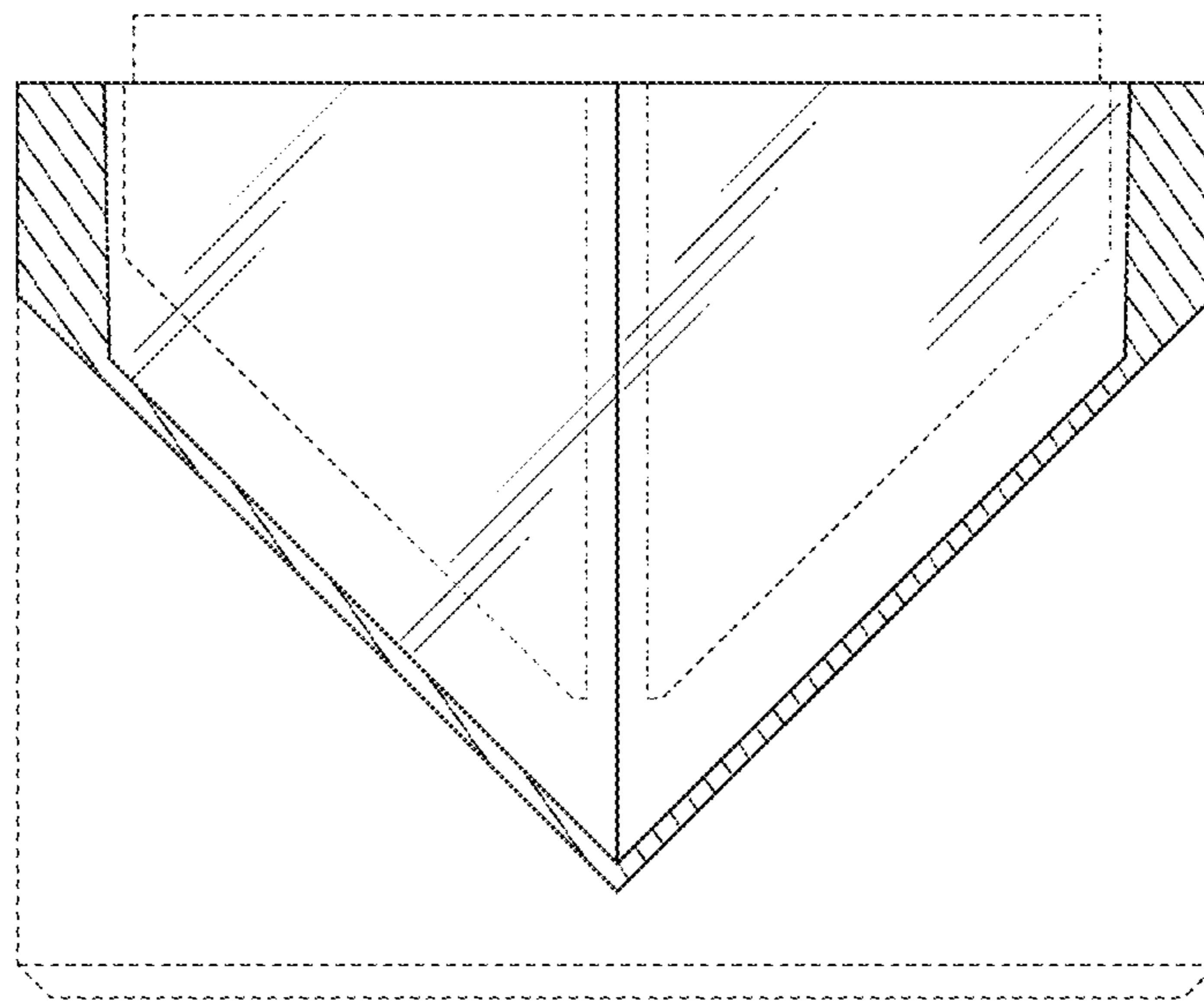


FIG. 10

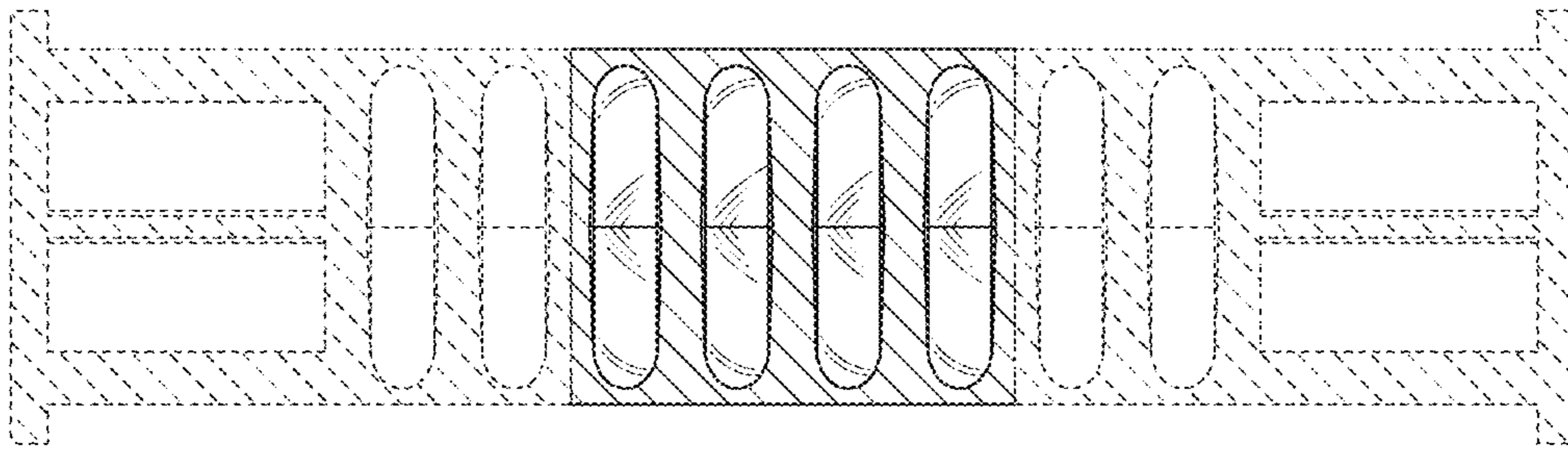


FIG. 11

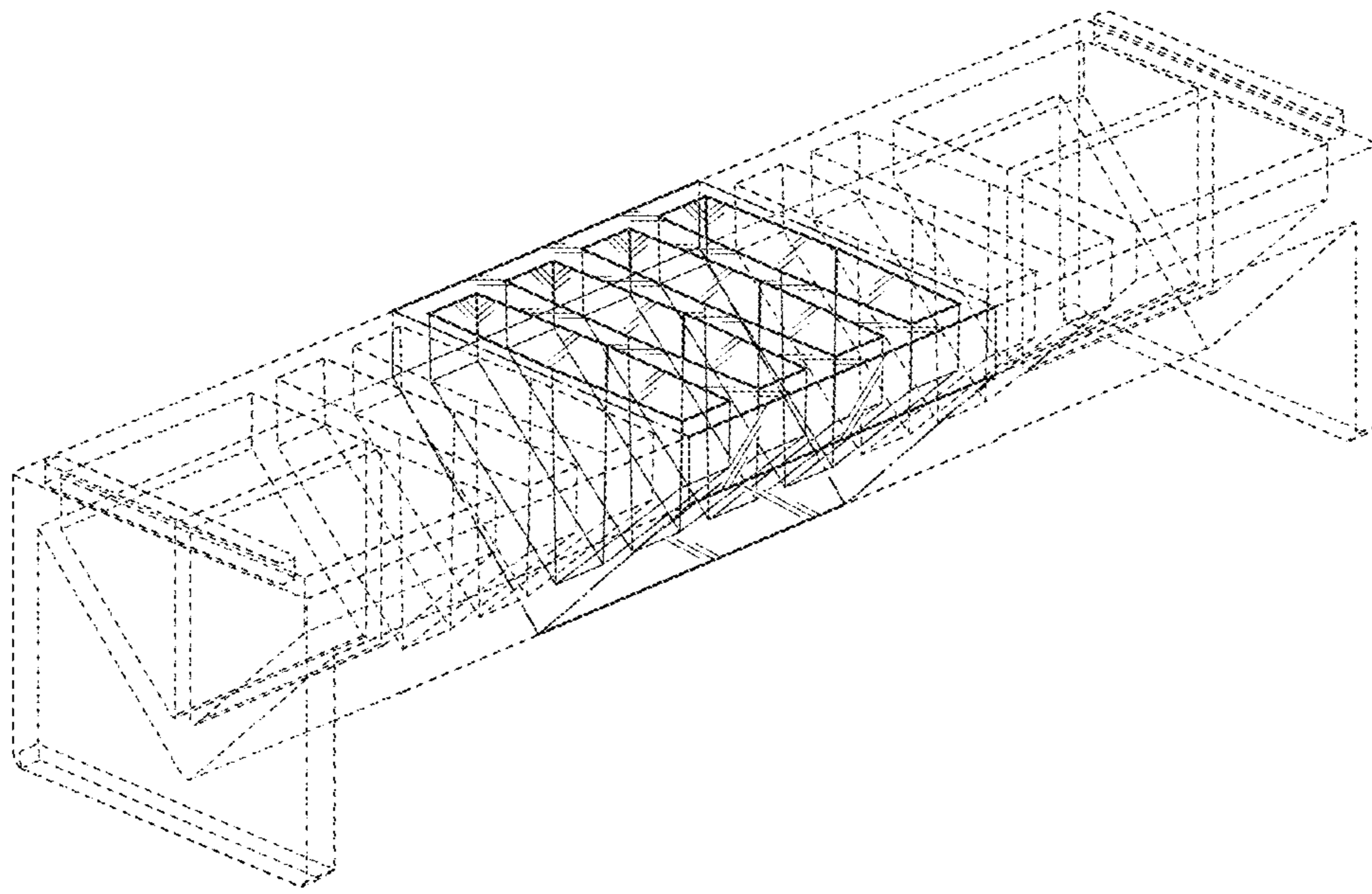


FIG. 12

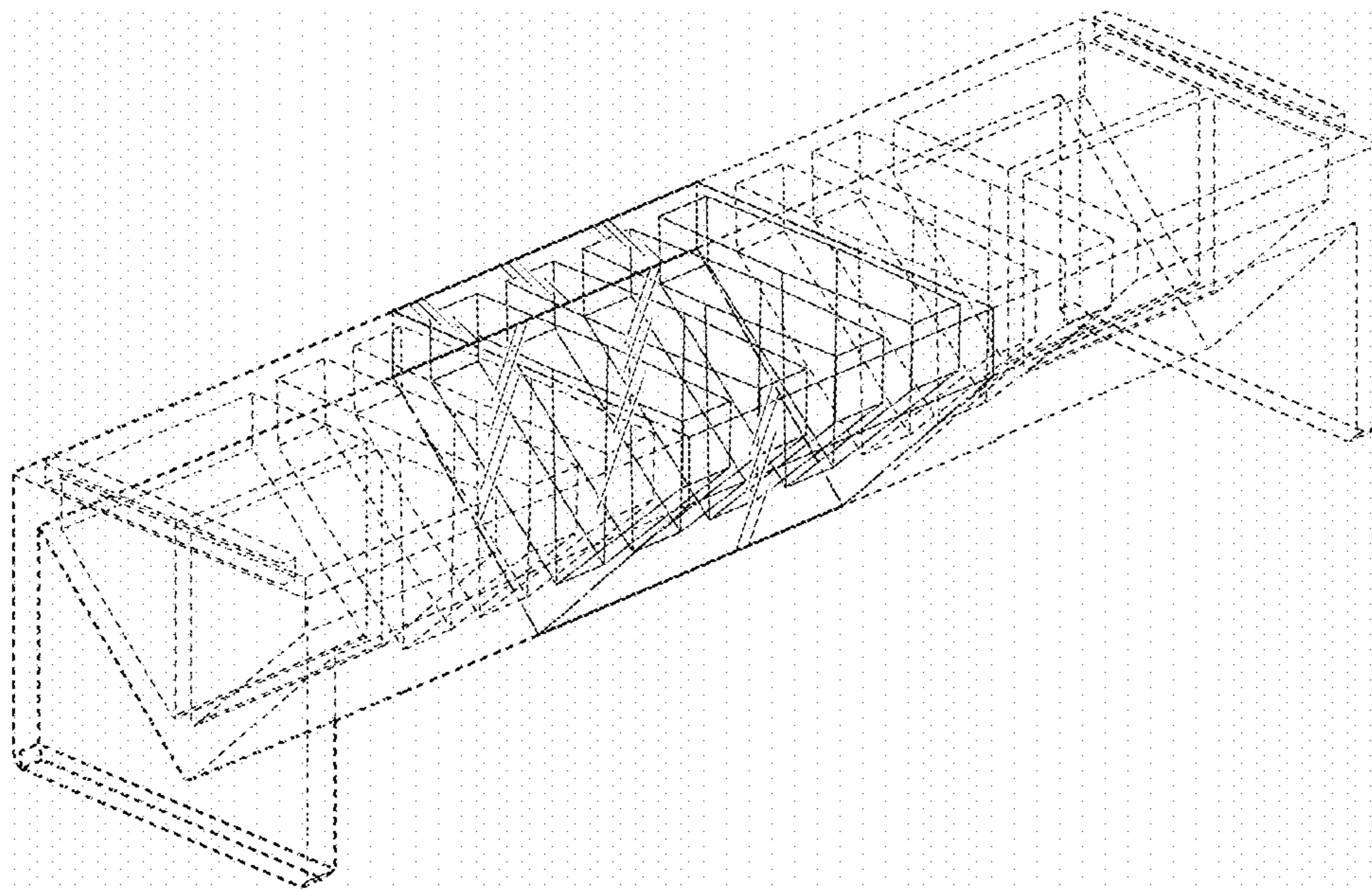


FIG. 13

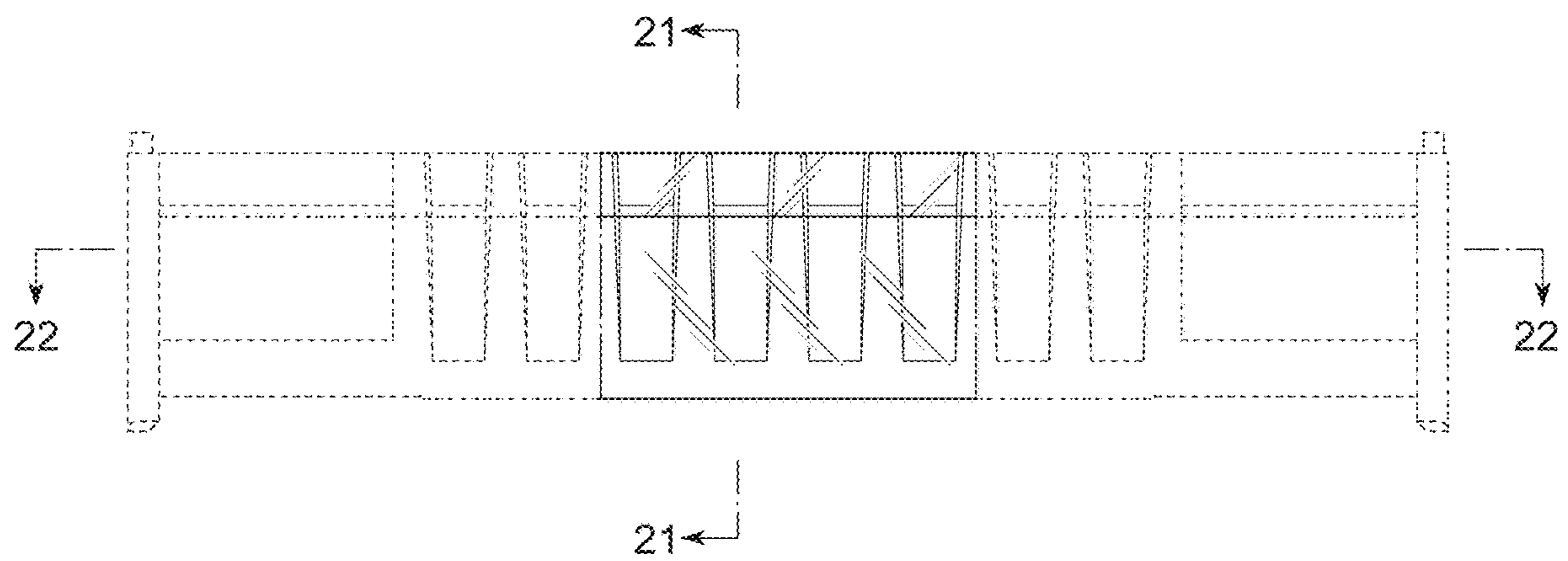


FIG. 14

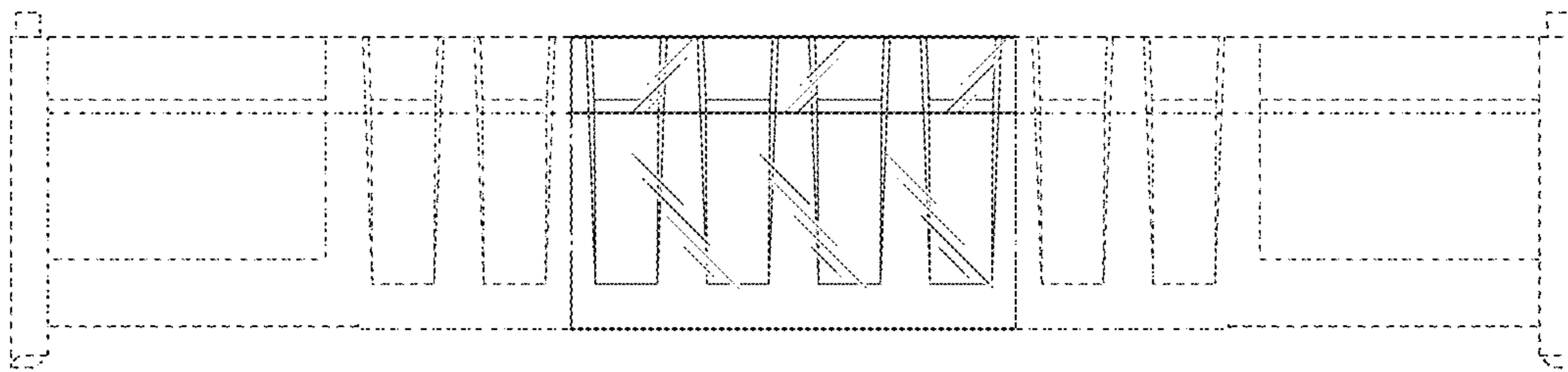


FIG. 15

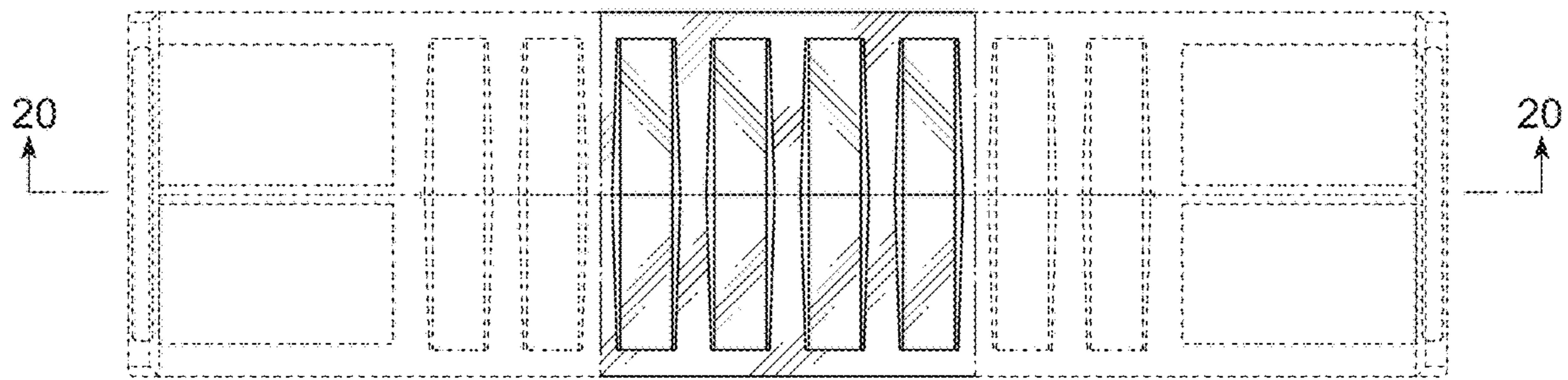


FIG. 16

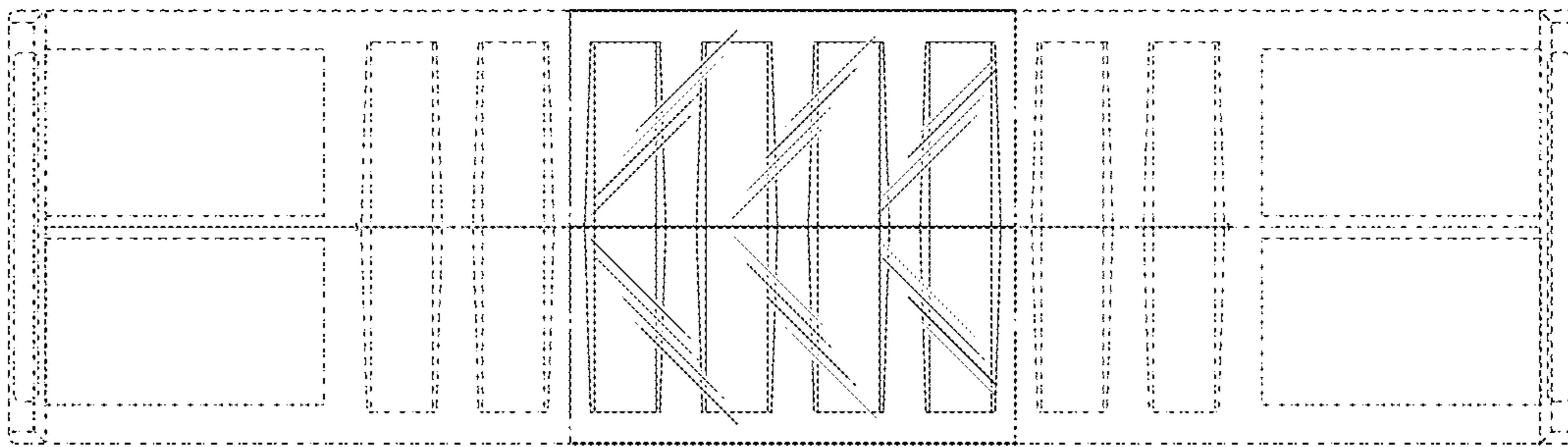


FIG. 17

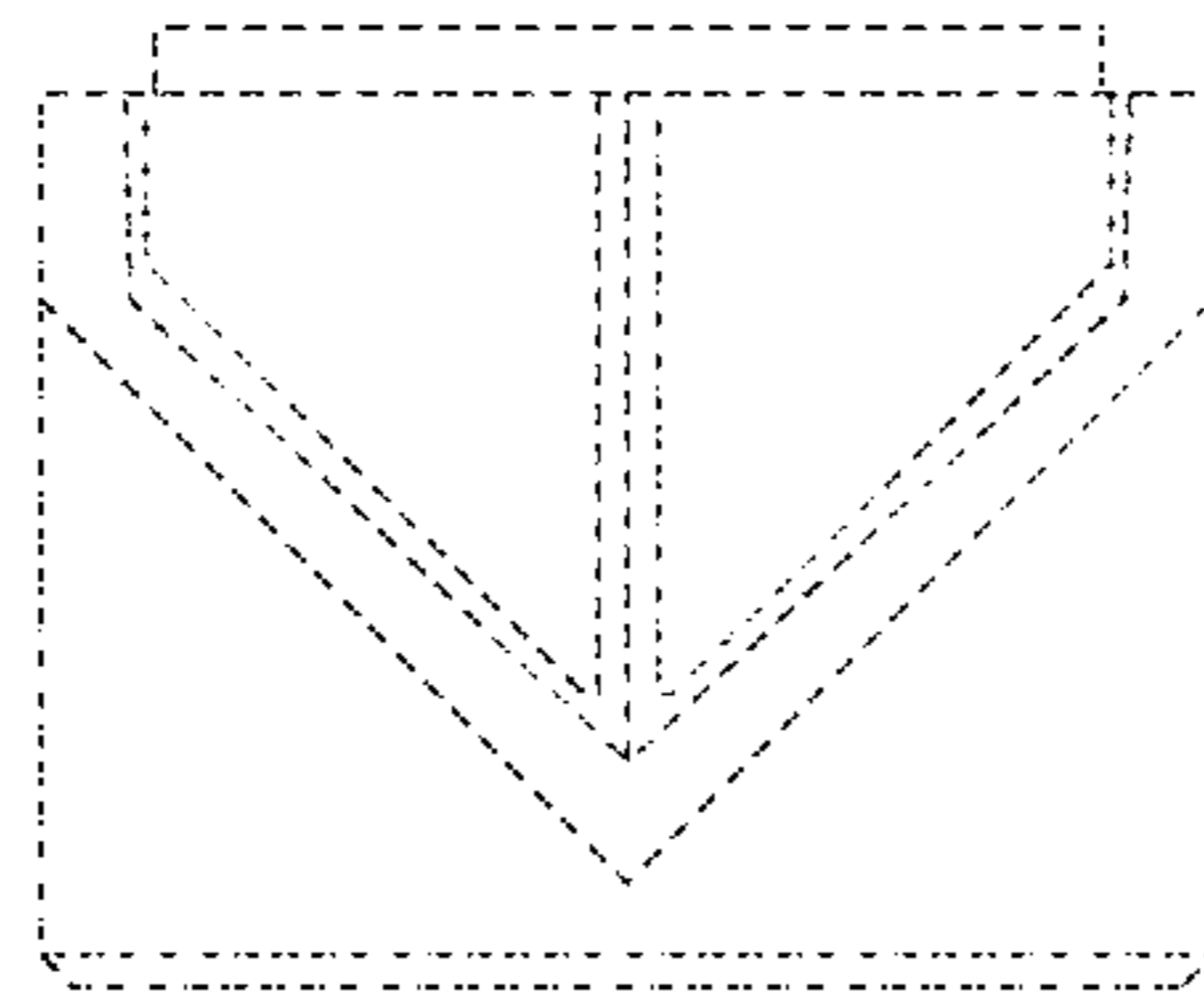


FIG. 18

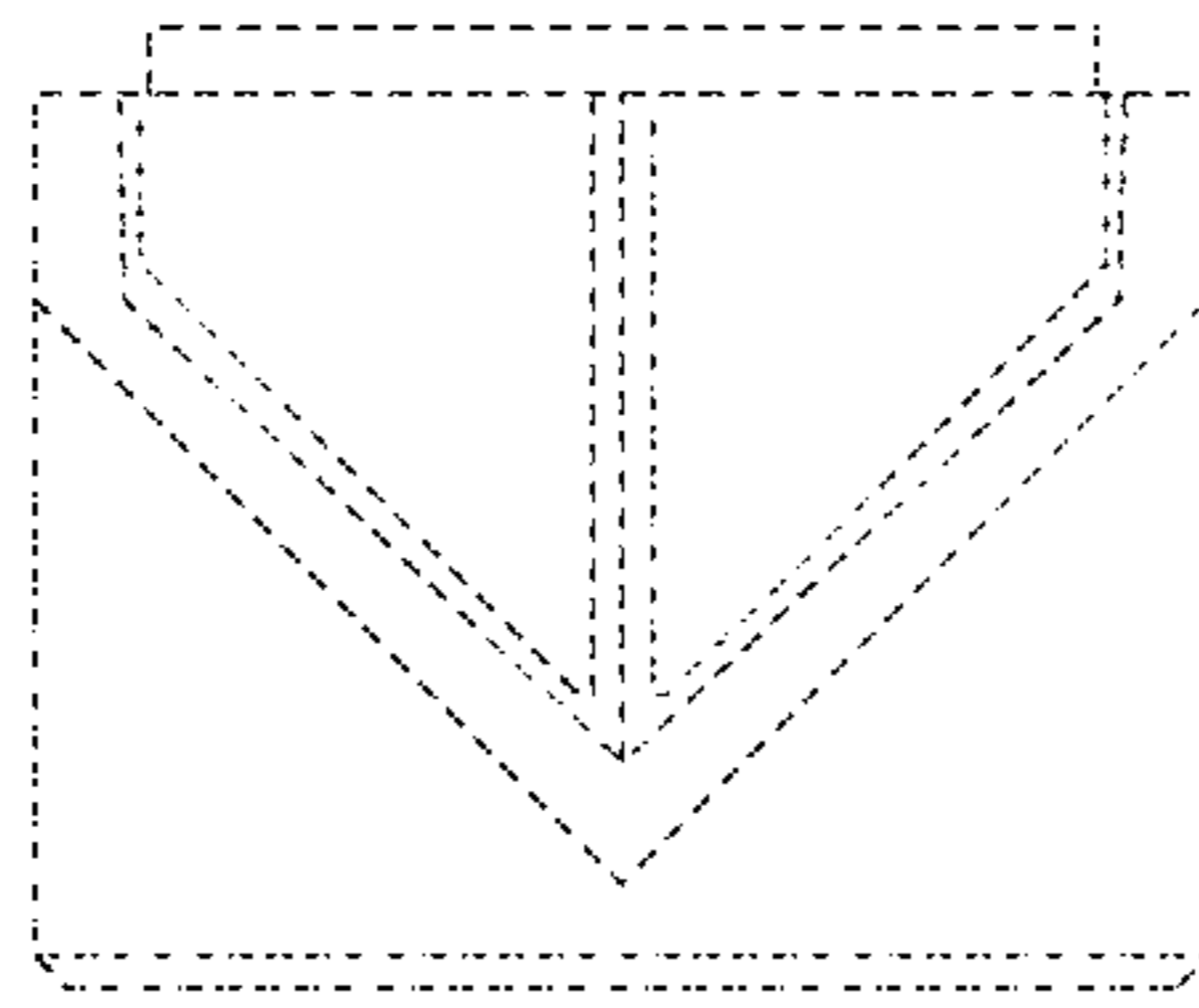


FIG. 19

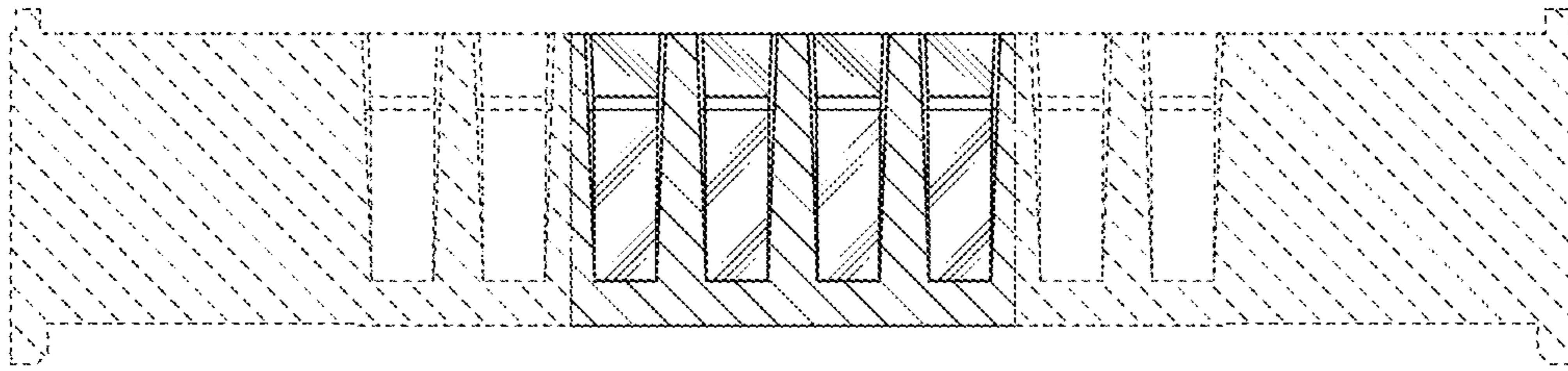


FIG. 20

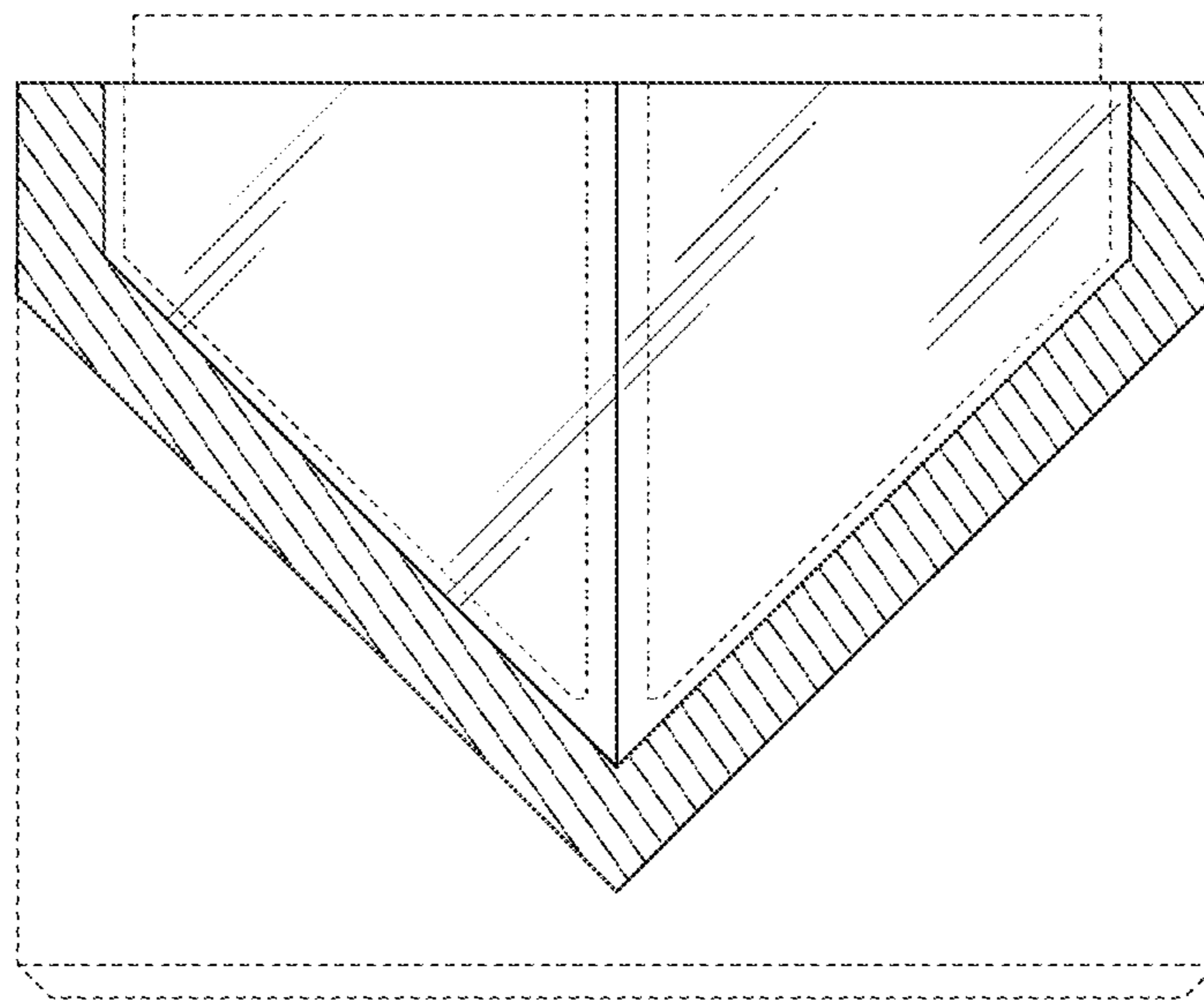


FIG. 21

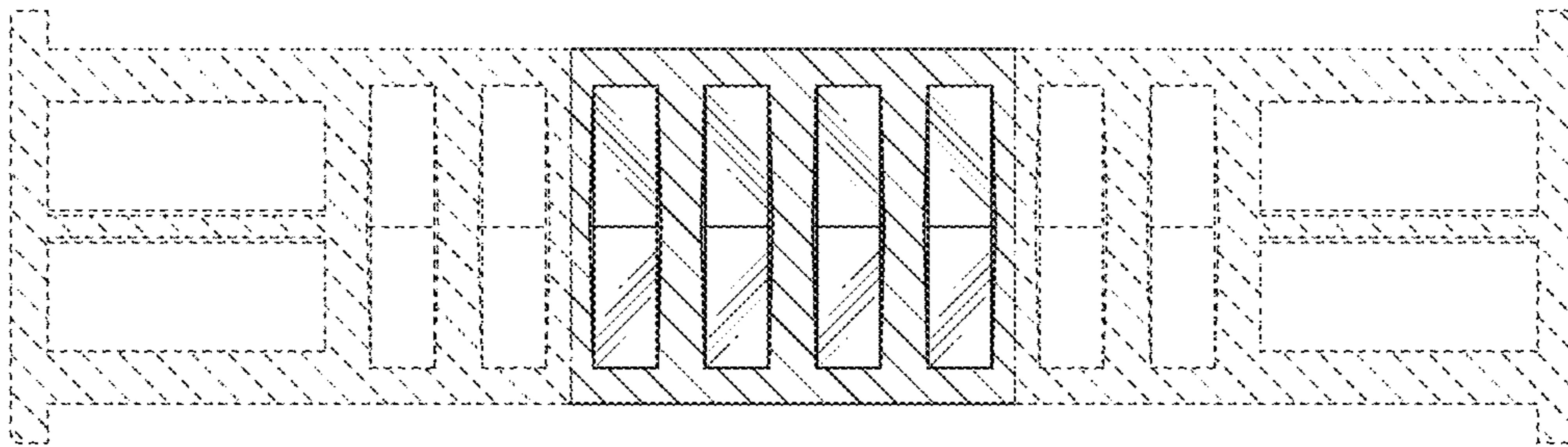


FIG. 22