

US00D920534S

(12) **United States Design Patent** (10) **Patent No.:** **US D920,534 S**
Mendoza (45) **Date of Patent:** **** May 25, 2021**

(54) **BLOOD SAMPLE FILTRATION DEVICE**

D745,679 S * 12/2015 Verri D24/162
D771,833 S * 11/2016 Leaver D24/224
D771,834 S * 11/2016 Leaver D24/224
D772,427 S * 11/2016 Leaver D24/224

(Continued)

(71) Applicant: **CanaryQ, Inc.**, Mountain View, CA
(US)

(72) Inventor: **Estevan Mendoza**, Mountain View, CA
(US)

(73) Assignee: **CanaryQ, Inc.**, Mountain View, CA
(US)

FOREIGN PATENT DOCUMENTS

AU 2013204820 A1 5/2013
BE 849898 A 6/1977

(Continued)

(**) Term: **15 Years**

OTHER PUBLICATIONS

(21) Appl. No.: **29/674,574**

(22) Filed: **Dec. 21, 2018**

(51) **LOC (13) Cl.** **24-02**

(52) **U.S. Cl.**
USPC **D24/224**

(58) **Field of Classification Search**
USPC D24/121–122, 186, 216–217, 219,
D24/223–226, 227, 229–232; D10/81
CPC . A61M 1/1698; A61M 1/3479; A61M 1/3627
See application file for complete search history.

Portable vibration-assisted filtration device for on-site isolation of blood cells or pathogenic bacteria from whole human blood. Online, published date Mar. 2018. Retrieved on Mar. 14, 2020 from URL: <https://www.sciencedirect.com/science/article/pii/S0039914017310196>.*

Primary Examiner — Janice Hallmark
Assistant Examiner — Omeed Agilee
(74) *Attorney, Agent, or Firm* — Shay Glenn LLP

(56) **References Cited**

U.S. PATENT DOCUMENTS

3,939,822 A 2/1976 Markowitz
D305,934 S * 2/1990 Sone D23/209
4,915,847 A 4/1990 Dillon et al.
4,976,851 A 12/1990 Tanokura et al.
5,308,506 A 5/1994 McEwen et al.
D355,973 S * 2/1995 Ijiri D24/162
D403,975 S * 1/1999 Douglas D10/81
5,979,669 A 11/1999 Kitajima et al.
6,245,244 B1 6/2001 De Rooij
6,632,681 B1 10/2003 Chu
6,659,975 B2 12/2003 Amano et al.
D498,850 S * 11/2004 Ukon D24/216
D566,291 S * 4/2008 Parunak D24/224
7,745,106 B2 6/2010 Beretta et al.
D642,908 S * 8/2011 Fine D9/426
8,846,333 B2 9/2014 Karlsson

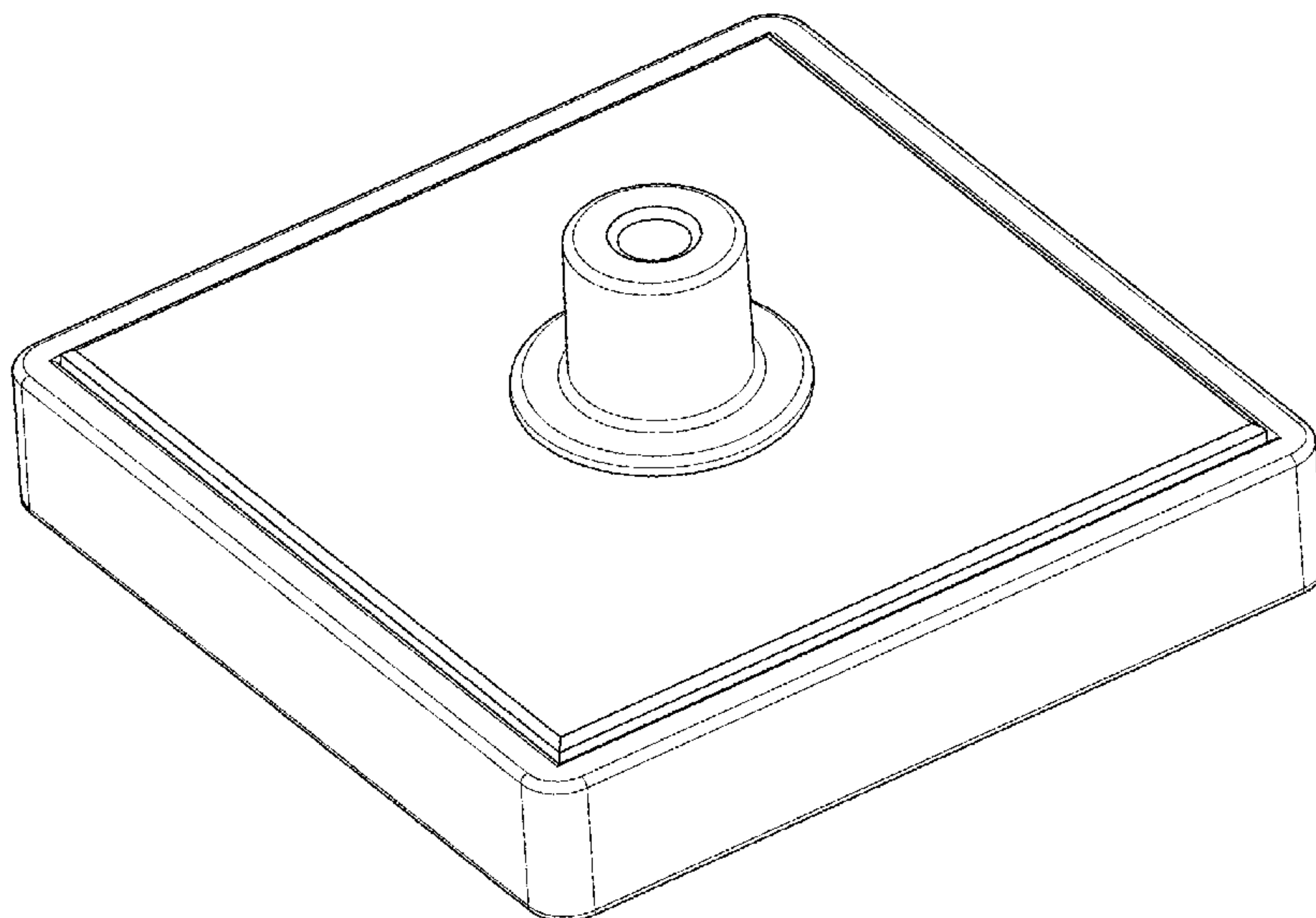
(57) **CLAIM**

The ornamental design for a blood sample filtration device, as shown and described.

DESCRIPTION

FIG. 1 is a front perspective view of a blood sample filtration device.
FIG. 2 is a bottom perspective view of the device illustrated in FIG. 1.
FIG. 3 is a front view of the device of FIG. 1.
FIG. 4 is a back view of the device of FIG. 1.
FIG. 5 is a first side view of the device of FIG. 1.
FIG. 6 is a second side view of the device of FIG. 1.
FIG. 7 is a top view of the device of FIG. 1; and,
FIG. 8 is a bottom view of the device of FIG. 1.

1 Claim, 8 Drawing Sheets



(56)

References Cited

U.S. PATENT DOCUMENTS

D867,610 S * 11/2019 Ohata D24/217
D875,271 S * 2/2020 Ringold D24/224
2001/0012612 A1 8/2001 Petersen et al.
2002/0058030 A1 5/2002 Monroy et al.
2011/0266160 A1 11/2011 Campbell et al.
2011/0268609 A1* 11/2011 Reggiani A61M 1/1698
422/46
2014/0080112 A1 3/2014 Ryan et al.
2014/0329268 A1 11/2014 Karlsson
2015/0060353 A1 3/2015 Neijzen et al.
2016/0082174 A1 3/2016 Margraf et al.
2020/0124508 A1 4/2020 Mendoza

FOREIGN PATENT DOCUMENTS

GB 2232599 A 12/1990
JP 2000074906 A 3/2000
KR 3020180009715 * 2/2018
WO WO2016/073415 A2 5/2016
WO WO2019/005833 A1 1/2019

* cited by examiner

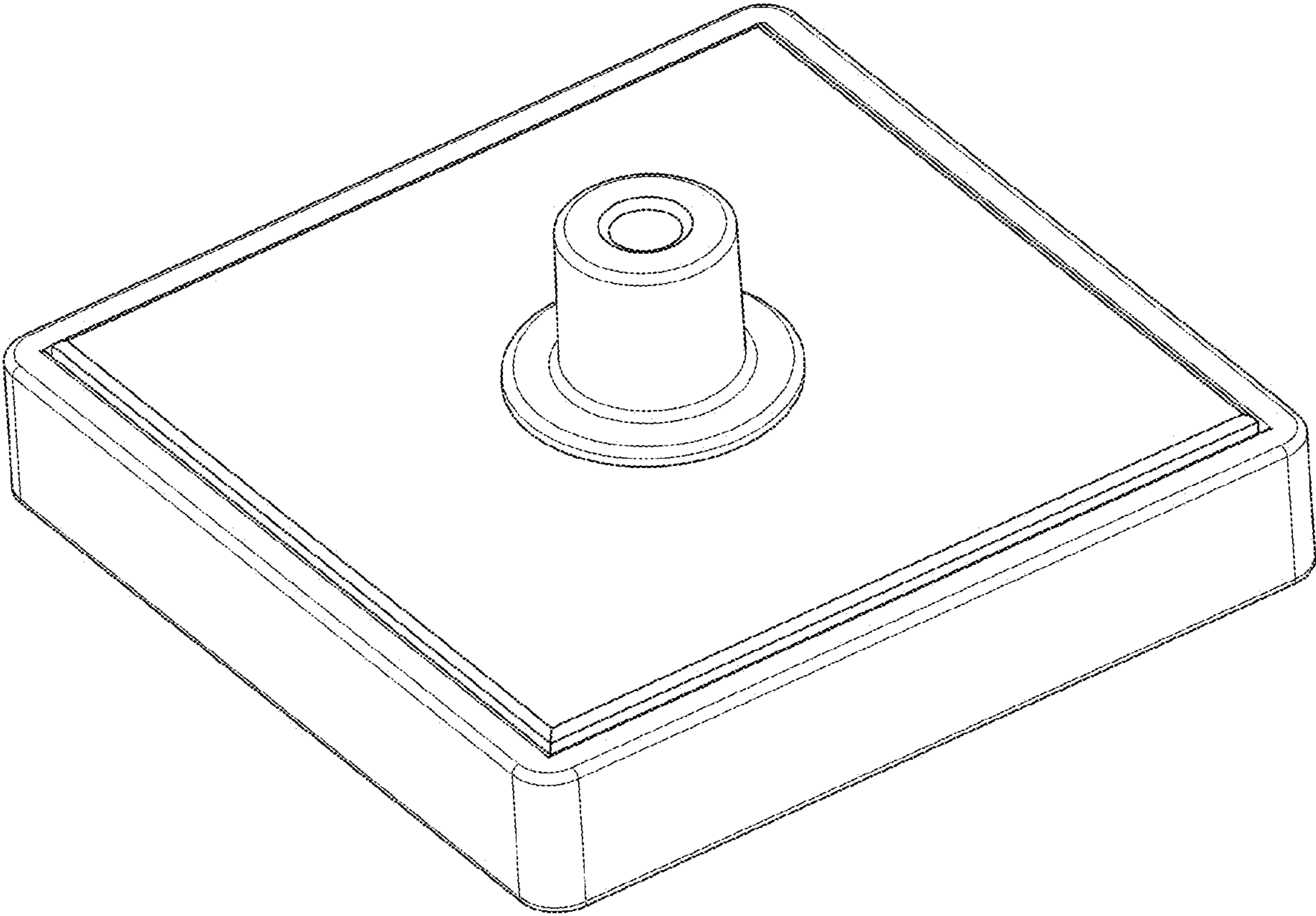


FIG. 1

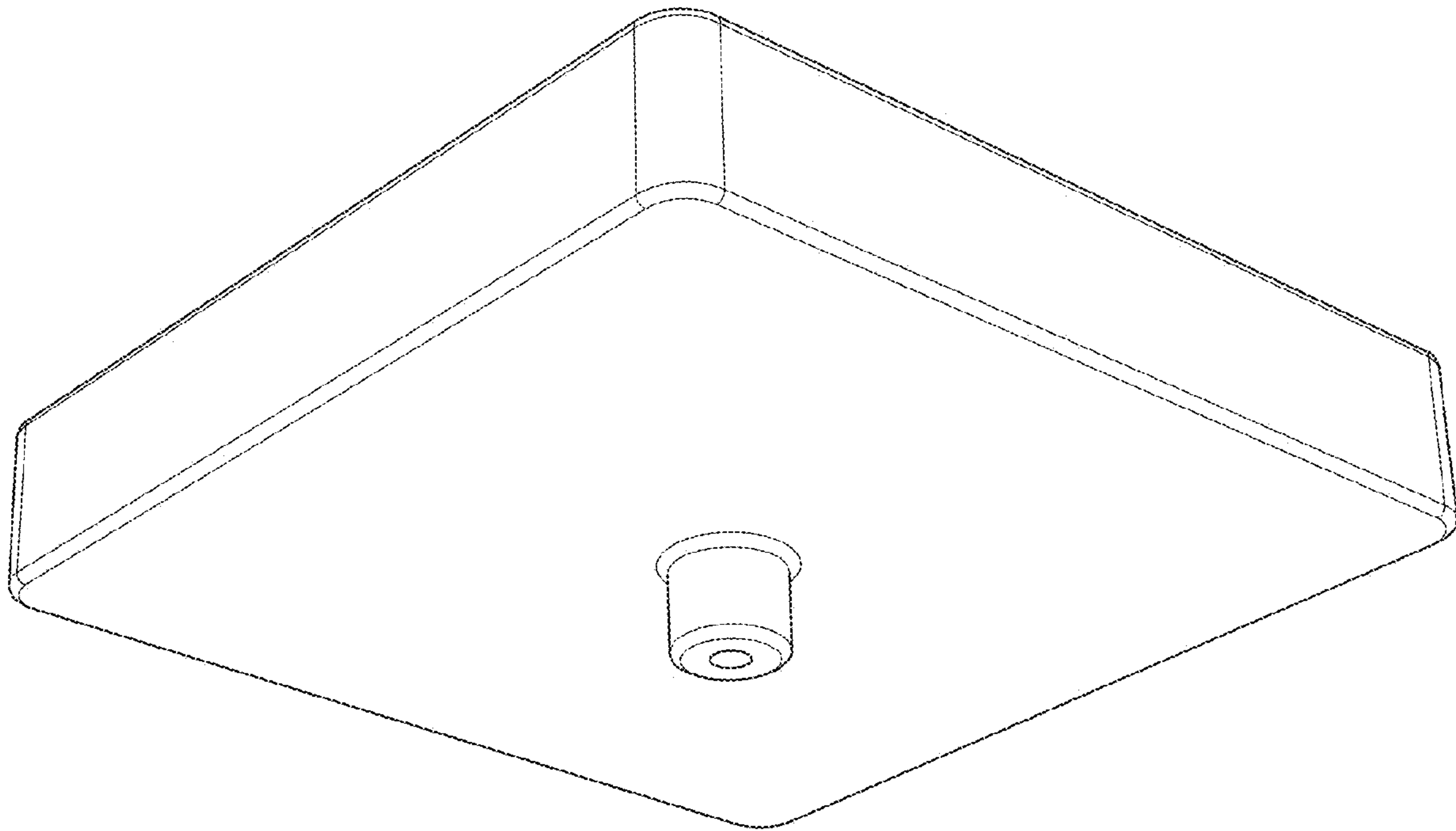


FIG. 2

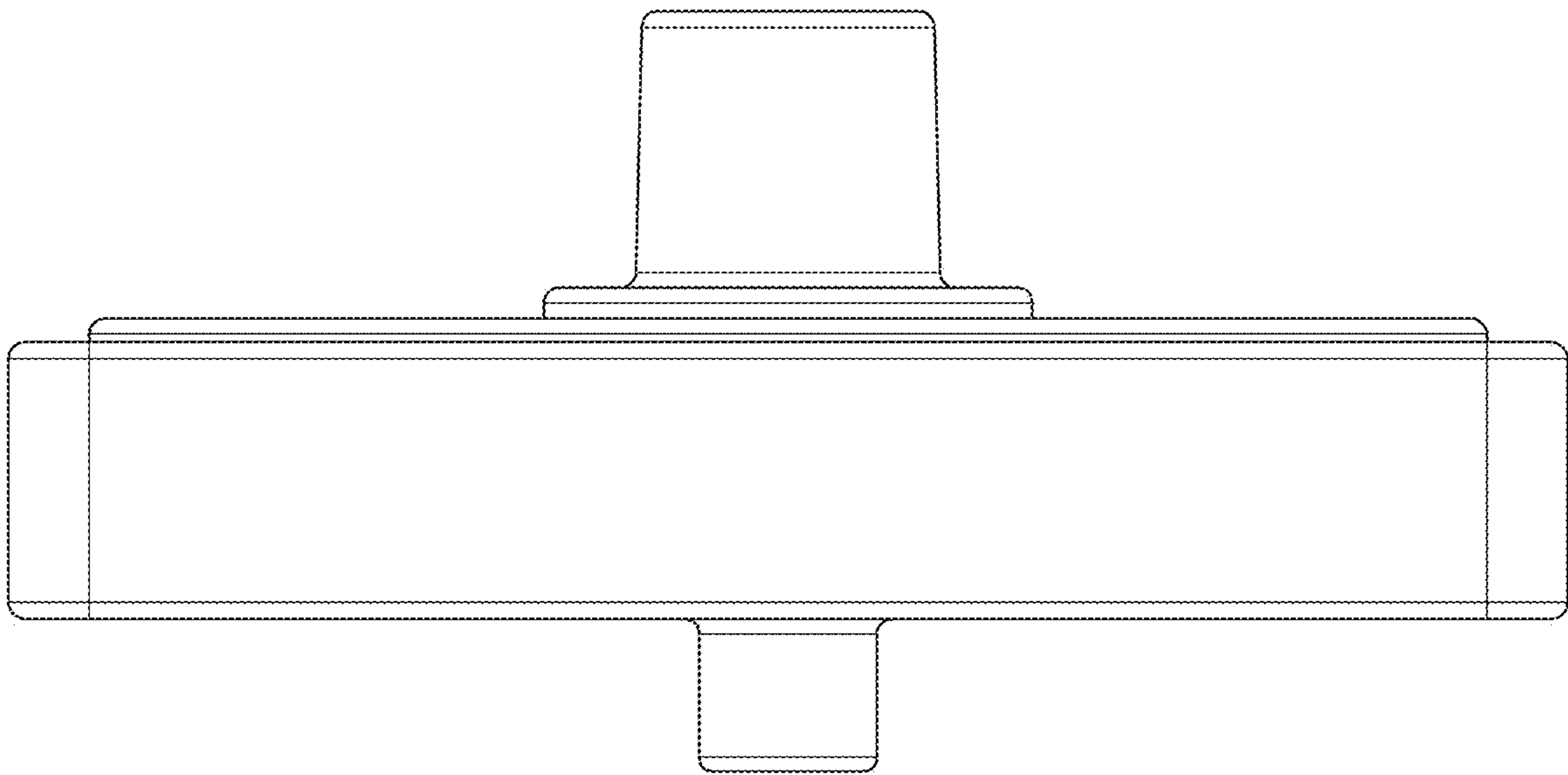


FIG. 3

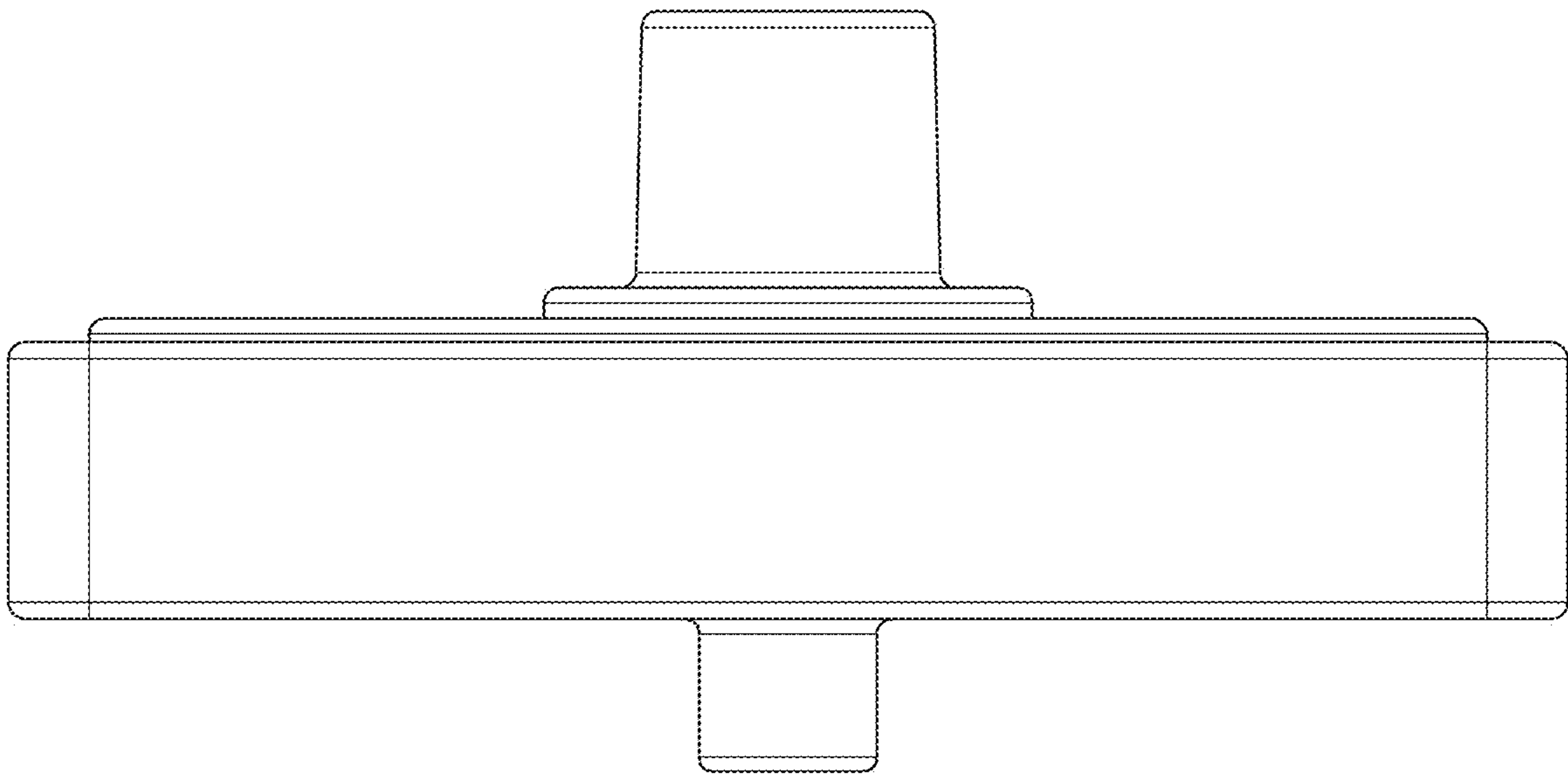


FIG. 4

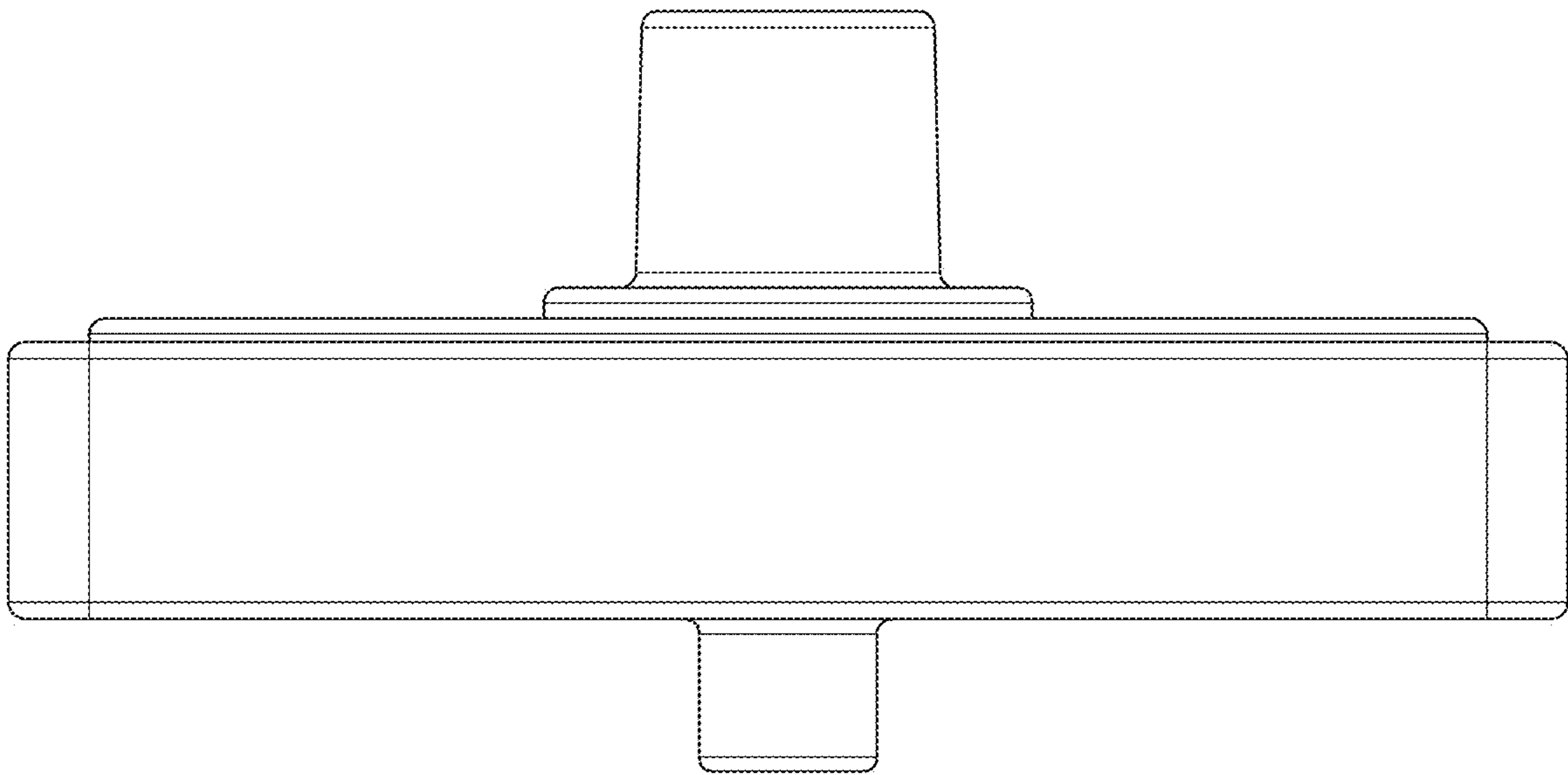


FIG. 5

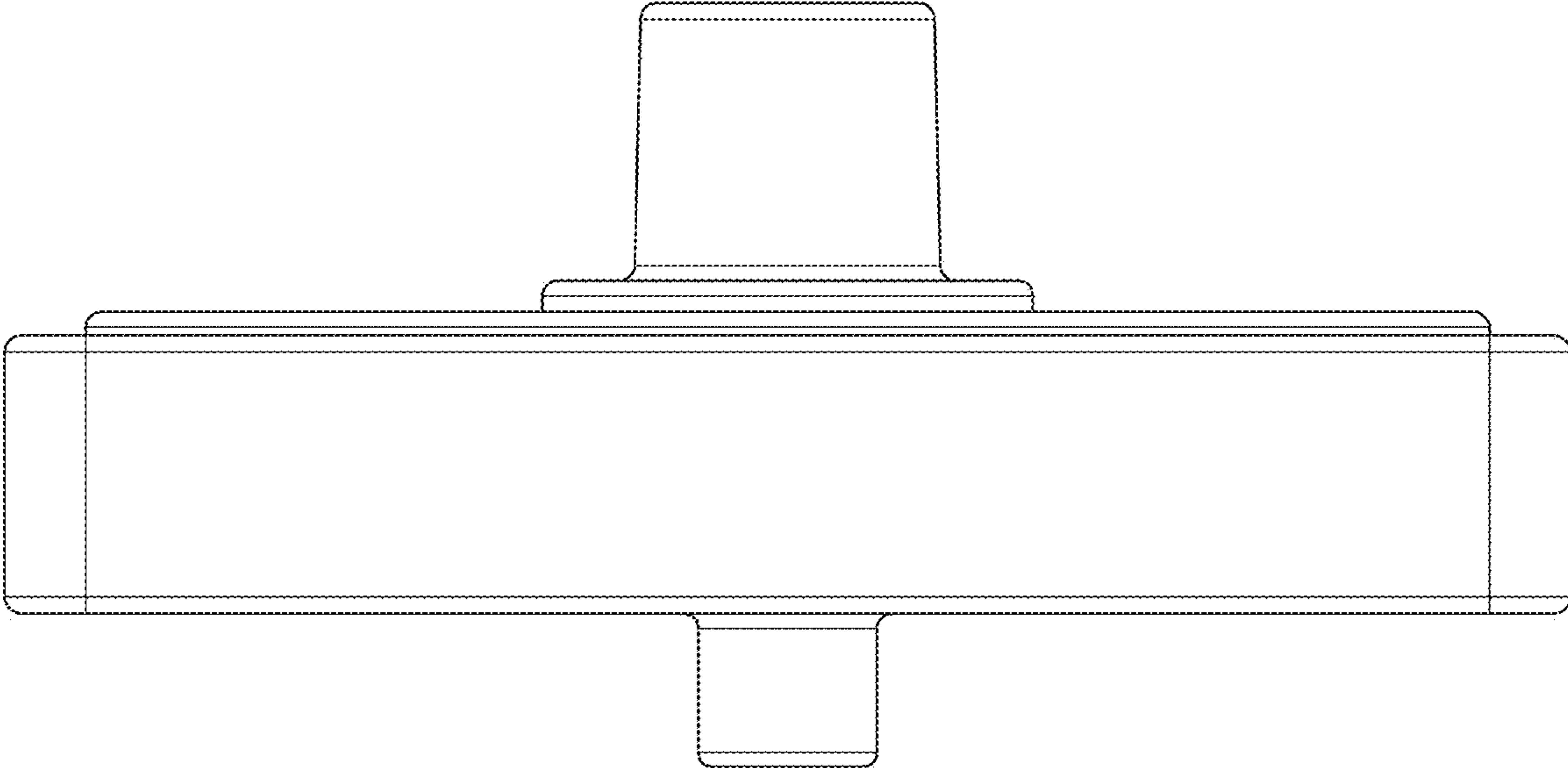


FIG. 6

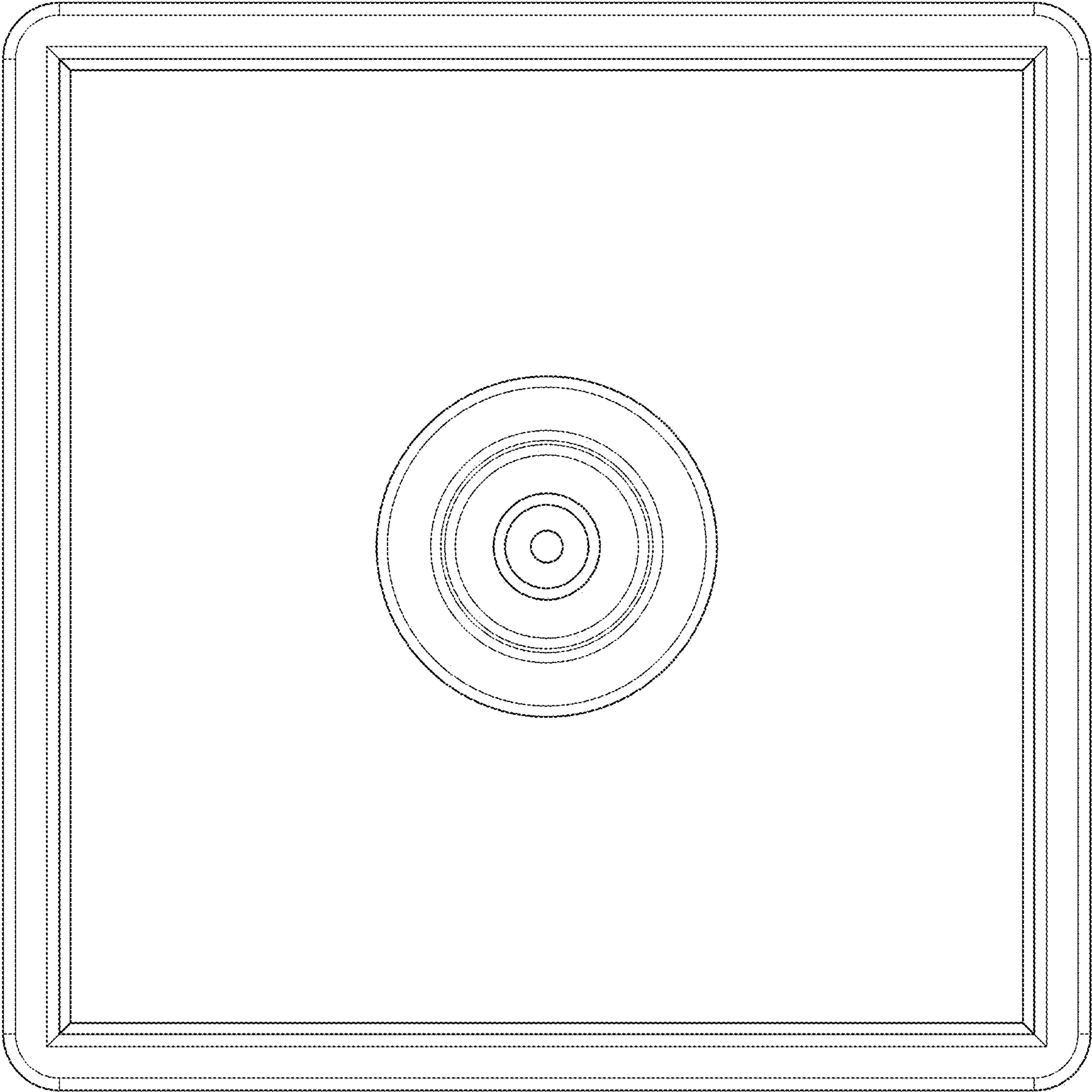


FIG. 7

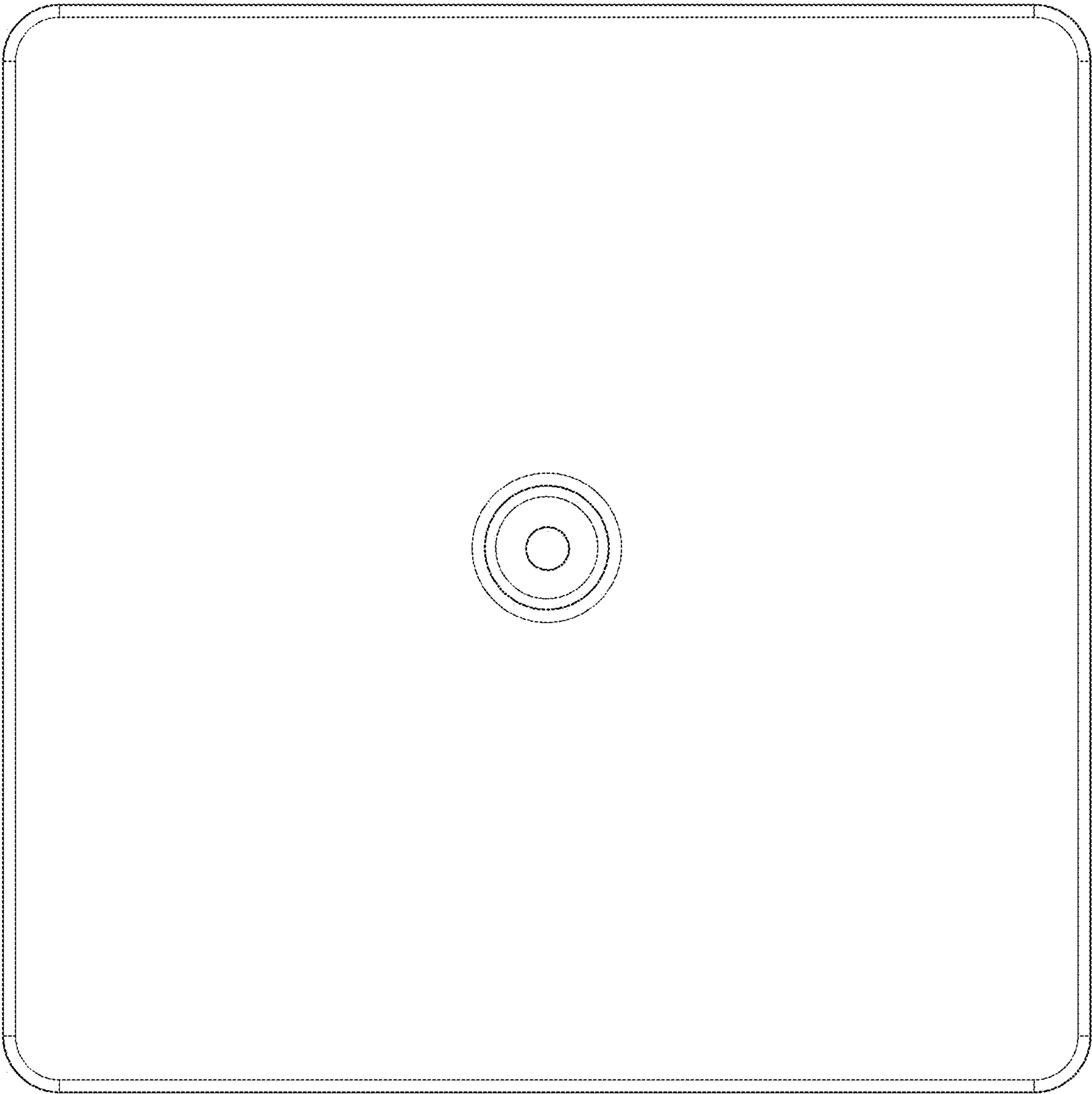


FIG. 8