



US00D920527S

(12) **United States Design Patent** (10) **Patent No.:** **US D920,527 S**  
**Renz** (45) **Date of Patent:** **\*\* \*May 25, 2021**

- (54) **BOTTLE LINER**
- (71) Applicant: **ANGELCARE FEEDING USA, LLC**,  
Newark, DE (US)
- (72) Inventor: **Charles Renz**, Briarcliff Manor, NY  
(US)
- (73) Assignee: **ANGELCARE FEEDING USA, LLC**,  
Newark, DE (US)
- (\*) Notice: This patent is subject to a terminal disclaimer.
- (\*\*) Term: **15 Years**
- (21) Appl. No.: **29/691,311**
- (22) Filed: **May 15, 2019**

5,385,251 A \* 1/1995 Dunn ..... A61J 9/001  
215/11.1  
D380,271 S \* 6/1997 Reinbolt ..... D24/197  
6,050,432 A \* 4/2000 Koehnke ..... A61J 9/001  
215/11.3

(Continued)

**FOREIGN PATENT DOCUMENTS**

WO 90/14066 A1 11/1990

**OTHER PUBLICATIONS**

“Playtex Baby Nurser Reusable Silicone Pods”. Found online Oct. 7, 2020 at walmart.com. Reference dated Feb. 26, 2020. Retrieved from <https://www.walmart.com/ip/Playtex-Baby-Nurser-Reusable-Silicone-Pods-6-oz-6-ct/530007059?wmlspartner=wlp&selectedSellerId=101003910>.\*

(Continued)

*Primary Examiner* — Kendra Leslie Hamilton  
(74) *Attorney, Agent, or Firm* — Norton Rose Fulbright  
US LLP

**Related U.S. Application Data**

- (63) Continuation of application No. PCT/US2018/064723, filed on Dec. 10, 2018.
- (51) **LOC (13) Cl.** ..... **07-01**
- (52) **U.S. Cl.**  
USPC ..... **D24/197**
- (58) **Field of Classification Search**  
USPC ..... D24/193, 194, 195, 196, 197, 198, 199;  
D7/392, 510, 511, 619.1; D9/516, 530,  
D9/719, 761; D3/316, 229  
CPC ..... A61J 9/00; A61J 9/001  
See application file for complete search history.

(57) **CLAIM**

I claim the ornamental design for a bottle liner, as shown and described.

**DESCRIPTION**

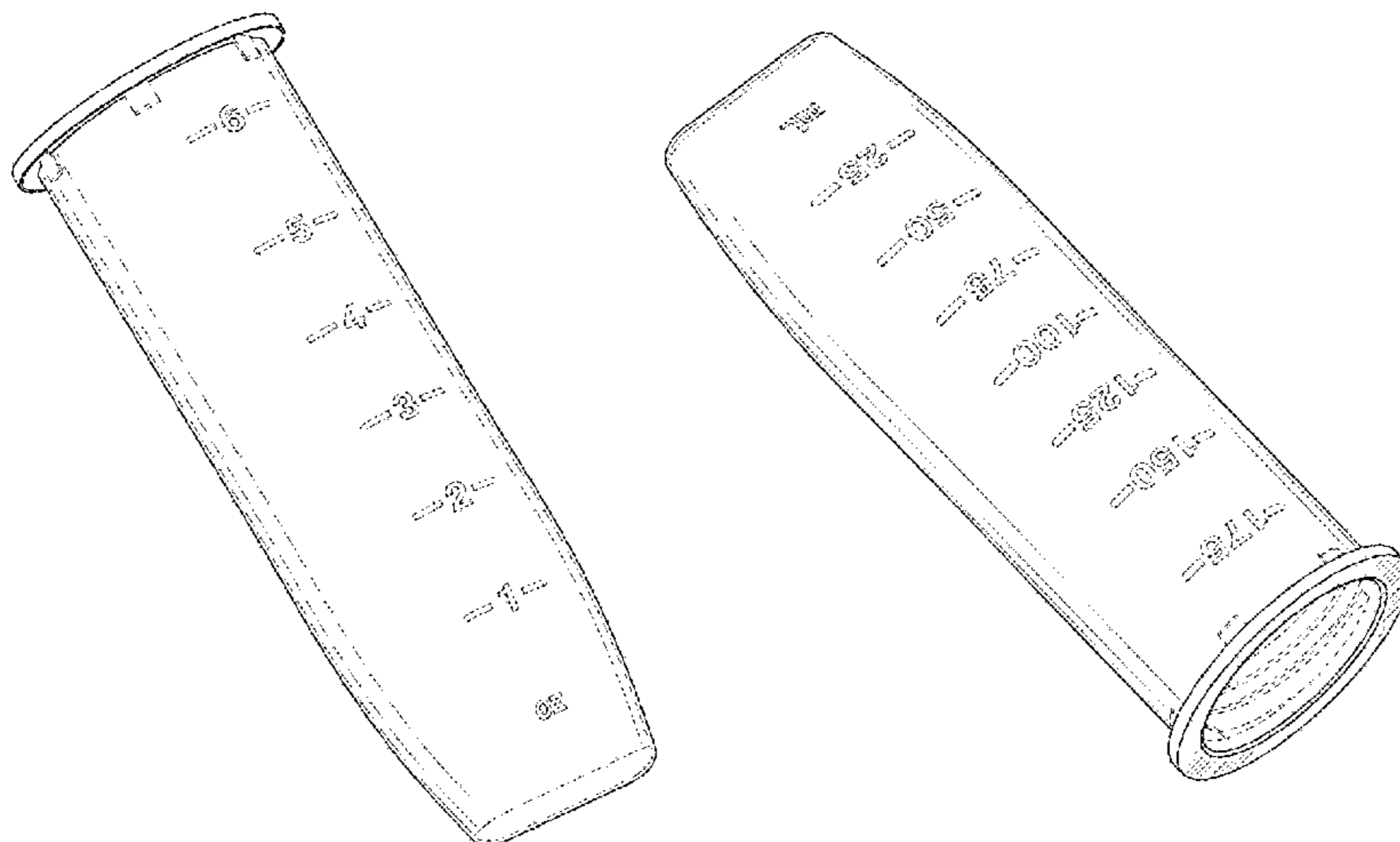
FIG. 1 is a bottom, front, left perspective view of a bottle liner, showing my new design;  
FIG. 2 is a top, rear, left perspective view of the bottle liner, showing my new design;  
FIG. 3 is a front elevation view thereof;  
FIG. 4 is a rear elevation view thereof;  
FIG. 5 is a left side elevation view thereof;  
FIG. 6 is a right side elevation view thereof;  
FIG. 7 is a top plan view thereof; and,  
FIG. 8 is a bottom plan view thereof.

(Continued)

(56) **References Cited**

**U.S. PATENT DOCUMENTS**

3,834,570 A \* 9/1974 Barr ..... A61J 9/001  
215/11.3  
3,851,781 A 12/1974 Marco  
4,821,896 A \* 4/1989 Cheng ..... A61J 9/001  
215/11.3  
D315,601 S \* 3/1991 McCoy ..... D24/197



In the drawings, the broken lines depict only environmental subject matter that forms no part of the claimed design. Surface shading in the figures is provided solely to indicate contour.

**1 Claim, 4 Drawing Sheets**

(56)

**References Cited**

U.S. PATENT DOCUMENTS

6,899,239	B1 *	5/2005	Gray .....	A61J 9/001 215/11.3
D590,950	S *	4/2009	Driver .....	D24/197
8,357,116	B2 *	1/2013	Simdon .....	A61M 1/062 604/74
D681,837	S *	5/2013	Rushing .....	D24/197
8,499,946	B2 *	8/2013	Giles .....	A61J 9/001 215/11.3
D702,360	S *	4/2014	Shenker .....	D24/197

2006/0078656	A1 *	4/2006	Manning .....	A61J 9/001 426/117
2008/0302751	A1	12/2008	Segovia, Jr.	
2015/0144584	A1	5/2015	Renz et al.	

OTHER PUBLICATIONS

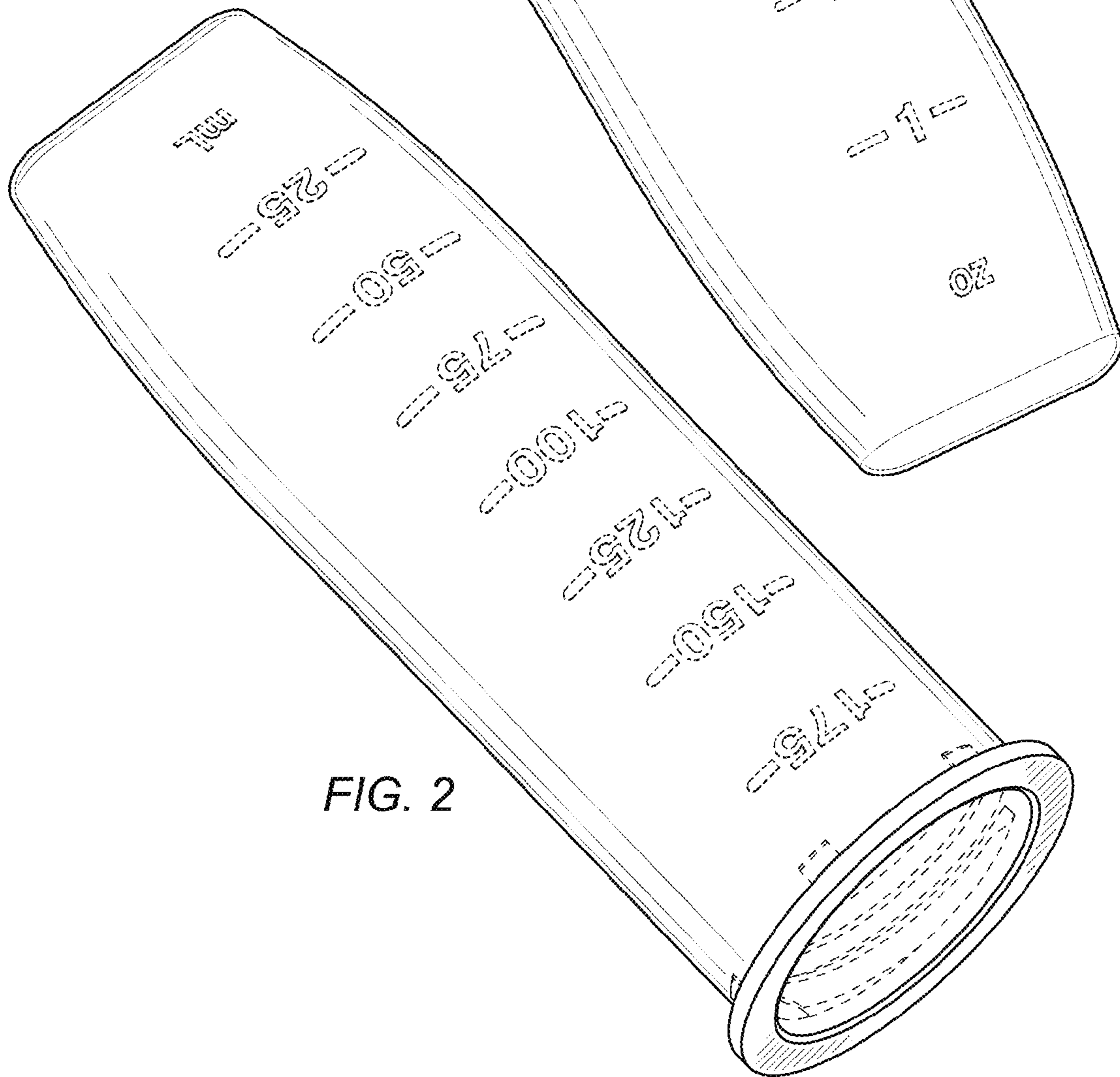
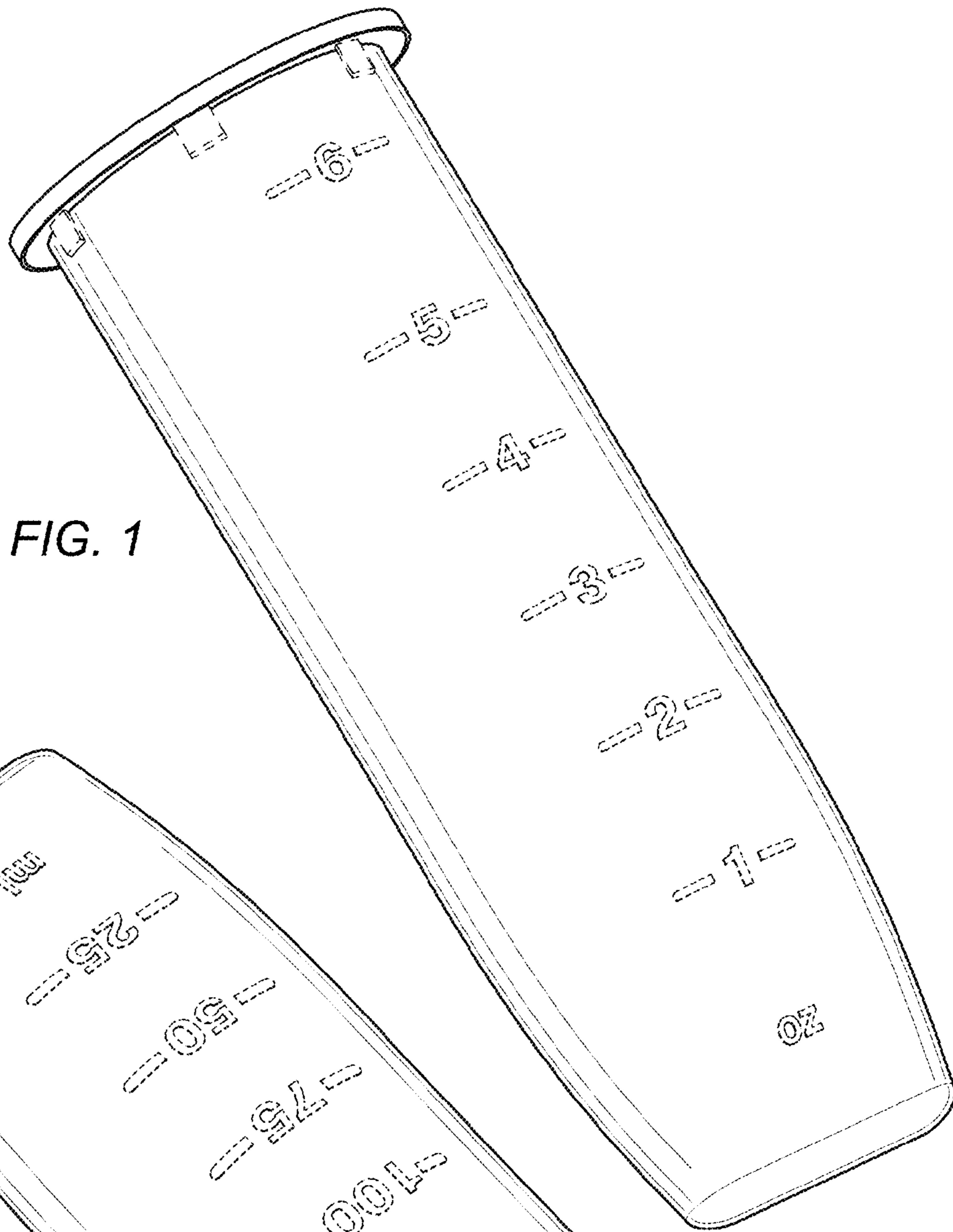
“Kinderville Ice Pop Molds”. Found online Oct. 7, 2020 at clearandwell.com. Reference dated Jun. 30, 2010. Retrieved from <https://clearandwell.com/bpa-free-kinderville-ice-pop-molds-are-a-must-for-summer/>.\*

“Playtex Baby Drop-Ins Liners For Playtex Baby Nurser Bottles”. Found online Oct. 7, 2020 at upcitemdb.com. Reference dated Jul. 3, 2015. Retrieved from <https://www.upcitemdb.com/upc/78300055341>.\*

“Norpro 4-Piece Silicone Ice Pop Maker Set”. Found online Oct. 7, 2020 at amazon.com. Reference dated Jan. 29, 2010. Retrieved from [https://www.amazon.com/Norpro-431-4-Piece-Silicone-Maker/dp/B0036B9KHO/ref=asc\\_df\\_B0036B9KHO/?tag=hyprod-20&linkCode=df0&hvadid](https://www.amazon.com/Norpro-431-4-Piece-Silicone-Maker/dp/B0036B9KHO/ref=asc_df_B0036B9KHO/?tag=hyprod-20&linkCode=df0&hvadid).\*

PCT Written Opinion and Search Report issued in connection with corresponding PCT/2018/064723 dated Jun. 20, 2019.

\* cited by examiner



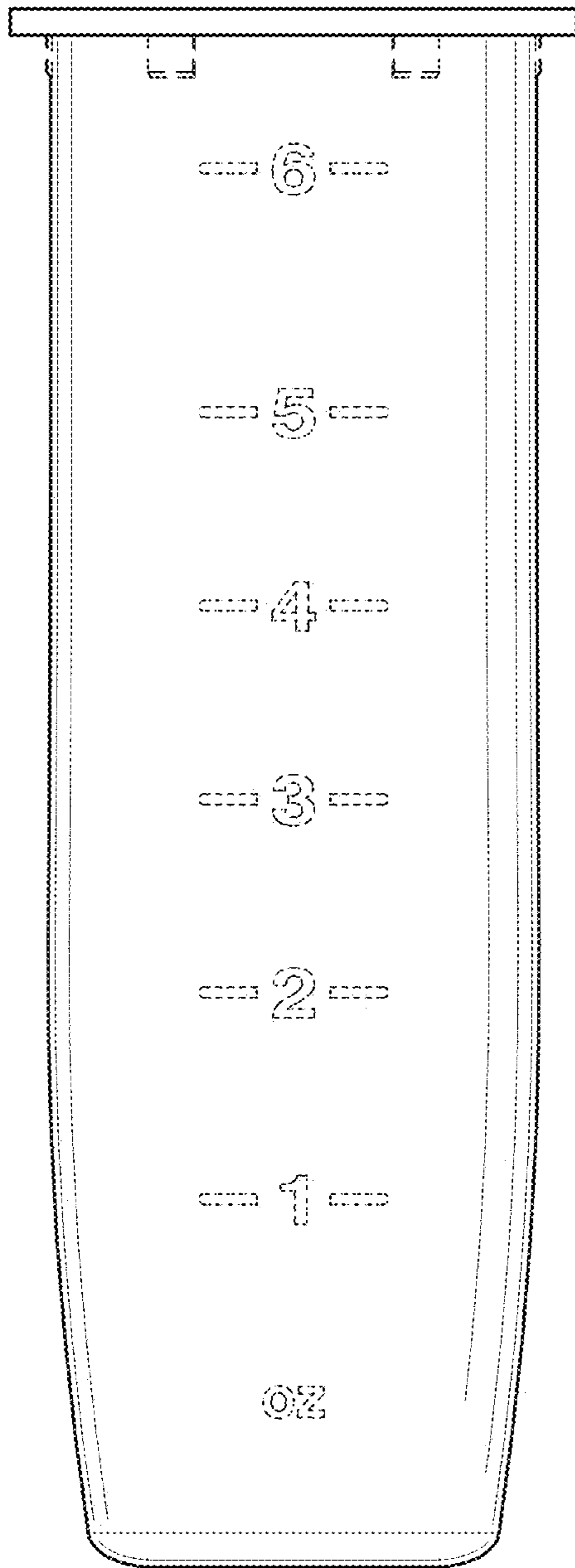


FIG. 3

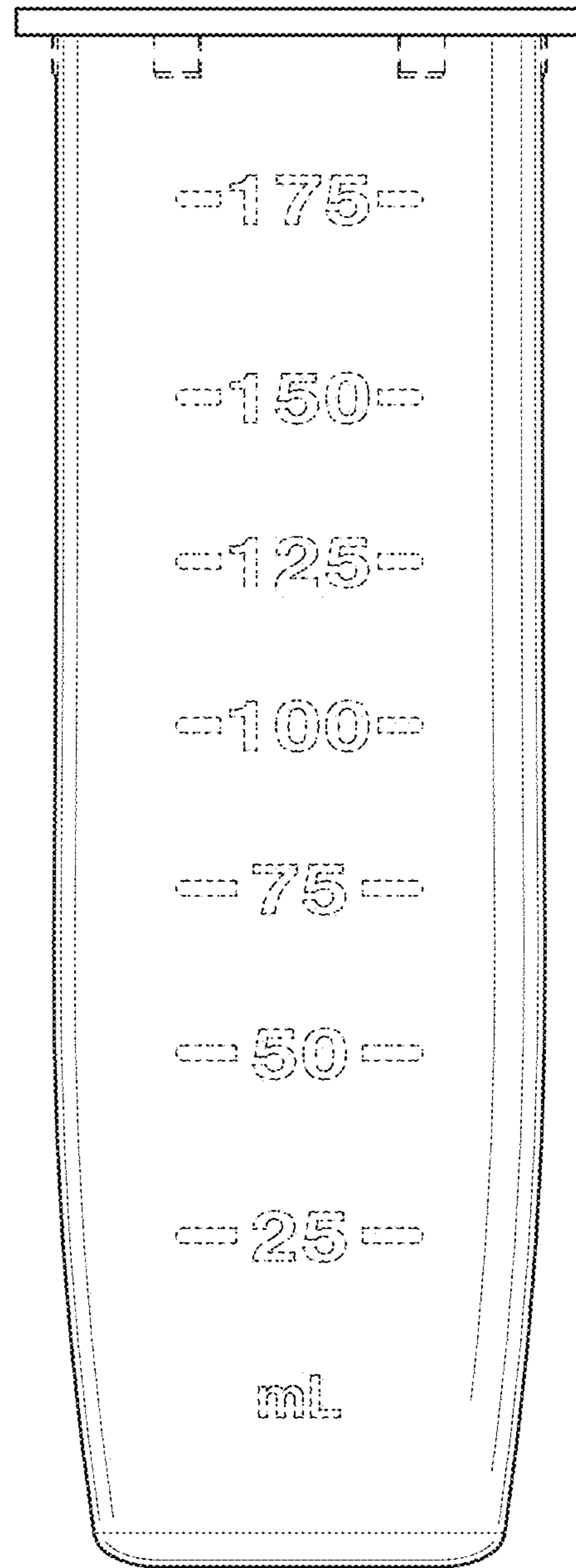


FIG. 4

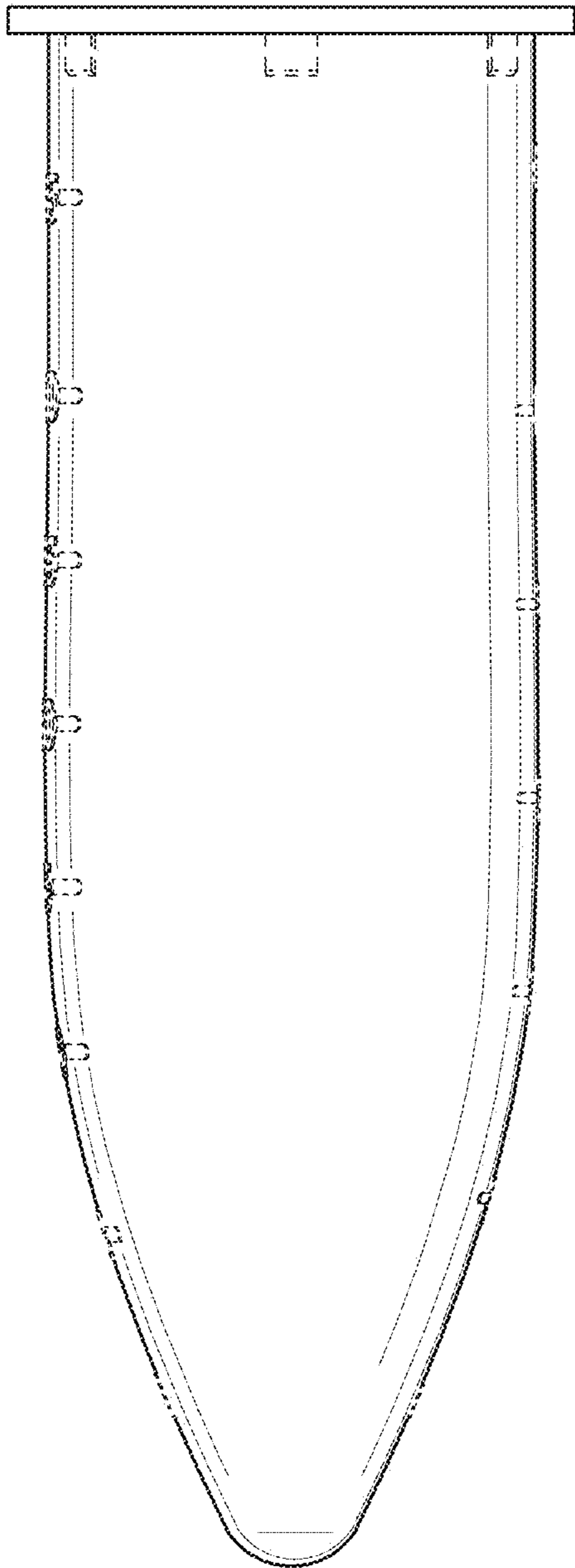


FIG. 5

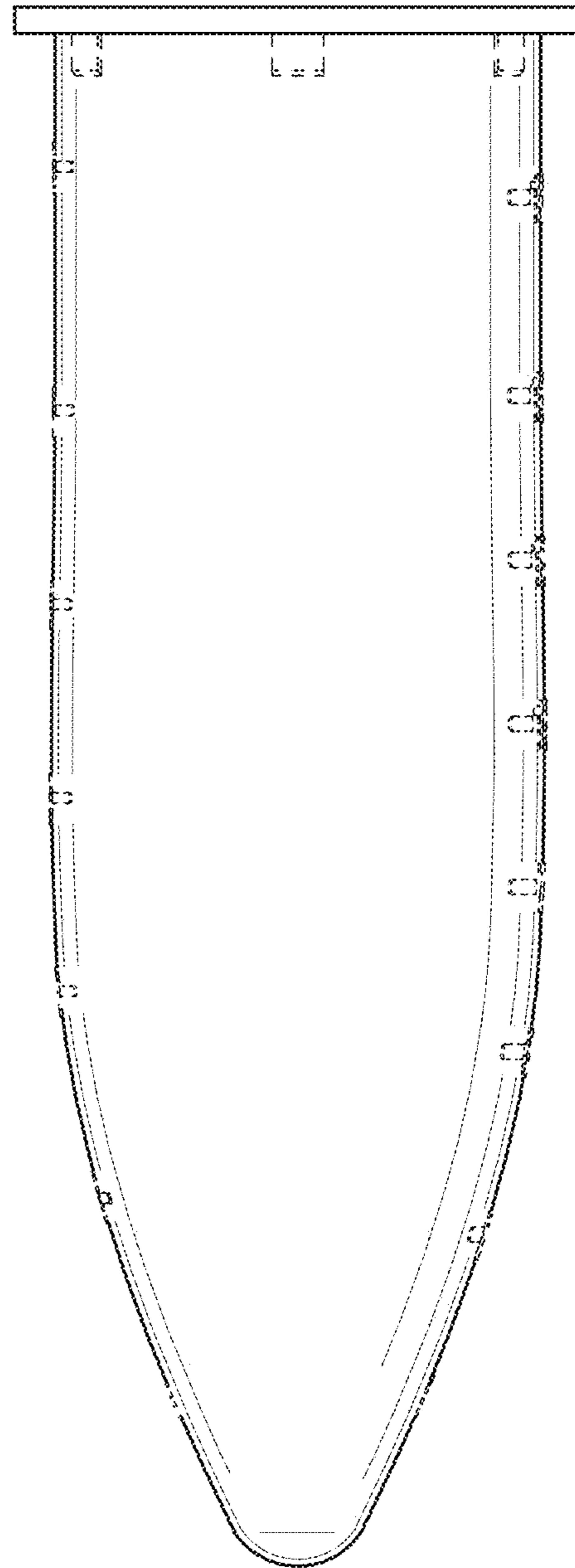


FIG. 6

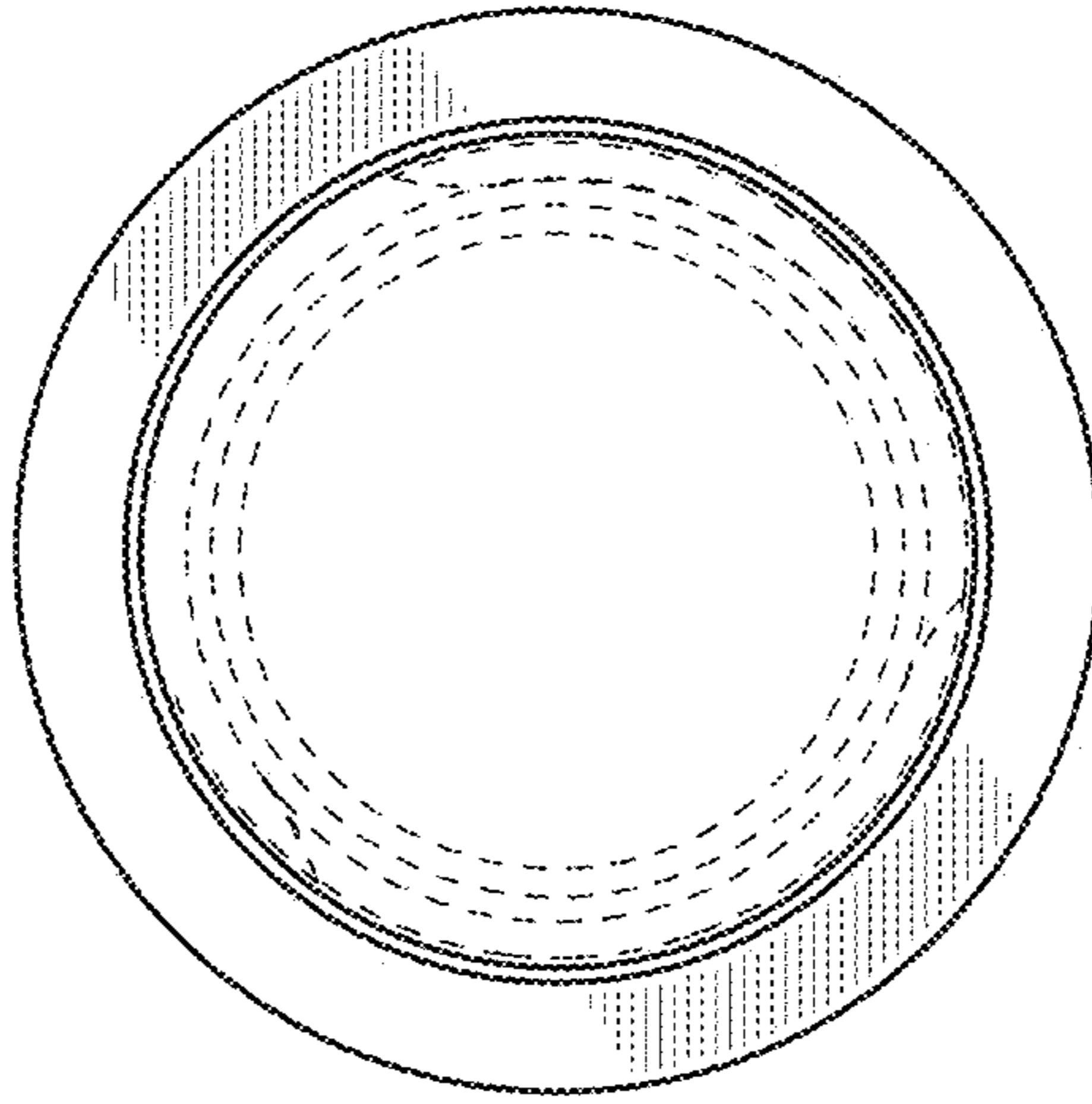


FIG. 7

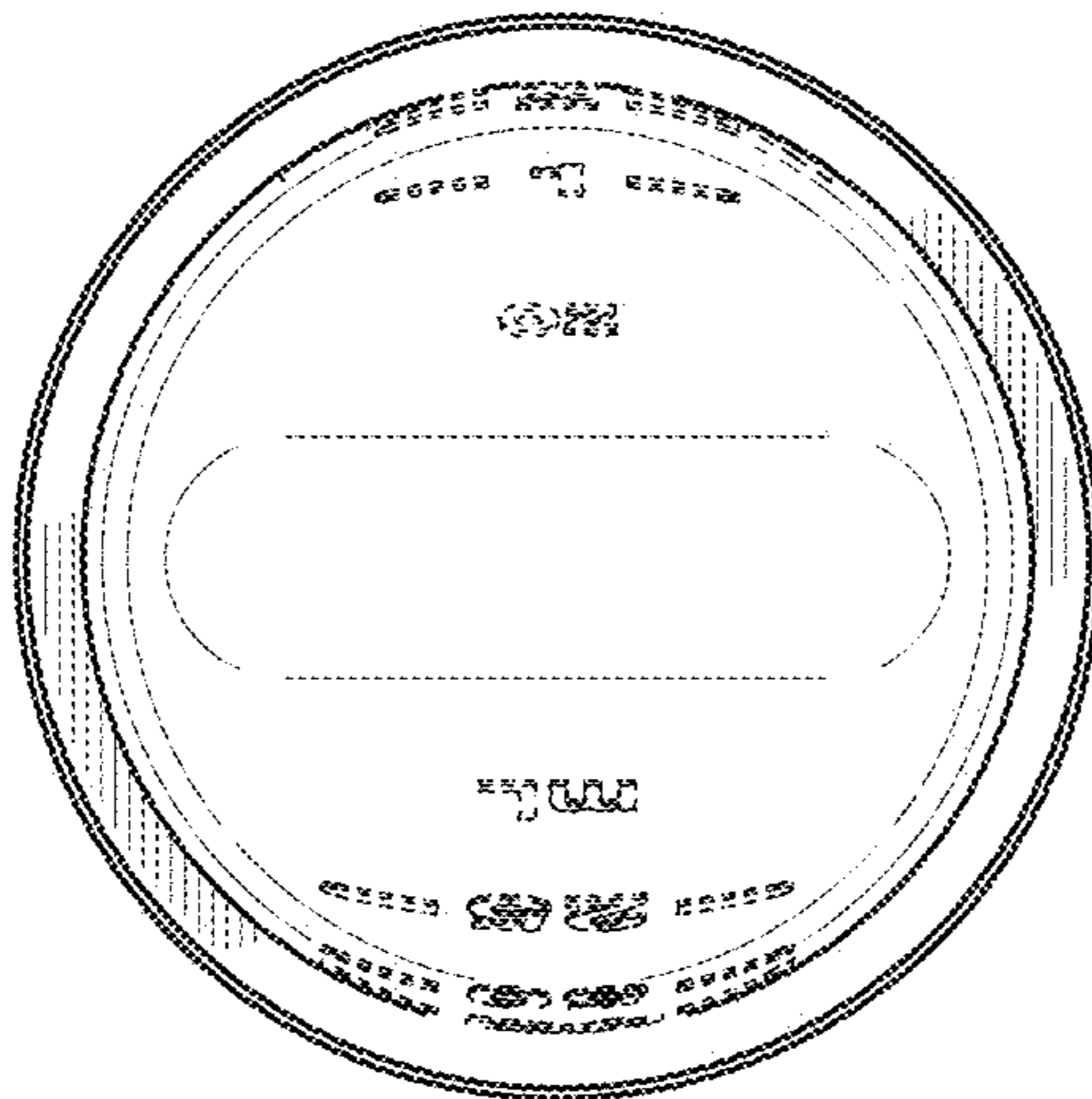


FIG. 8