



US00D920523S

(12) **United States Design Patent** (10) **Patent No.:** **US D920,523 S**  
**Lin** (45) **Date of Patent:** **\*\* May 25, 2021**

(54) **WAIST BELT**

(71) Applicant: **HUMBOLDT TECHNOLOGY (HK) LIMITED**, Hong Kong (CN)

(72) Inventor: **Wuqiang Lin**, Shenzhen (CN)

(73) Assignee: **HUMBOLDT TECHNOLOGY (HK) LIMITED**, Hong Kong (CN)

(\*\*) Term: **15 Years**

(21) Appl. No.: **29/750,882**

(22) Filed: **Sep. 17, 2020**

(51) **LOC (13) Cl.** ..... **24-01**

(52) **U.S. Cl.**  
USPC ..... **D24/190**

(58) **Field of Classification Search**  
USPC ..... D24/190–192; D29/101.5  
CPC .. A61F 5/028; A61F 5/03; A61F 5/024; A61F 5/0193; A61F 5/02; A61F 5/026; A61F 5/0118; A61F 5/022; A61F 5/30; A61F 7/02; A61F 2007/0001; A61F 5/0106; A61F 5/055; A61F 2250/001  
See application file for complete search history.

(56) **References Cited**

**U.S. PATENT DOCUMENTS**

- 3,119,117 A \* 1/1964 Grubman ..... A41F 9/002 2/102
- D418,948 S \* 1/2000 London ..... D24/190
- D595,859 S 7/2009 Young
- D598,637 S 8/2009 Schildkraut
- D875,261 S 2/2020 Liu
- D884,199 S \* 5/2020 Mei ..... D24/190

- D884,200 S \* 5/2020 Mei ..... D24/190
- D913,630 S \* 3/2021 Mei ..... D2/702
- D914,889 S \* 3/2021 Langberg ..... D24/190
- D914,891 S \* 3/2021 Langberg ..... D24/190
- 2009/0326427 A1\* 12/2009 Kawahara ..... A61F 5/30 602/19
- 2013/0116609 A1\* 5/2013 Matsuo ..... D04B 21/20 602/19
- 2017/0303604 A1\* 10/2017 Kasabo ..... A41D 13/05
- 2017/0354531 A1\* 12/2017 Matsuo ..... A41C 1/08
- 2019/0343673 A1\* 11/2019 Wolanske ..... A61F 5/028

\* cited by examiner

*Primary Examiner* — Jennifer L Watkins

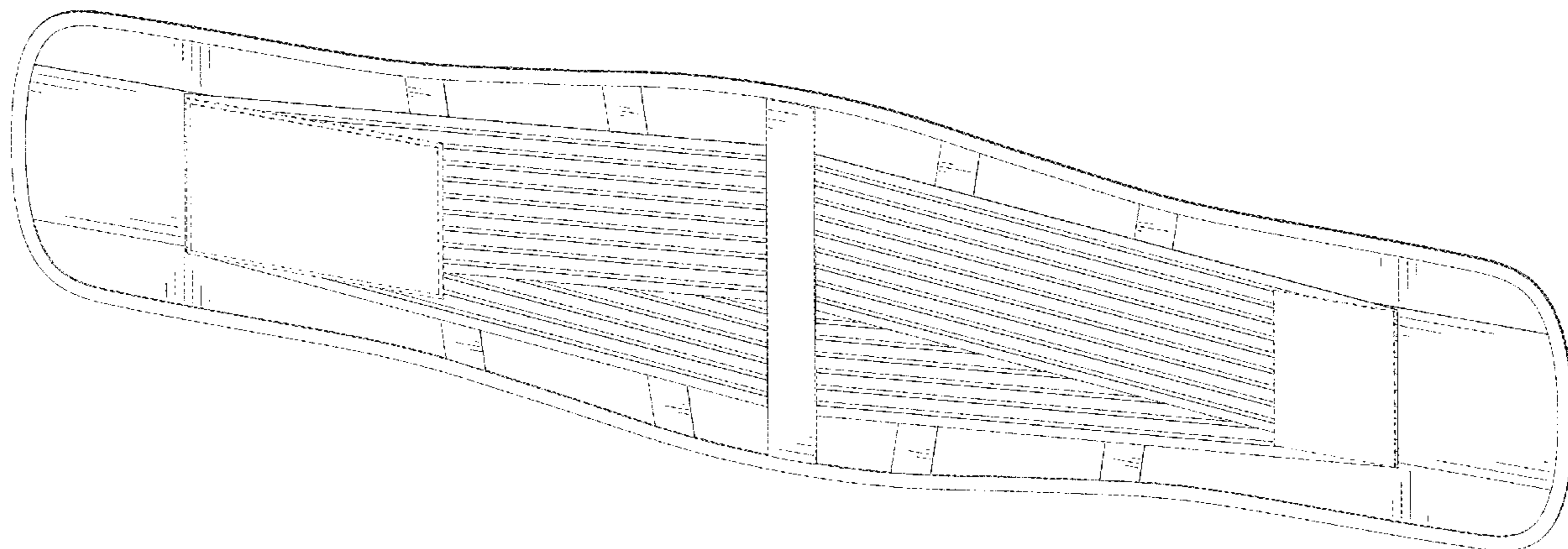
(57) **CLAIM**

The ornamental design for a waist belt, as shown and described.

**DESCRIPTION**

FIG. 1 is a perspective view of a waist belt showing my new design;  
 FIG. 2 is another perspective view thereof;  
 FIG. 3 is a front elevational view thereof;  
 FIG. 4 is a rear elevational view thereof;  
 FIG. 5 is a left side elevational view thereof;  
 FIG. 6 is a right side elevational view thereof;  
 FIG. 7 is a top plan view thereof;  
 FIG. 8 is a bottom plan view thereof; and,  
 FIG. 9 is a perspective view of the waist belt where the waist belt is in a configuration of use.  
 The broken lines in the drawings depict portions of the waist belt that form no part of the claimed design. The broken lines in FIG. 9 showing a human form depict environment and form no part of the claim.

**1 Claim, 9 Drawing Sheets**



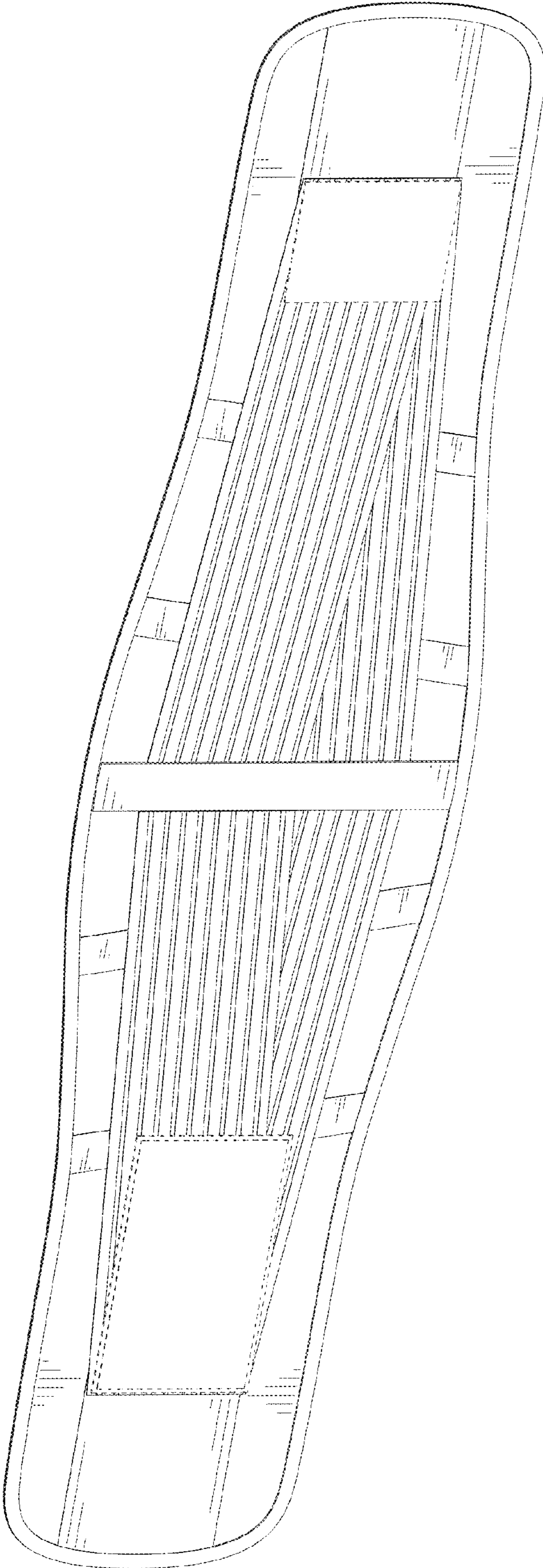


FIG. 1

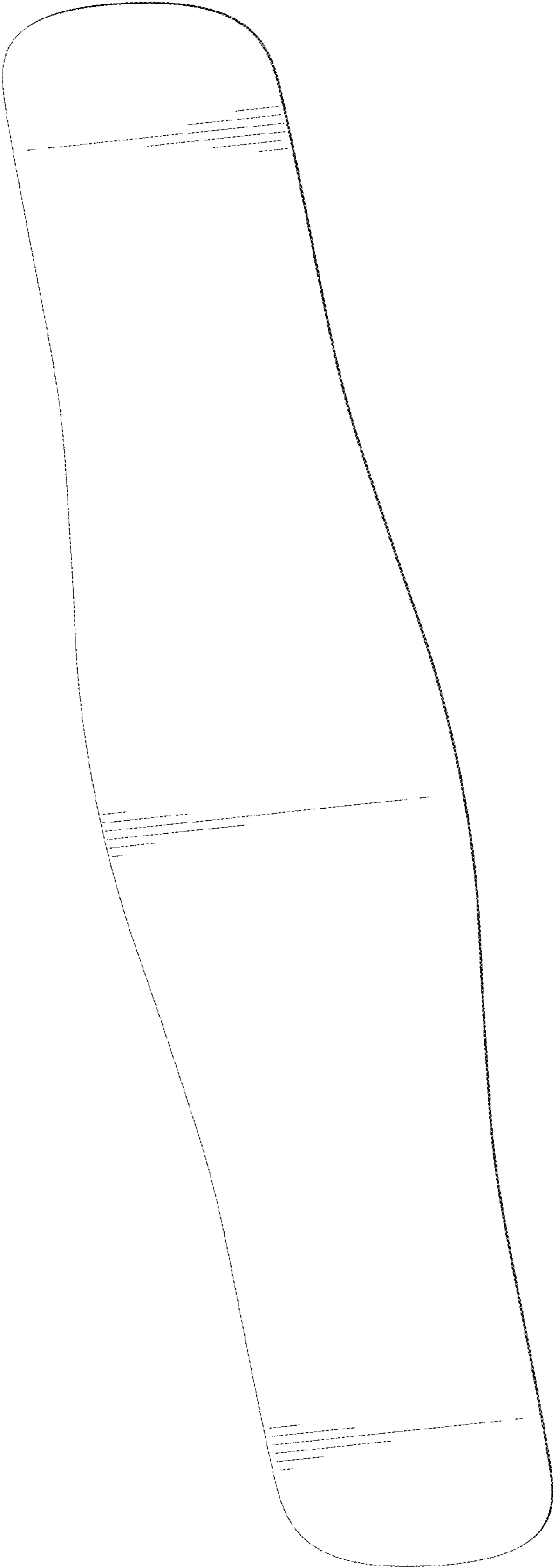


FIG. 2

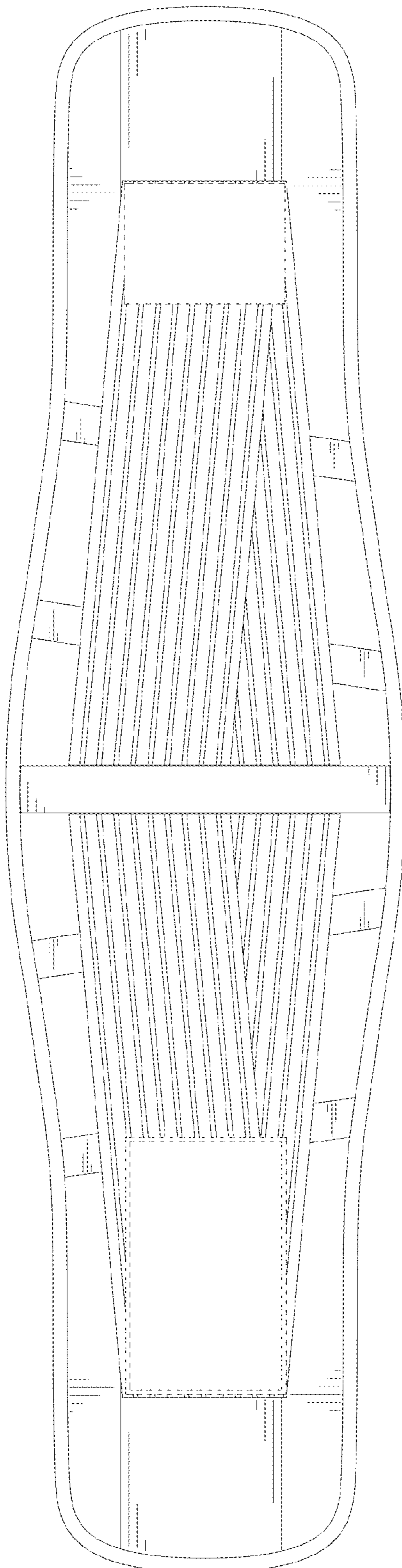


FIG. 3

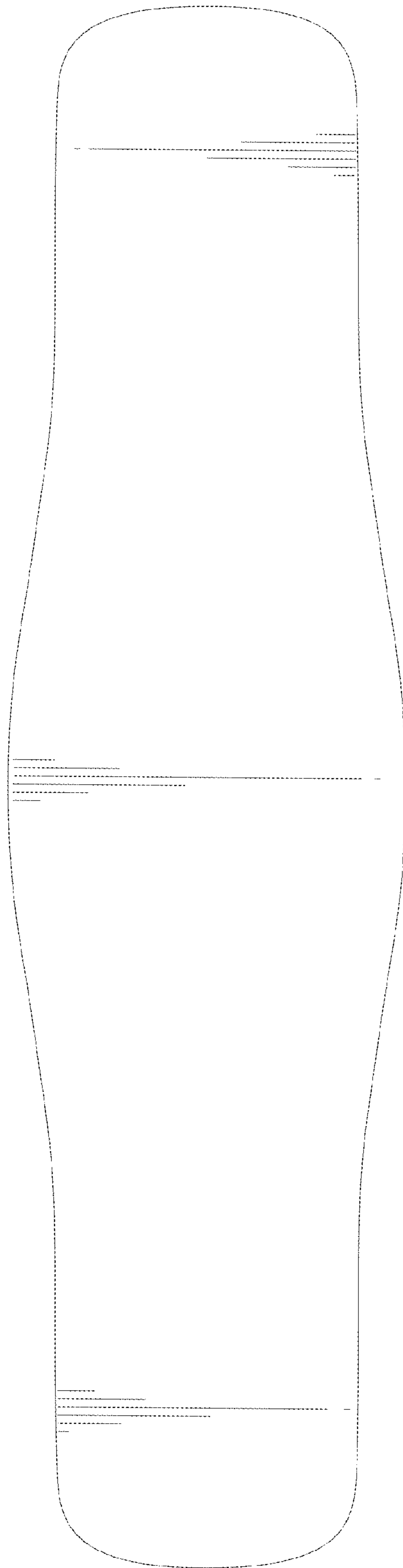


FIG. 4

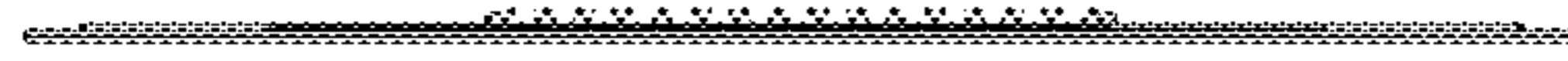


FIG. 5



FIG. 6



FIG. 7



FIG. 8

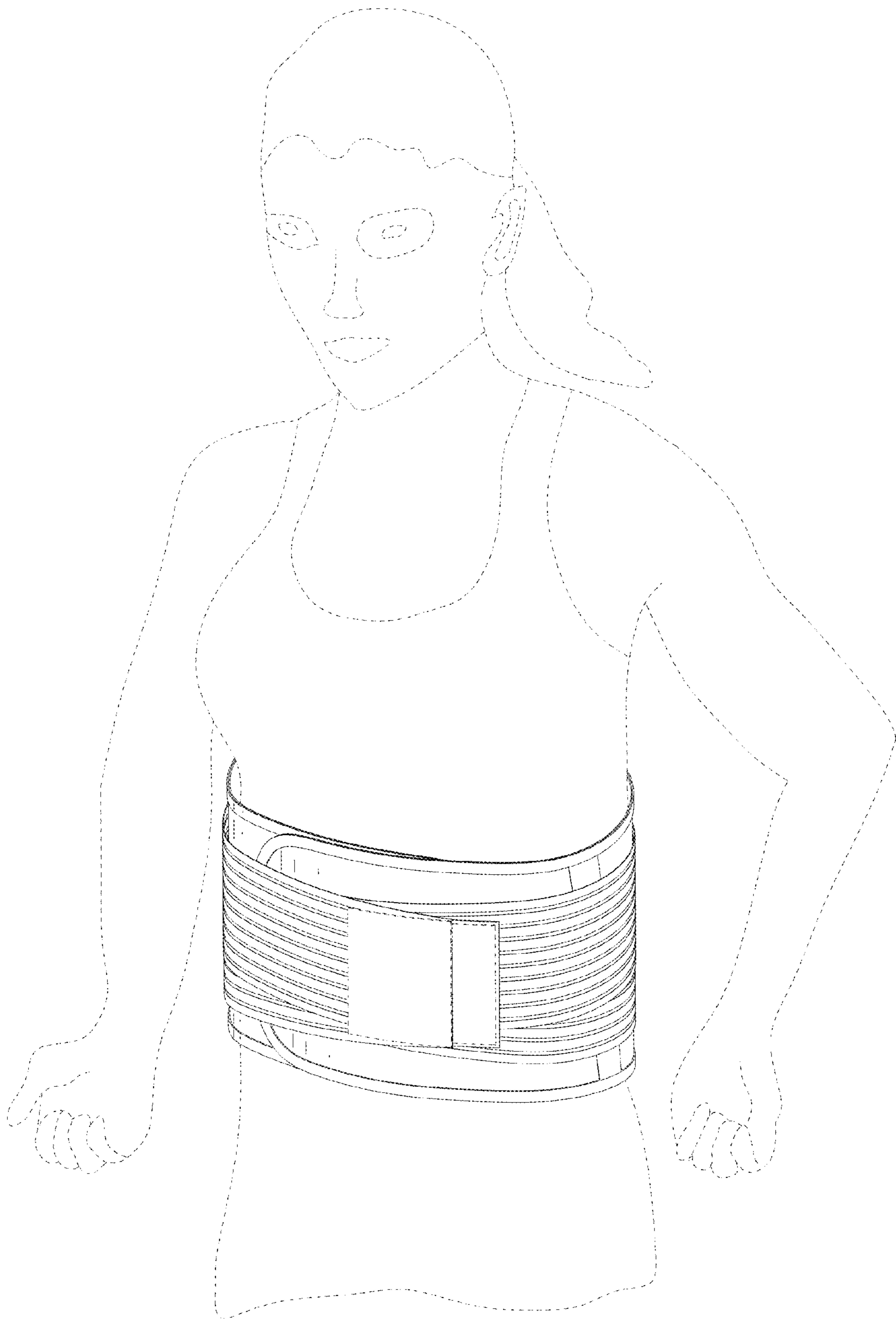


FIG. 9