



US00D920520S

(12) **United States Design Patent** (10) **Patent No.:** **US D920,520 S**  
**Frey et al.** (45) **Date of Patent:** **\*\* May 25, 2021**

(54) **BODY SCANNER**

(71) Applicant: **GoForward, Inc.**, San Francisco, CA (US)

(72) Inventors: **Erik Frey**, San Francisco, CA (US);  
**Adrian Aoun**, San Francisco, CA (US);  
**Robert Kane Sebastian**, San Francisco, CA (US);  
**Ilya Abyzov**, San Francisco, CA (US)

(73) Assignee: **GoForward, Inc.**, San Francisco, CA (US)

(\*\*) Term: **15 Years**

(21) Appl. No.: **29/709,863**

(22) Filed: **Oct. 17, 2019**

**Related U.S. Application Data**

(62) Division of application No. 29/632,543, filed on Jan. 8, 2018, now Pat. No. Des. 868,259.

(51) **LOC (13) Cl.** ..... **24-01**

(52) **U.S. Cl.**  
USPC ..... **D24/186**

(58) **Field of Classification Search**  
USPC ..... D24/107, 158–161, 185, 186, 187, 231  
CPC .. A61B 6/03; A61B 6/035; A61B 5/05; A61B 5/055; G01N 2223/1013; G01N 2223/1016; A61N 2005/1054; A61N 2005/1055; A61N 2005/1074  
See application file for complete search history.

(56) **References Cited**

**U.S. PATENT DOCUMENTS**

D394,316 S 5/1998 Kodama et al.  
D533,555 S 12/2006 Odhe et al.  
D659,249 S 5/2012 Ogura

D700,607 S 3/2014 Cederstrom  
D702,237 S 4/2014 Oberpriller et al.  
D737,452 S 8/2015 Park  
D740,945 S 10/2015 Booth et al.  
D804,670 S 12/2017 Zhao et al.  
D836,112 S 12/2018 McDermott et al.  
D868,259 S \* 11/2019 Frey ..... D24/158  
D889,467 S \* 7/2020 Fook ..... D14/420  
2019/0083814 A1\* 3/2019 Tallinen ..... A61N 5/1031

**OTHER PUBLICATIONS**

Buhr, S., “Forward, a \$149 Per Month Medical Startup, Aims to be the Apple Store of Doctor’s Offices,” Tech Crunch, Jan. 17, 2017, 11 pages, [Online] [Retrieved on Jan. 5, 2018] Retrieved from the Internet<URL:https://techcrunch.com/2017/01/17/anappleaday/>. United States Office Action, U.S. Appl. No. 29/632,543, dated Jul. 17, 2019, seven pages.

\* cited by examiner

*Primary Examiner* — Anhdao Doan

(74) *Attorney, Agent, or Firm* — Fenwick & West LLP

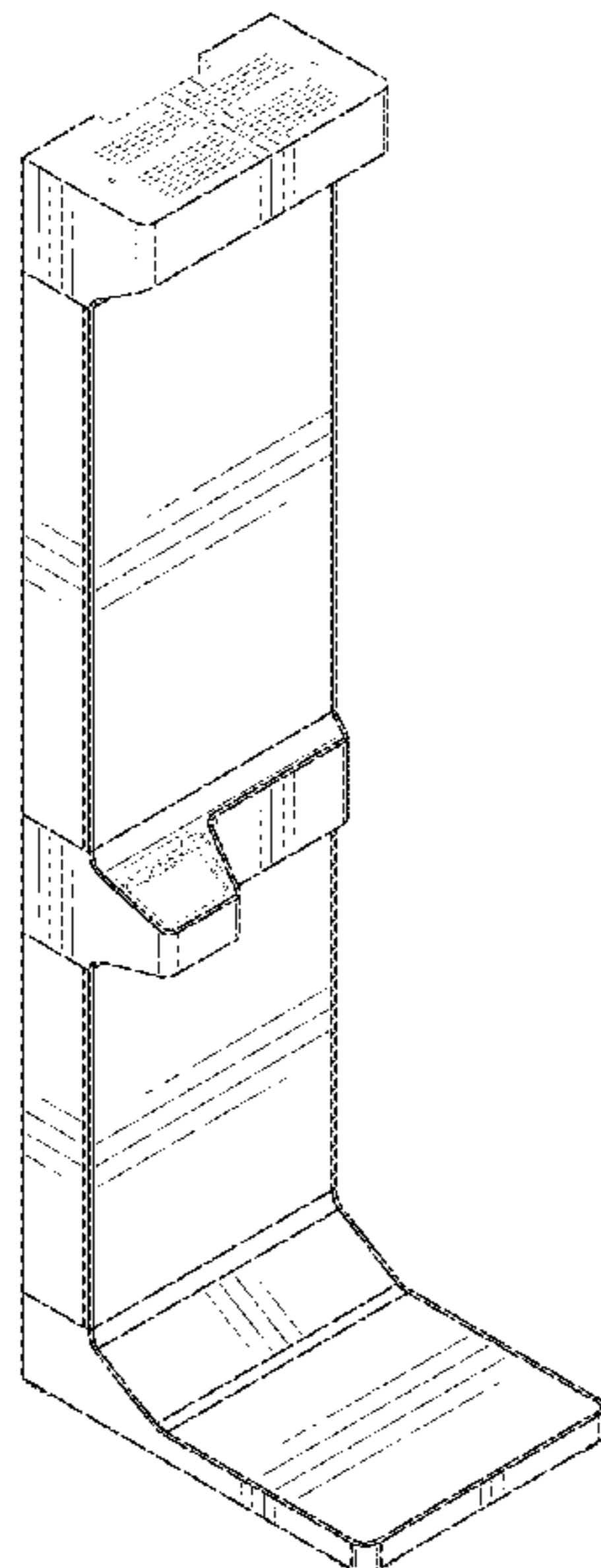
(57) **CLAIM**

The ornamental design for a body scanner, as shown and described.

**DESCRIPTION**

FIG. 1 is a front perspective view of a body scanner; FIG. 2 is a left view thereof; FIG. 3 is a top view thereof; FIG. 4 is a close-up perspective view of a portion thereof; and, FIG. 5 is another close-up perspective view of the portion thereof. Front, rear, right side, and bottom views of the body scanner are not shown and form no part of the claimed design. The broken lines in the drawings show portions of the body scanner that form no part of the claimed design.

**1 Claim, 5 Drawing Sheets**



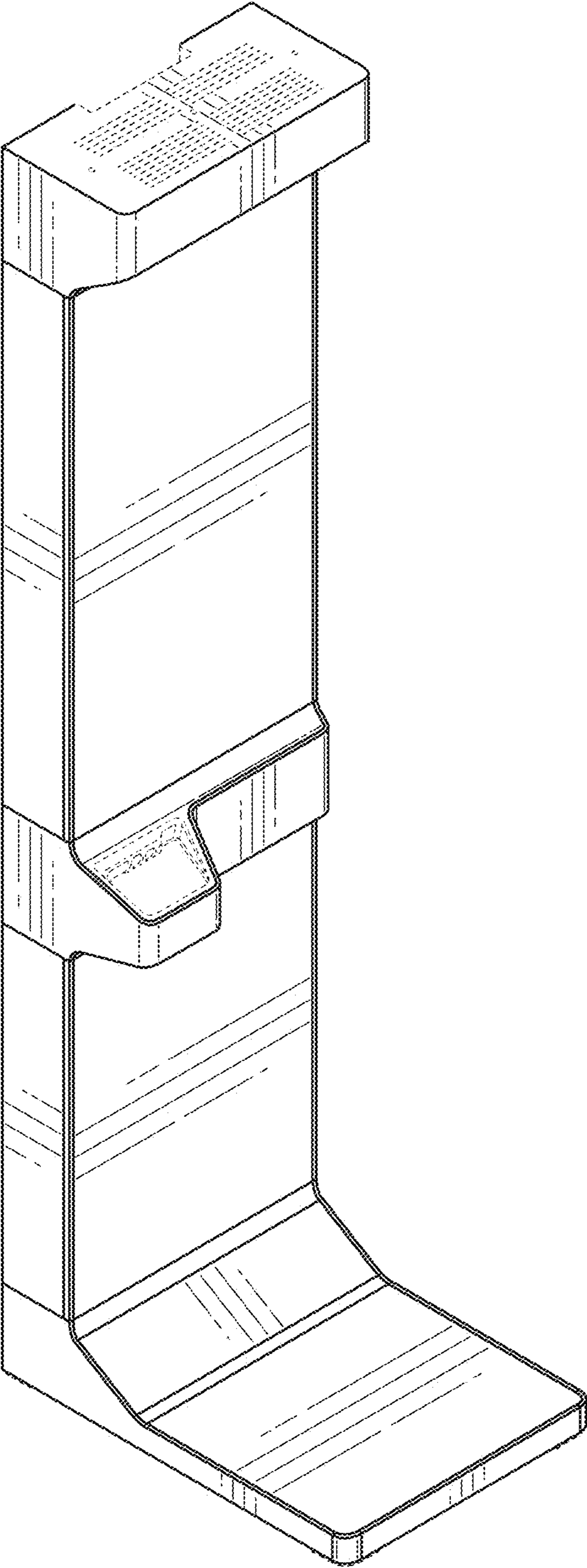


FIG. 1

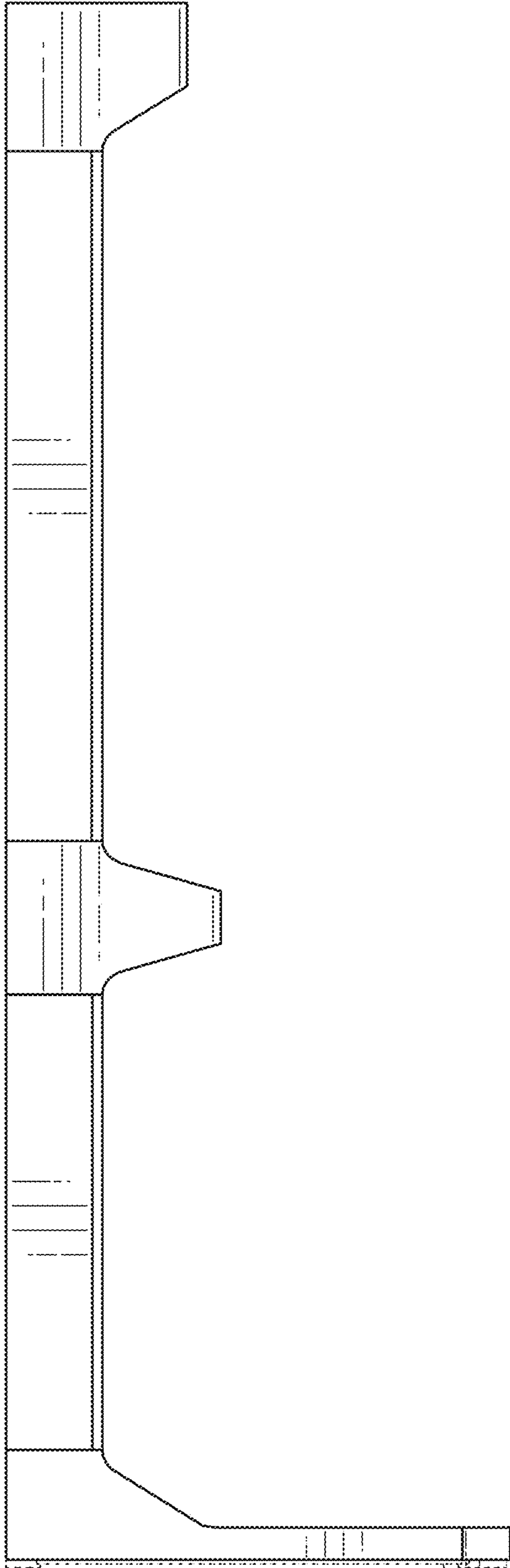


FIG. 2

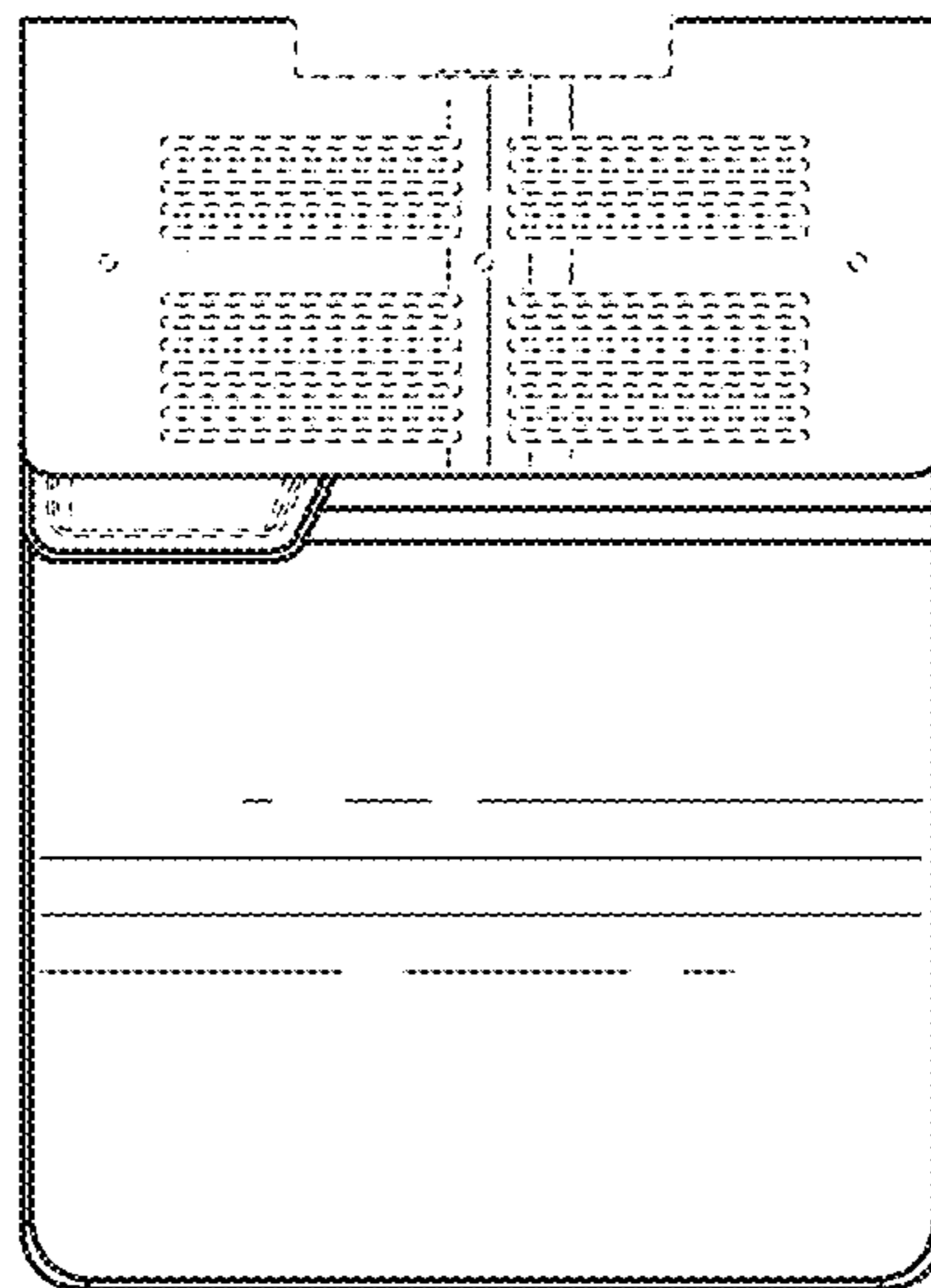


FIG. 3

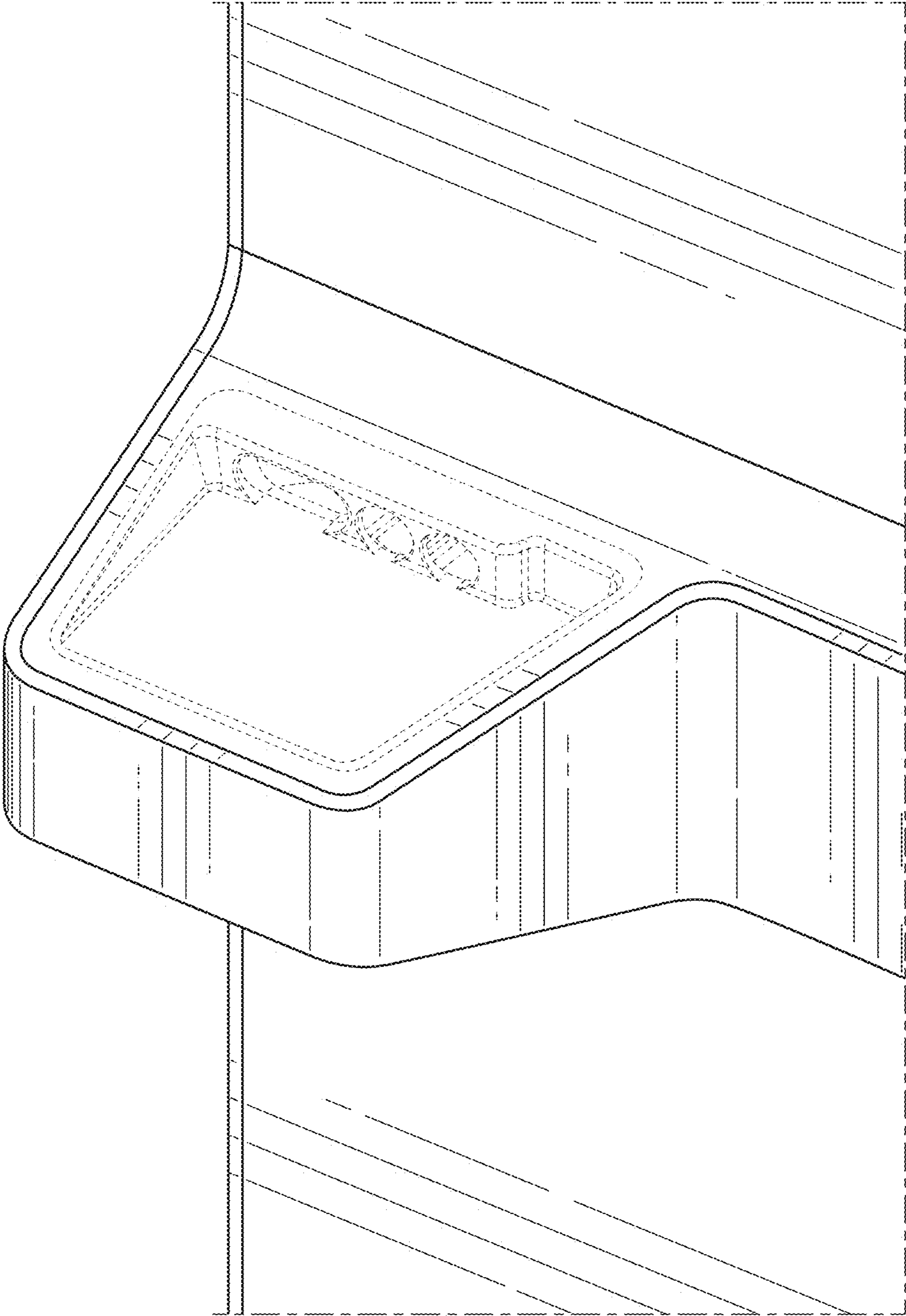


FIG. 4

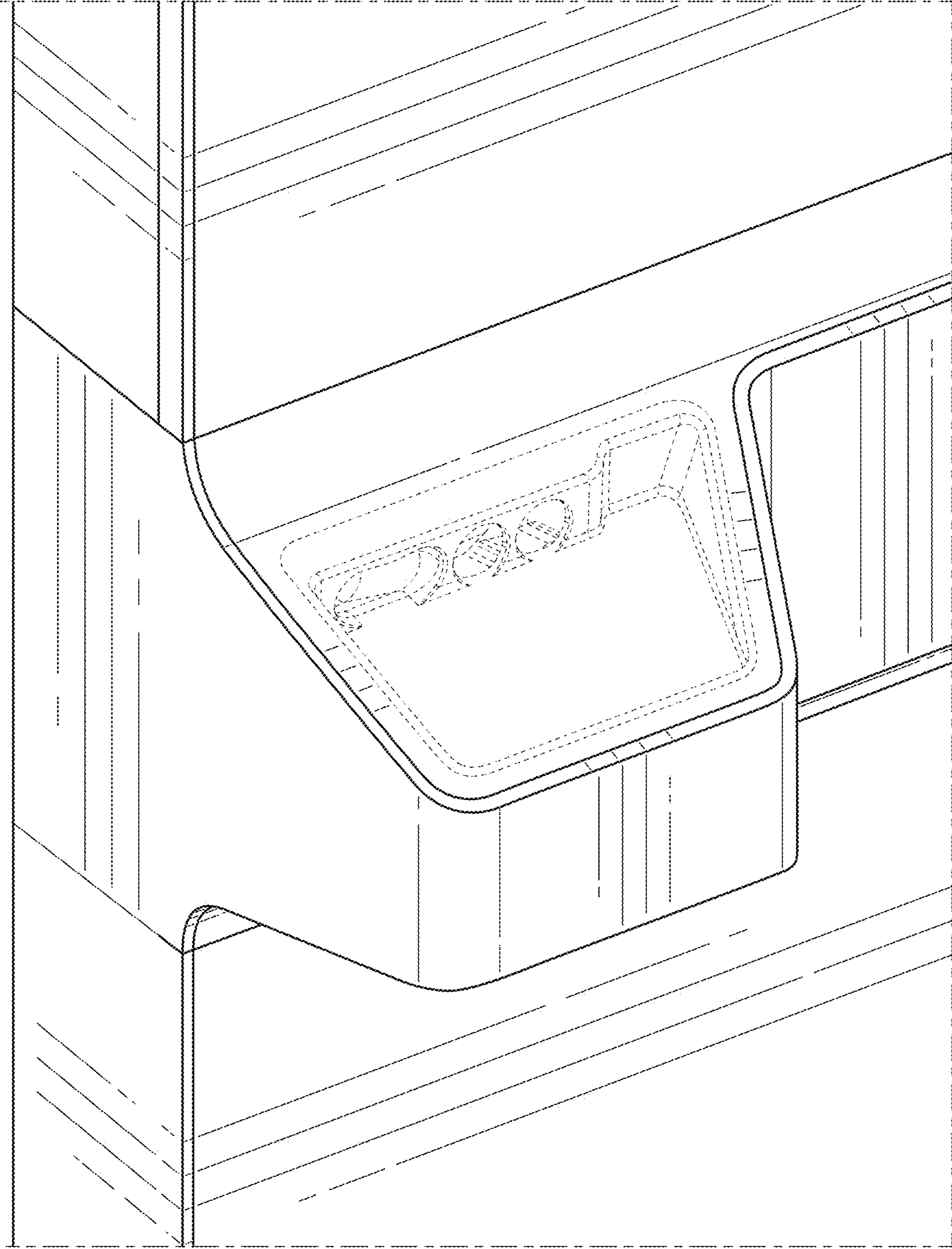


FIG. 5