

US00D920519S

(12) **United States Design Patent** (10) **Patent No.:** **US D920,519 S**
Schultz et al. (45) **Date of Patent:** **** May 25, 2021**

(54) **MEDICAL INSTRUMENT FOR EYE SURGICAL PURPOSES**

(71) Applicant: **Oertli-Instrumente AG**, Berneck (CH)

(72) Inventors: **Sandro Schultz**, Berneck (CH); **Lothar Knünz**, Rankweil (AT); **Bettina Schuler**, Näfels (CH)

(73) Assignee: **OERTLI-INSTRUMENTE AG**, Berneck (CH)

(**) Term: **15 Years**

(21) Appl. No.: **35/508,285**

(22) Filed: **Jun. 28, 2019**

(80) **Hague Agreement Data**

Int. Filing Date: **Jun. 28, 2019**

Int. Reg. No.: **DM/204067**

Int. Reg. Date: **Jun. 28, 2019**

Int. Reg. Pub. Date: **Jan. 3, 2020**

(51) **LOC (13) Cl.** **24-02**

(52) **U.S. Cl.**
USPC **D24/172**

(58) **Field of Classification Search**
USPC D24/121, 141, 172, 224
CPC .. A61F 9/00736; A61F 9/0017; A61M 5/2053
See application file for complete search history.

(56) **References Cited**

U.S. PATENT DOCUMENTS

D267,536 S * 1/1983 Findlay D7/318
D302,722 S * 8/1989 Baxter D24/224
D304,973 S * 12/1989 Baxter D24/224
D307,052 S * 4/1990 Baxter D24/224
D309,241 S * 7/1990 Ayyoubi D23/200
D310,172 S * 8/1990 Parker D7/700
D320,452 S * 10/1991 Carchidi A61F 2/1664
D24/172

D323,212 S * 1/1992 Crawford D24/121
D350,143 S * 8/1994 Zimmerman D15/150
D352,428 S * 11/1994 Waldmyer D15/150
D559,397 S * 1/2008 Eriksson D24/224
D560,106 S * 1/2008 Curtin D7/700
D608,013 S * 1/2010 Coulling D24/224
D746,452 S * 12/2015 Petrova D24/141
D770,315 S * 11/2016 Katsumoto D10/81
D832,438 S * 10/2018 Brockway D24/141
D841,808 S * 2/2019 Drach D24/141
D894,386 S * 8/2020 LeClerc D24/141
2003/0216695 A1 * 11/2003 Yang A61M 5/2053
604/200
2004/0122367 A1 * 6/2004 Sculati A61F 9/0017
604/140
2009/0024136 A1 * 1/2009 Martin A61F 2/1664
606/107
2009/0118703 A1 * 5/2009 Orilla A61F 9/0017
604/521
2011/0245787 A1 10/2011 Zica

(Continued)

Primary Examiner — George D. Kirschbaum

Assistant Examiner — Calvin E Vansant

(74) *Attorney, Agent, or Firm* — Sughrue Mion, PLLC

(57) **CLAIM**

The ornamental design for a medical instrument for eye surgical purposes, as shown and described.

DESCRIPTION

5. Medical instrument for eye surgical purposes

5.1 : Perspective

5.2 : Front

5.3 : Back

5.4 : Right

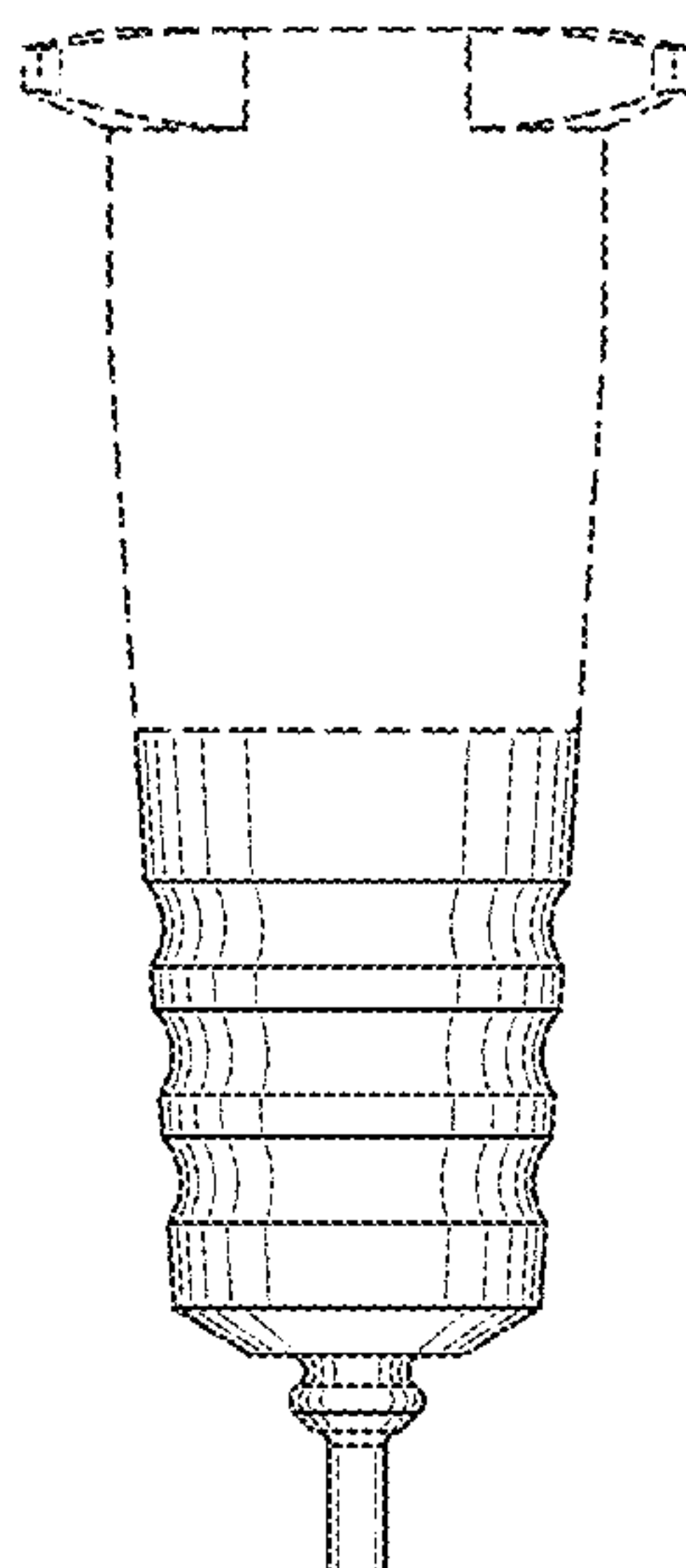
5.5 : Left

5.6 : Top

5.7 : Bottom

Features illustrated in broken lines do not form a part of the claimed design.

1 Claim, 7 Drawing Sheets



(56)

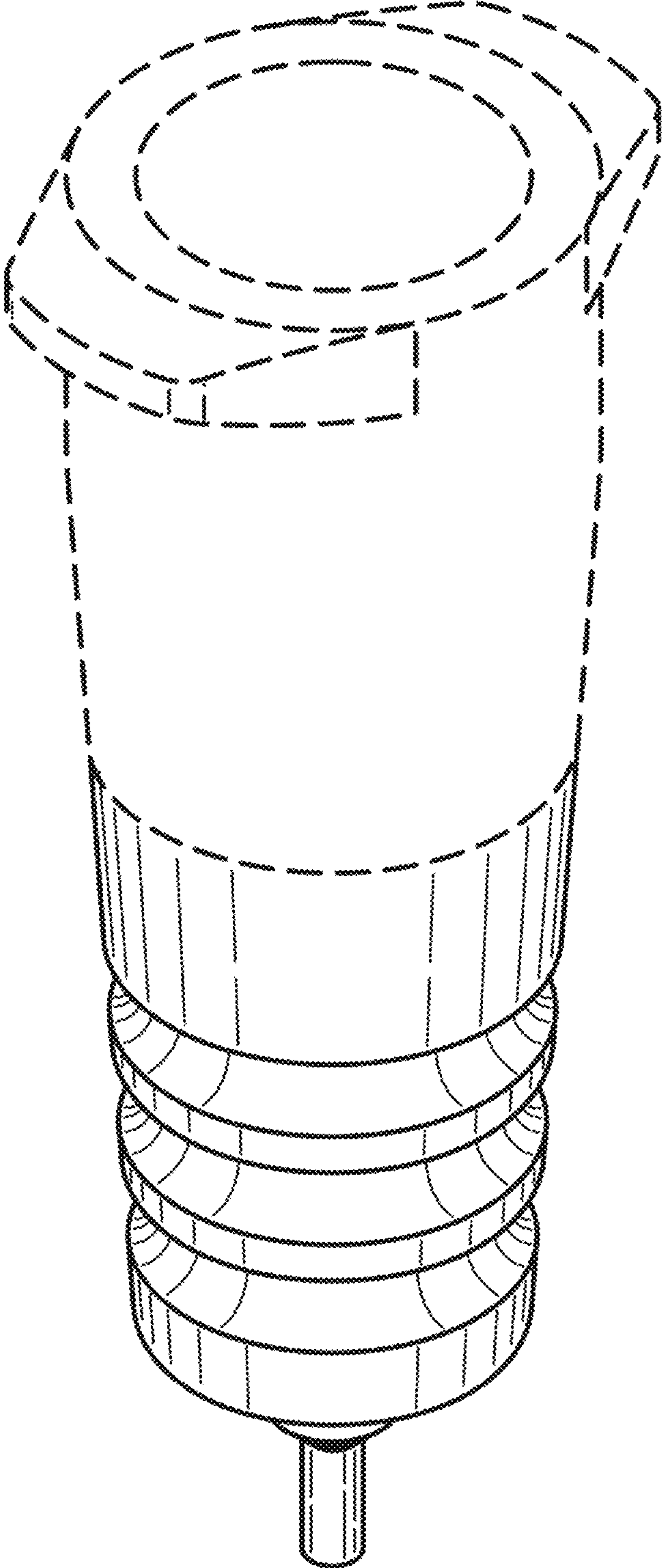
References Cited

U.S. PATENT DOCUMENTS

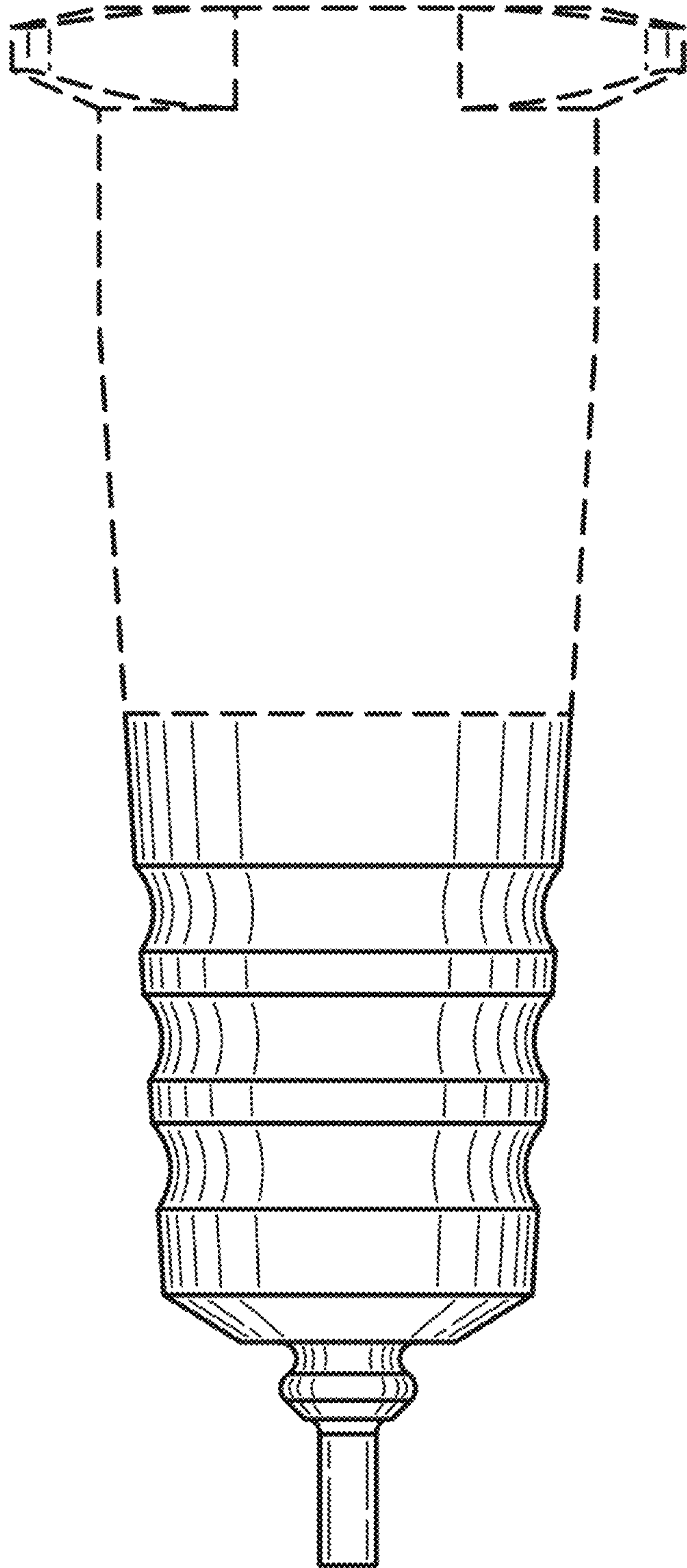
2013/0041394 A1* 2/2013 Ozinga A61F 9/00736
606/180
2013/0102967 A1* 4/2013 Hanlon A61B 17/3468
604/170.01
2015/0105734 A1* 4/2015 Bryant A61P 27/02
604/218
2017/0216092 A1* 8/2017 Singh A61F 9/00736
2018/0238745 A1* 8/2018 Nirkhe A61F 9/00736

* cited by examiner

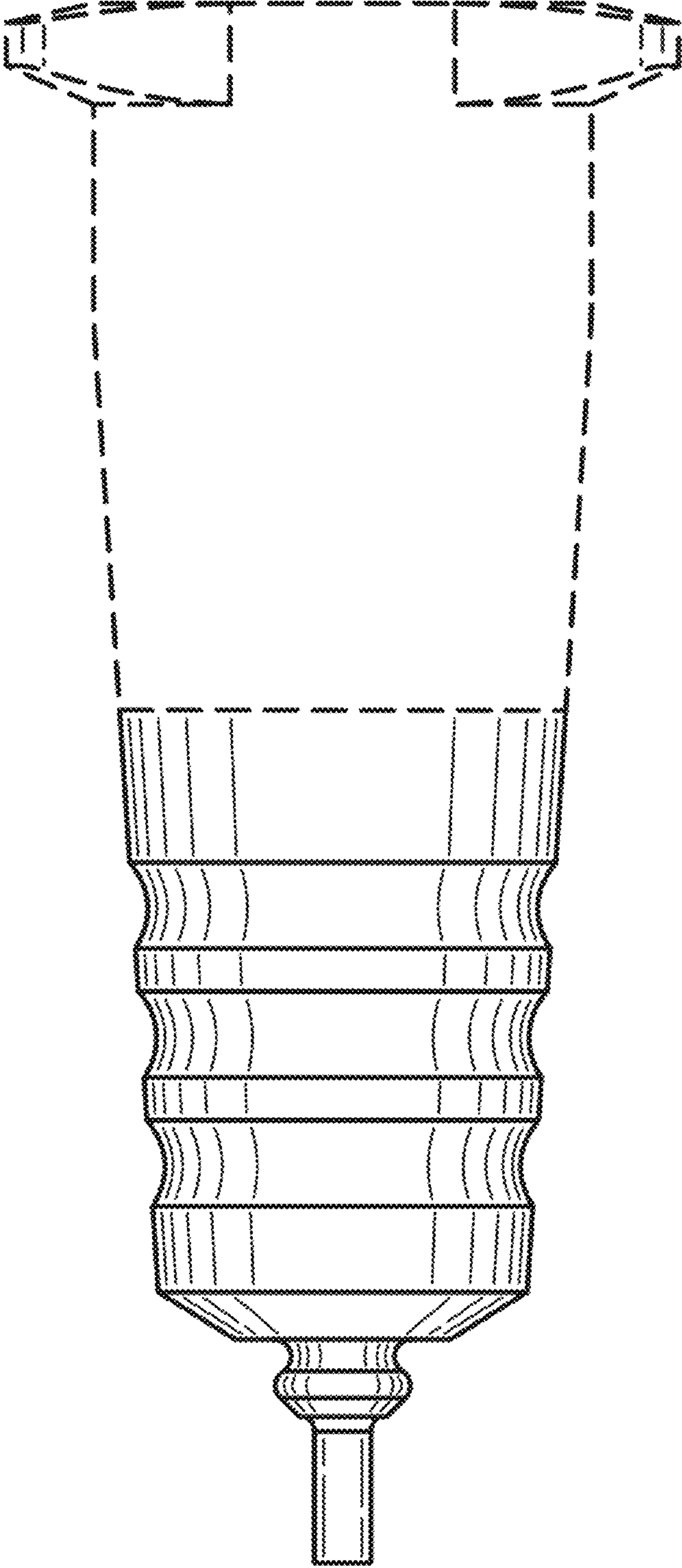
5.1



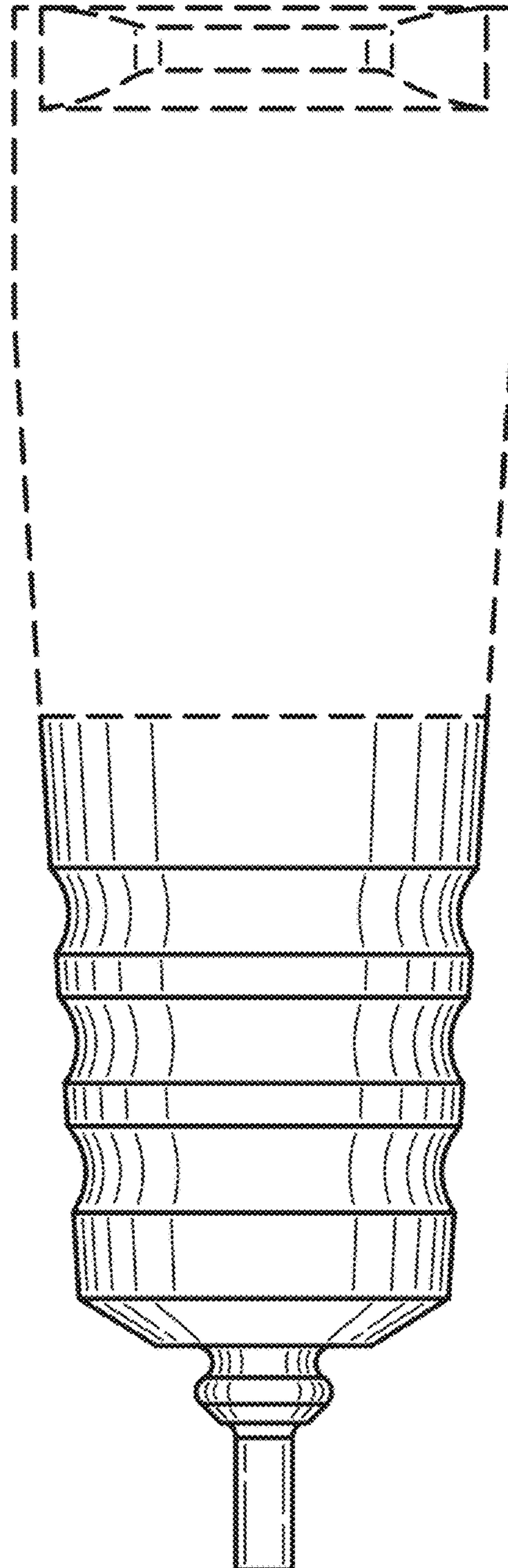
5.2



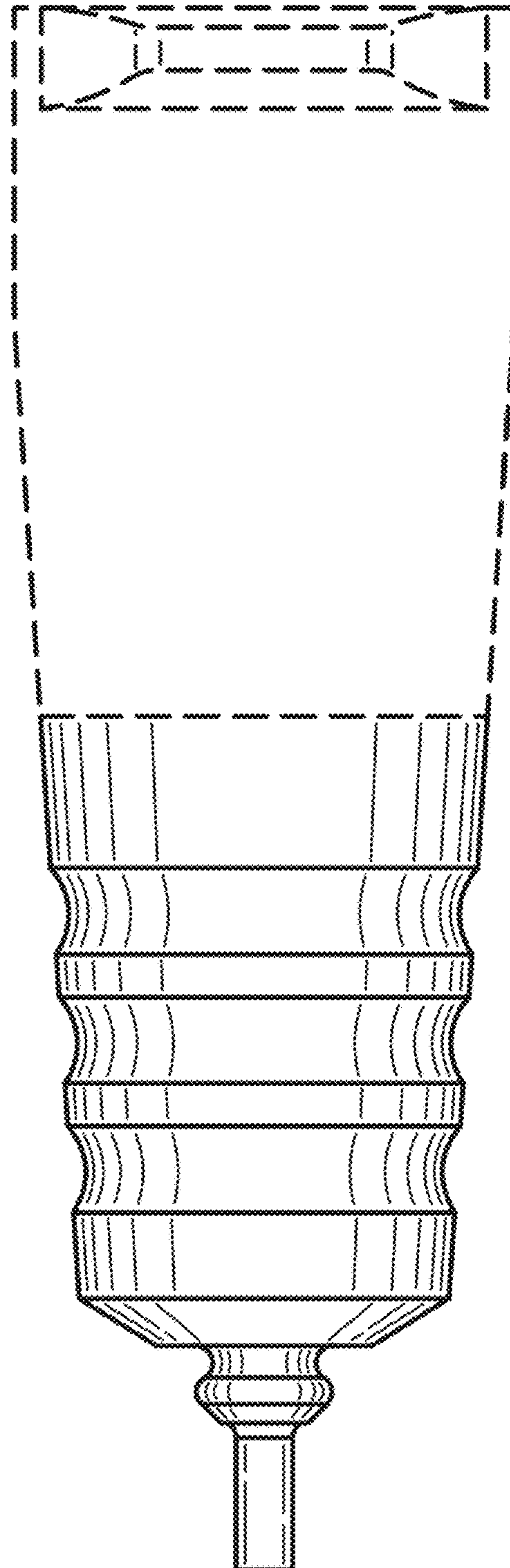
5.3



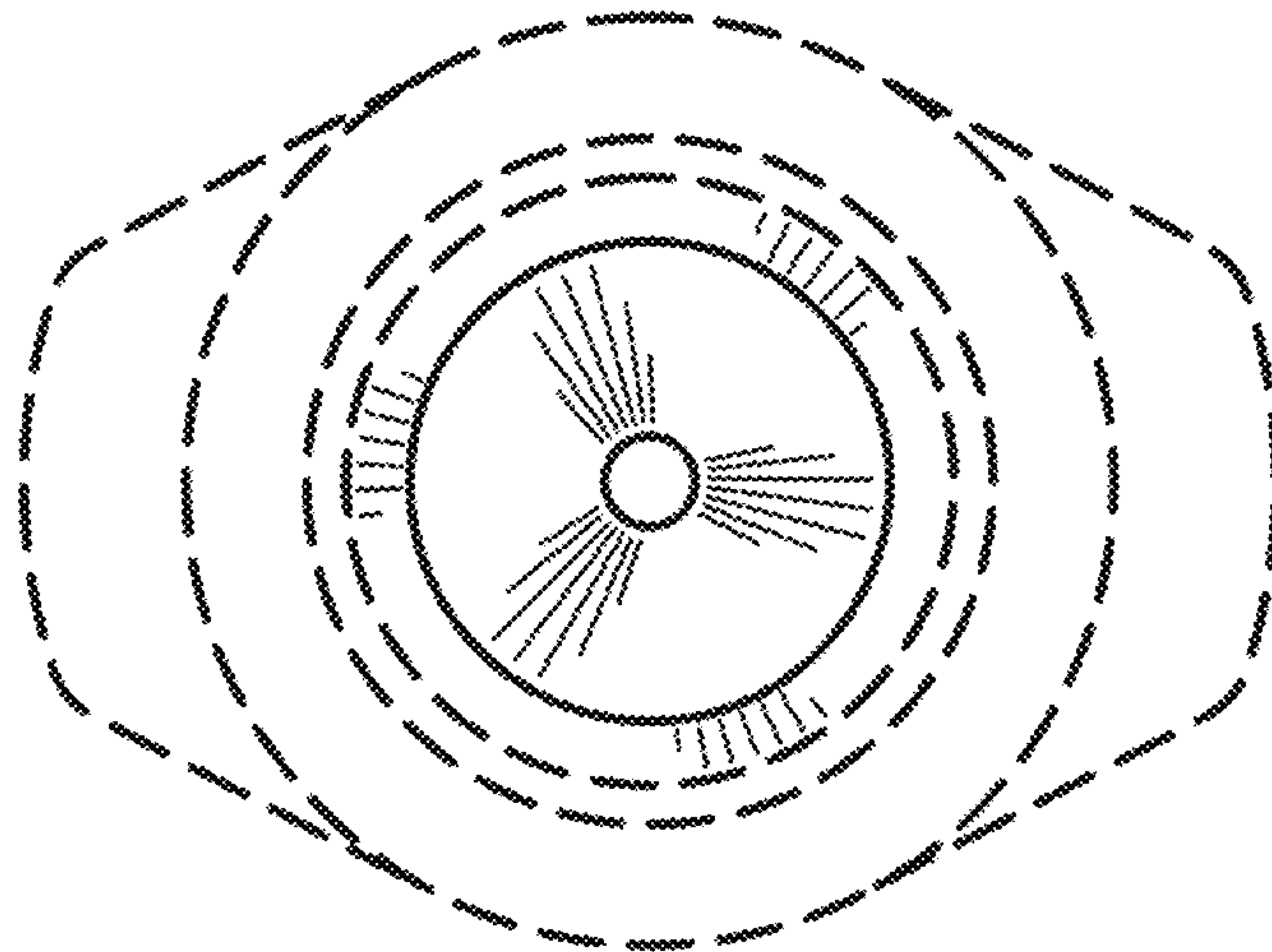
5.4



5.5



5.6



5.7

