



US00D920518S

(12) **United States Design Patent**
Takahashi

(10) **Patent No.:** **US D920,518 S**

(45) **Date of Patent:** **** May 25, 2021**

- (54) **X-RAY IRRADIATION APPARATUS**
- (71) Applicant: **FUJIFILM Corporation**, Tokyo (JP)
- (72) Inventor: **Keiichiro Takahashi**,
Ashigarakami-gun (JP)
- (73) Assignee: **FUJIFILM Corporation**, Tokyo (JP)
- (**) Term: **15 Years**
- (21) Appl. No.: **29/730,199**
- (22) Filed: **Apr. 2, 2020**

Related U.S. Application Data

- (62) Division of application No. 29/665,289, filed on Oct. 2, 2018, now Pat. No. Des. 884,183.

(30) **Foreign Application Priority Data**

- Apr. 3, 2018 (JP) 2018-007337
- Apr. 3, 2018 (JP) 2018-007338
- Apr. 3, 2018 (JP) 2018-007339

- (51) **LOC (13) Cl.** **24-01**
- (52) **U.S. Cl.**
USPC **D24/158**

- (58) **Field of Classification Search**
USPC D24/107, 158–161, 185, 186, 231;
D16/200, 202, 206, 208, 219
CPC A61B 6/08; A61B 6/4405; A61B 6/4411;
A61B 6/467; A61B 6/542; H01J 35/02;
H05G 1/06; G21K 1/04

See application file for complete search history.

(56) **References Cited**

U.S. PATENT DOCUMENTS

D525,638 S	7/2006	Nakamura	
D614,771 S *	4/2010	Stead	D24/158
D671,217 S	11/2012	Moon	
D676,554 S *	2/2013	Moon	D24/158
D681,814 S	5/2013	Nenoki	
D702,351 S	4/2014	Li	
D703,322 S	4/2014	Hayman	
D720,855 S *	1/2015	Sul	D24/158
D745,165 S	12/2015	McGinley	
10,340,053 B2	7/2019	Kawahara	
D884,183 S *	5/2020	Takahashi	D24/158
D885,579 S *	5/2020	Takahashi	D24/158
D897,534 S *	9/2020	Hofmann	D24/158
2007/0211153 A1 *	9/2007	Uchida	H04N 5/772 348/231.99
2016/0287194 A1	10/2016	Nariyuki	

* cited by examiner

Primary Examiner — Anhdao Doan

(74) *Attorney, Agent, or Firm* — Sughrue Mion, PLLC

(57) **CLAIM**

The ornamental design for an X-ray irradiation apparatus, as shown and described.

DESCRIPTION

FIG. 1 is a top, front and left side perspective view of an x-ray irradiation apparatus showing my new design;
 FIG. 2 is a top, rear and right side perspective view thereof;
 FIG. 3 is a front elevational view thereof;
 FIG. 4 is a rear elevational view thereof;
 FIG. 5 is a top plan view thereof;
 FIG. 6 is a bottom plan view thereof;
 FIG. 7 is a left side elevational view thereof; and,
 FIG. 8 is a right side elevational view thereof.

1 Claim, 8 Drawing Sheets

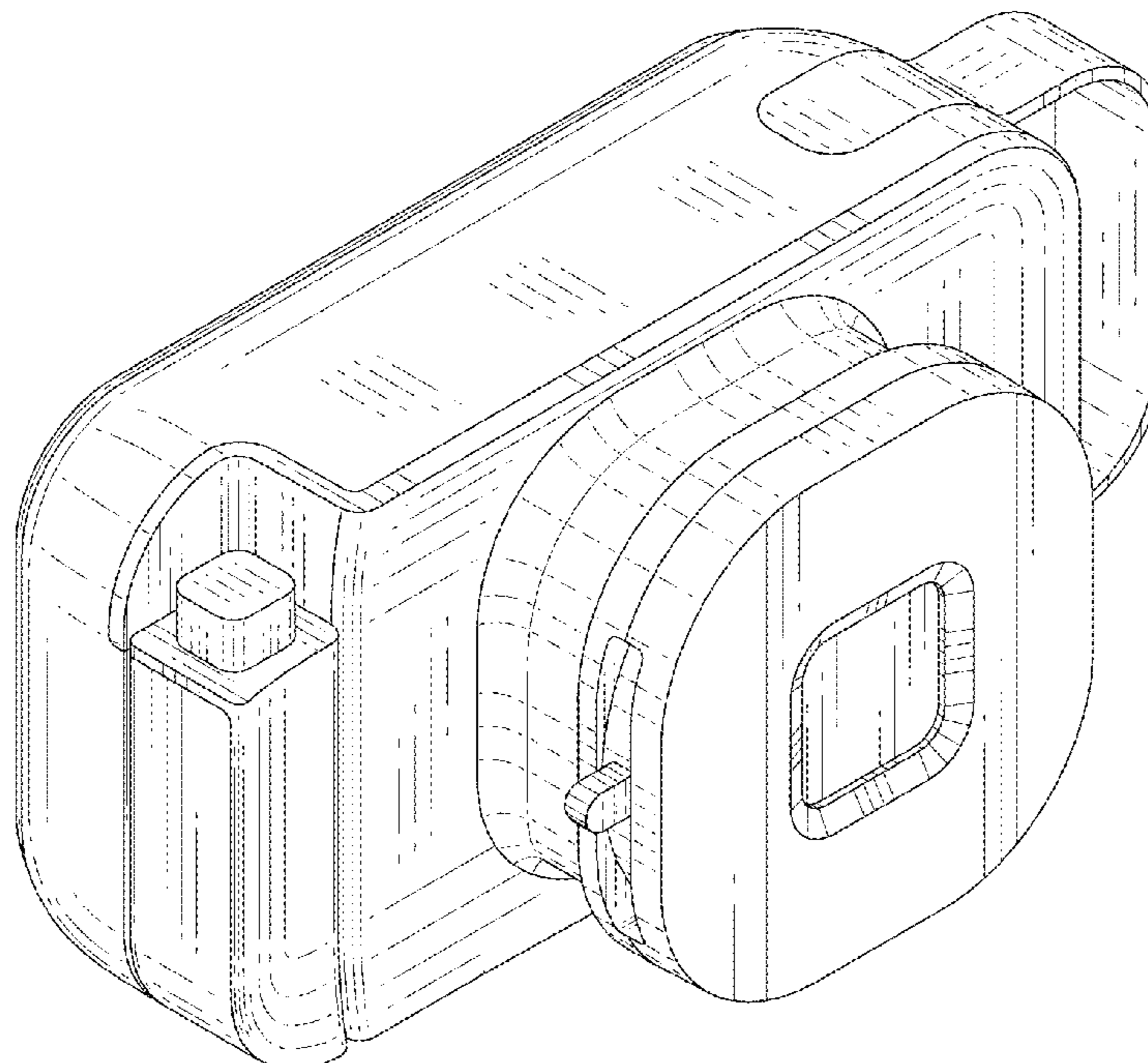


FIG. 1

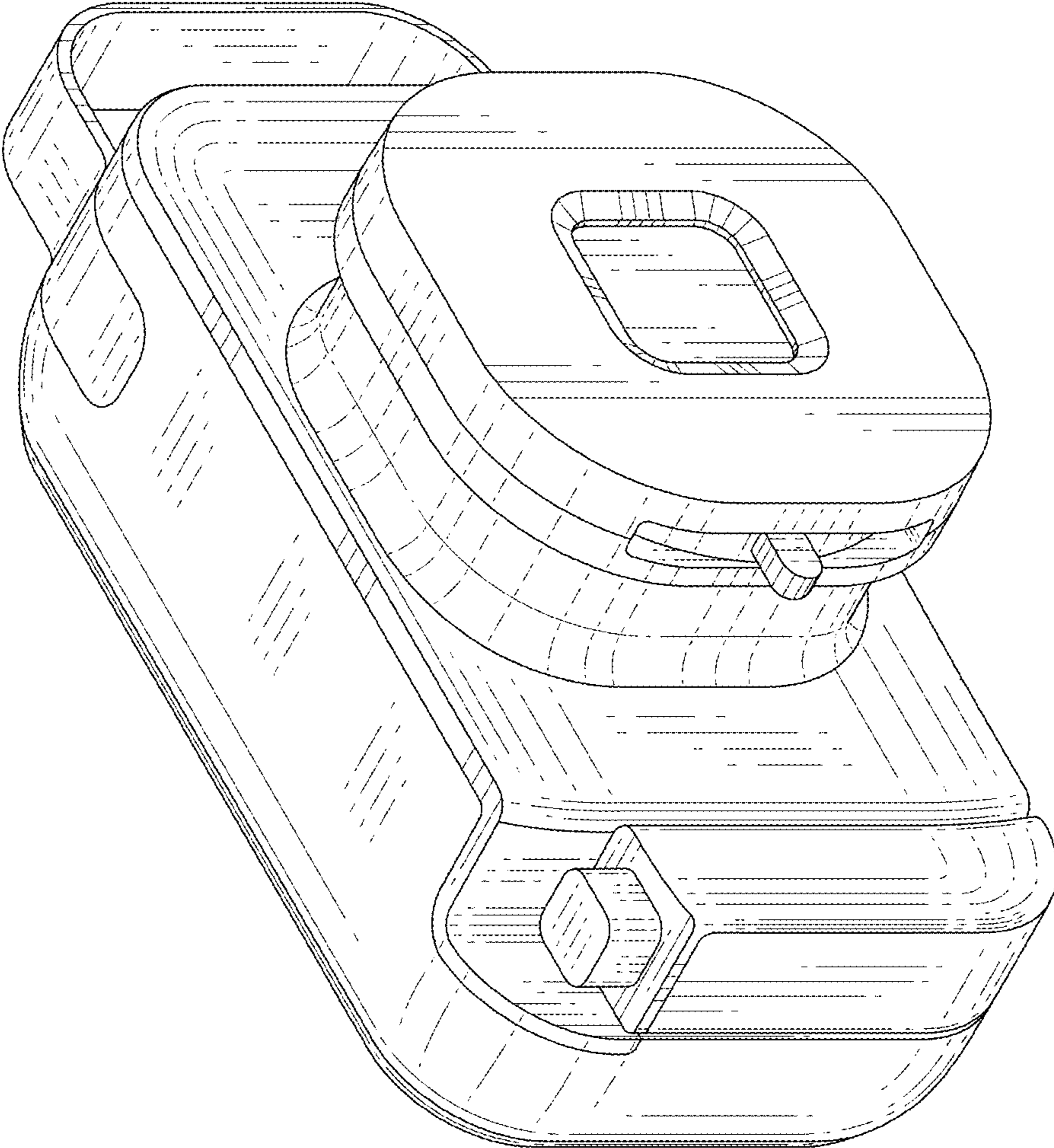


FIG.2

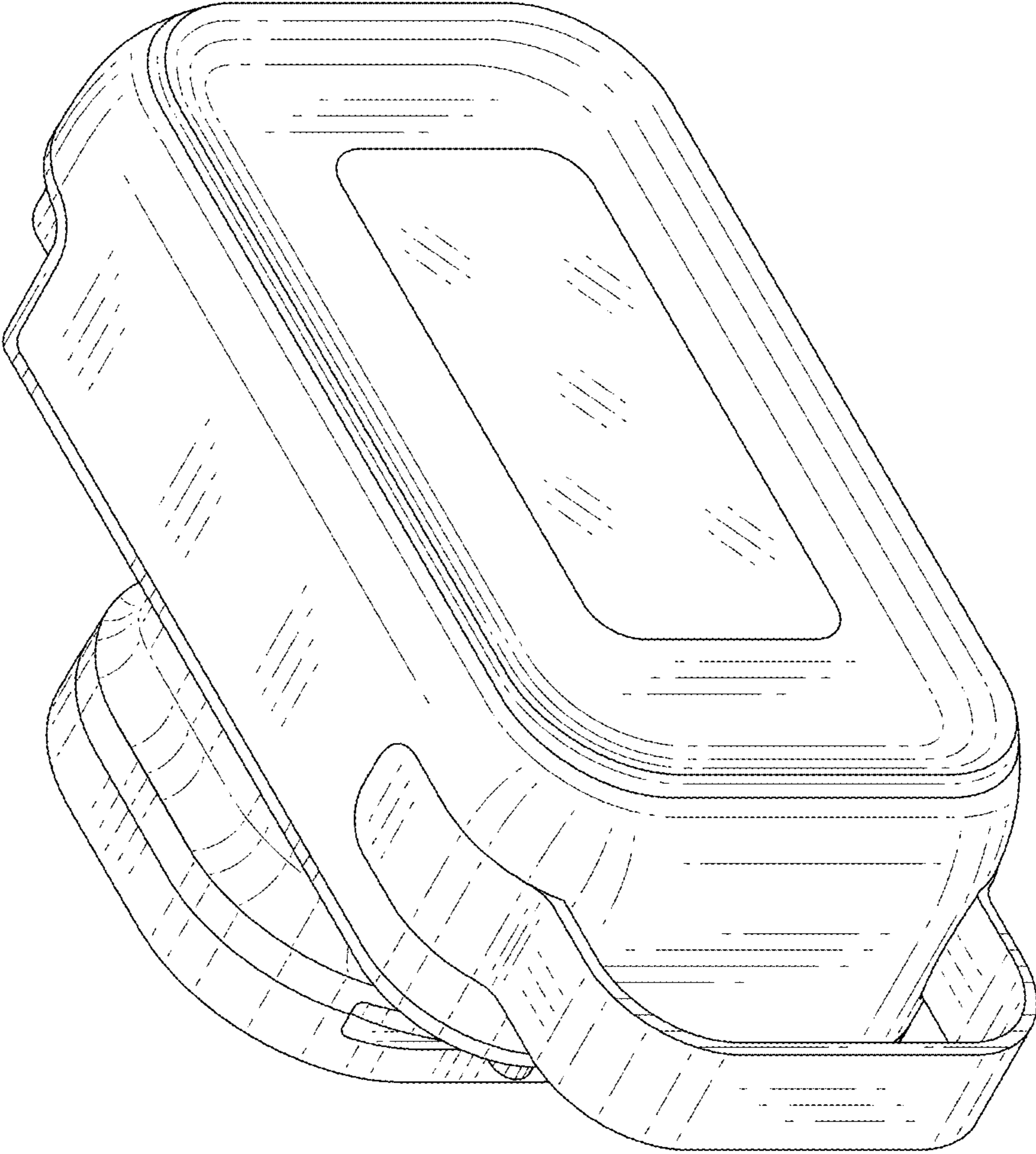


FIG.3

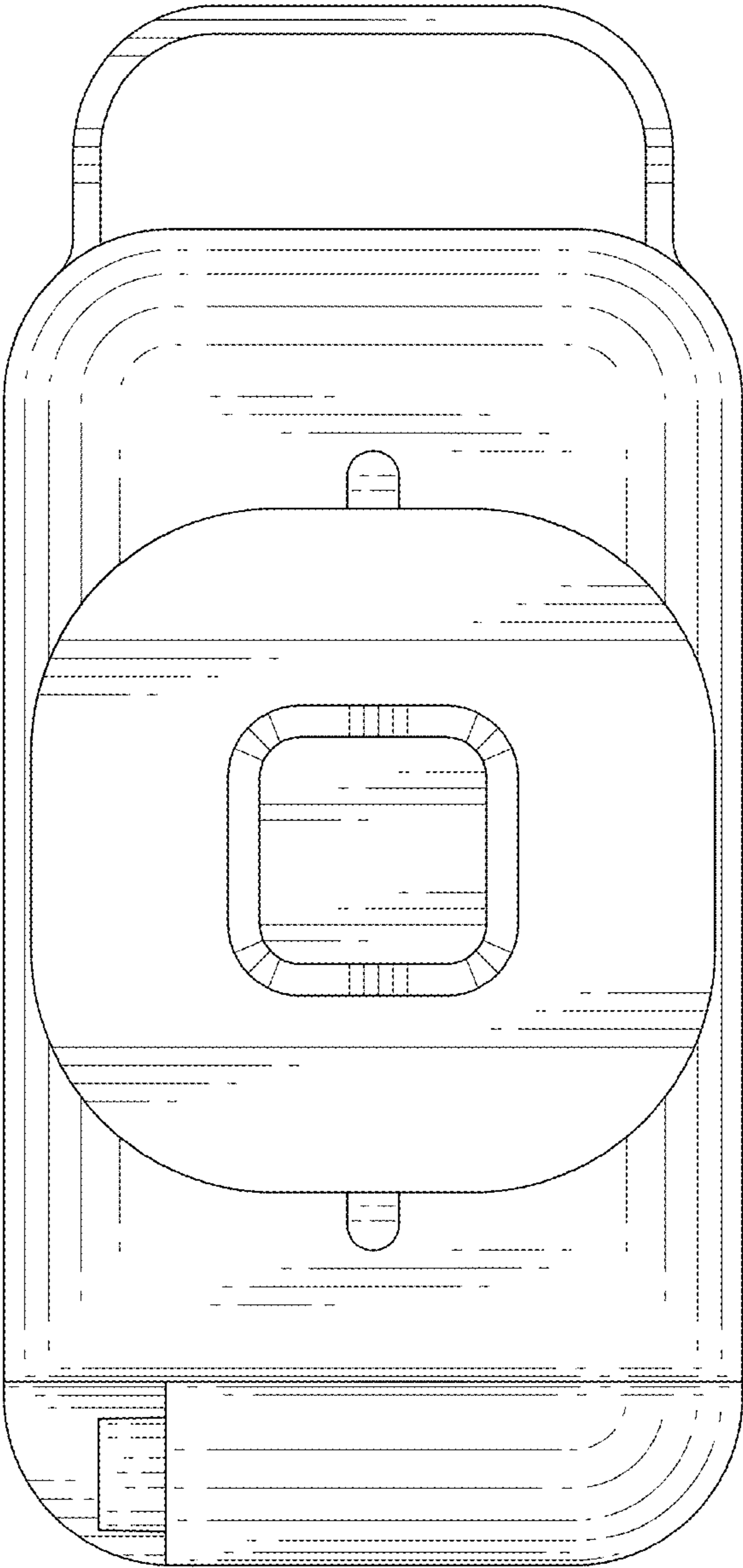


FIG. 4

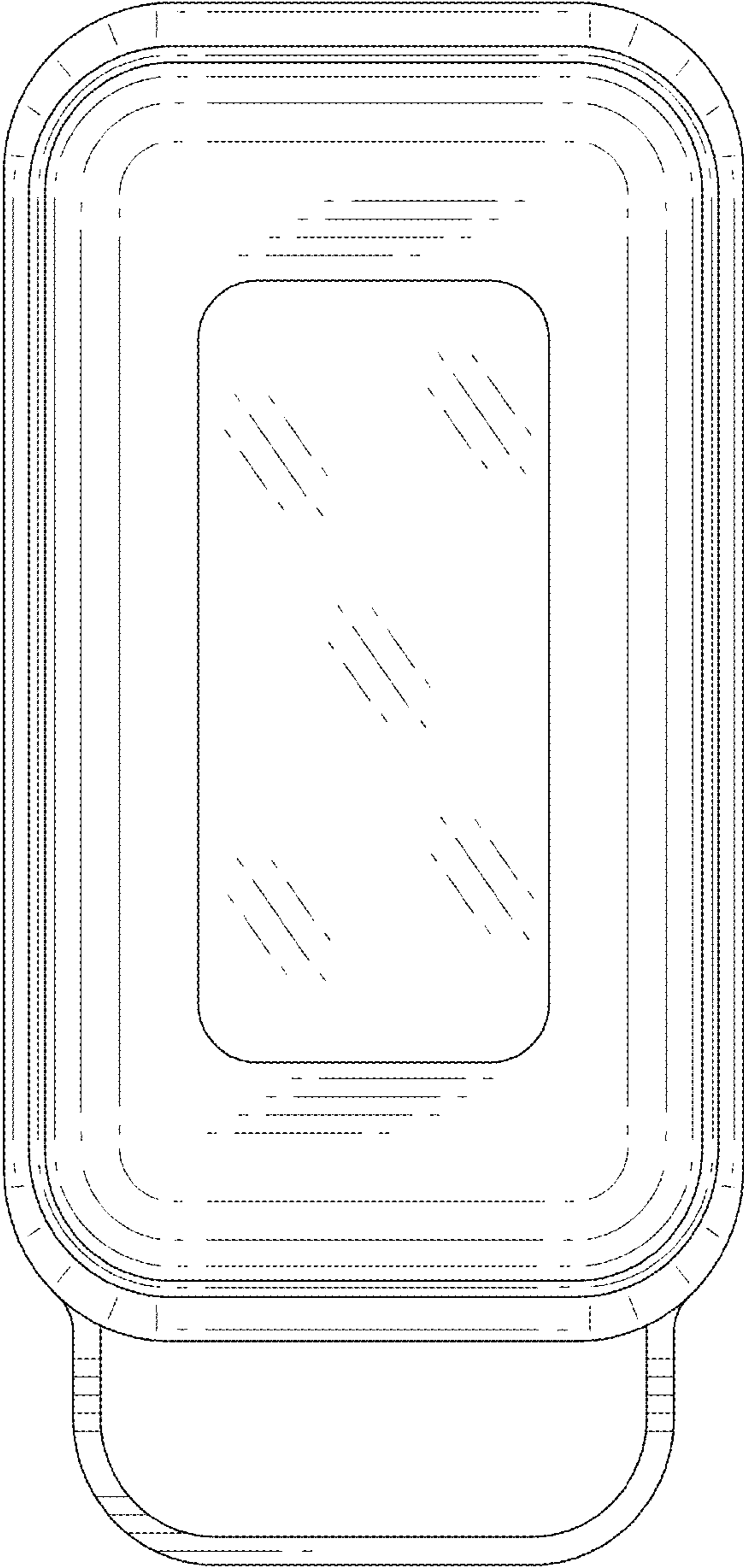


FIG. 5

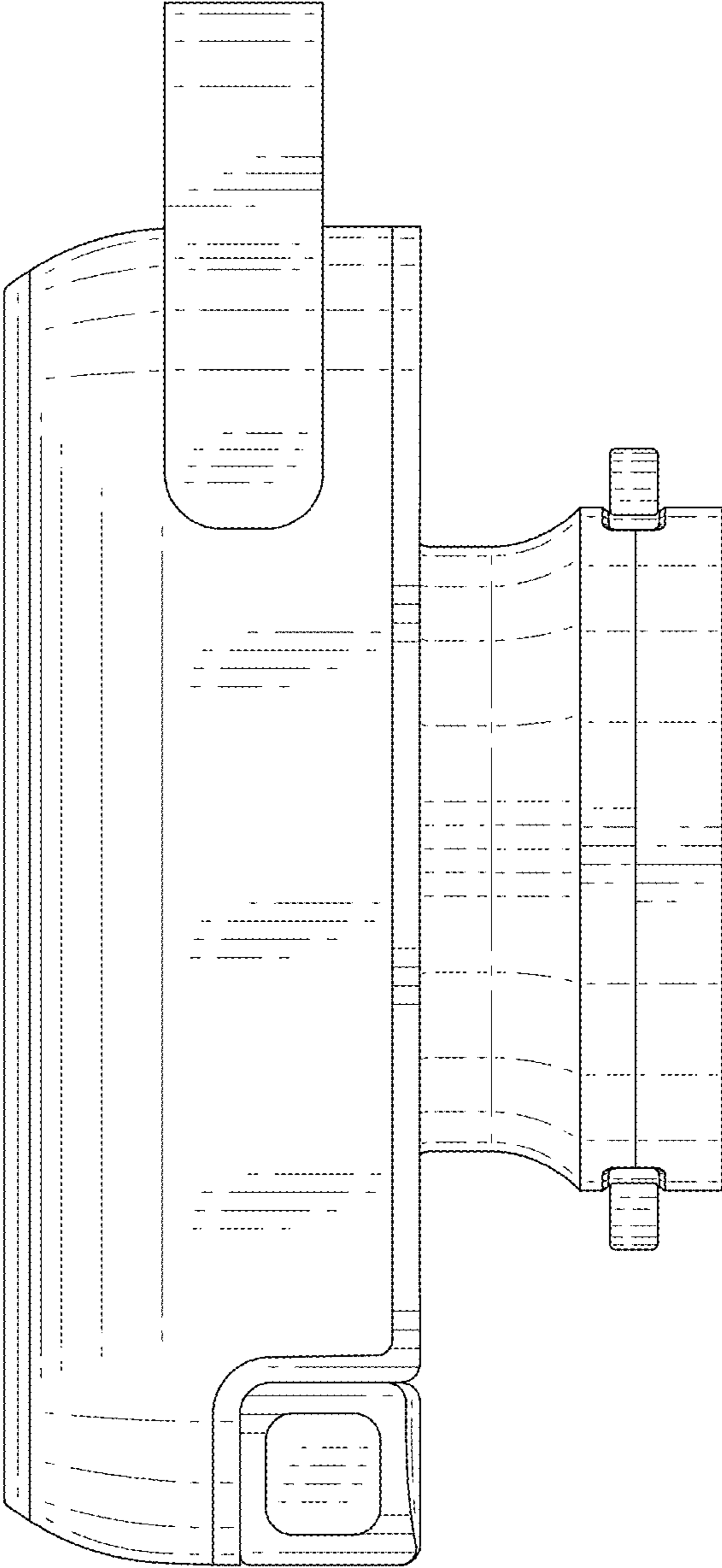


FIG.6

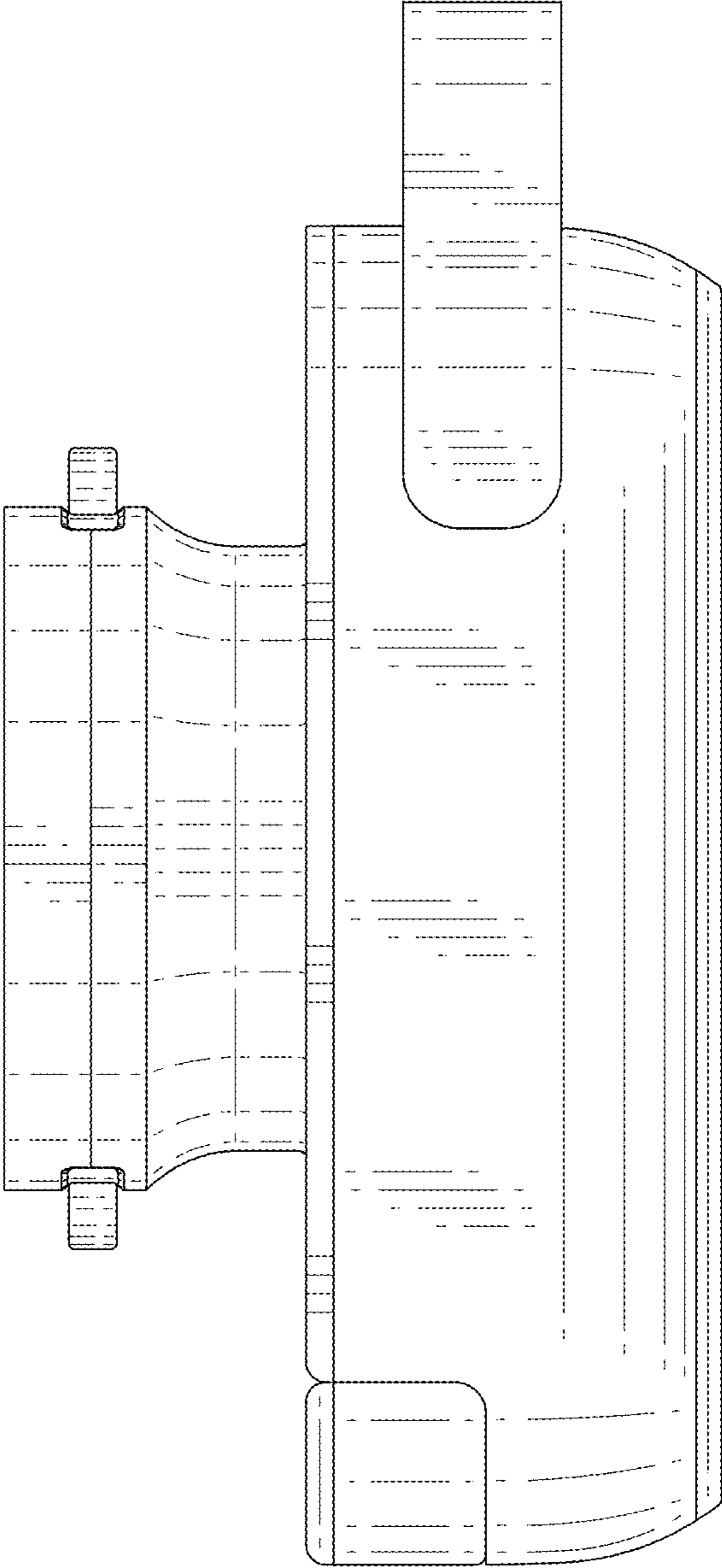


FIG. 7

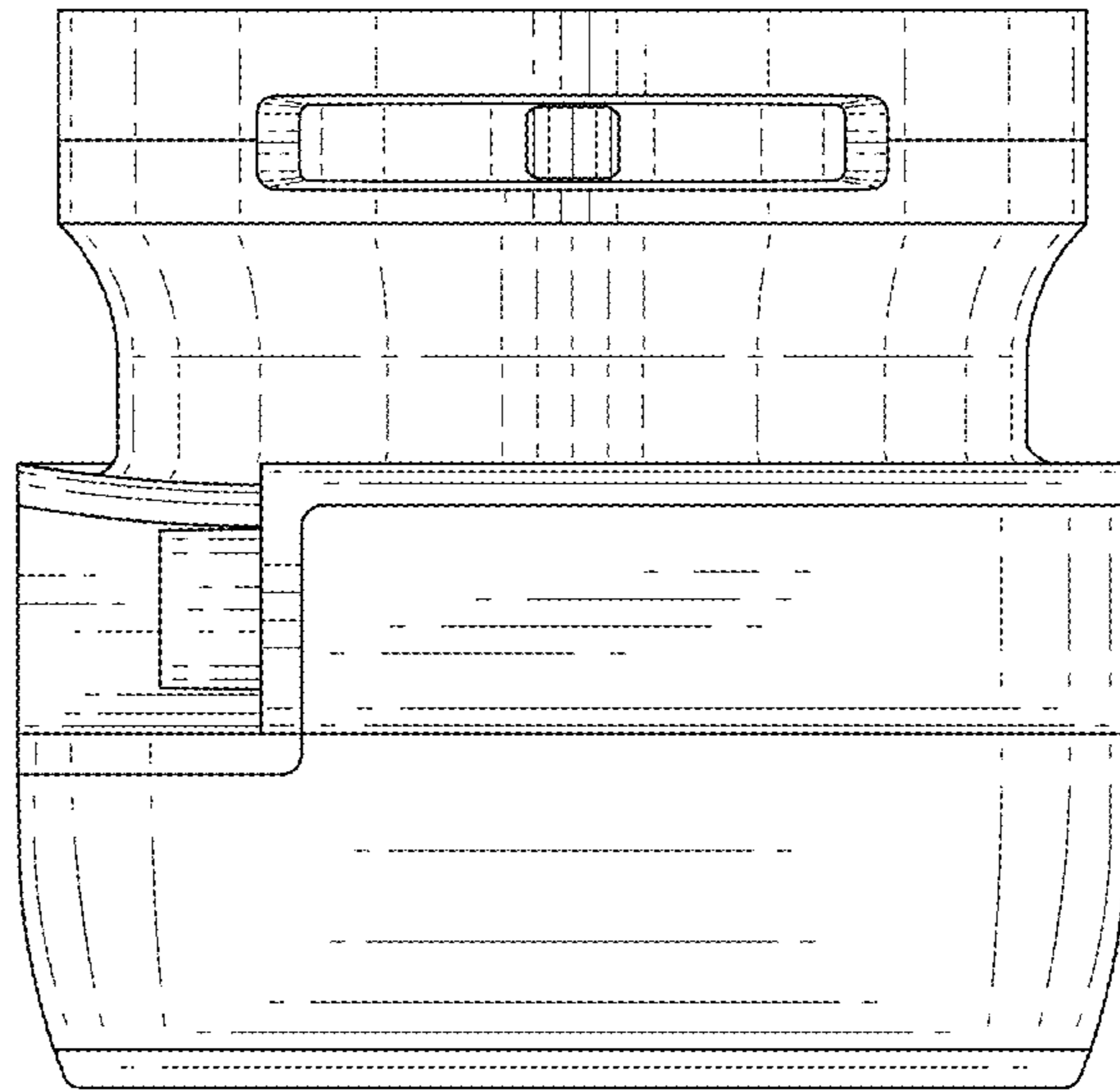


FIG. 8

