



US00D920514S

(12) **United States Design Patent** (10) **Patent No.:** **US D920,514 S**
Geißler (45) **Date of Patent:** **** May 25, 2021**

(54) **HANDPIECE OF A TATOO MACHINE**
(71) Applicant: **MT.DERM GmbH**, Berlin (DE)
(72) Inventor: **Jana Geißler**, Berlin (DE)
(**) Term: **15 Years**
(21) Appl. No.: **35/508,042**
(22) Filed: **Sep. 12, 2019**

D744,645 S * 12/2015 Smith D24/140
D745,151 S * 12/2015 Smith D24/144
D746,455 S * 12/2015 Mayer A61M 37/0076
D24/144
9,750,528 B2 * 9/2017 Scherkowski A61M 37/0076
9,974,566 B2 * 5/2018 Scherkowski A61B 17/3494
D842,468 S * 3/2019 Juan A61M 37/0076
D24/144
2012/0179186 A1 * 7/2012 Abbott A61M 37/0076
606/185

(80) **Hague Agreement Data**
Int. Filing Date: **Sep. 12, 2019**
Int. Reg. No.: **DM/204576**
Int. Reg. Date: **Sep. 12, 2019**
Int. Reg. Pub. Date: **Dec. 13, 2019**
(51) **LOC (13) Cl.** **24-02**
(52) **U.S. Cl.**
USPC **D24/148**
(58) **Field of Classification Search**
USPC D24/108, 133, 140, 144, 146, 147, 148
CPC A61M 37/0076; A61M 37/0084; A61M
37/00; A61M 2005/3117; A61M
2037/0023; A61M 2210/04; A61M
2250/00; A61M 5/3297; A61M 5/46;
B43L 13/24; A01K 11/005
See application file for complete search history.

(56) **References Cited**
U.S. PATENT DOCUMENTS
D380,046 S * 6/1997 Domanowski D19/903
D677,790 S * 3/2013 Little A61M 37/0076
D24/133
8,414,531 B2 * 4/2013 Oginski A61M 37/0076
604/131
D726,314 S * 4/2015 Marquez D24/144
D739,019 S * 9/2015 Chen D24/147

OTHER PUBLICATIONS

“Cheyenne Hawk Pen” https://theneedleparlor.com/products/cheyenne-hawk-pen?variant=12324069638178&gclid=EAlalQobChMli-SVmcXn7AIVjLLICh387gWGEAQYByABEgLSN_D_BwE Apr. 23, 2019 (Year: 2019).*

* cited by examiner

Primary Examiner — Samantha Q Lawrence

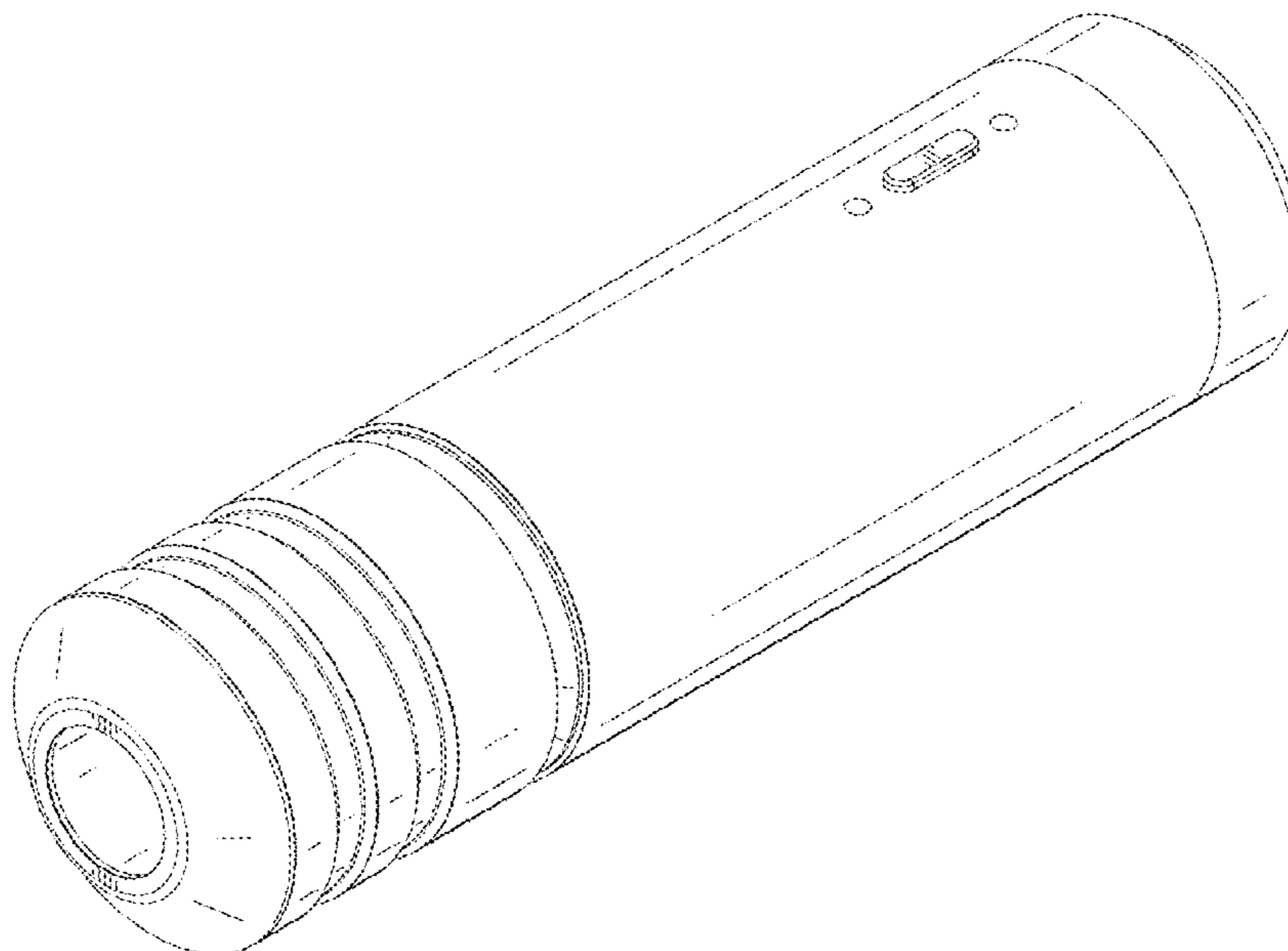
(57) **CLAIM**

The ornamental design for a handpiece of a tatoo machine, as shown and described.

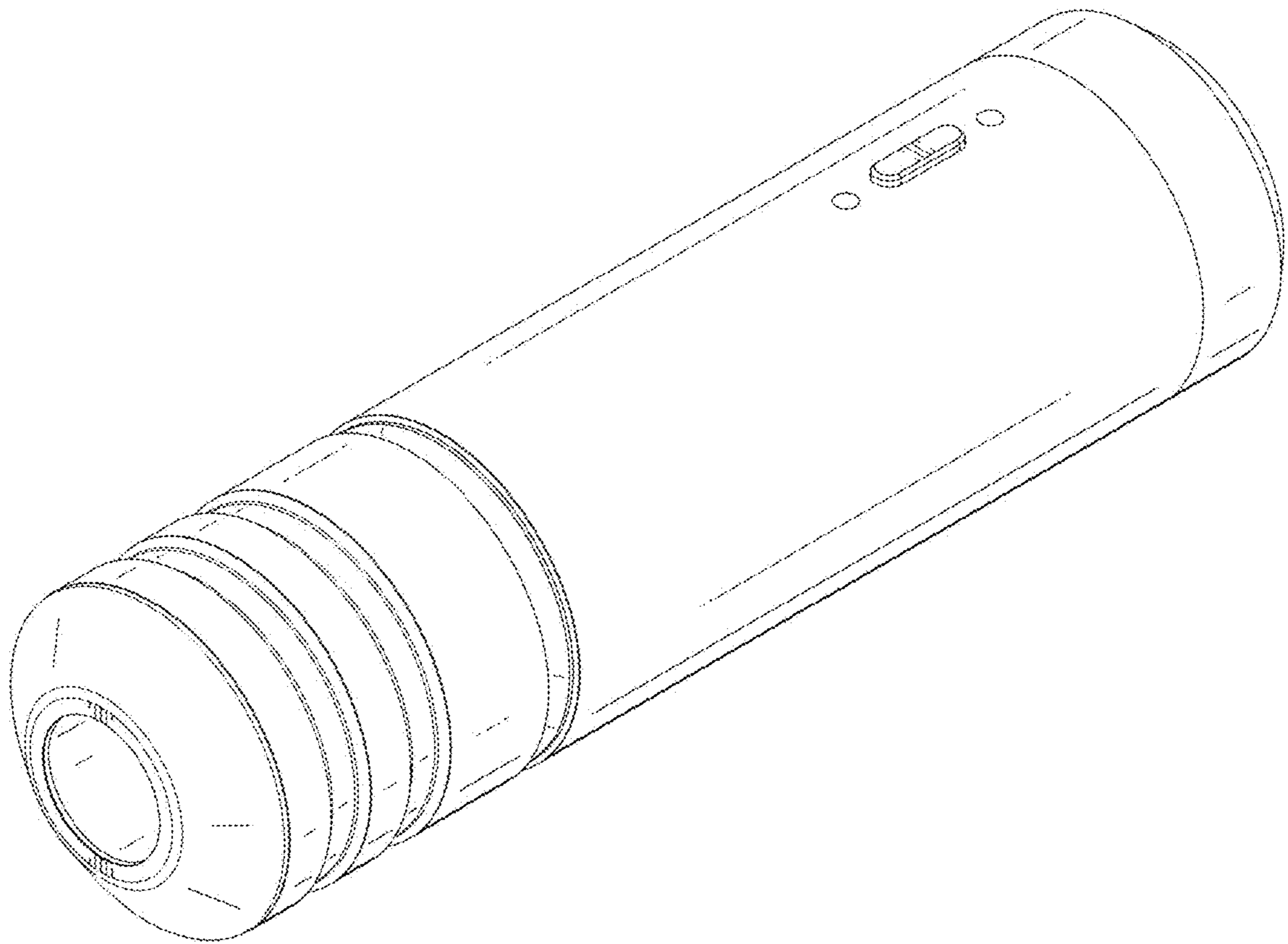
DESCRIPTION

Figure 1.1 is a perspective view of a handpiece of a tatoo machine;
Figure 1.2 is a front view thereof;
Figure 1.3 is a back view thereof;
Figure 1.4 is a left side view thereof;
Figure 1.5 is a right side view thereof;
Figure 1.6 is a top view thereof;
Figure 1.7 is a bottom view thereof; and
Figure 1.8 is a perspective view thereof.
The broken lines shown in Figures. 1.1-1.8 illustrate portions of the handpiece of a tatoo machine that form no part of the claimed design.

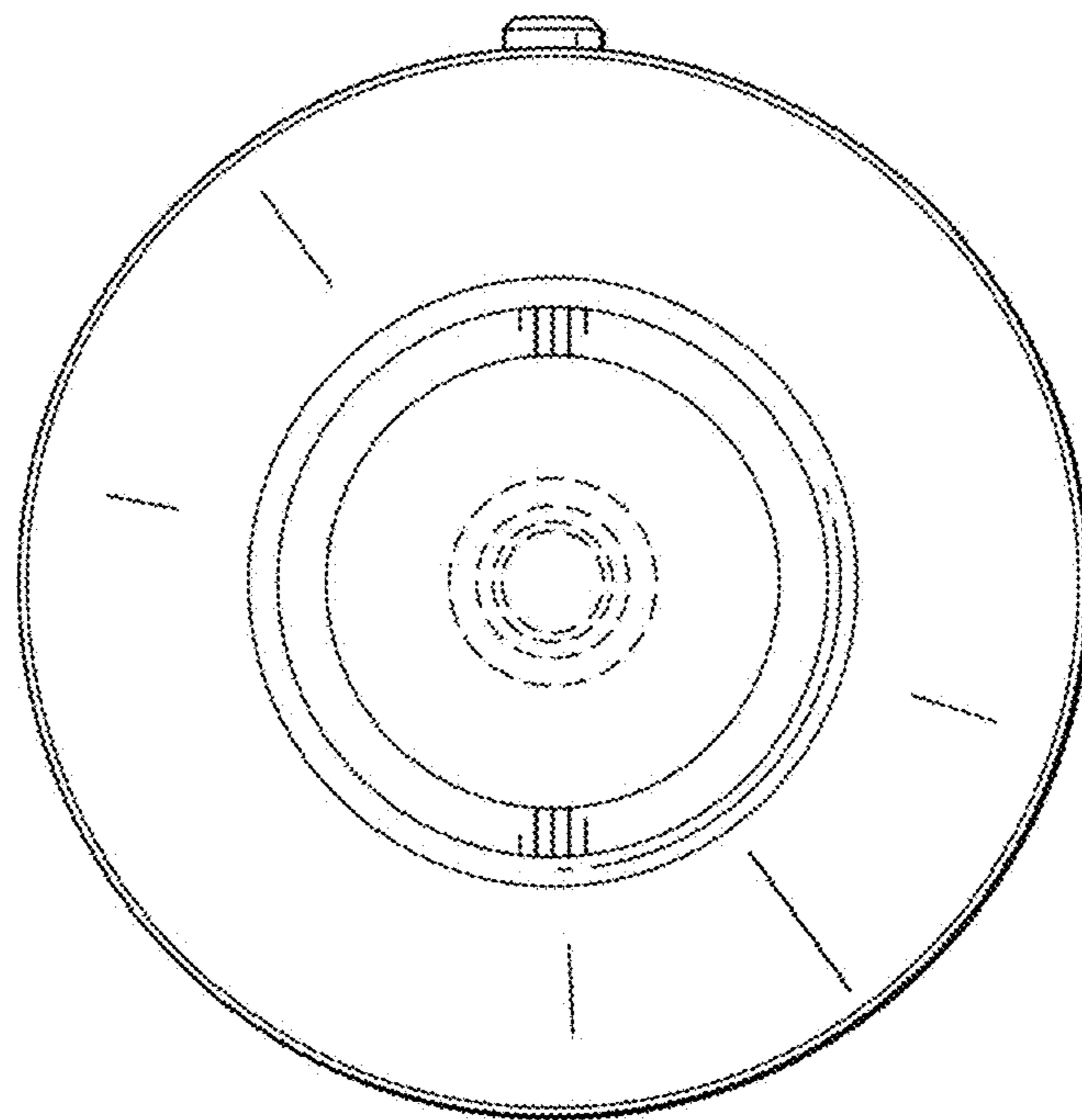
1 Claim, 8 Drawing Sheets



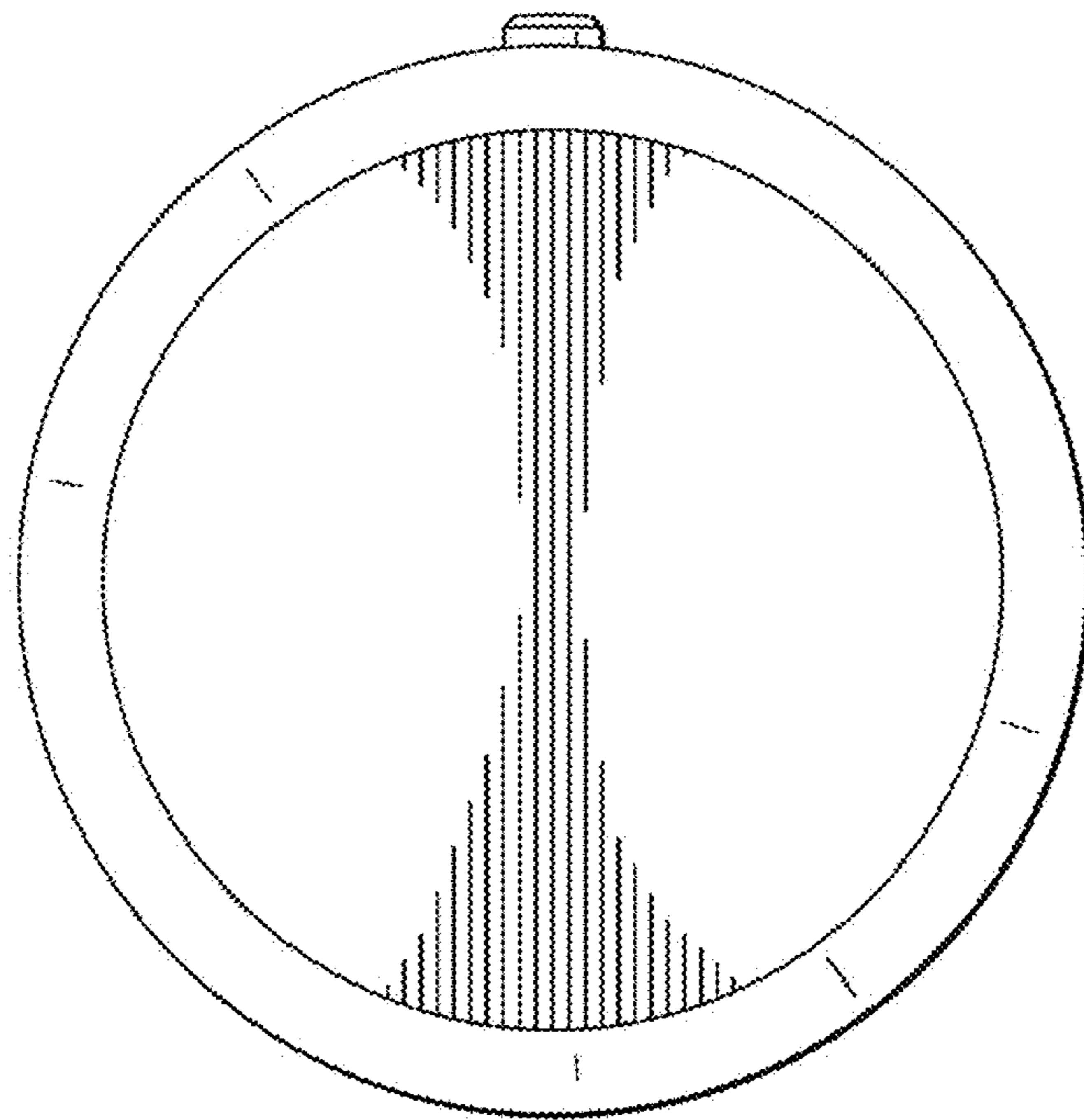
1.1



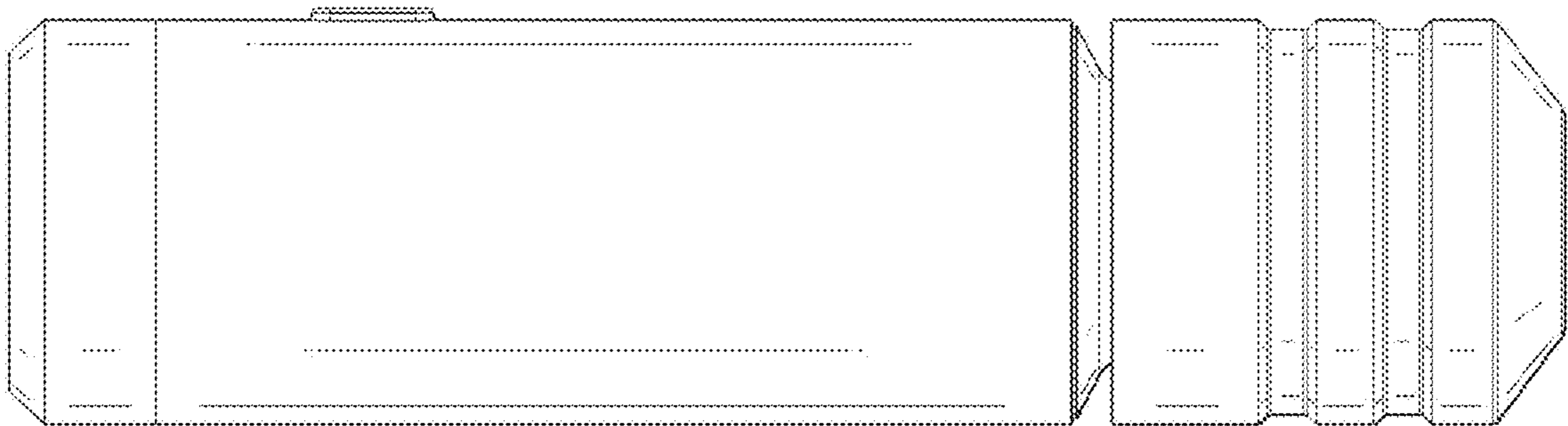
1.2



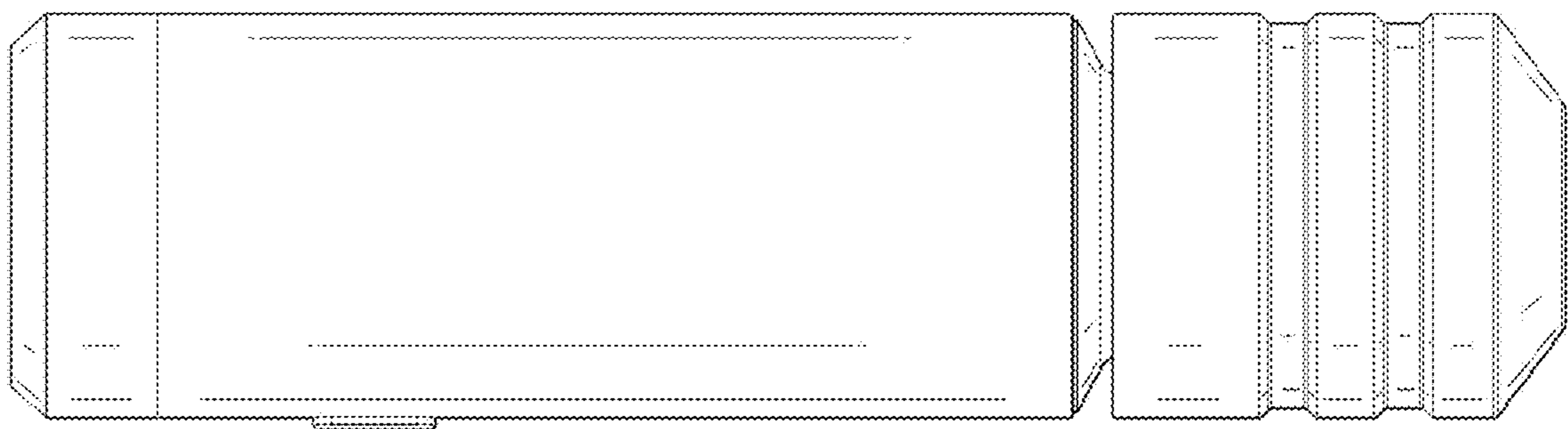
1.3



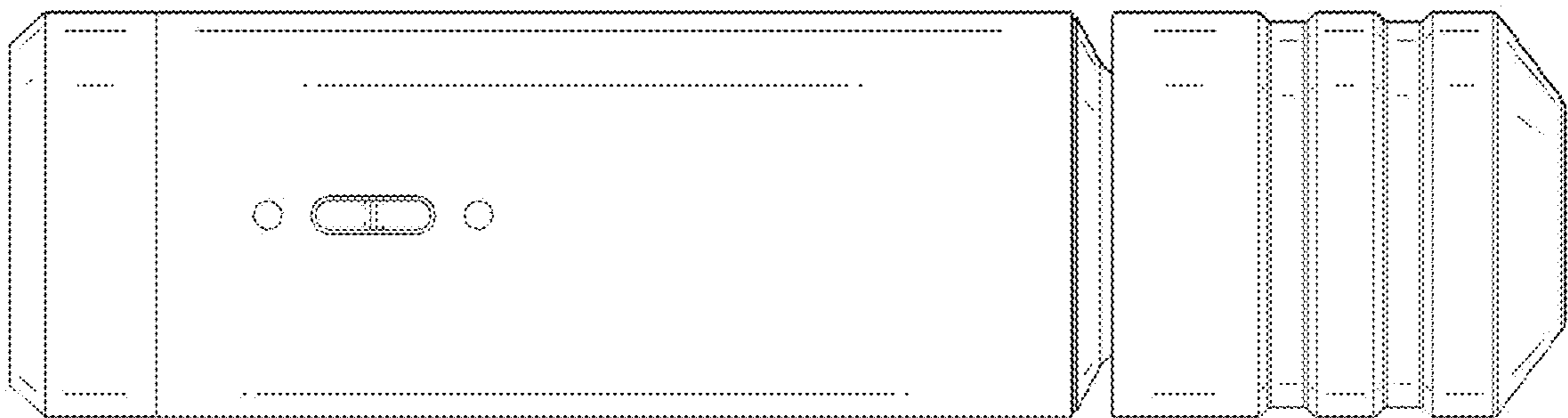
1.4



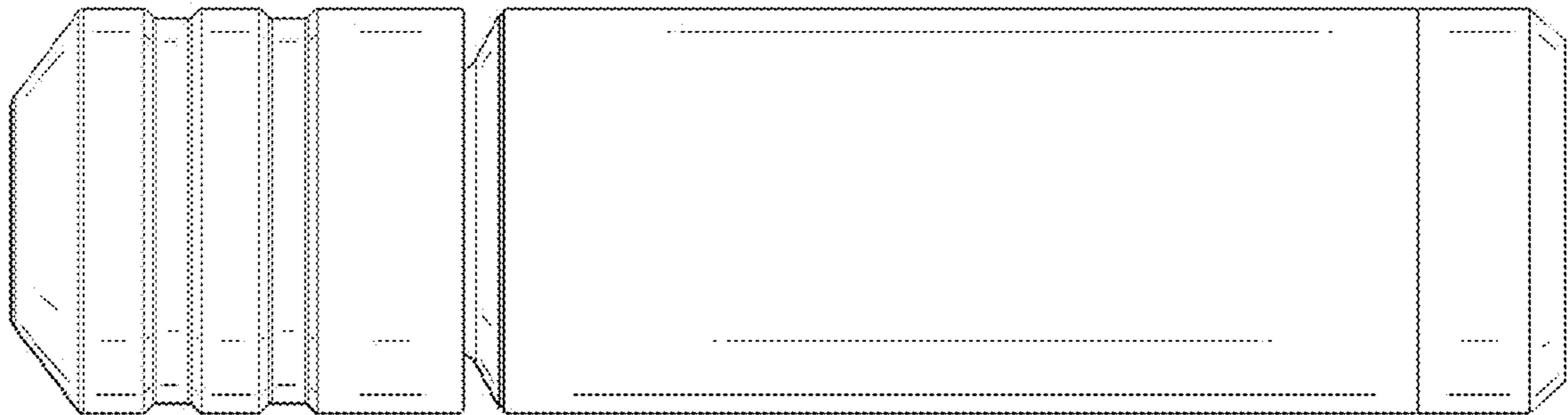
1.5



1.6



1.7



1.8

