



US00D920505S

(12) **United States Design Patent** (10) **Patent No.:** **US D920,505 S**  
**Fugo** (45) **Date of Patent:** **\*\* May 25, 2021**

(54) **SQUARE SHAPED HYPODERMIC NEEDLE ARRAY**

(71) Applicant: **Jonathan Robin Fugo**, Wappingers falls, NJ (US)

(72) Inventor: **Jonathan Robin Fugo**, Wappingers falls, NJ (US)

(73) Assignee: **GRAVITY HOLDINGS, LLC**, Wappingers Falls, NY (US)

(\*\*) Term: **15 Years**

(21) Appl. No.: **29/736,111**

(22) Filed: **May 27, 2020**

**Related U.S. Application Data**

(63) Continuation-in-part of application No. 15/931,631, filed on May 14, 2020.

(51) **LOC (13) Cl.** ..... **24-02**

(52) **U.S. Cl.**  
USPC ..... **D24/130**

(58) **Field of Classification Search**  
USPC ..... D24/112-114, 108, 133, 130, 127, 186;  
606/181, 185; 604/264, 272, 187, 181,  
604/184, 227  
CPC .... A61M 37/0015; A61M 5/178; A61M 3/00;  
A61M 5/20; A61M 5/31; A61M 5/3146;  
A61M 5/3129; A61M 5/3148; A61M  
5/315; B29C 35/0261  
See application file for complete search history.

(56) **References Cited**

**U.S. PATENT DOCUMENTS**

6,132,449 A \* 10/2000 Lum ..... A61B 5/150022  
606/181  
6,551,338 B1 \* 4/2003 Chiu ..... A61B 17/34  
128/898

8,696,637 B2 \* 4/2014 Ross ..... A61M 5/14248  
604/173  
2004/0072105 A1 \* 4/2004 Yeshurun ..... A61M 37/0015  
430/313  
2004/0249405 A1 \* 12/2004 Watanabe ..... A61B 5/150503  
606/181  
2005/0034200 A1 \* 2/2005 Montemagno .... A61M 37/0015  
427/2.28  
2010/0048744 A1 \* 2/2010 Park ..... B29C 35/0261  
521/50  
2011/0005669 A1 \* 1/2011 Lee ..... A61B 5/685  
156/256  
2014/0142492 A1 \* 5/2014 Jung ..... A61M 37/0015  
604/21  
2014/0257188 A1 \* 9/2014 Kendall ..... A61M 37/0015  
604/173

(Continued)

*Primary Examiner* — David G Muller

(74) *Attorney, Agent, or Firm* — Bryan Cave Leighton Paisner, LLP

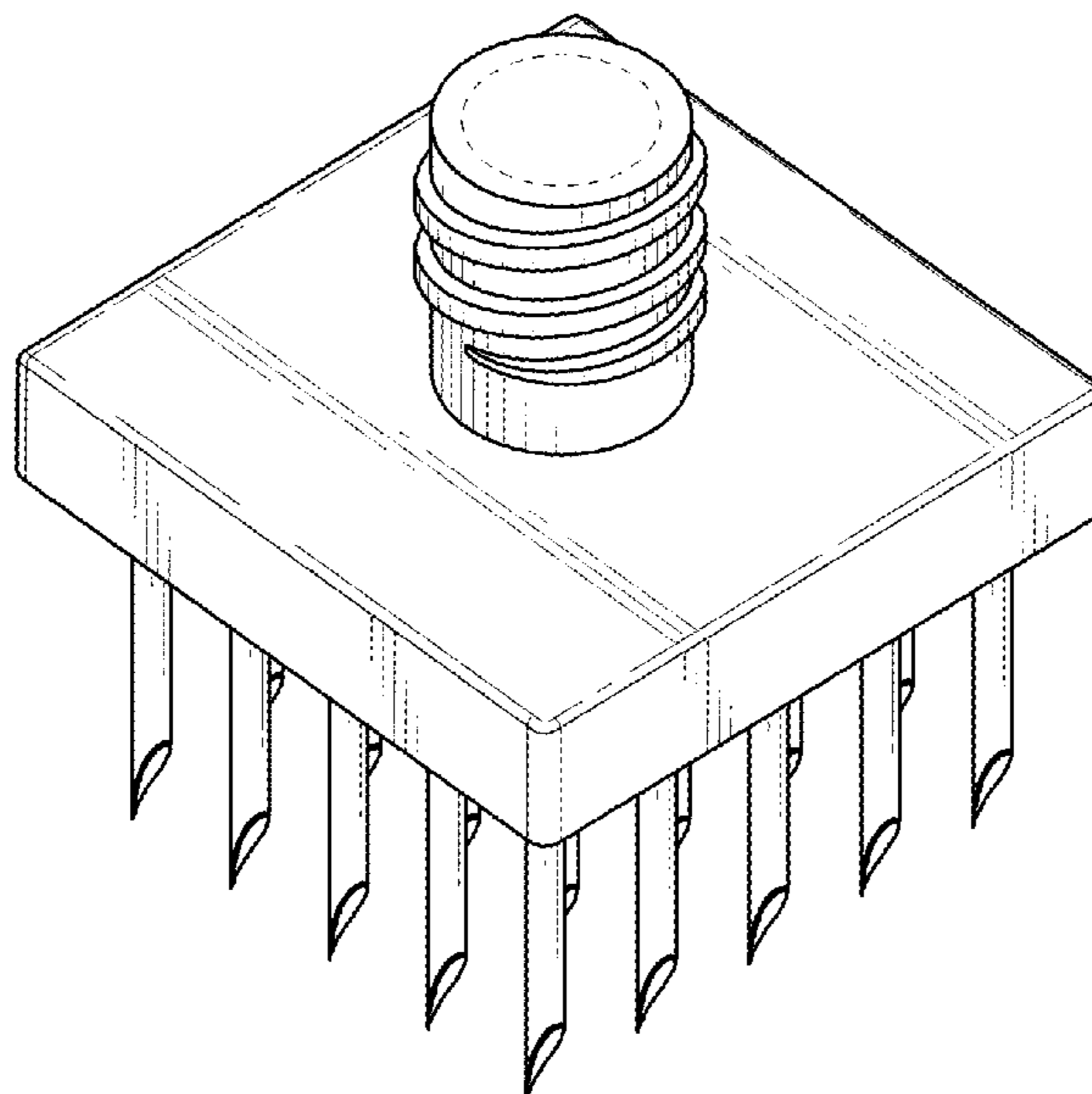
(57) **CLAIM**

The ornamental design for a square shaped hypodermic needle array, as shown and described.

**DESCRIPTION**

FIG. 1 is a top perspective view of a square shaped hypodermic needle array;  
FIG. 2 is a bottom perspective view thereof;  
FIG. 3 is a front view thereof;  
FIG. 4 is a rear view thereof;  
FIG. 5 is a right side view thereof;  
FIG. 6 is a left side view thereof;  
FIG. 7 is a top view thereof; and,  
FIG. 8 is a bottom view thereof.  
The broken line showing of parts of the drawings is included for the purpose of illustrating use and environment and forms no part of the claimed design.

**1 Claim, 8 Drawing Sheets**



(56)

**References Cited**

## U.S. PATENT DOCUMENTS

2015/0112283 A1\* 4/2015 Tagami ..... A61M 37/0015  
604/272  
2016/0325081 A1\* 11/2016 Kato ..... A61M 37/0015  
2017/0021025 A1\* 1/2017 Naheed ..... A61M 37/0015  
2017/0266427 A1\* 9/2017 Nishimura ..... A61K 9/0021  
2018/0161252 A1\* 6/2018 Francis ..... A61K 8/732  
2018/0161563 A1\* 6/2018 Renlund ..... A61B 5/150282  
2018/0369136 A1\* 12/2018 Narayan ..... A61K 31/593  
2019/0030309 A1\* 1/2019 Kwon ..... B29C 39/02  
2019/0090811 A1\* 3/2019 Reitz ..... A61B 5/6839  
2019/0091455 A1\* 3/2019 Reitz ..... B21D 17/02  
2019/0351588 A1\* 11/2019 Sakazaki ..... B29C 39/26  
2019/0381300 A1\* 12/2019 Kobayashi ..... A61K 47/183  
2020/0029981 A1\* 1/2020 Park ..... A61K 9/0021  
2020/0129746 A1\* 4/2020 Niitsu ..... B29C 65/48  
2020/0147359 A1\* 5/2020 Groop ..... A61B 17/3417  
2020/0164193 A1\* 5/2020 Williams ..... A01K 11/001  
2020/0246602 A1\* 8/2020 Tamaki ..... A61M 37/0015  
2020/0282604 A1\* 9/2020 Mochizuki ..... B29C 33/40  
2020/0331691 A1\* 10/2020 Sakazaki ..... A61M 37/0015

\* cited by examiner

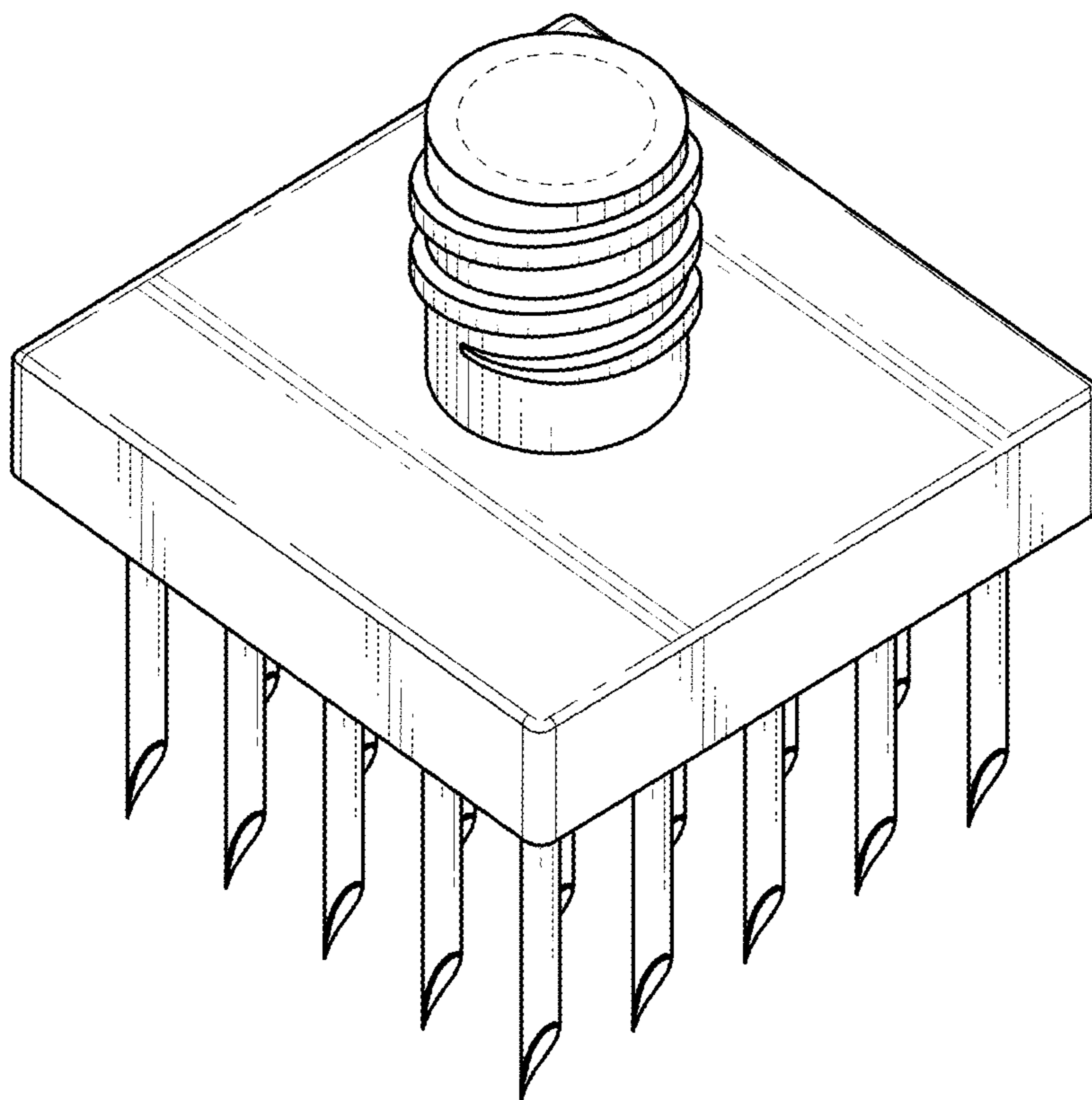


FIG. 1

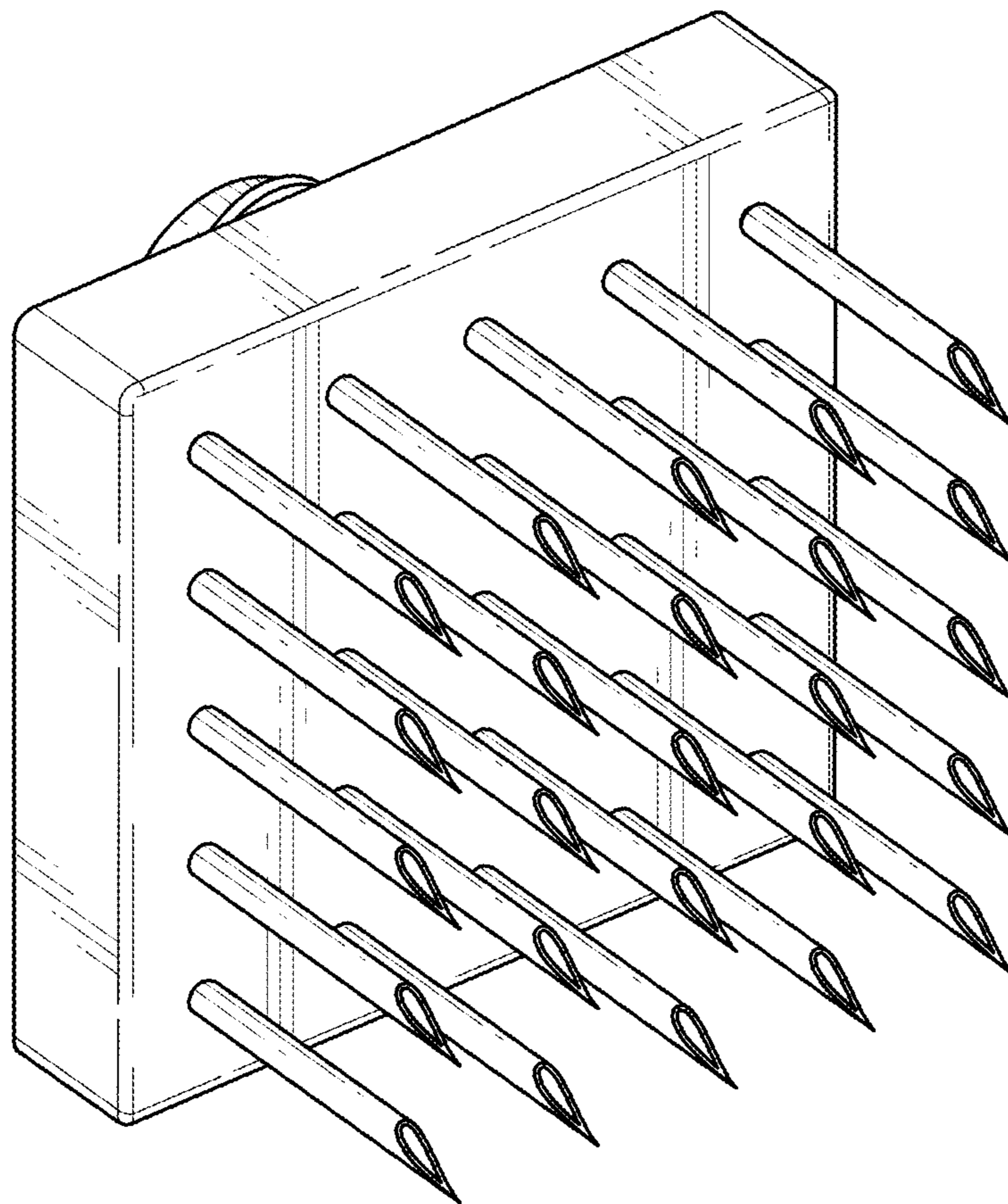


FIG. 2

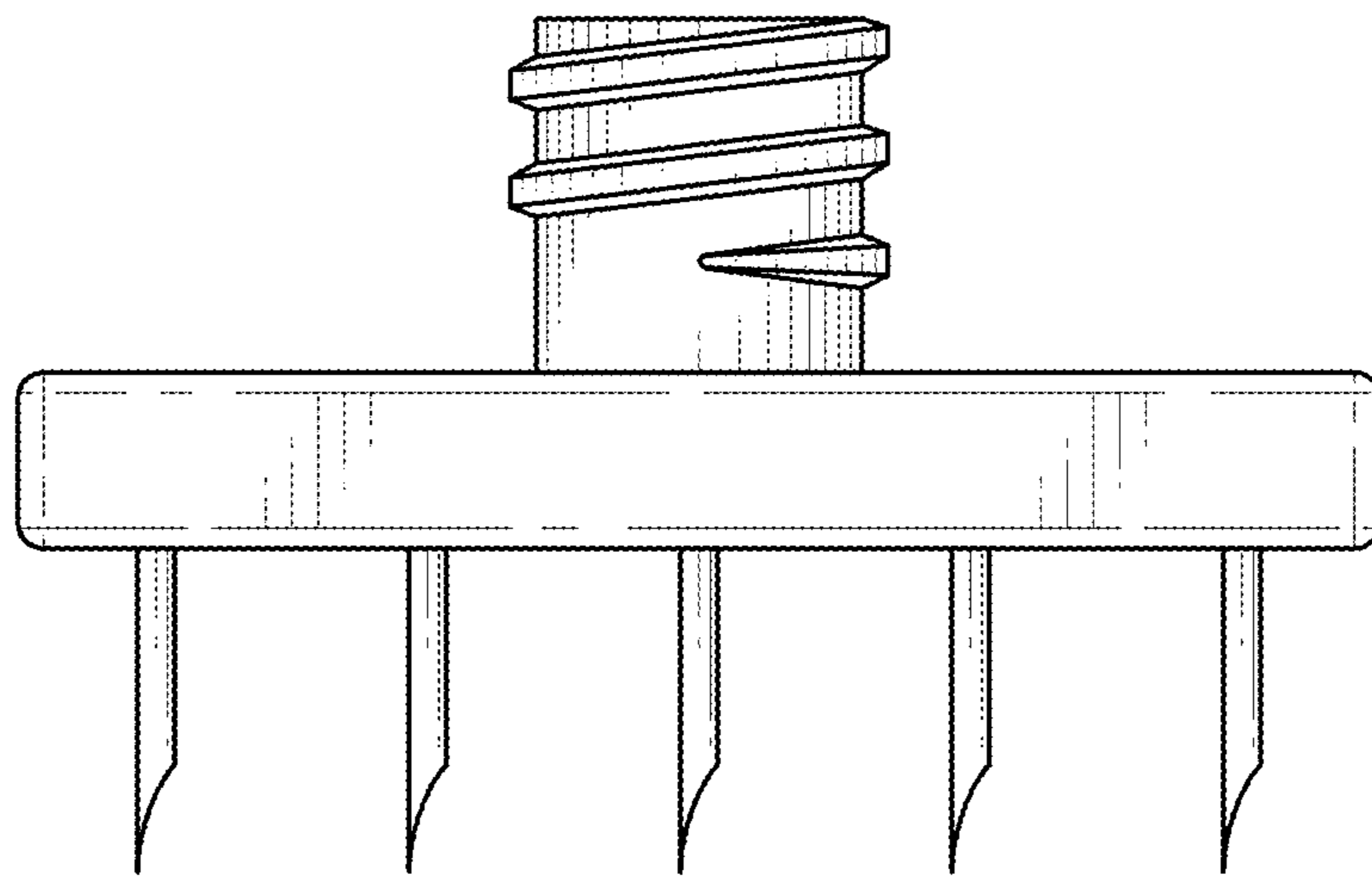


FIG. 3

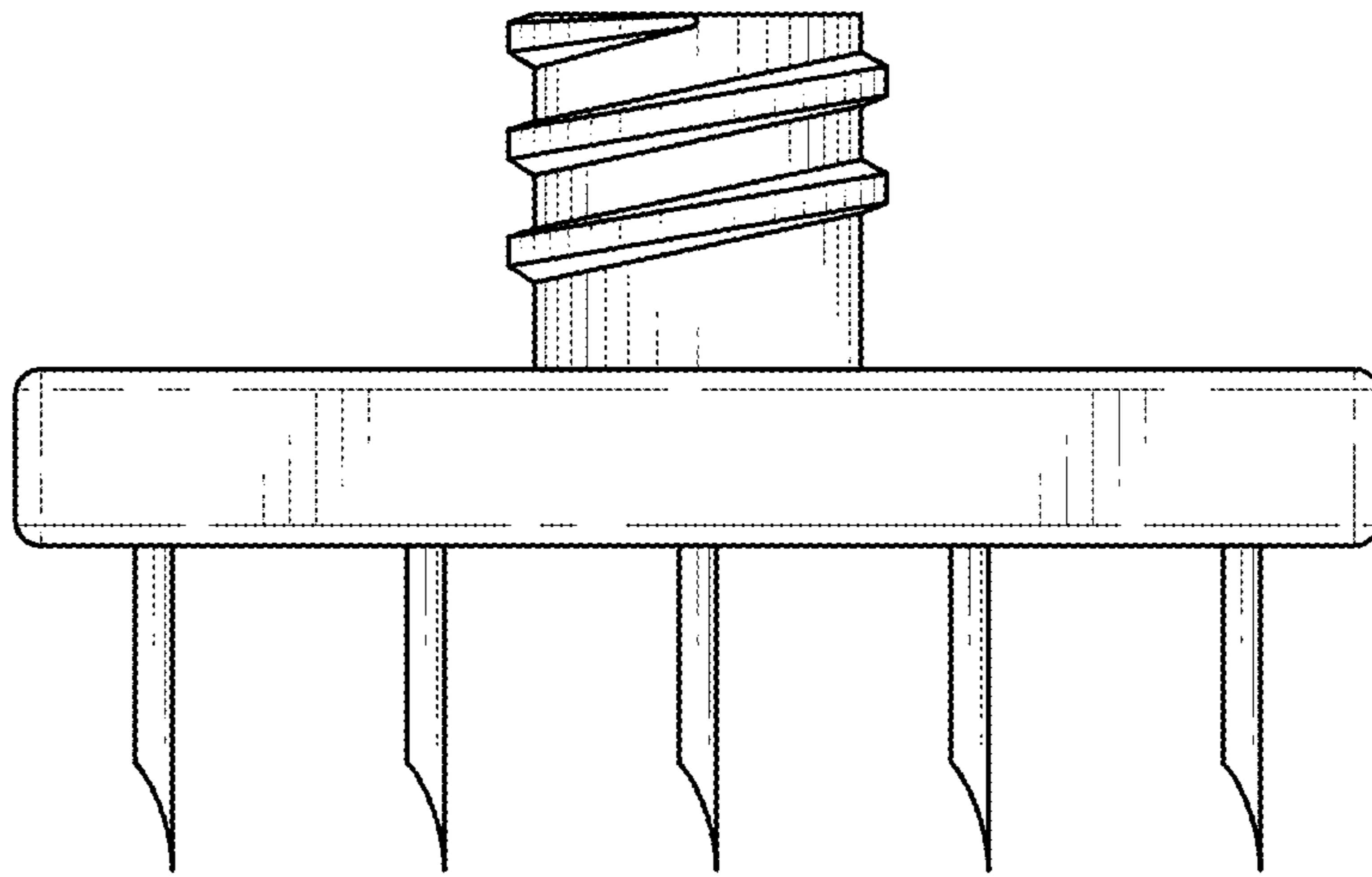


FIG. 4

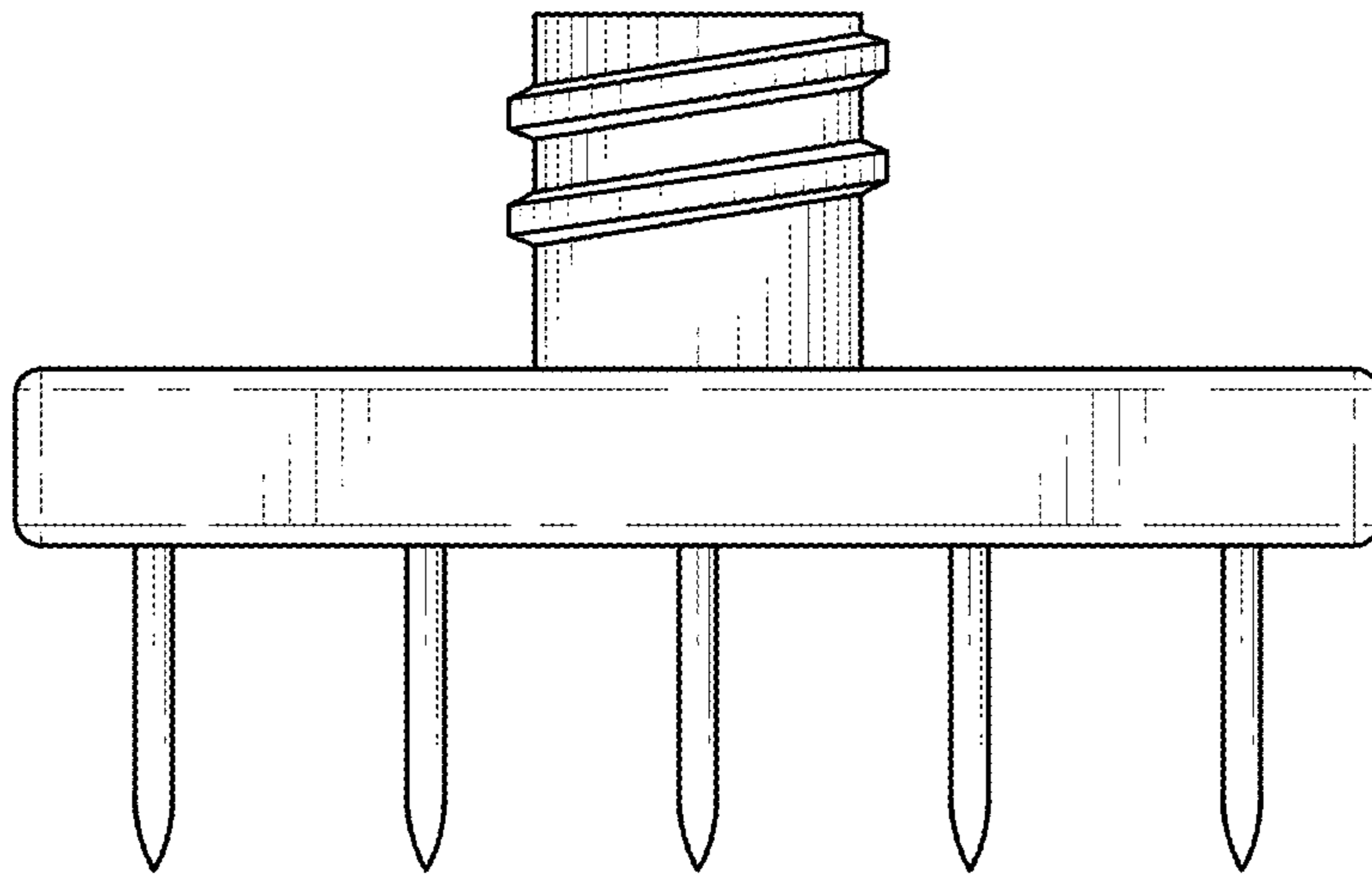


FIG. 5

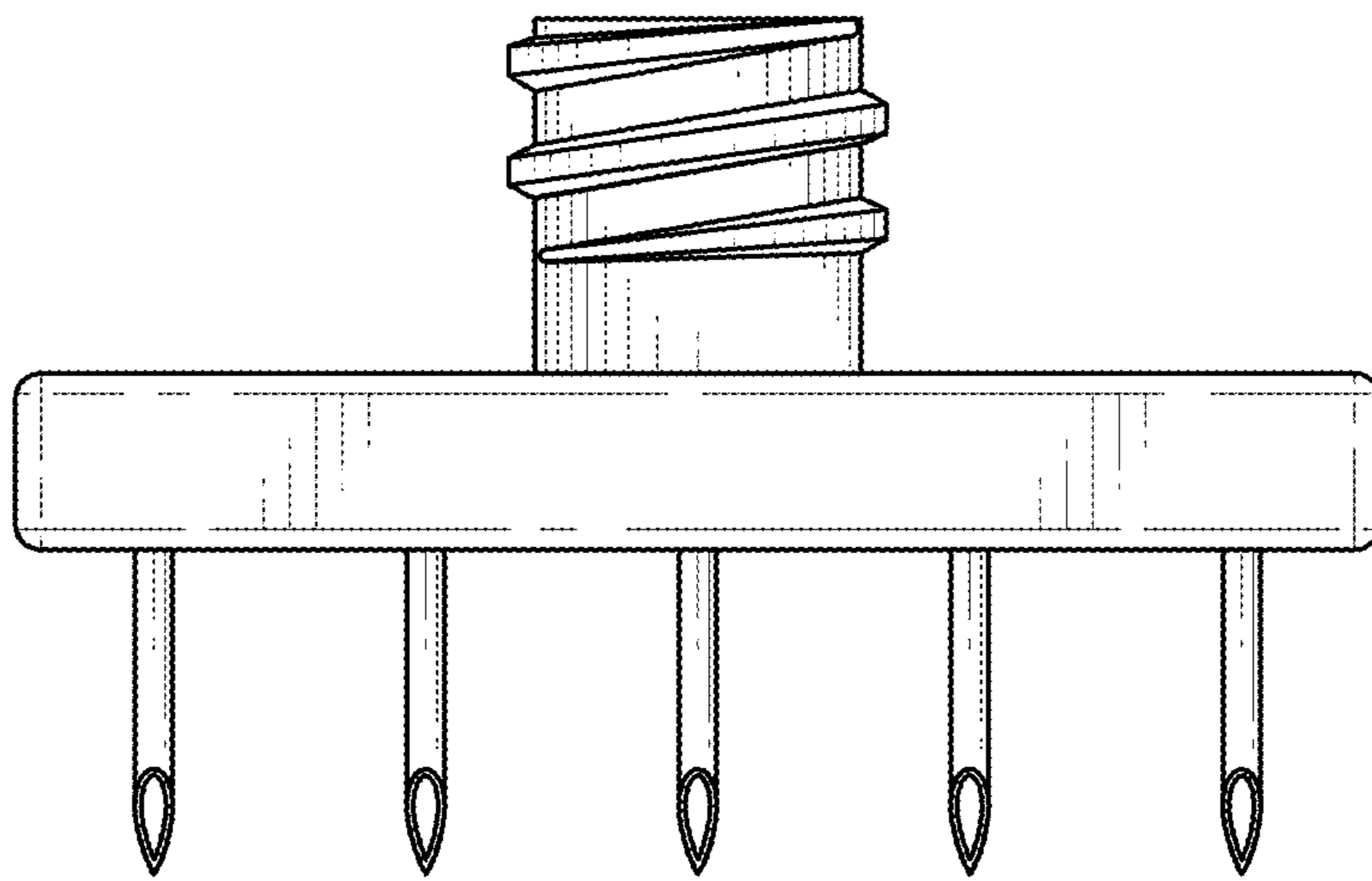


FIG. 6



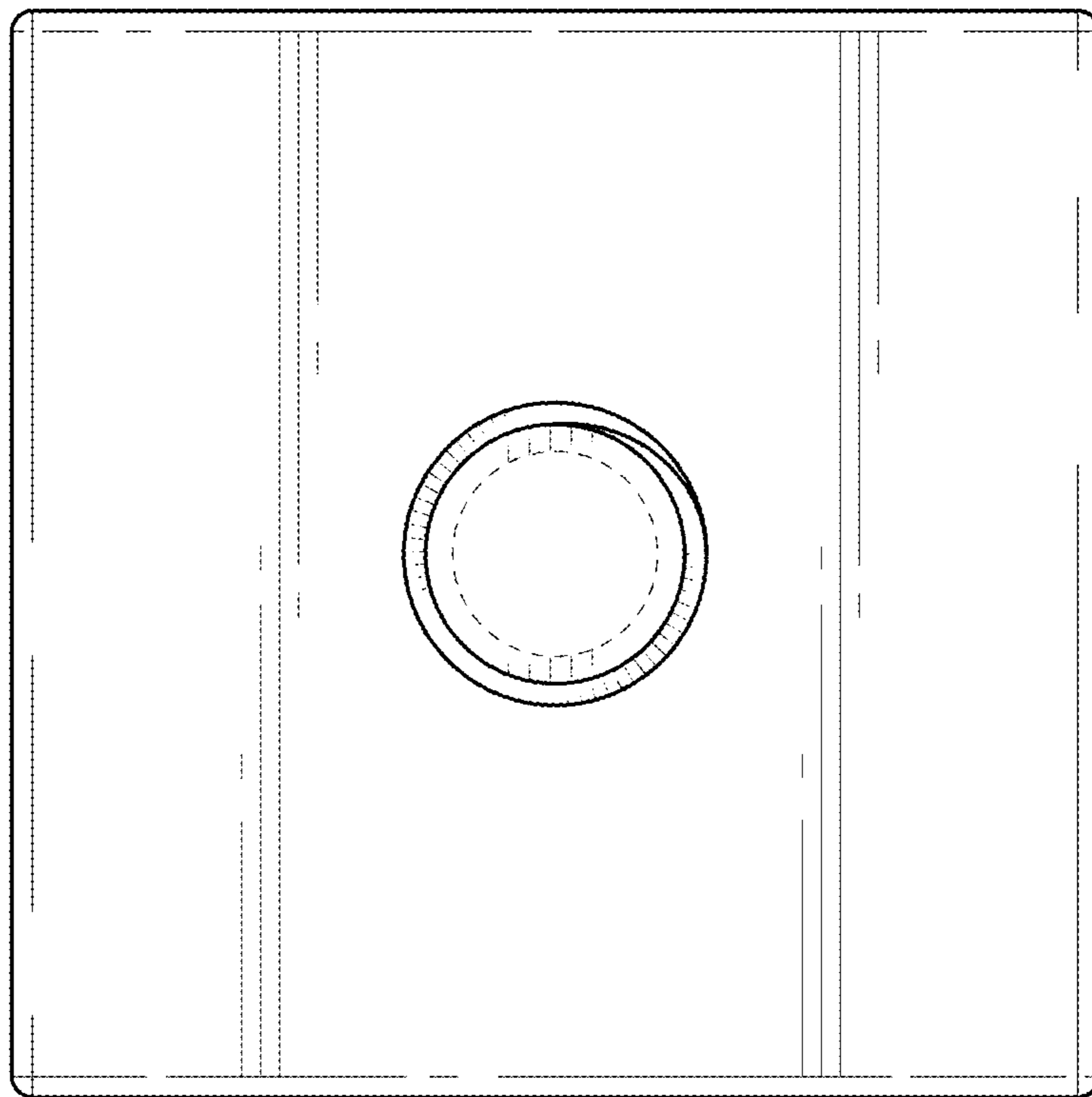


FIG. 7

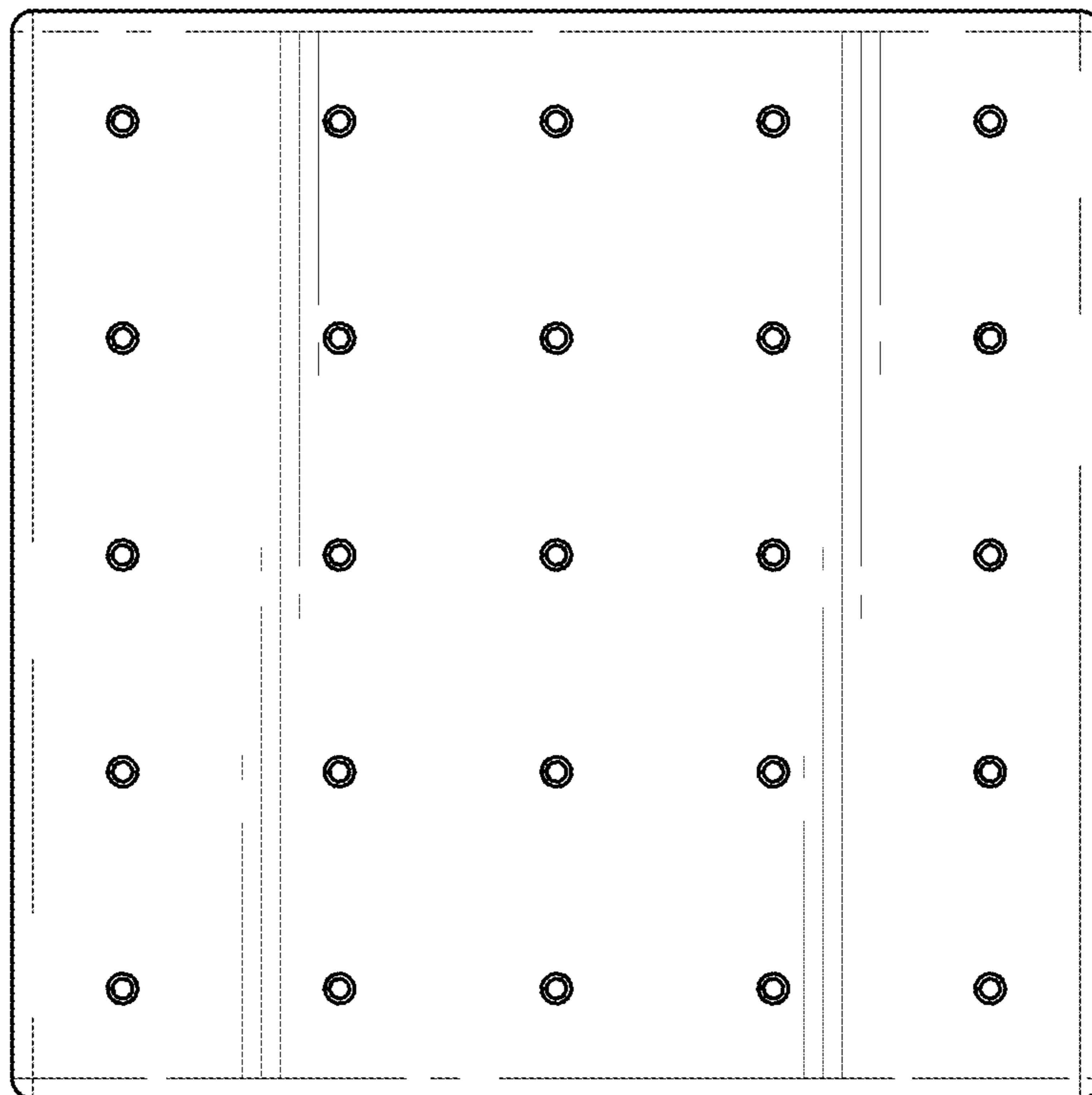


FIG. 8