



US00D920504S

(12) **United States Design Patent** (10) **Patent No.:** **US D920,504 S**
Bauer et al. (45) **Date of Patent:** **** May 25, 2021**

(54) **VALVE**

(71) Applicant: **Medline Industries, Inc.**, Northfield, IL (US)

(72) Inventors: **Lisa Bauer**, Buffalo Grove, IL (US); **Luke Stevens**, Wildwood, IL (US); **Michael Turturro**, Arlington Heights, IL (US); **Paulina Lowkis**, Barrington, IL (US); **Morgan Uridil**, Evanston, IL (US); **Douglas Komandt**, Chicago, IL (US)

2,760,262 A 8/1956 Homan
 2,982,434 A 5/1961 Hidding
 3,195,759 A 7/1965 Beacham
 3,220,591 A 11/1965 Hidding
 3,556,453 A 1/1971 Hall
 3,630,477 A 12/1971 Stadler
 3,638,823 A 2/1972 McCoy

(Continued)

FOREIGN PATENT DOCUMENTS

EP 2434635 3/2012
 EP 3325044 5/2018

(Continued)

(73) Assignee: **Medline Industries, Inc.**, Northfield, IL (US)

(**) Term: **15 Years**

(21) Appl. No.: **29/696,798**

(22) Filed: **Jul. 1, 2019**

(51) **LOC (13) Cl.** **24-02**

(52) **U.S. Cl.**
USPC **D24/129**

(58) **Field of Classification Search**
 USPC D24/127–131, 112–114, 133, 186;
 606/181, 185; 604/264, 523–528, 272,
 604/187, 158, 164.01–164.11, 181, 184,
 604/227; 600/101, 139, 143;
 128/200.24, 207.14, 207.15
 CPC B65D 83/425; B65D 83/14; A61M 25/065;
 A61M 5/42; A61M 25/0612; A61M
 25/00; A61M 39/00; A61M 27/00; A61M
 25/0043; A61M 25/0067; A61M 25/0097;
 A61F 2/958

See application file for complete search history.

(56) **References Cited**

U.S. PATENT DOCUMENTS

1,607,053 A 11/1926 Eshton
 2,756,740 A 7/1956 Deane

OTHER PUBLICATIONS

Medline Industries, Inc., Pictures of Medline EntraFlo Nutrition Delivery System, publicly available at least as of Nov. 1, 2018.

(Continued)

Primary Examiner — Nathan M Johnston

(74) *Attorney, Agent, or Firm* — Fitch, Even, Tabin & Flannery LLP

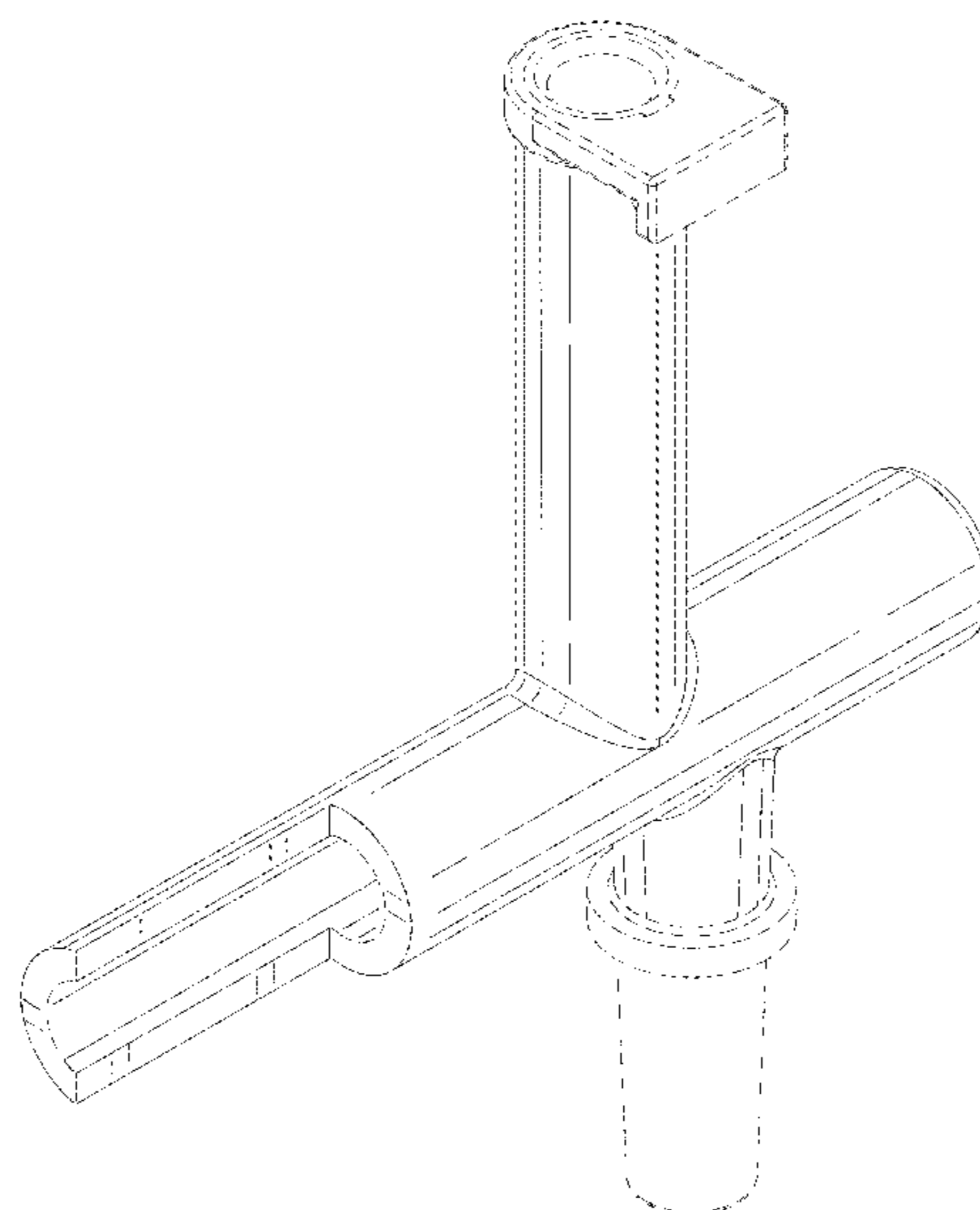
(57) **CLAIM**

The ornamental design for a valve, as shown and described.

DESCRIPTION

FIG. 1 is a front, top perspective view of a valve in accordance with our new design;
 FIG. 2 is a rear, bottom perspective view thereof;
 FIG. 3 is a front elevation view thereof;
 FIG. 4 is a rear elevation view thereof;
 FIG. 5 is a right side elevation view thereof;
 FIG. 6 is a left side elevation view thereof;
 FIG. 7 is a top plan view thereof; and,
 FIG. 8 is a bottom plan view thereof.
 The broken lines depict portions of the valves that form no part of the claimed design.

1 Claim, 7 Drawing Sheets



(56)

References Cited

U.S. PATENT DOCUMENTS

3,807,679 A 4/1974 Burke
 4,045,070 A 8/1977 Geisinger
 4,634,089 A 1/1987 Wright
 4,930,532 A 6/1990 Mayer
 5,135,125 A 8/1992 Andel
 5,174,534 A 12/1992 Mitchell
 D333,184 S 2/1993 Taylor
 D334,620 S 4/1993 Taylor
 D354,350 S 1/1995 Pryor
 5,470,037 A 11/1995 Willis
 5,490,658 A 2/1996 Coward
 5,514,102 A 5/1996 Winterer
 5,549,074 A 8/1996 Hui
 5,647,520 A 7/1997 McDaid
 5,720,721 A 2/1998 Dumas
 5,807,333 A 9/1998 Osborne
 D404,128 S 1/1999 Huebner
 5,934,222 A 8/1999 Hwang
 5,944,697 A * 8/1999 Biche A61M 25/06
 604/174
 D418,916 S * 1/2000 Bastable D24/108
 6,129,703 A 10/2000 Beneke
 D438,618 S * 3/2001 Solem D24/155
 6,224,578 B1 5/2001 Davis
 6,280,415 B1 * 8/2001 Johnson A61B 17/0218
 433/91
 6,280,422 B1 8/2001 Sanchez-Browning
 6,435,134 B1 8/2002 Ho
 6,561,129 B1 5/2003 Cheng
 D497,993 S 11/2004 Dixon
 D502,773 S 3/2005 Abry
 7,092,797 B2 8/2006 Gaines
 7,447,566 B2 11/2008 Knauper
 D583,053 S 12/2008 Zhukauskas
 7,726,174 B2 6/2010 Riley
 7,763,005 B2 7/2010 Knauper
 7,818,992 B2 10/2010 Riley
 8,021,322 B1 9/2011 Francis
 8,142,404 B2 3/2012 Knauper
 8,177,736 B2 5/2012 Kopperschmidt
 D663,417 S 7/2012 Meyer
 8,225,639 B2 7/2012 Riley
 D669,586 S 10/2012 Meyer
 D672,037 S * 12/2012 Miller D24/129
 8,574,190 B2 11/2013 Francis
 D707,355 S * 6/2014 Bow D24/129
 9,101,712 B2 8/2015 Denis
 9,402,789 B2 8/2016 Knauper
 9,408,968 B2 8/2016 Browne
 9,424,020 B2 8/2016 Borges
 D789,540 S 6/2017 Gyorgy
 9,710,610 B2 7/2017 Flynn
 D796,667 S 9/2017 Manandhar

D799,056 S 10/2017 Bourgeois
 9,820,916 B2 11/2017 Boulanger
 9,852,263 B2 12/2017 Harr
 9,871,866 B2 1/2018 Borges
 9,909,688 B2 3/2018 Gaines
 9,974,902 B2 5/2018 Holderle
 10,215,305 B2 2/2019 Gaines
 10,219,985 B2 3/2019 Hudson
 10,227,971 B2 3/2019 Hudson
 10,293,103 B2 5/2019 Adams
 10,387,624 B2 8/2019 Jedwab
 D861,863 S * 10/2019 Leonard D24/127
 10,426,709 B2 10/2019 Harr
 D866,748 S * 11/2019 Khabiri D24/108
 2003/0062049 A1 * 4/2003 Kolobow A61M 16/04
 128/207.14
 2003/0212381 A1 11/2003 Whitehead, III
 2005/0165304 A1 * 7/2005 Albertelli A61M 16/0833
 600/431
 2006/0173412 A1 8/2006 Susi
 2008/0119822 A1 5/2008 Knauper
 2009/0139530 A1 * 6/2009 Landis A61M 16/0833
 128/207.15
 2010/0057017 A1 3/2010 Pappas
 2012/0123322 A1 5/2012 Scarpaci
 2013/0161470 A1 6/2013 Alvares
 2014/0031784 A1 1/2014 Flynn
 2016/0058673 A1 3/2016 Francis
 2016/0235630 A1 8/2016 Zuijderduin
 2016/0361492 A1 12/2016 Nunez
 2017/0105903 A1 4/2017 Gallotto
 2017/0173257 A1 6/2017 Sarna
 2017/0197026 A1 7/2017 Kesselman
 2018/0207360 A1 7/2018 Juretich
 2018/0234499 A1 8/2018 Borges
 2018/0236168 A1 8/2018 Holderle
 2018/0325373 A1 * 11/2018 Rodger A61B 3/16
 2019/0142699 A1 5/2019 Hudson
 2019/0216688 A1 7/2019 Ganter
 2019/0240397 A1 8/2019 Adams
 2019/0247643 A1 * 8/2019 Merchant A61M 5/1407
 2019/0358387 A1 11/2019 Elbadry

FOREIGN PATENT DOCUMENTS

WO 2008059495 5/2008
 WO 2016152238 9/2016
 WO 2018177765 10/2018
 WO 2019148900 8/2019

OTHER PUBLICATIONS

SideKick Solo, Feeding Tube Stand, <http://sidekicksolo.com/sidekick-solo/>, Accessed on Nov. 6, 2018.

* cited by examiner

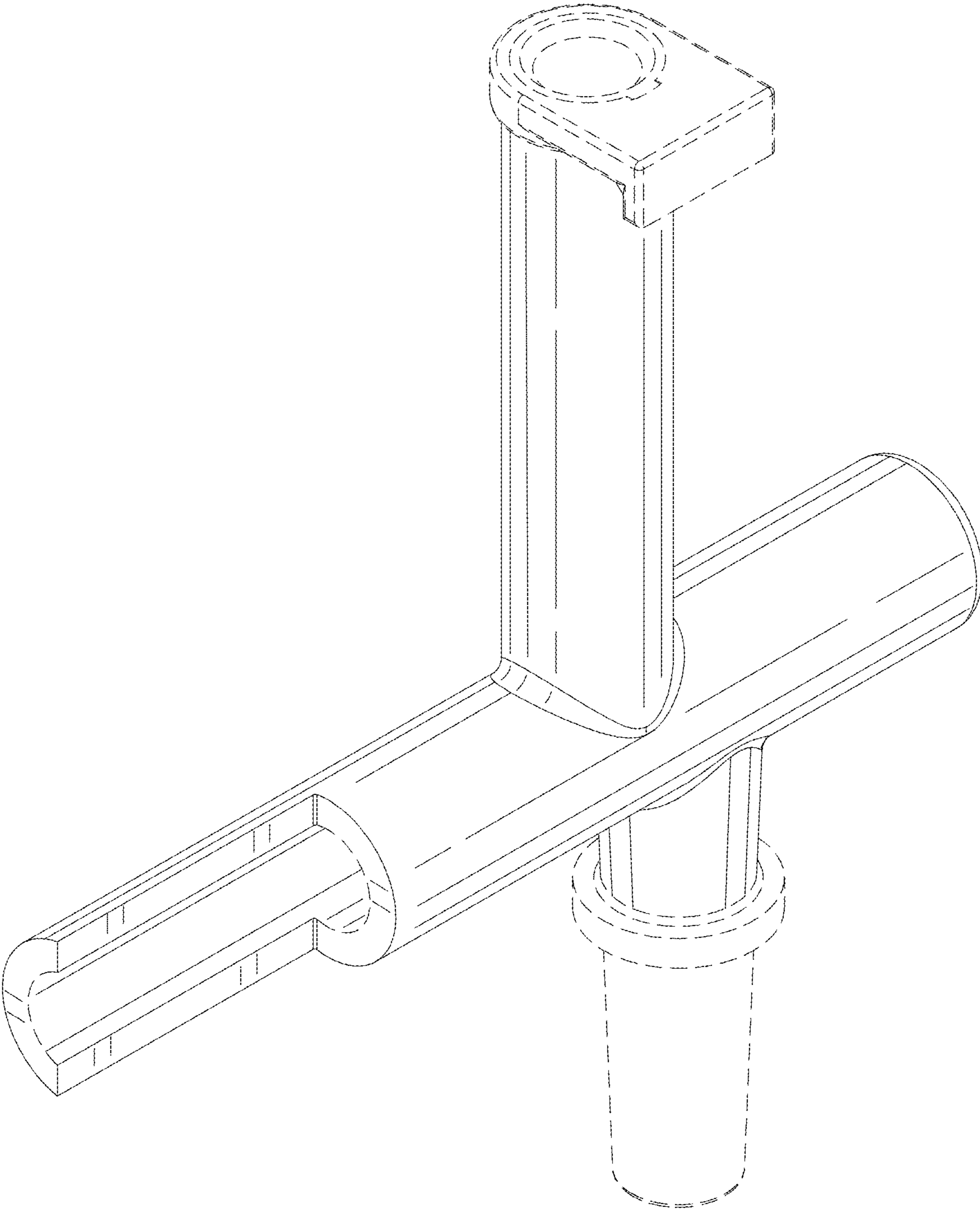


FIG. 1

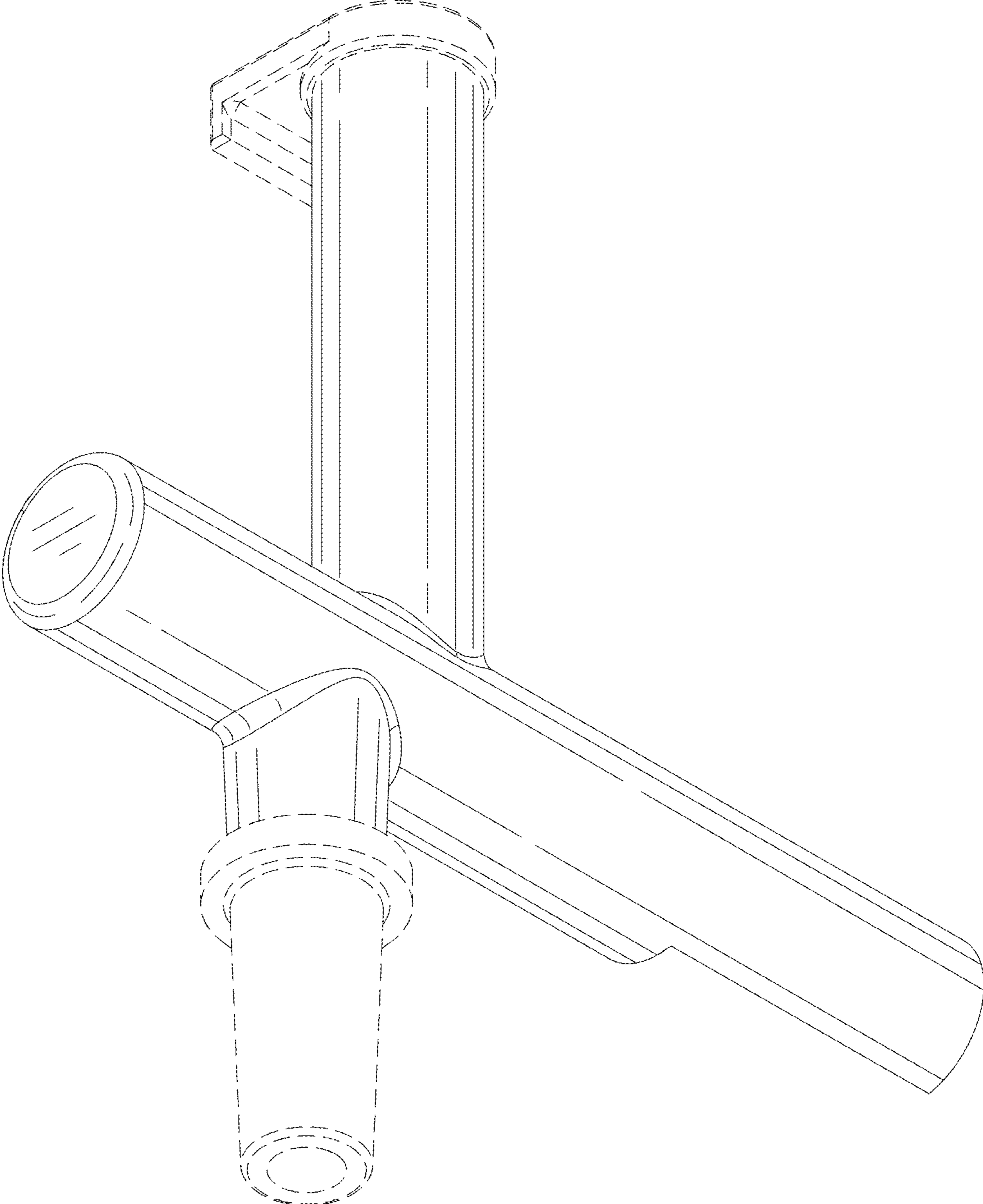


FIG. 2

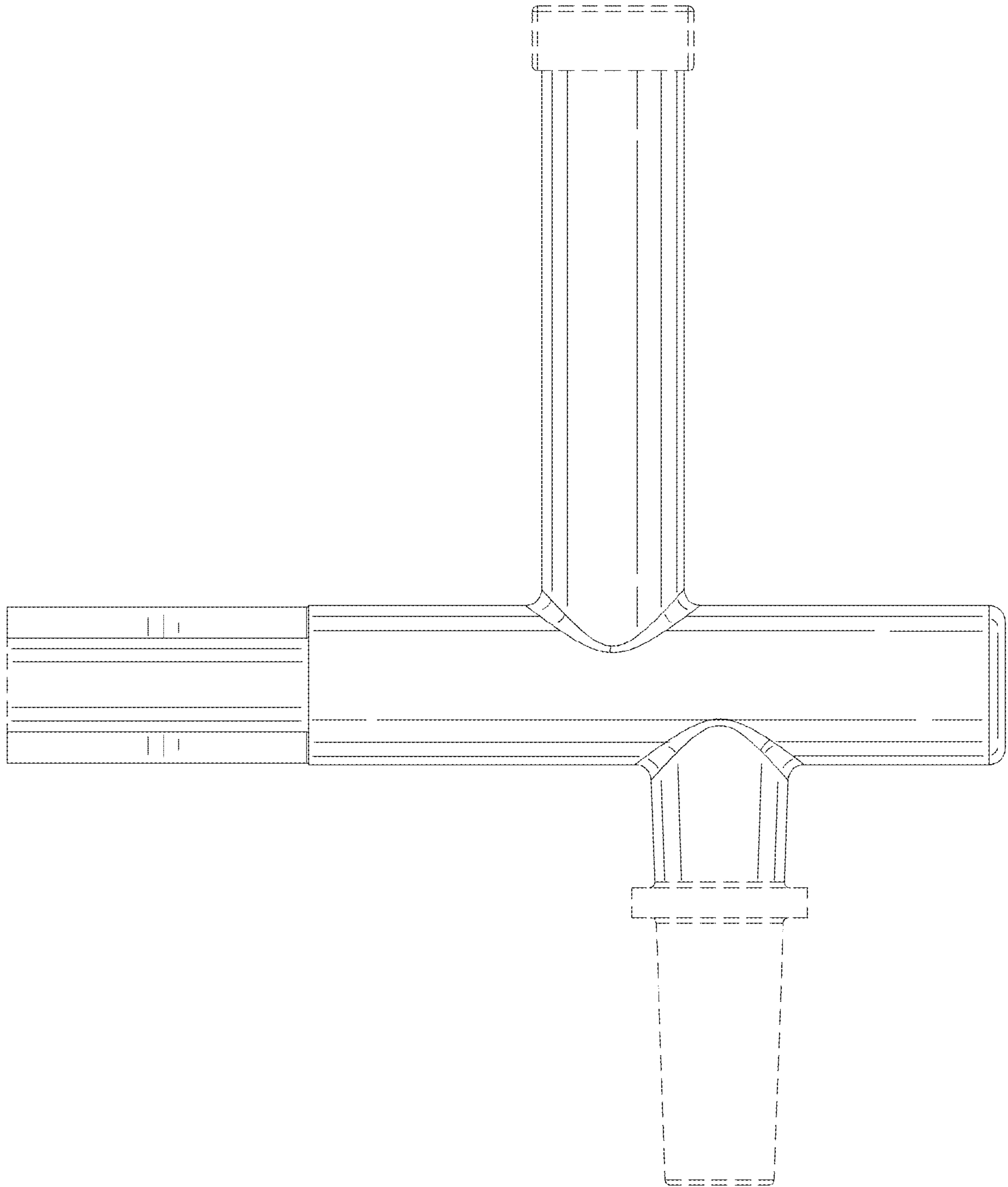


FIG. 3

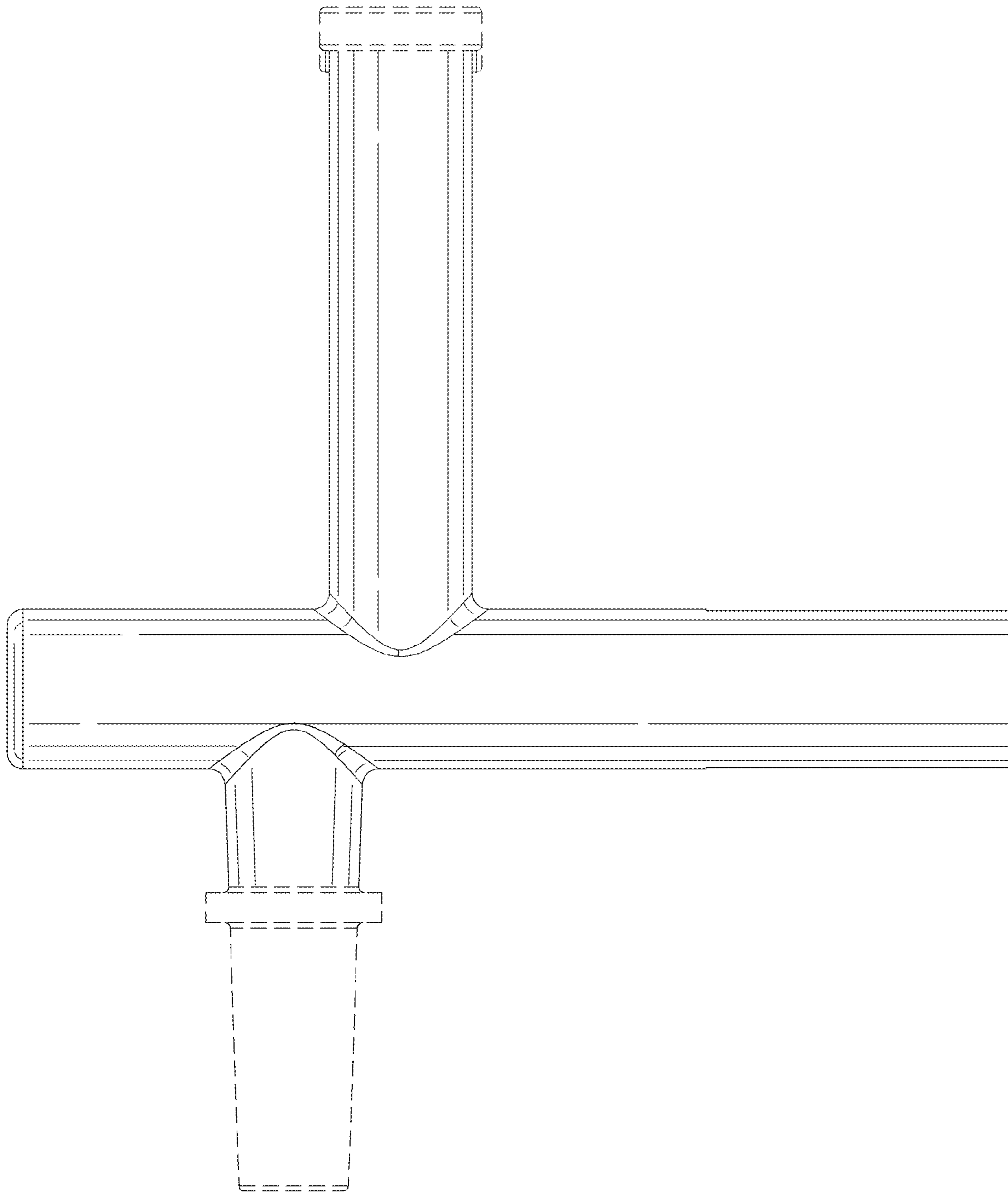


FIG. 4

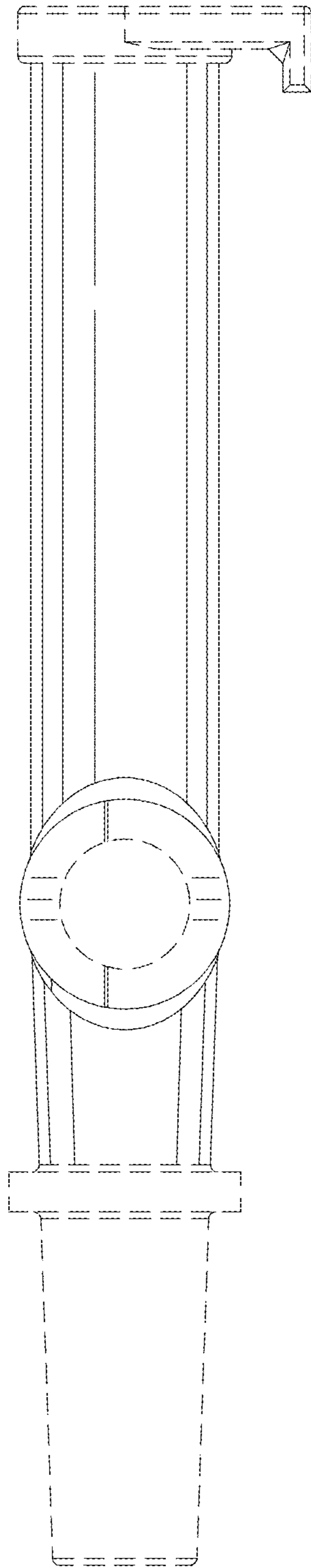


FIG. 5

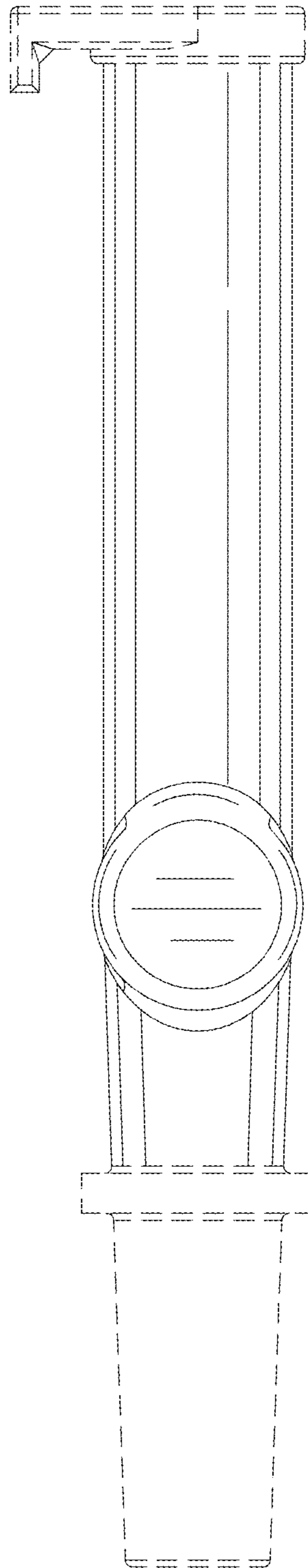


FIG. 6

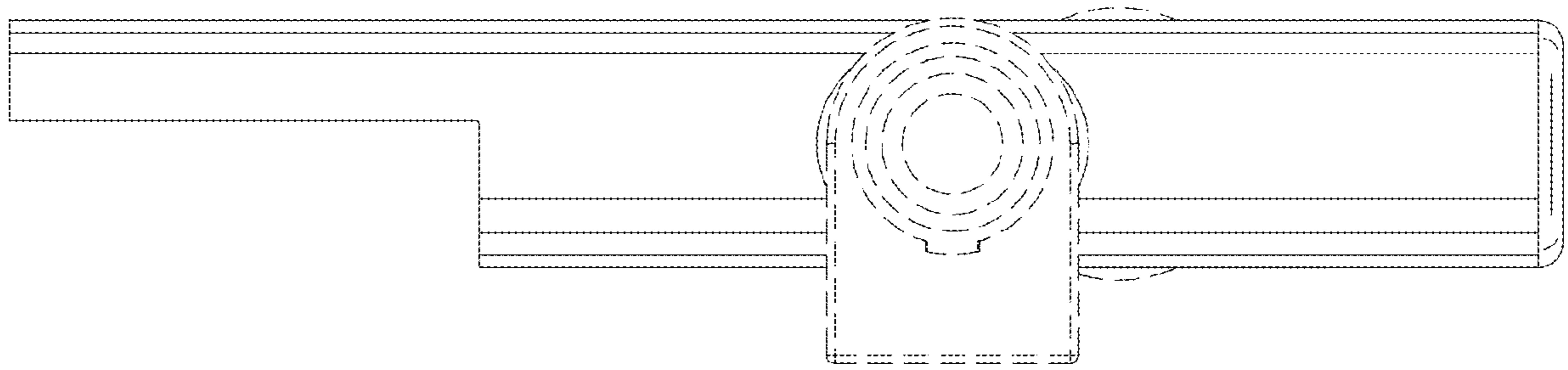


FIG. 7

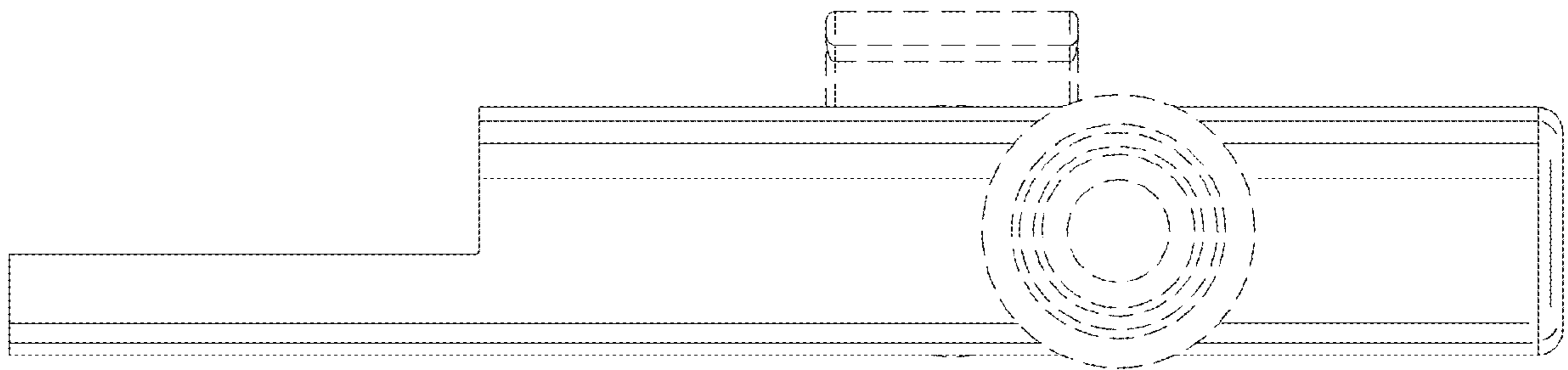


FIG. 8