



US00D920499S

(12) **United States Design Patent**  
**Holmes**

(10) **Patent No.:** **US D920,499 S**

(45) **Date of Patent:** **\*\* May 25, 2021**

(54) **COMBINED CEILING FAN MOTOR HOUSING AND LIGHT KIT**

D344,129 S 2/1994 Markwardt  
D345,790 S 4/1994 Caldwell  
D357,978 S 5/1995 Young

(Continued)

(71) Applicant: **HUNTER FAN COMPANY**,  
Memphis, TN (US)

(72) Inventor: **Christine Holmes**, Memphis, TN (US)

(73) Assignee: **Hunter Fan Company**, Memphis, TN (US)

(\*\*) Term: **15 Years**

(21) Appl. No.: **29/721,132**

(22) Filed: **Jan. 17, 2020**

**Related U.S. Application Data**

(60) Continuation of application No. 29/629,914, filed on Dec. 18, 2017, now Pat. No. Des. 877,314, which is a division of application No. 29/582,298, filed on Oct. 26, 2016, now Pat. No. Des. 810,917.

(51) **LOC (13) Cl.** ..... **23-04**

(52) **U.S. Cl.**  
USPC ..... **D23/411**; D26/59

(58) **Field of Classification Search**  
USPC ... D26/59, 24, 118, 119, 121-124, 128-137;  
D23/370, 377-382, 411-414  
CPC ..... F04D 25/088; F04D 29/38; F21V 21/03;  
B63H 1/16

See application file for complete search history.

(56) **References Cited**

**U.S. PATENT DOCUMENTS**

D290,748 S 7/1987 Kawai  
D297,974 S 10/1988 Sonneman  
D312,139 S 11/1990 Wang  
D314,618 S 2/1991 Yen  
D328,491 S 8/1992 Markwardt  
D328,785 S 8/1992 Markwardt  
D333,867 S 3/1993 Markwardt

**OTHER PUBLICATIONS**

[http://www.montecarlofanlights.com/lighting/7-449-621-0-495322/Monte-Carlo-Fans\\_Vision-Max--56-Ceiling-Fan-with-Light-Kit-3VISMALX.htm](http://www.montecarlofanlights.com/lighting/7-449-621-0-495322/Monte-Carlo-Fans_Vision-Max--56-Ceiling-Fan-with-Light-Kit-3VISMALX.htm), Item Specification for Monte Carlo 3VISMALX 36in Vision Max Ceiling Fan with Light Kit, accessed on Oct. 26, 2016.

(Continued)

*Primary Examiner* — Janice Hallmark

(74) *Attorney, Agent, or Firm* — McGarry Bair PC

(57) **CLAIM**

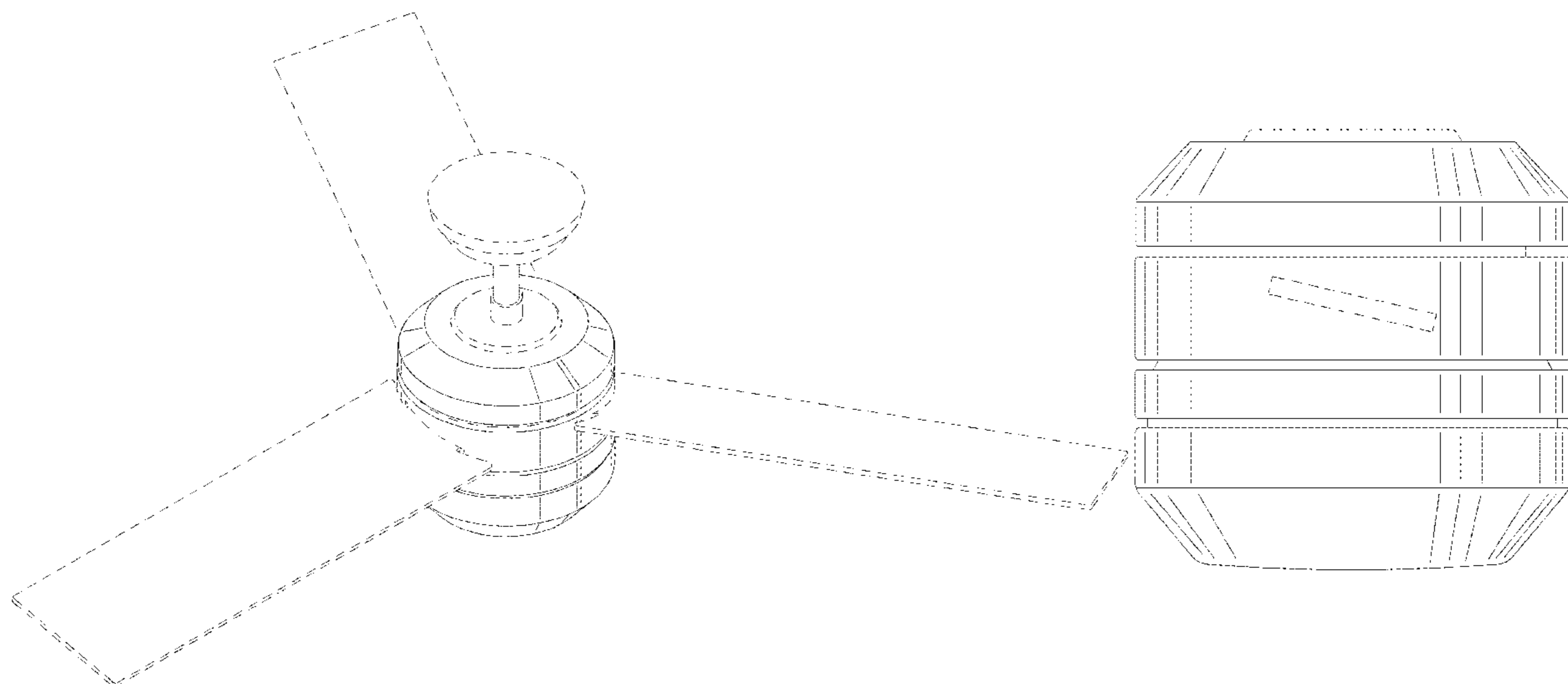
The ornamental design for a combined ceiling fan motor housing and light kit, as shown and described.

**DESCRIPTION**

FIG. 1 is a top perspective view of a combined ceiling fan motor housing and light kit, shown in the environment of a ceiling fan, showing my new design; FIG. 2 is a bottom perspective view of the combined ceiling fan motor housing and light kit of FIG. 1, shown with the ceiling fan environment removed; FIG. 3 is a top view thereof; FIG. 4 is a bottom view thereof; FIG. 5 is a front view thereof; FIG. 6 is a rear view thereof; FIG. 7 is a right side view thereof; and, FIG. 8 is a left side view thereof.

Portions of the combined ceiling fan motor housing and light kit, and portions of the ceiling fan environment are shown in broken lines. Portions shown in broken lines form no part of the claimed design. Unshaded portions of the combined ceiling fan motor housing and light kit adjacent to solid lines form no portion of the claimed design.

**1 Claim, 8 Drawing Sheets**



(56)

References Cited

U.S. PATENT DOCUMENTS

D453,216 S 1/2002 Gajewski  
 D547,436 S 7/2007 Shurtleff  
 D584,810 S 1/2009 Pickett  
 D595,004 S 6/2009 Pan  
 D627,053 S 11/2010 Pan  
 D627,873 S 11/2010 Pan  
 D627,874 S 11/2010 Pan  
 D628,688 S 12/2010 Pan  
 D632,384 S 2/2011 Pan  
 D704,819 S 5/2014 Wang  
 D706,406 S 6/2014 Wang  
 D706,477 S 6/2014 Wang  
 D706,919 S 6/2014 Wang  
 D706,970 S 6/2014 Wang  
 D707,336 S 6/2014 Pan  
 D707,344 S 6/2014 Wang  
 D744,081 S 11/2015 Wang  
 D744,082 S 11/2015 Wang  
 D744,634 S 12/2015 Wang  
 D751,187 S 3/2016 Dolan  
 D759,799 S 6/2016 Wang  
 D771,794 S 11/2016 Wang  
 D782,025 S \* 3/2017 Pickett ..... D23/411  
 D782,644 S 3/2017 Wang  
 D783,797 S 4/2017 Badarello et al.  
 D788,283 S 5/2017 Busta  
 D788,286 S 5/2017 Busta  
 D801,515 S 10/2017 Wang  
 D810,270 S 2/2018 Wang  
 D810,917 S \* 2/2018 Holmes ..... D23/377  
 D826,395 S 8/2018 McRoberts et al.  
 D838,356 S 1/2019 Hagggar  
 D838,357 S 1/2019 Hagggar  
 D855,172 S 7/2019 Holmes  
 D873,405 S \* 1/2020 McRoberts ..... D23/377  
 D873,987 S \* 1/2020 Biancuzzo ..... D23/377  
 D874,634 S \* 2/2020 Hagggar ..... D23/377  
 D875,914 S \* 2/2020 Hagggar ..... D23/377  
 D877,313 S \* 3/2020 Wang ..... D23/377  
 D877,314 S \* 3/2020 Holmes ..... D23/411  
 D896,363 S \* 9/2020 Wang ..... D23/411

D899,581 S \* 10/2020 Holmes ..... D23/411  
 D903,916 S \* 12/2020 McRoberts ..... D26/59  
 D904,597 S \* 12/2020 O'Connell ..... D23/411  
 2005/0249598 A1 11/2005 Young

OTHER PUBLICATIONS

<http://www.minkagroup.net/all-collections?keys=F531-L-BN>, Item Specification for Minka Aire Flyte F531-L-BN Ceiling Fan, accessed on Oct. 26, 2016.  
<https://www.lightingdirect.com/fanimation-zonix-led-54-3-blade-fansync-compatible-ceiling-fan-blades-led-light-kit-and-remote-control-included/p2444160>, Item Specification for Fanimation FP4650BN Brushed Nickel 54in Ceiling Fan, accessed on Oct. 26, 2016.  
<http://www.kichler.com/products/product/arkwright-ceiling-fan-obb-300146obb.aspx>, Item Specification for Kichler 300146PN Ceiling Fan, accessed on Oct. 26, 2016.  
<http://www.craftmade.com/Ellington-Fans-BEL52BNK3CRW-Nickel-Ceiling-Fan.HTM>, Item Specification for Craftmade BEL52BNK3CRW—Beltre Ceiling Fan, accessed on Oct. 26, 2016.  
[http://www.emersonfanexperts.com/lighting/7-449-621-0-415680/Emerson-Fans\\_Highrise---50--Ceiling-Fan-CF430BS.htm](http://www.emersonfanexperts.com/lighting/7-449-621-0-415680/Emerson-Fans_Highrise---50--Ceiling-Fan-CF430BS.htm), Item Specification for Emerson CF430BS Highrise 50in Ceiling Fan, accessed on Oct. 26, 2016.  
<http://www.craftmade.com/Ellington-Fans-LAVH44BP4-Flush-Mount-Ceiling-Fan.HTM>, Item Specification for Craftmade LAVH44BP4 Laval Hugger Fan, accessed on Oct. 26, 2016.  
<http://www.hunterfan.com/Ceiling-Fans/Signal?ModelNumber=59224>, Item Specification for Hunter Signal 54in Model 59224 Fan, accessed on Oct. 26, 2016.  
<http://www.homedepot.com/p/Hampton-Bay-Pilot-60-in-and-52-in-Brushed-Nickel-Ceiling-Fan-34313/202075536>, Item Specification for Hampton Bay Pilot Model 34313 Fan, accessed on Oct. 26, 2016.  
<http://www.homedepot.com/p/Hampton-Bay-Marucci-52-in-Brushed-Nickel-Ceiling-Fan-YG464C-BN/206151034>, Item Specification for Hampton Bay Marucci Model YG464C-BN, accessed on Oct. 26, 2016.

\* cited by examiner

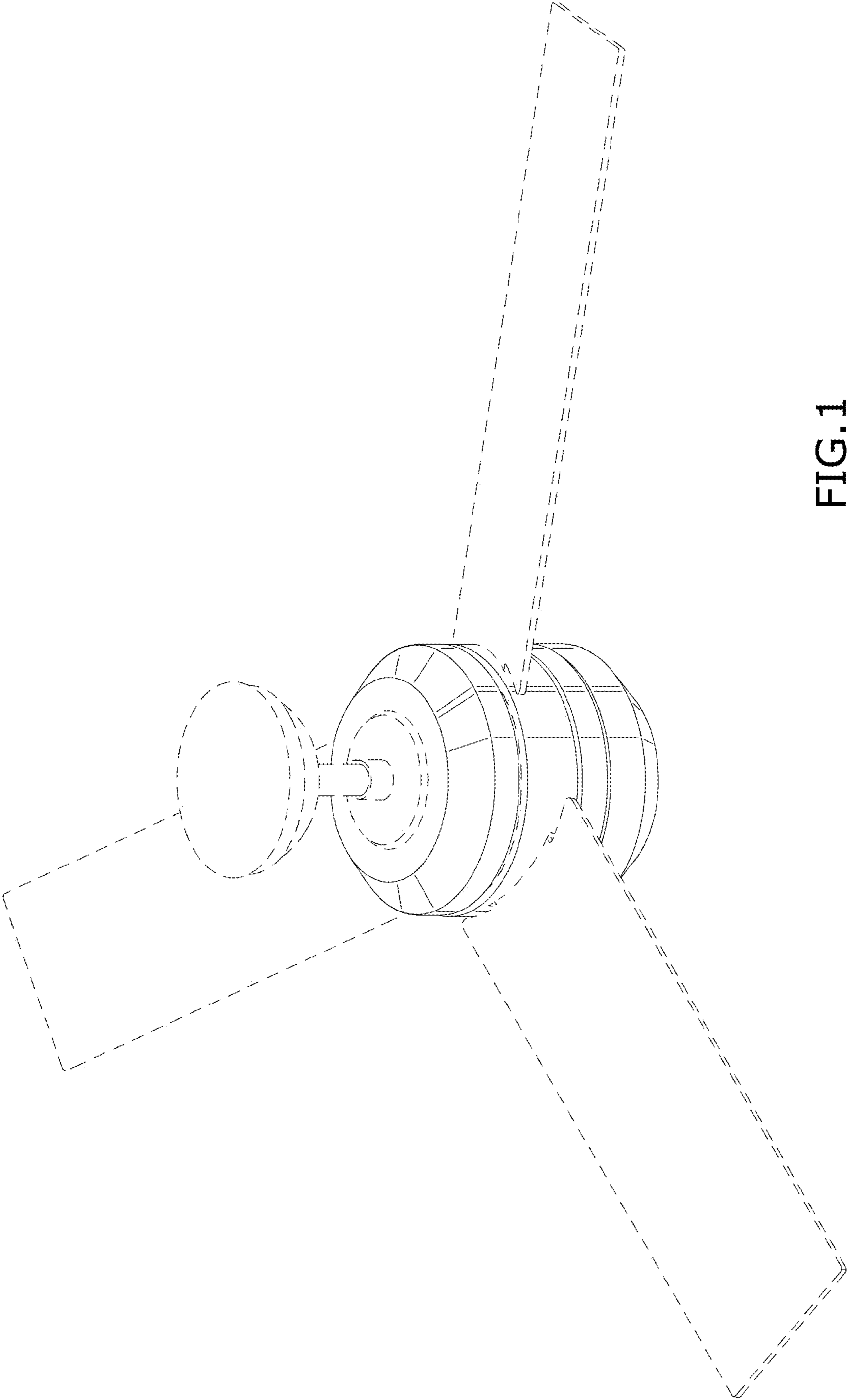


FIG.1

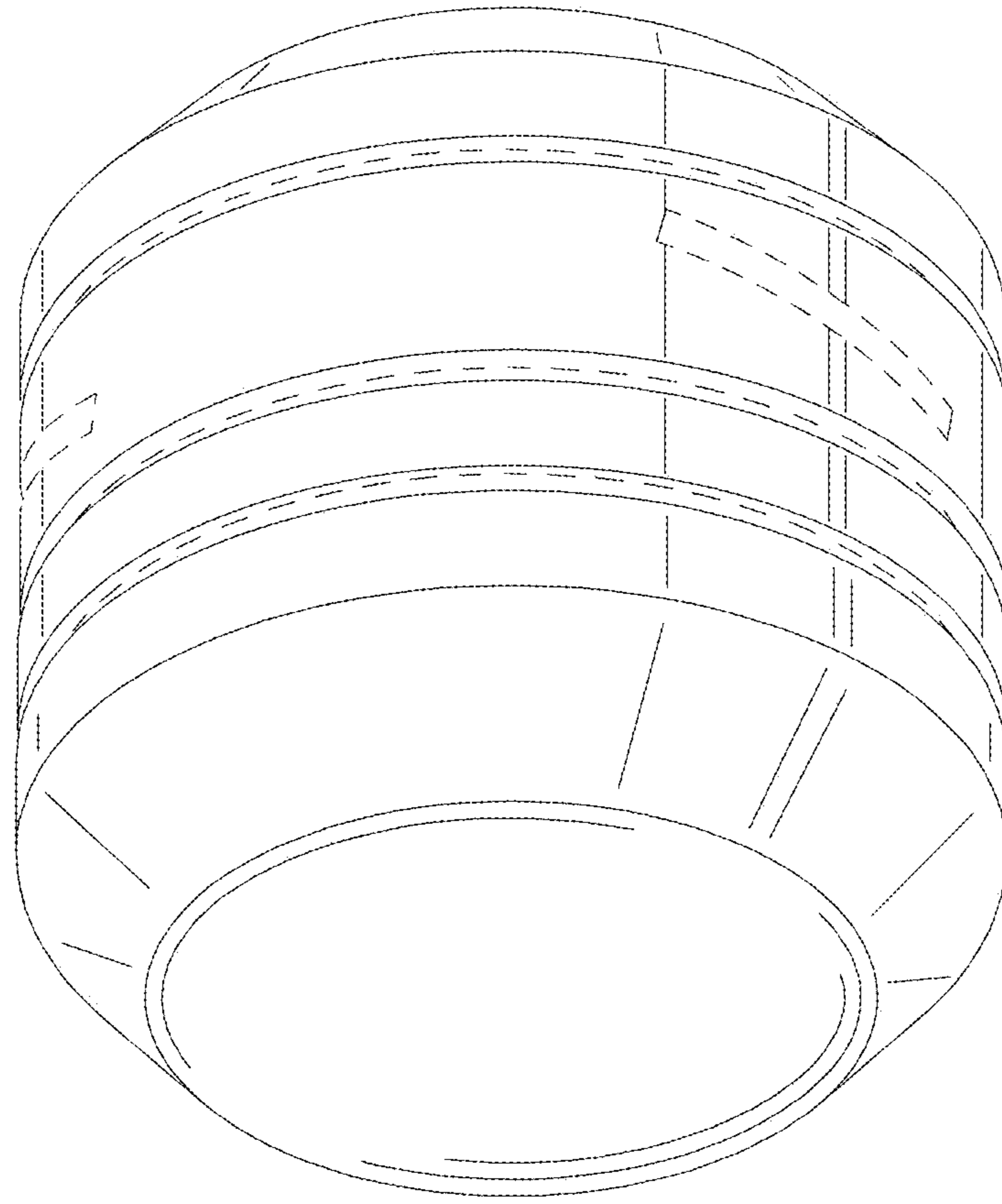


FIG.2

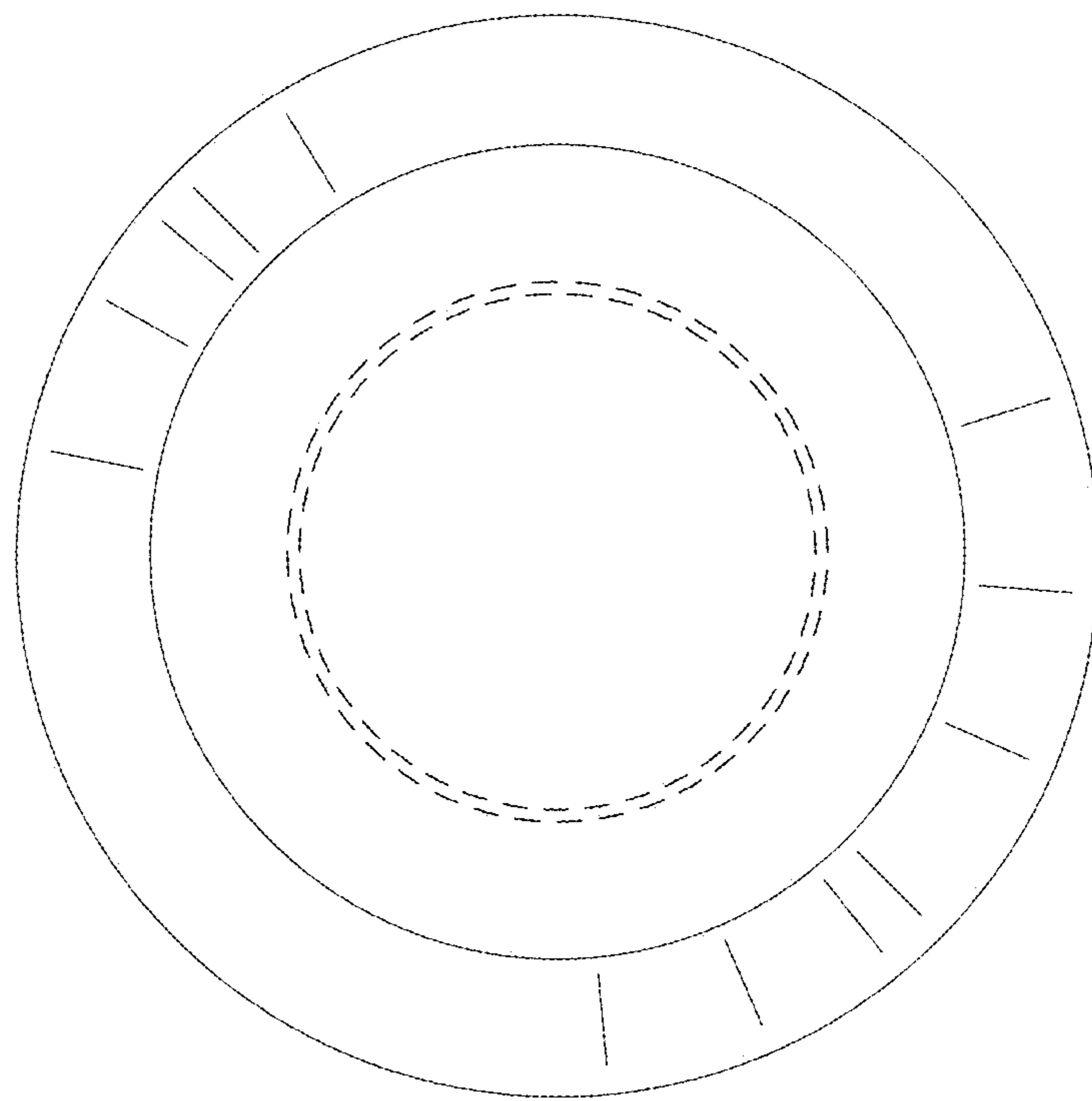


FIG. 3

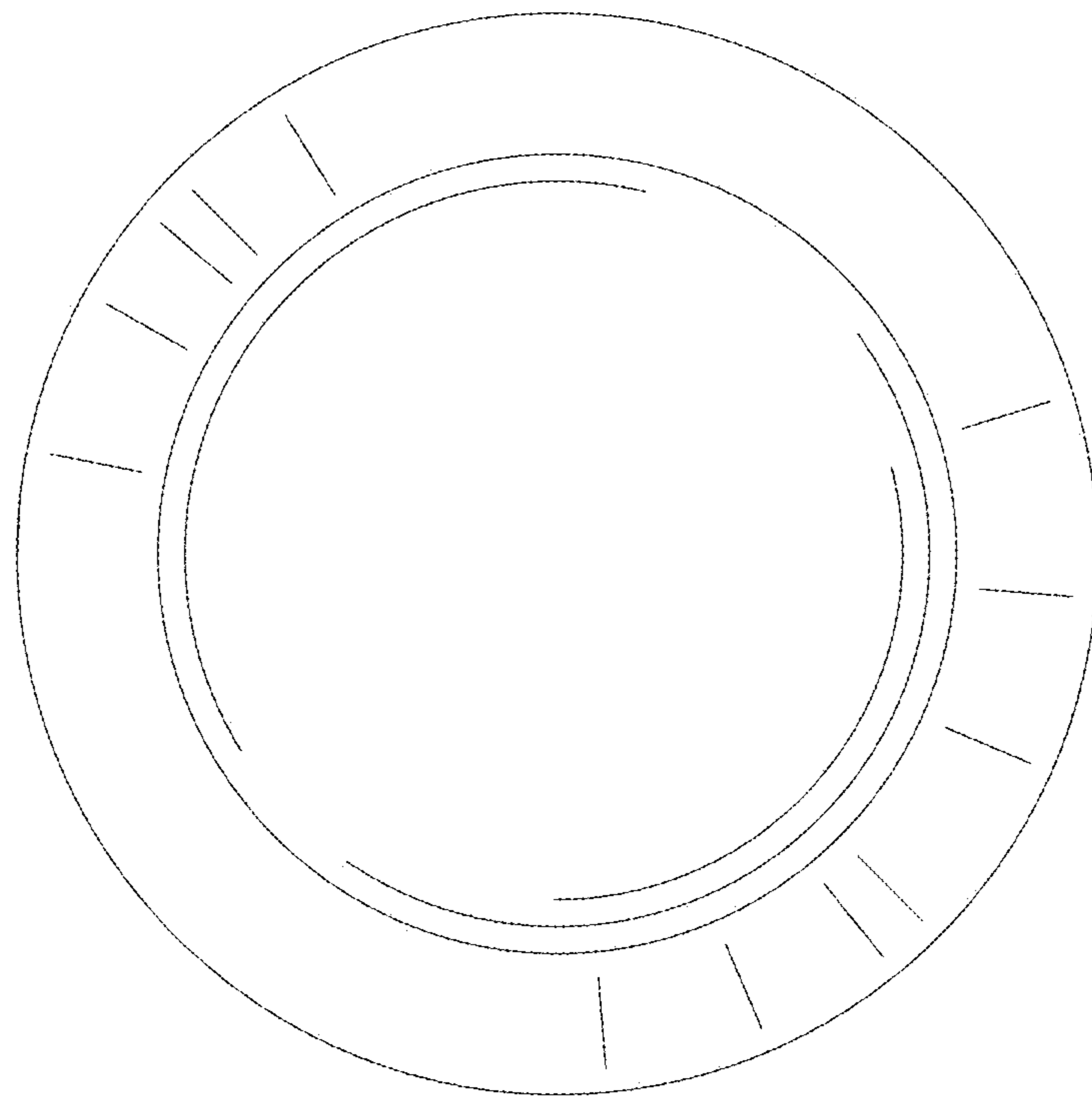


FIG.4

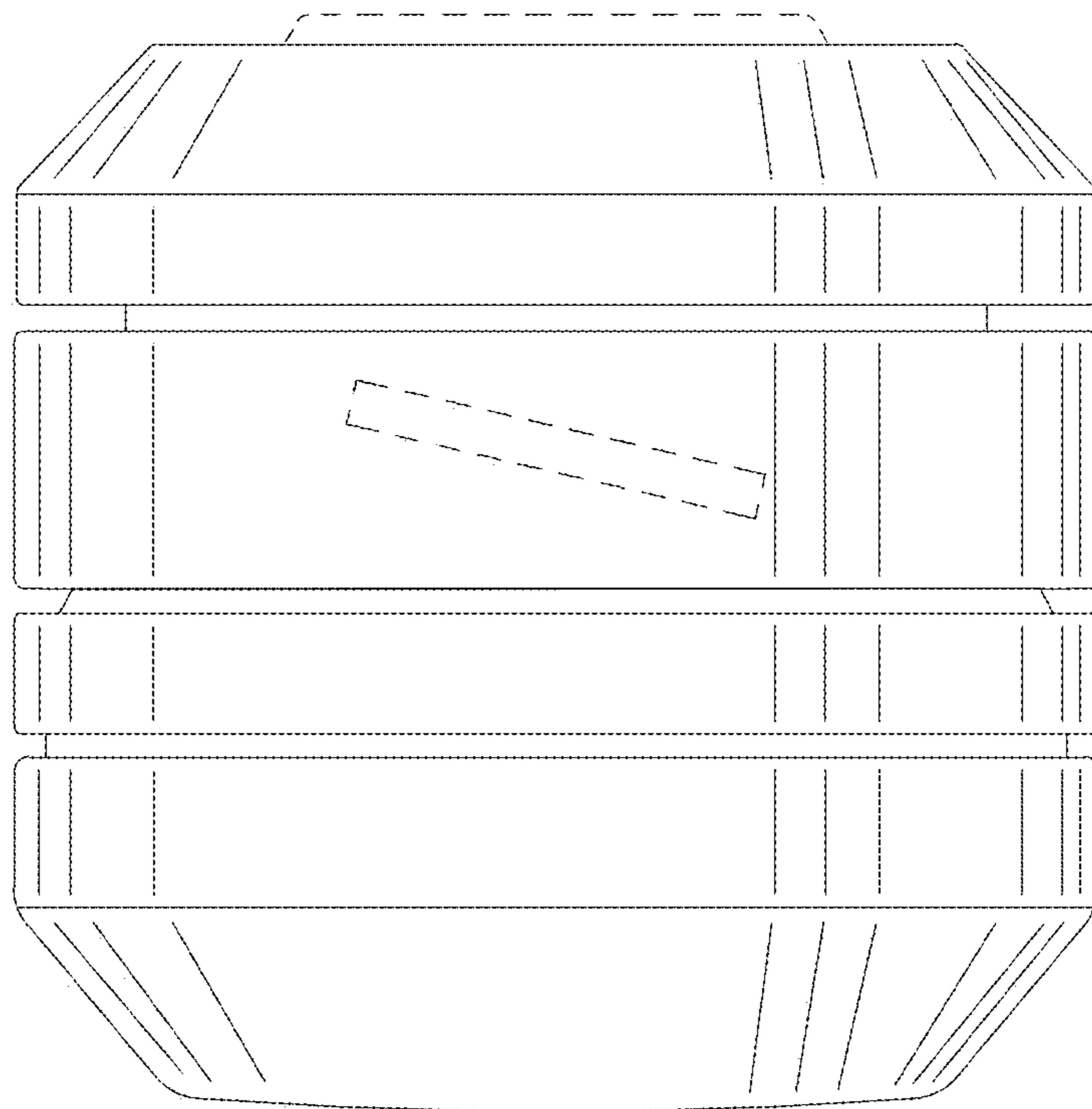


FIG. 5

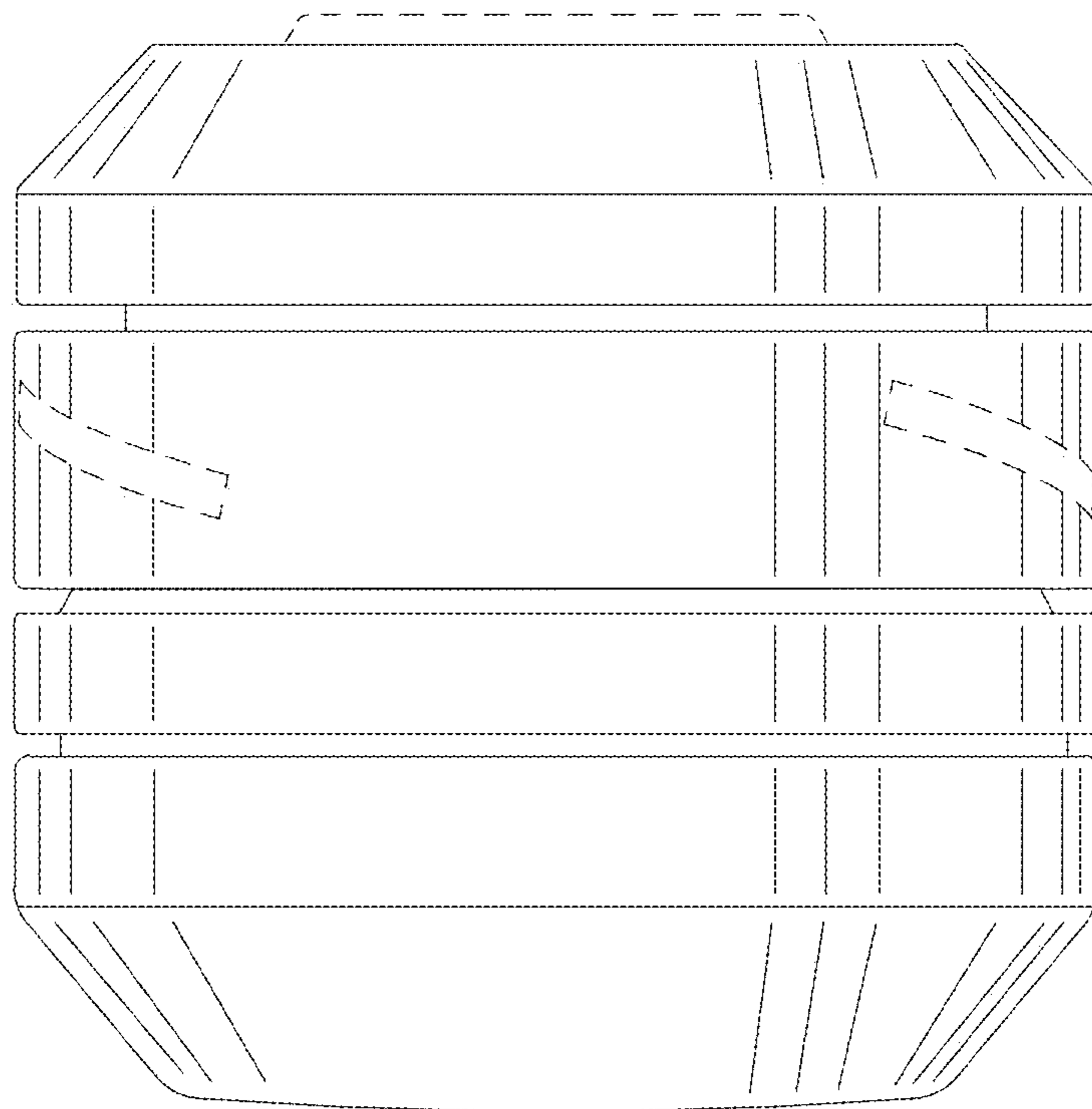


FIG.6



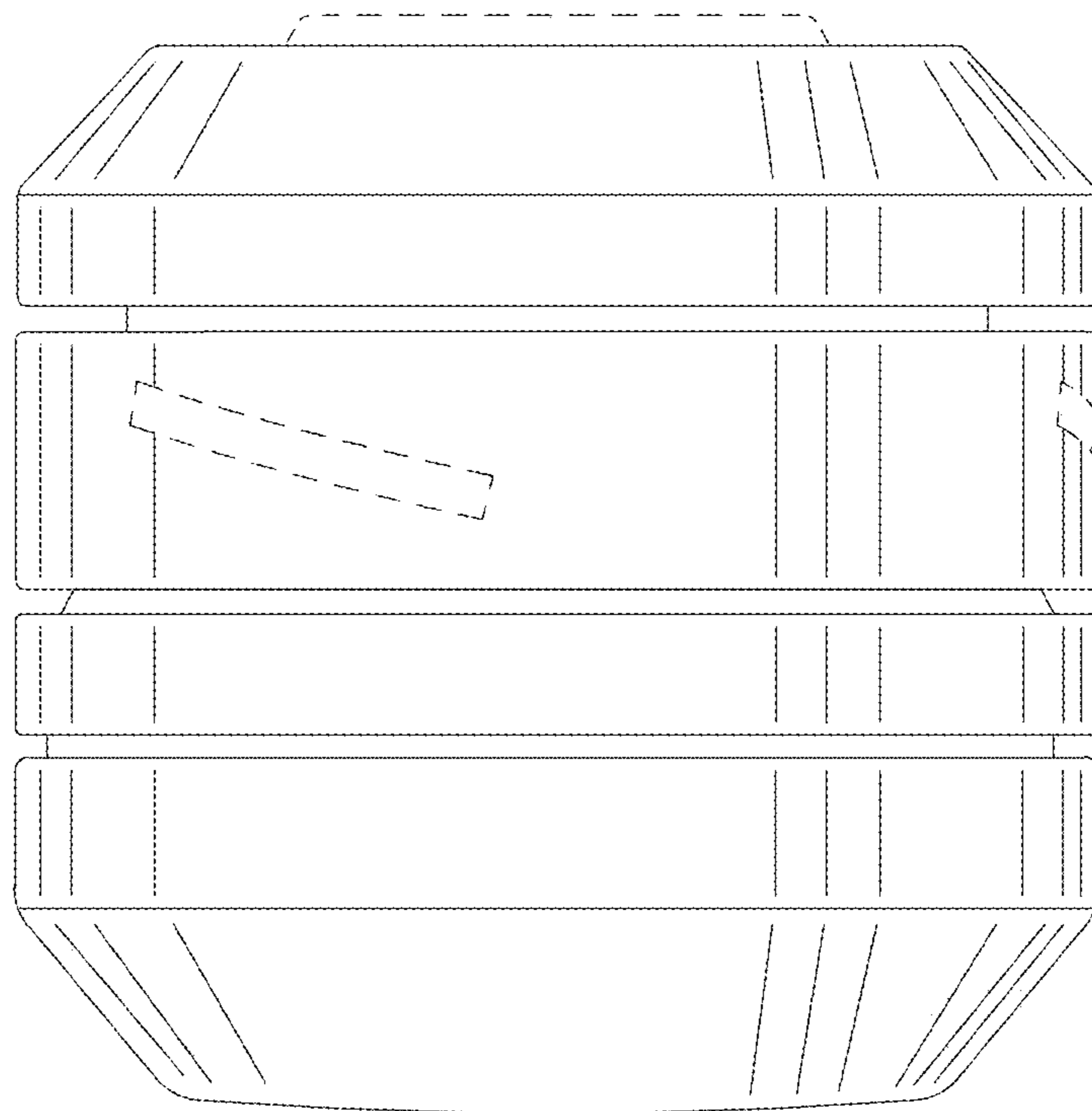


FIG.7

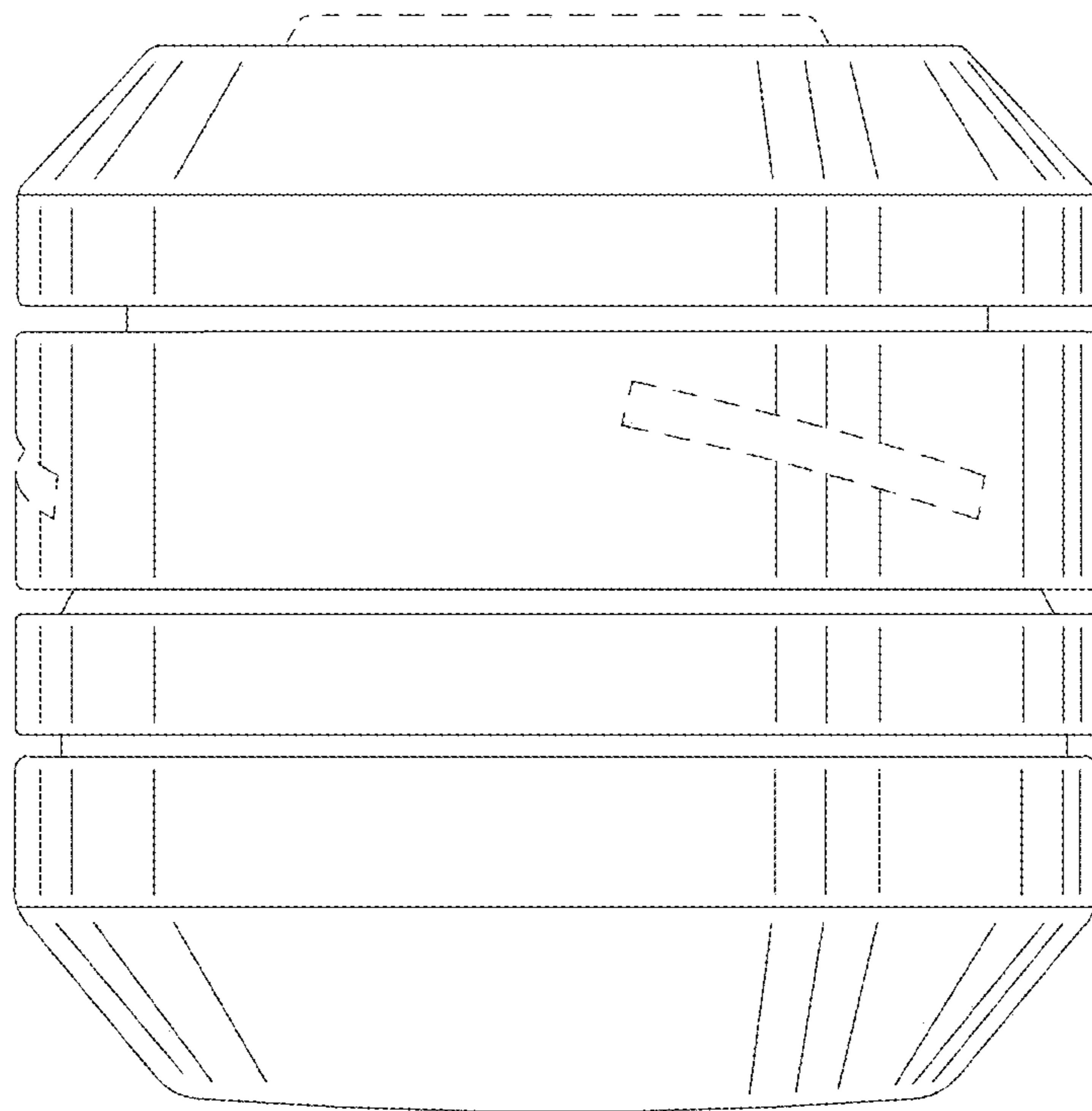


FIG. 8