

US00D920498S

(12) **United States Design Patent**  
**Habig et al.**

(10) **Patent No.:** **US D920,498 S**

(45) **Date of Patent:** **\*\* May 25, 2021**

- (54) **CEILING FAN CAGE BAND**
- (71) Applicant: **HUNTER FAN COMPANY**,  
Memphis, TN (US)
- (72) Inventors: **Dana Vajen Habig**, Cincinnati, OH  
(US); **Claire Bernice McRoberts**,  
Memphis, TN (US)
- (73) Assignee: **Hunter Fan Company**, Memphis, TN  
(US)

- 2,259,853 A 10/1941 Koch
- D134,758 S 1/1943 Fukal
- D187,699 S 4/1960 van Rijn
- 3,223,828 A 12/1965 Mast
- 4,064,427 A \* 12/1977 Hansen ..... F21S 8/065  
362/96
- 4,750,863 A 6/1988 Scoggins
- D315,404 S 3/1991 Dufour
- D374,074 S 9/1996 Chen
- D397,584 S \* 9/1998 Vannello ..... D7/388
- D438,950 S 3/2001 Frampton
- D439,967 S \* 4/2001 Bogazzi ..... D23/382

(Continued)

(\*\*) Term: **15 Years**

(21) Appl. No.: **29/664,876**

(22) Filed: **Sep. 28, 2018**

**Related U.S. Application Data**

(60) Continuation of application No. 29/618,130, filed on  
Sep. 19, 2017, now abandoned, which is a division of  
application No. 29/557,344, filed on Mar. 8, 2016,  
now Pat. No. Des. 804,645.

(51) **LOC (13) Cl.** ..... **23-03**

(52) **U.S. Cl.**  
USPC ..... **D23/411**

(58) **Field of Classification Search**  
USPC ..... D23/370–385, 411–414; D26/59, 85, 86,  
D26/89, 90; D9/500–505; D7/553.6,  
D7/554.2, 633; D11/4, 17, 152  
CPC ..... F04D 25/088; F04D 29/38; F04D 29/384;  
F04D 29/386; F21V 33/0096  
See application file for complete search history.

(56) **References Cited**

**U.S. PATENT DOCUMENTS**

- D45,313 S \* 2/1914 Schoenhardt ..... D26/88
- 2,017,431 A \* 10/1935 Anderson ..... F04D 29/703  
416/247 R
- D128,142 S 7/1941 Moskowitz
- D129,362 S \* 9/1941 Pieper ..... D26/88

**OTHER PUBLICATIONS**

<http://www.homedepot.com/p/Designers-Choice-Collection-Enclave-23-in-Natural-Iron-Ceiling-Fan-AC17723-NI/203023308>, Item Specification for the Designers Choice Collection Enclave Model # AC17723-NI Internet # 203023308 Enclave 23 in. Natural Iron Ceiling Fan, accessed Mar. 8, 2016.

(Continued)

*Primary Examiner* — Lilyana Bekic

*Assistant Examiner* — Sharon S Oum

(74) *Attorney, Agent, or Firm* — McGarry Bair PC

(57) **CLAIM**

The ornamental design for a ceiling fan cage band, as shown and described.

**DESCRIPTION**

FIG. 1 is a top perspective view of a ceiling fan cage band showing our new design, shown in the environment of a ceiling fan;

FIG. 2 is a bottom perspective view thereof;

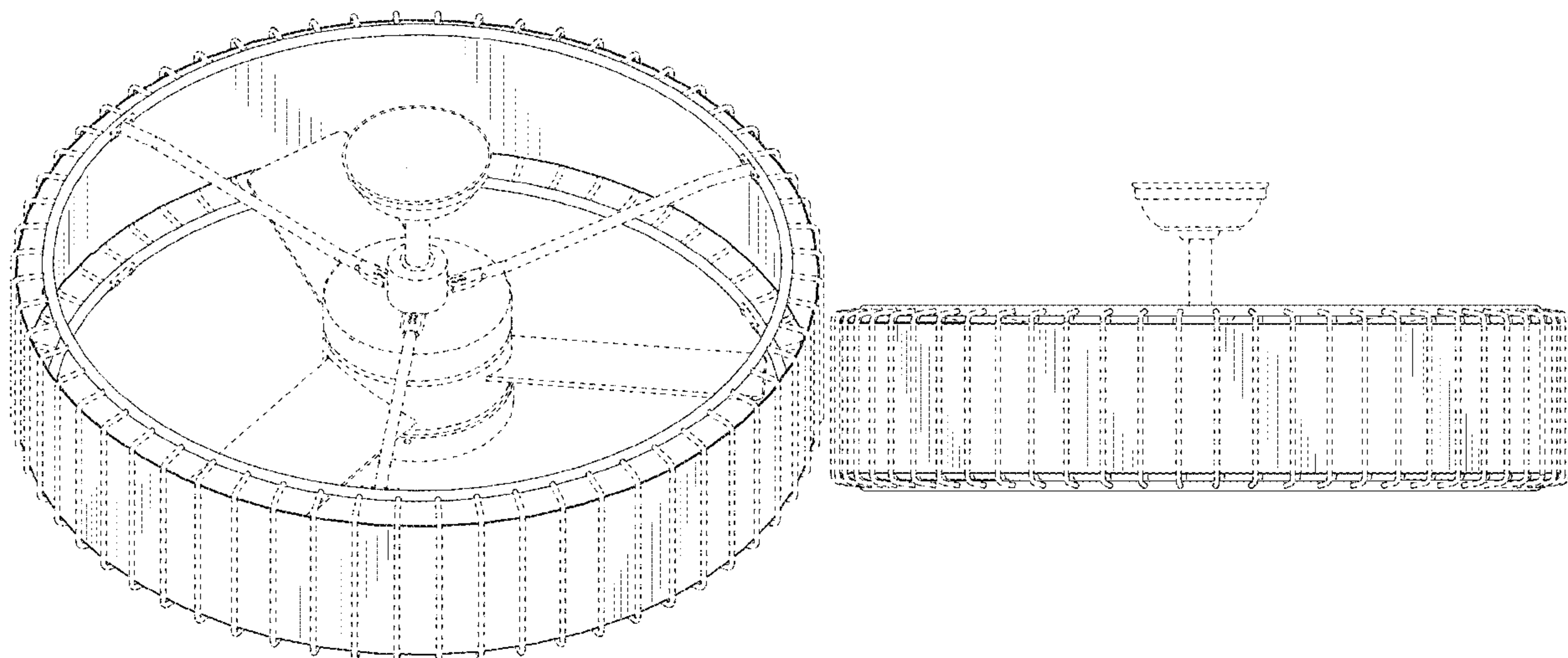
FIG. 3 is a top view thereof;

FIG. 4 is a bottom view thereof; and,

FIG. 5 is a side view thereof;

The broken lines illustrate environmental structure and form no part of the claimed design.

**1 Claim, 5 Drawing Sheets**



(56)

References Cited

U.S. PATENT DOCUMENTS

D448,841 S 10/2001 Campbell  
 D453,960 S 2/2002 Shelby et al.  
 D459,525 S \* 6/2002 Barry ..... D26/73  
 D482,112 S 11/2003 Miller  
 D559,471 S 1/2008 Dye, Jr.  
 D566,474 S \* 4/2008 Ray ..... D7/554.1  
 D579,102 S 10/2008 Leung et al.  
 D596,737 S 7/2009 Pan  
 D599,471 S \* 9/2009 Borovicka ..... D23/412  
 D605,333 S \* 12/2009 Miranda ..... D26/88  
 D606,233 S \* 12/2009 Benghozi ..... D26/88  
 D619,238 S 7/2010 Hidalgo  
 D621,087 S 8/2010 Nagane et al.  
 D632,003 S \* 2/2011 Jordan ..... D26/88  
 D635,237 S 3/2011 Fizer  
 D643,957 S \* 8/2011 Verelst ..... D26/65  
 D662,952 S 7/2012 Kirk et al.  
 D671,633 S 11/2012 Glasbrenner  
 D671,676 S \* 11/2012 Komarov ..... D26/90  
 D676,543 S 2/2013 Hiner et al.  
 D684,307 S \* 6/2013 Teller ..... D26/118  
 D686,771 S \* 7/2013 Lastimoso ..... D26/88  
 D687,533 S 8/2013 Tang et al.  
 D698,914 S 2/2014 Love et al.  
 D698,915 S 2/2014 Christopher et al.  
 D698,983 S 2/2014 Rampolla et al.  
 D703,805 S 4/2014 Masciarella et al.  
 D715,904 S 10/2014 Tate et al.  
 D728,842 S 5/2015 Arola Ferrer  
 D743,522 S 11/2015 Pan  
 D771,235 S 11/2016 Hoff et al.  
 D775,321 S 12/2016 Haaf et al.  
 D777,312 S 1/2017 Badarello et al.  
 D779,049 S 2/2017 Wang  
 D789,507 S 6/2017 Badarello et al.  
 D804,645 S \* 12/2017 Habig ..... D23/411  
 D814,877 S \* 4/2018 Schiller ..... D7/601  
 D873,469 S \* 1/2020 Nielsen ..... D26/89  
 2007/0247854 A1 \* 10/2007 Lin ..... F04D 25/088  
 362/294  
 2008/0107529 A1 \* 5/2008 Friedman ..... F04D 25/088  
 416/210 R  
 2009/0072108 A1 \* 3/2009 Oleson ..... F04D 25/088  
 248/282.1

2011/0165002 A1 7/2011 Noble  
 2015/0308440 A1 10/2015 Yang  
 2016/0341498 A1 11/2016 Lynn et al.  
 2016/0363313 A1 12/2016 Wang  
 2017/0198700 A1 \* 7/2017 Almishari ..... F04D 25/06

OTHER PUBLICATIONS

<http://www.montecarlofans.com/33328/20-Brighton-Court---Oil-Rubbed-Bronze-5BCTR20OZ.html>, Item Specification for the Monte Carlo Brighton Court Collection Product #: 5BCTR20OZ, accessed Mar. 8, 2016.  
<http://www.menards.com/main/lighting-fans/kitchen-lighting-ceiling-fans/residential-fans/turn-of-the-century-athens-21-in-new-bronze-ceiling-fan/p-2236468-c-14295.htm?tid=8790705480120437765>, Item Specification for the Turn of the Century Athens 21" New Bronze Ceiling Fan Model No. fn7045nz Menards® SKU: 3557045, accessed Mar. 8, 2016.  
 Hunter 59255 30" Vault Ceiling Fan with Handheld Remote, date first available Feb. 29, 2016, amazon.com, site visited Aug. 30, 2017, Copyright © 1996-2017, [https://www.amazon.com/Hunter-59255-Ceiling-Handheld-Remote/dp/B01CDGOJ8Q/ref=sr\\_1\\_1?ie=UTF8&qid=1504124734&sr=8-1&keywords=hunter+ceiling+fan+vault](https://www.amazon.com/Hunter-59255-Ceiling-Handheld-Remote/dp/B01CDGOJ8Q/ref=sr_1_1?ie=UTF8&qid=1504124734&sr=8-1&keywords=hunter+ceiling+fan+vault).  
 Fonderie 16" Wide Rusty Bronze Foyer Pendant, date first available Apr. 20, 2017, amazon.com, site visited Sep. 1, 2017 Copyright © 1996-2017, [https://www.amazon.com/Fonderie-Rusty-Bronze-Foyer-Pendant/dp/B01HSOE11O/ref=sr\\_1\\_21?ie=UTF8&qid=1504299171&sr=8-21&keywords=cage+drum+fixture](https://www.amazon.com/Fonderie-Rusty-Bronze-Foyer-Pendant/dp/B01HSOE11O/ref=sr_1_21?ie=UTF8&qid=1504299171&sr=8-21&keywords=cage+drum+fixture).  
 Kendall Lighting AC17723-NI Enclave 23-Inch Ceiling Fan, date first available Jul. 29, 2011, amazon.com, site visited Sep. 1, 2017, Copyright © 1996-2017, [https://www.amazon.com/Kendal-Lighting-AC-17723-NI-Enclave-Integrated/dp/B007VJ1250/ref=sr\\_1\\_22?ie=UTF8&qid=1504299370&sr=8-22&keywords=cage+drum+fixture](https://www.amazon.com/Kendal-Lighting-AC-17723-NI-Enclave-Integrated/dp/B007VJ1250/ref=sr_1_22?ie=UTF8&qid=1504299370&sr=8-22&keywords=cage+drum+fixture).  
 Fanimation Beckwith, date first available Jul. 12, 2013, amazon.com, site visited Sep. 1, 2017, Copyright © 1996-2017, [https://www.amazon.com/Fanimation-Beckwith-Brushed-Frosted-FP7964BN/dp/BOOEQCV6Nref=pd\\_sbs\\_60\\_7?encoding=UTF8&psc=1&refRID=Y9T28JTKTG8AQXVK2STE](https://www.amazon.com/Fanimation-Beckwith-Brushed-Frosted-FP7964BN/dp/BOOEQCV6Nref=pd_sbs_60_7?encoding=UTF8&psc=1&refRID=Y9T28JTKTG8AQXVK2STE).

\* cited by examiner



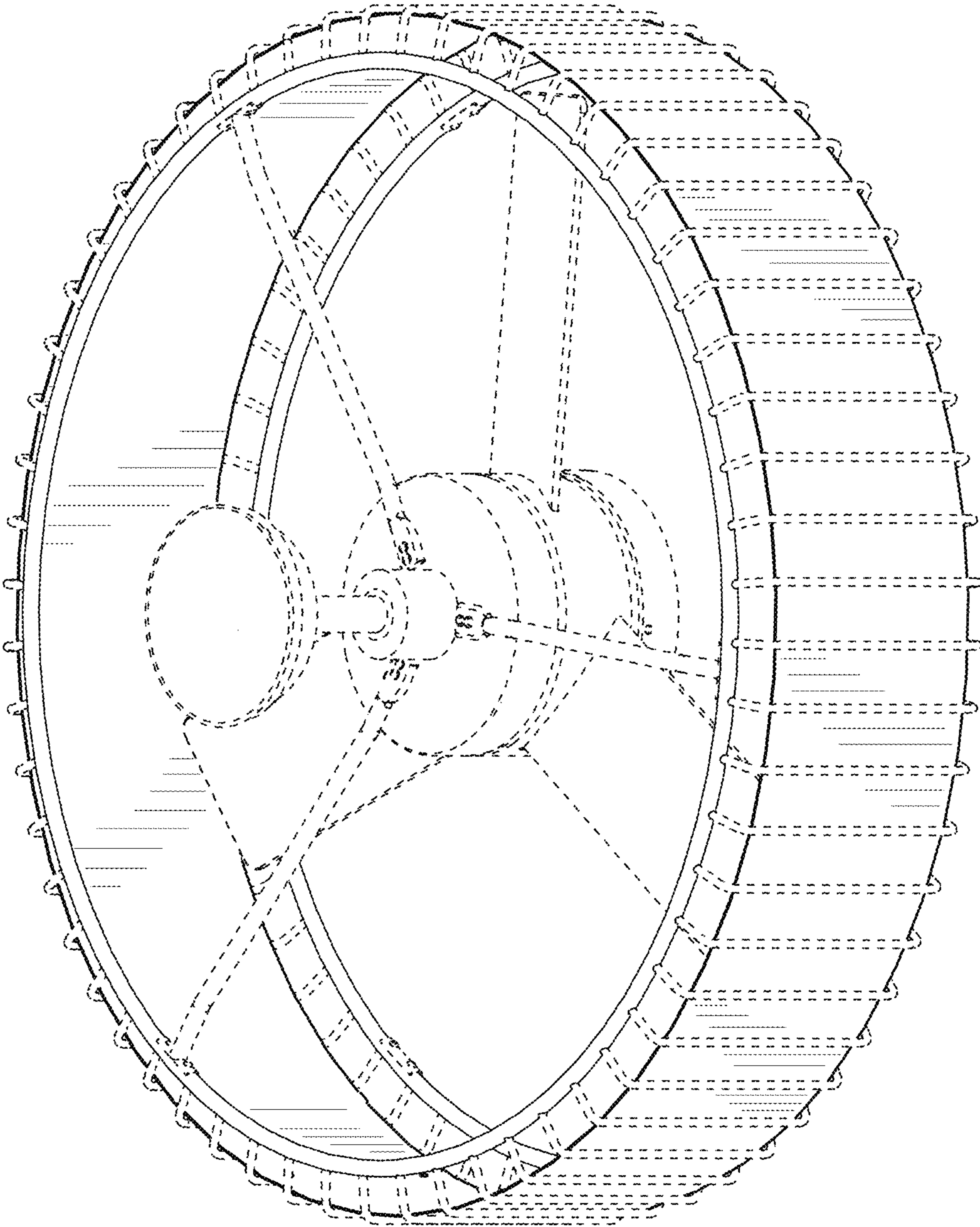


FIG. 1

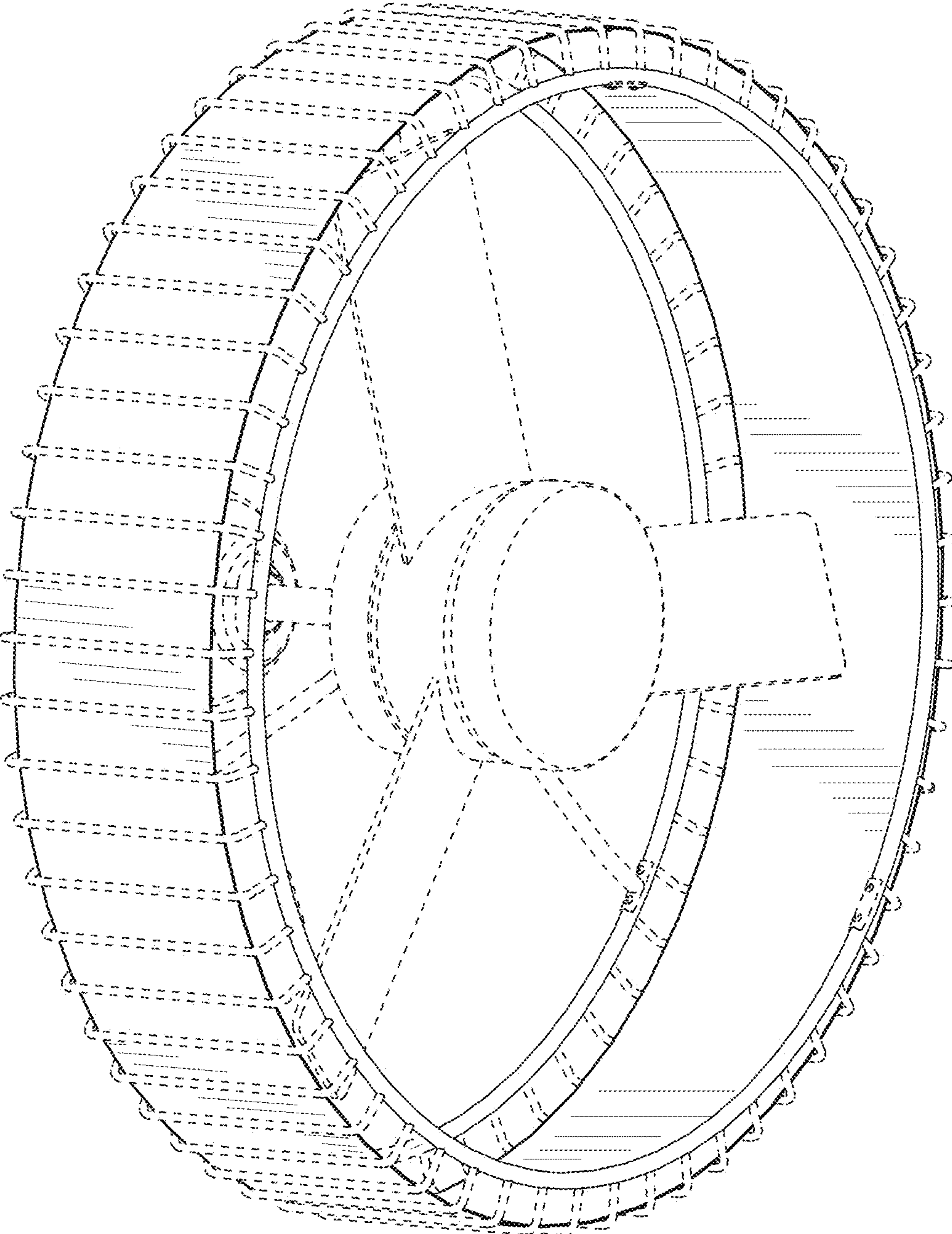


FIG. 2

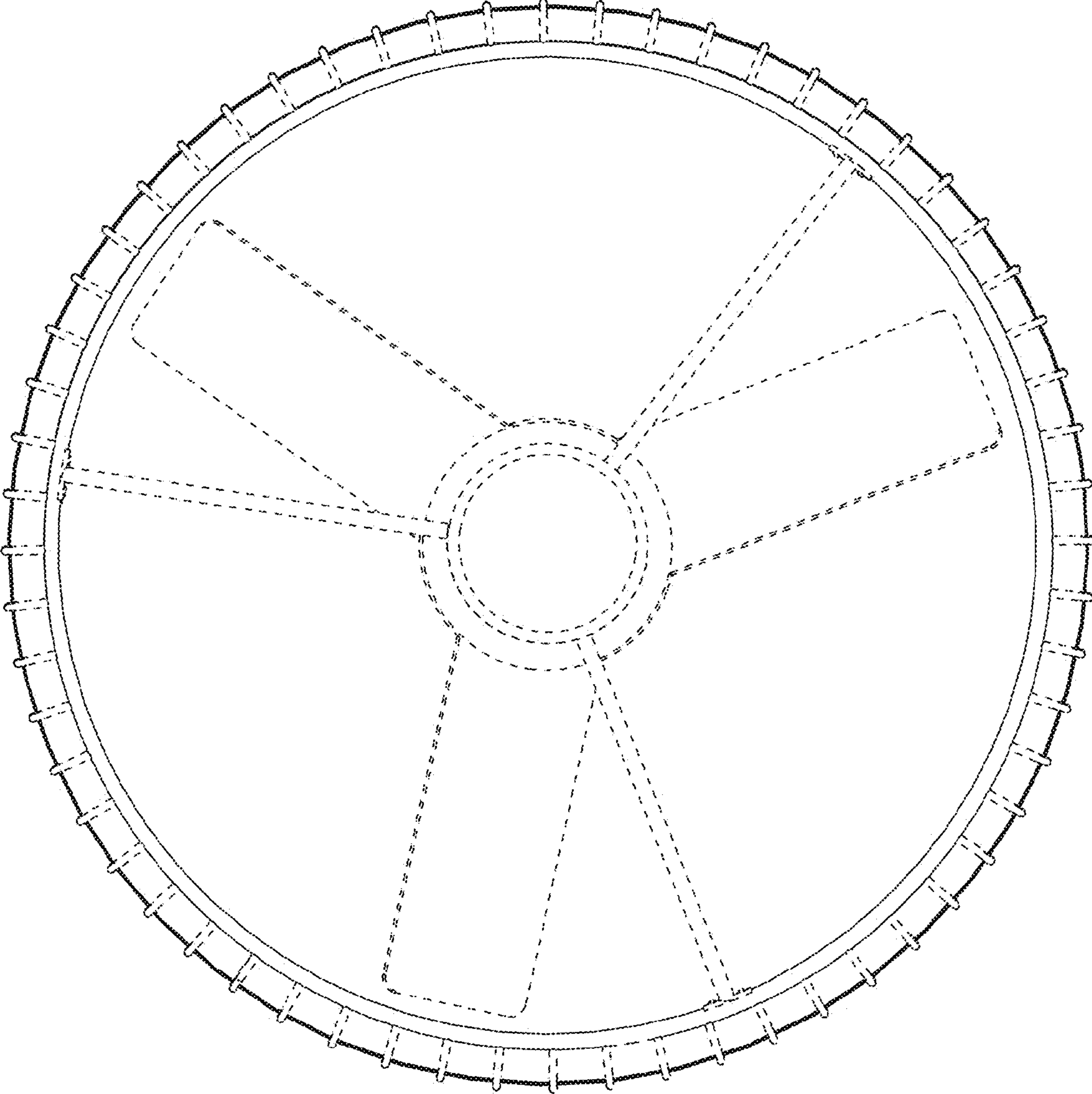


FIG. 3

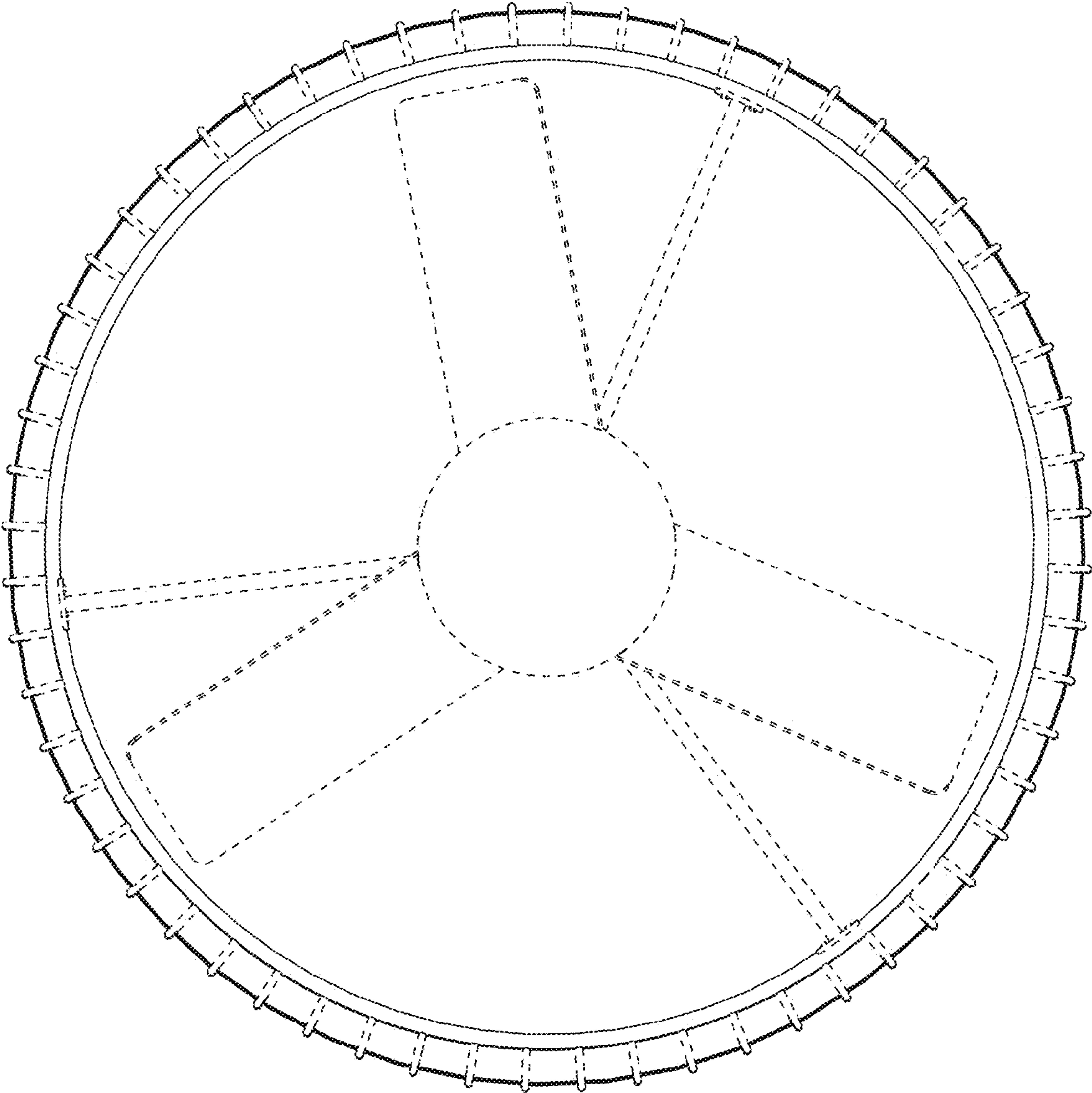


FIG. 4



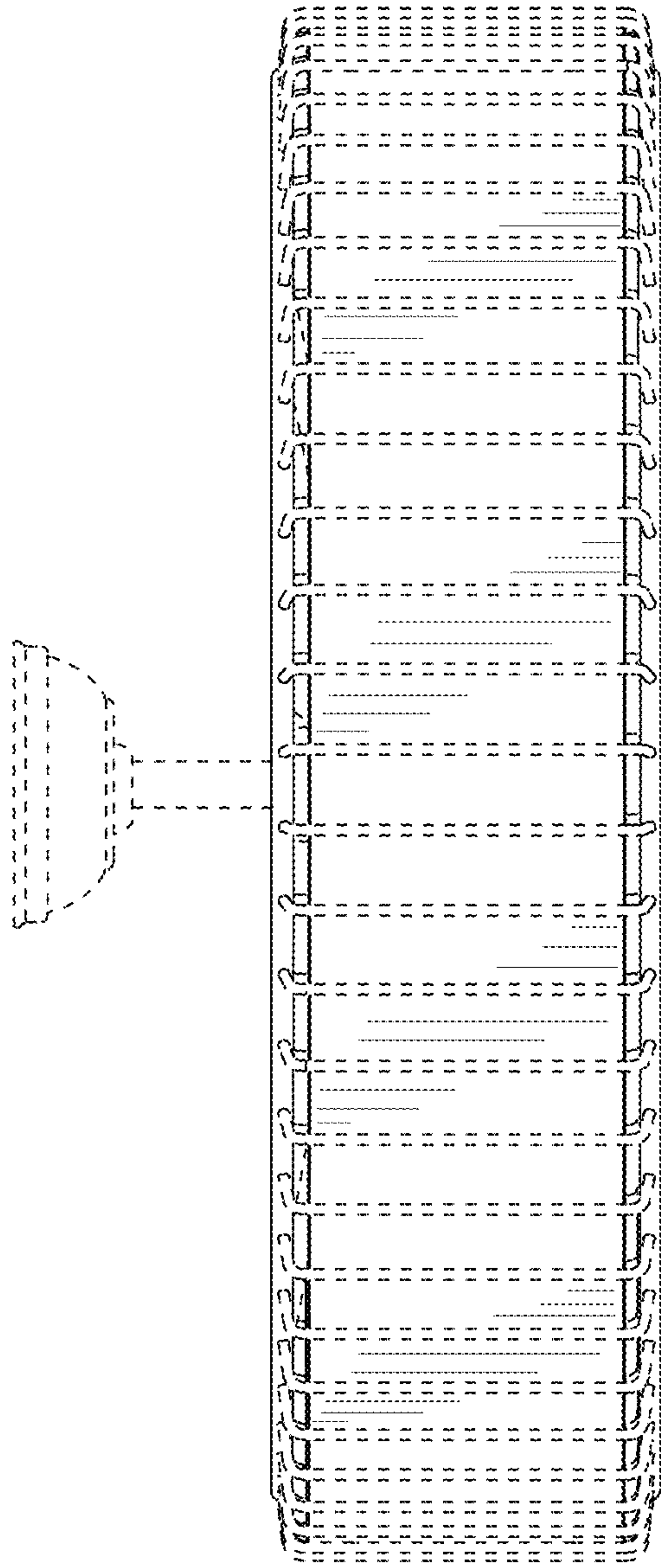


FIG. 5