



US00D920496S

(12) **United States Design Patent**  
**De Filippis**

(10) **Patent No.:** **US D920,496 S**

(45) **Date of Patent:** **\*\* May 25, 2021**

(54) **FAN**  
(71) Applicant: **SPAL AUTOMOTIVE S.R.L.**,  
Correggio (IT)  
(72) Inventor: **Pietro De Filippis**, Varazze (IT)  
(73) Assignee: **SPAL AUTOMOTIVE S.R.L.**,  
Correggio (Reggio (IT))  
(\*\*) Term: **15 Years**

8,043,049 B2 \* 10/2011 Chen ..... F04D 25/0613  
415/119  
8,328,533 B2 \* 12/2012 Yu ..... F04D 25/082  
417/353  
8,550,781 B2 \* 10/2013 Zha ..... F04D 25/0613  
416/181  
8,953,315 B2 \* 2/2015 Takemoto ..... F04D 29/582  
361/695  
9,512,726 B2 \* 12/2016 Ren ..... F04D 25/082  
D820,966 S \* 6/2018 De Filippis ..... D23/370  
D897,520 S \* 9/2020 Gebert ..... D23/370

\* cited by examiner

(21) Appl. No.: **29/665,986**

(22) Filed: **Oct. 9, 2018**

(30) **Foreign Application Priority Data**

Apr. 10, 2018 (EM) ..... 005228731

(51) **LOC (13) Cl.** ..... **23-04**

(52) **U.S. Cl.**  
USPC ..... **D23/370**

(58) **Field of Classification Search**  
USPC ..... D23/370, 376, 383, 377; D13/179  
CPC ... F04D 29/668; F04D 25/0613; F04D 25/082  
See application file for complete search history.

(56) **References Cited**

**U.S. PATENT DOCUMENTS**

6,293,753 B1 \* 9/2001 Pal ..... F04D 29/547  
257/E23.099  
7,300,262 B2 \* 11/2007 Ku ..... F04D 25/082  
310/58

*Primary Examiner* — April Rivas

(74) *Attorney, Agent, or Firm* — Shuttleworth &  
Ingersoll, PLC; Timothy J. Klima

(57) **CLAIM**

The ornamental design for a fan, as shown and described.

**DESCRIPTION**

FIG. 1 is a perspective front view,  
FIG. 2 is a rear view,  
FIG. 3 is a front view,  
FIG. 4 is a left side view, with respect to FIG. 3,  
FIG. 5 is a right side view, with respect to FIG. 3,  
FIG. 6 is a bottom plan view, with respect to FIG. 3,  
FIG. 7 is a top plan view, with respect to FIG. 3; and,  
FIG. 8 is a perspective rear view.  
Any broken lines in the figures illustrate portions of the fan  
that form no part of the claimed design.

**1 Claim, 8 Drawing Sheets**

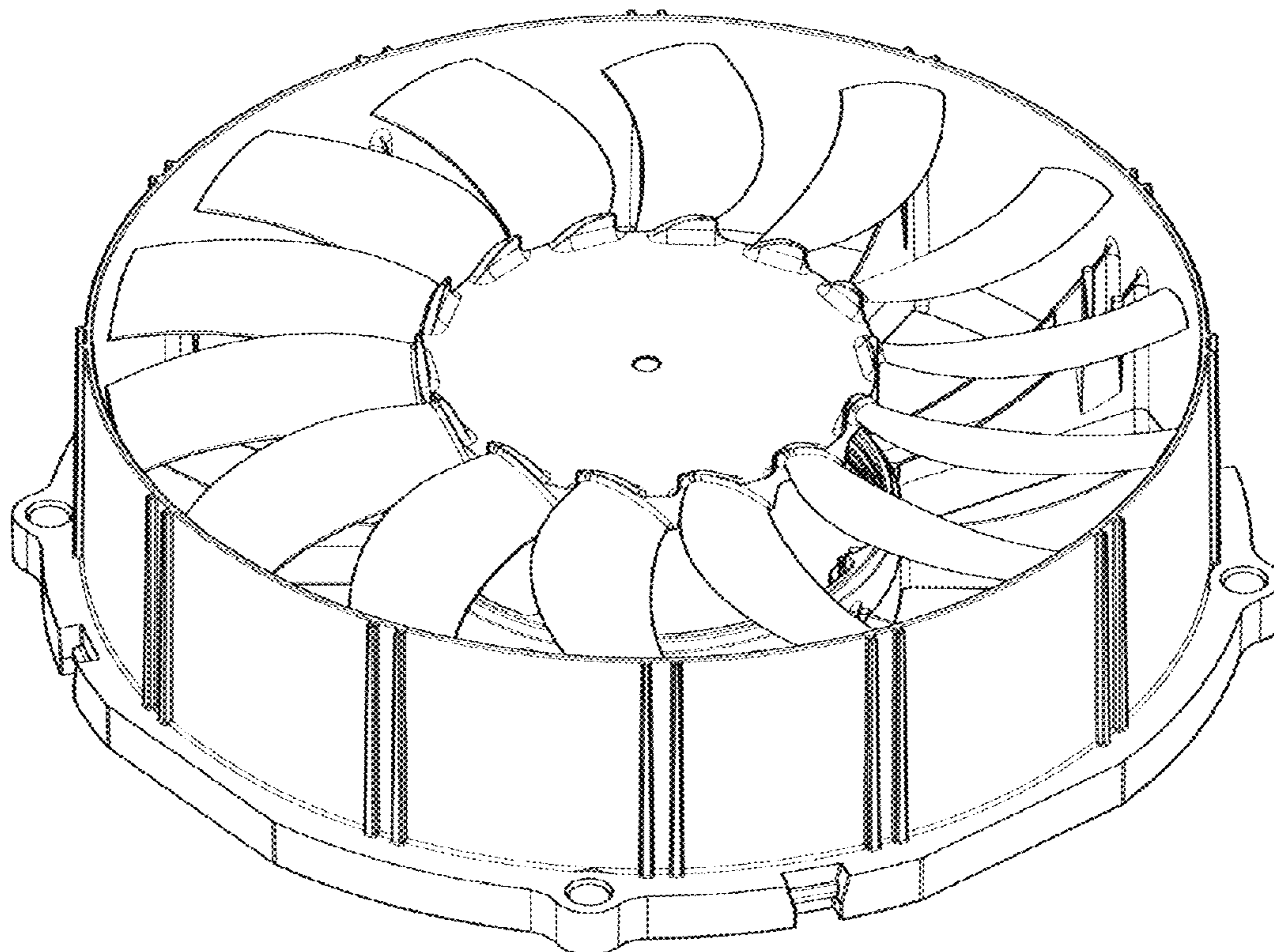


FIG. 1

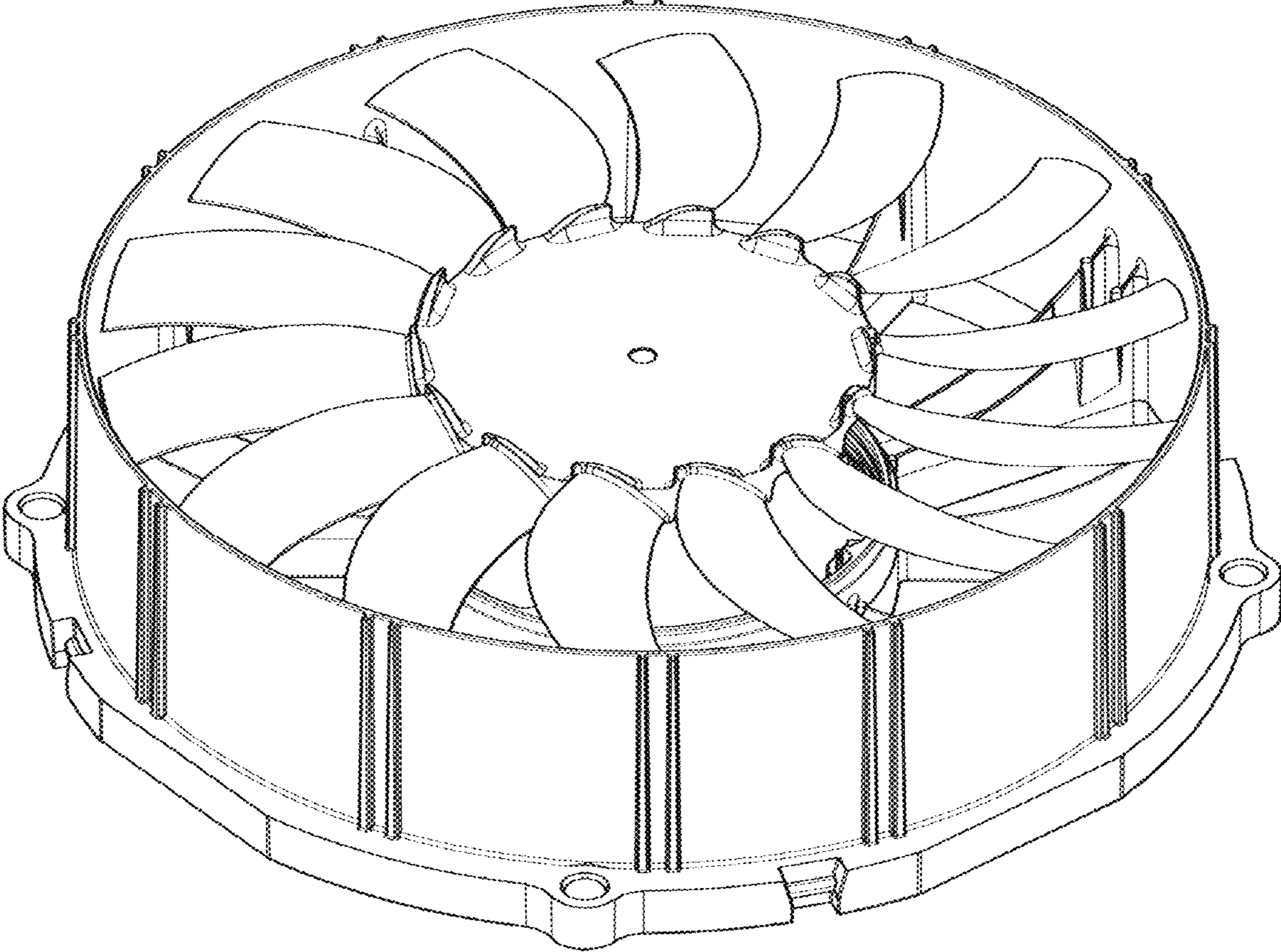




FIG. 2

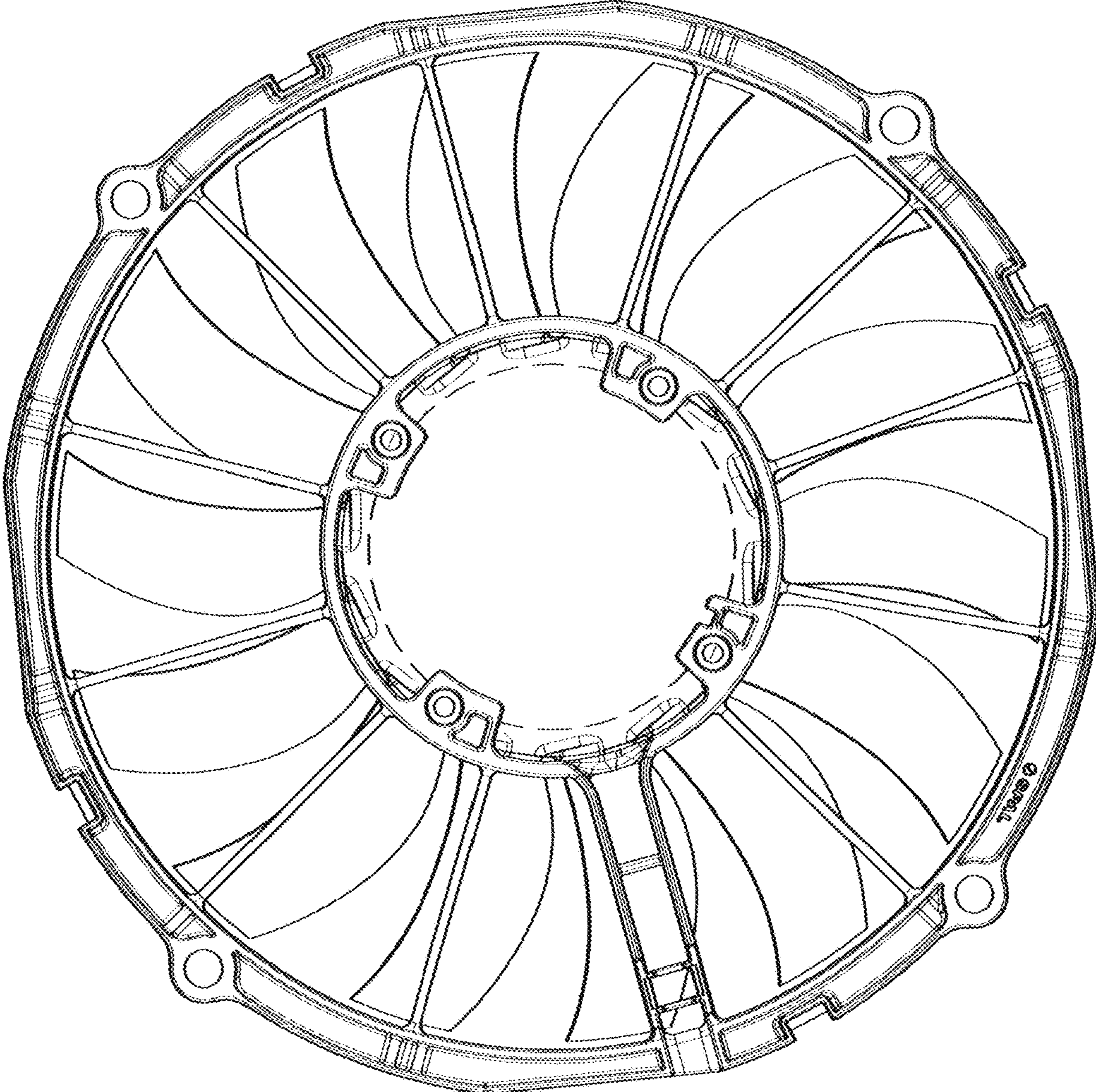


FIG. 3

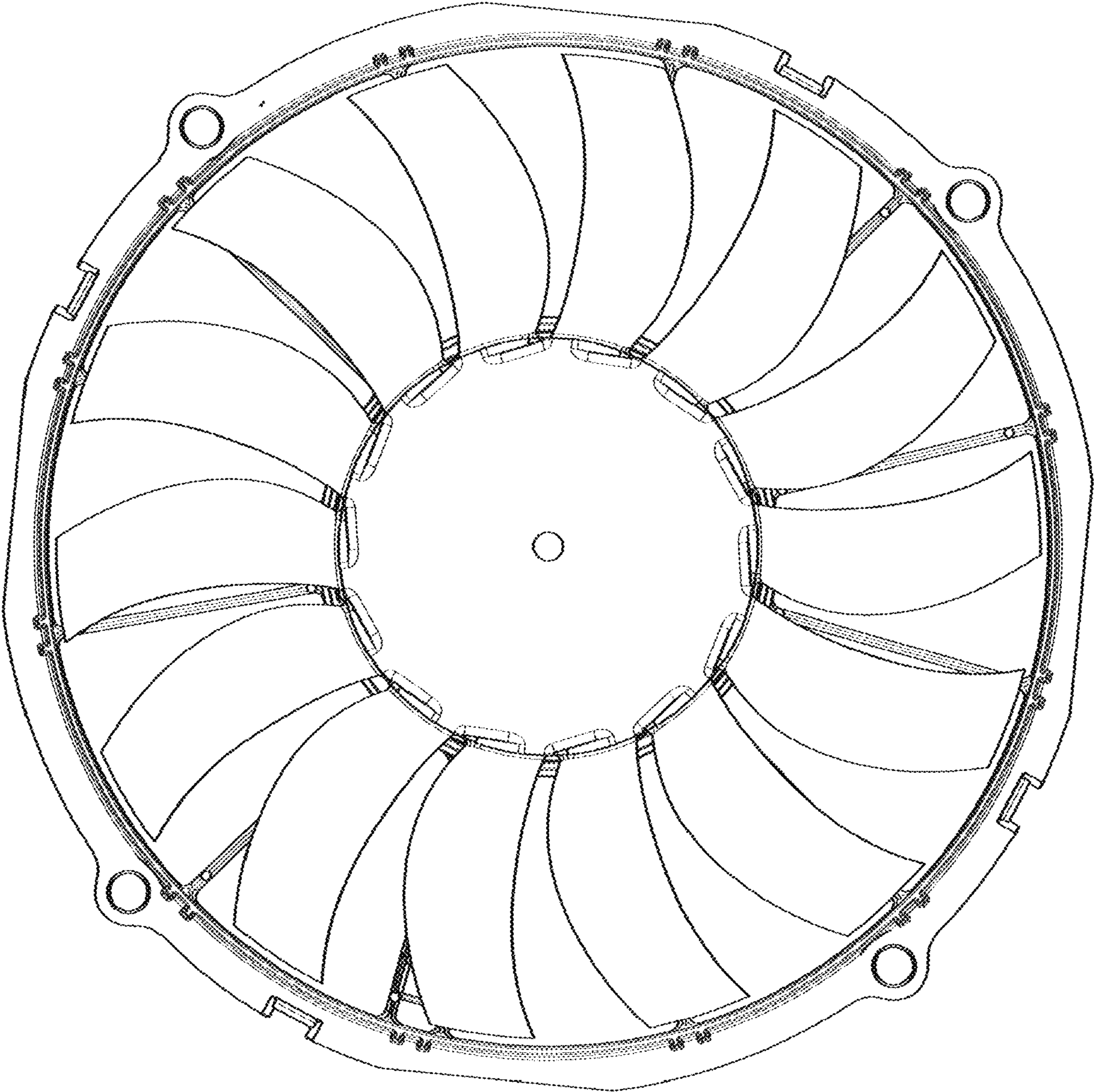




FIG. 4

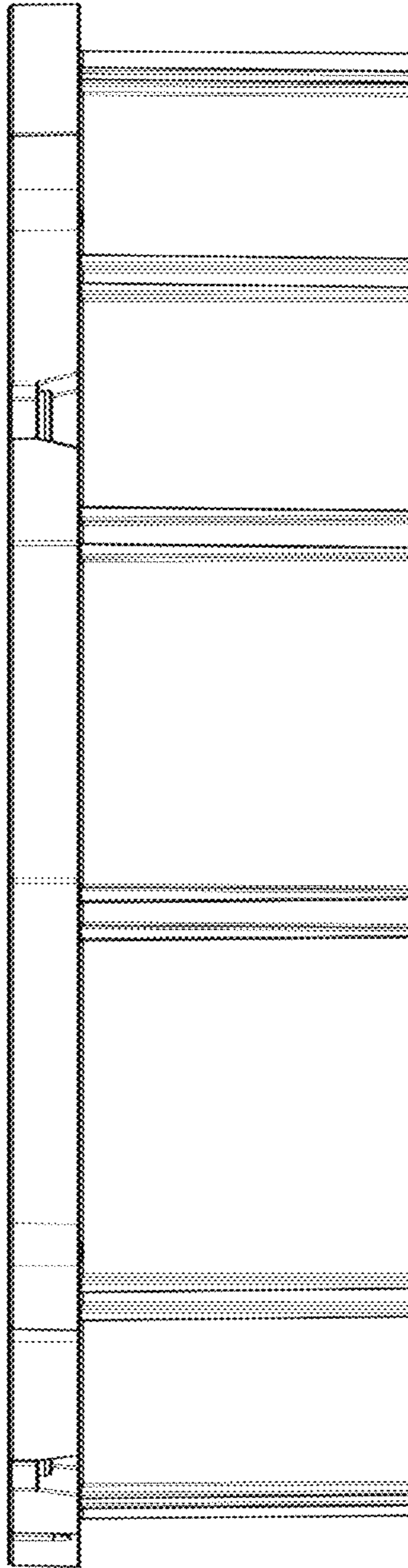


FIG. 5

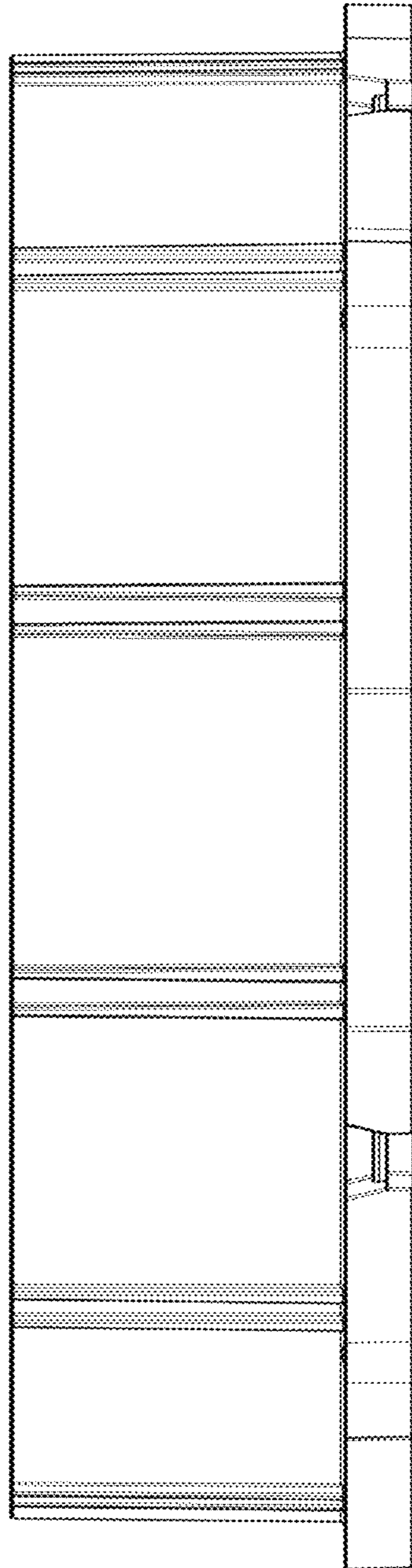


FIG. 6

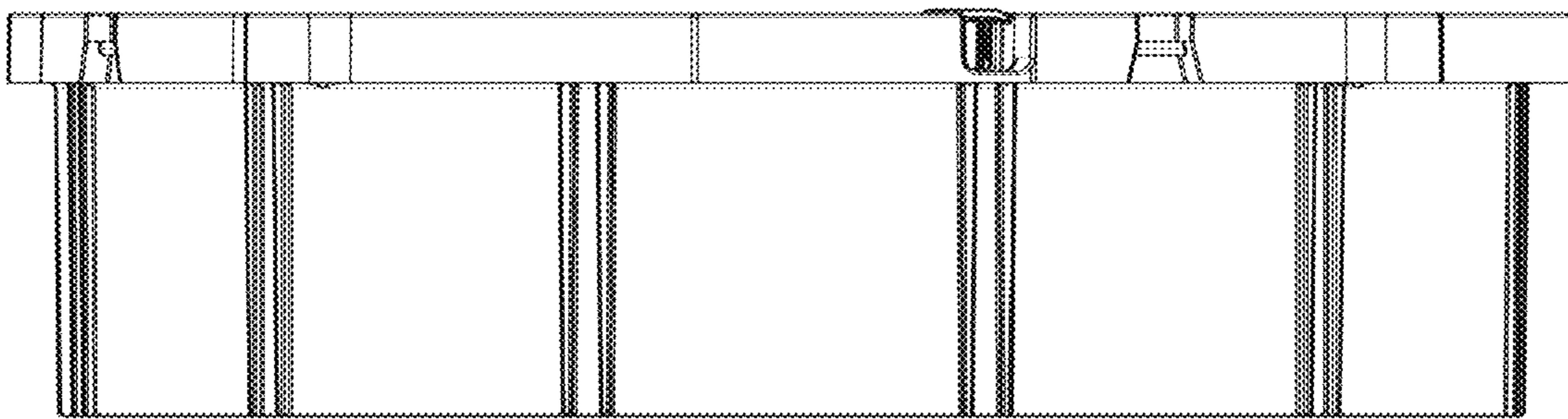


FIG. 7

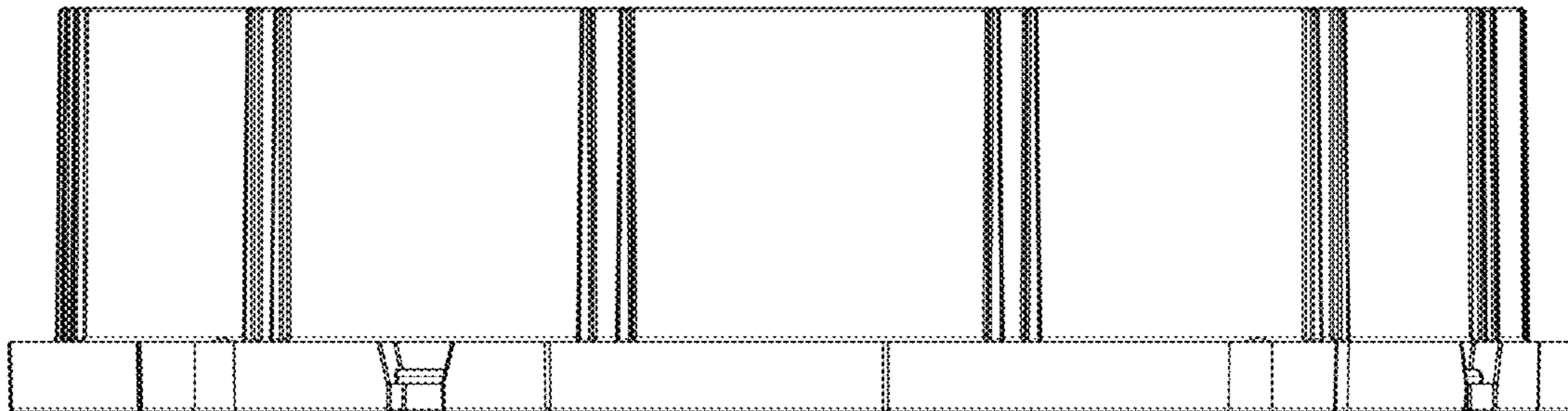




FIG. 8

