



US00D920492S

(12) **United States Design Patent**  
**Alexander**

(10) **Patent No.:** **US D920,492 S**

(45) **Date of Patent:** **\*\* May 25, 2021**

(54) **WALL MOUNTABLE ESSENTIAL OIL  
DIFFUSER**

(71) Applicant: **Matthew Aaron Alexander**, Orem, UT  
(US)

(72) Inventor: **Matthew Aaron Alexander**, Orem, UT  
(US)

(\*\*) Term: **15 Years**

(21) Appl. No.: **29/690,382**

(22) Filed: **May 7, 2019**

**Related U.S. Application Data**

(60) Continuation of application No. 29/668,461, filed on  
Oct. 30, 2018, which is a division of application No.  
16/160,750, filed on Oct. 15, 2018.

(51) **LOC (13) Cl.** ..... **23-04**

(52) **U.S. Cl.**  
USPC ..... **D23/366**

(58) **Field of Classification Search**  
USPC .... D23/208, 355-369; D14/209.1, 212-213;  
D8/1, 391  
CPC ..... A61L 9/02; A61L 9/03; A61L 9/12; A61L  
9/035; A61L 9/125; A61L 2209/15; A61L  
2209/16; A61L 9/122; F16M 13/022  
See application file for complete search history.

(56) **References Cited**

**U.S. PATENT DOCUMENTS**

D366,107 S \* 1/1996 Shaffer ..... D20/18  
D438,608 S \* 3/2001 Chen ..... D23/366  
D512,494 S \* 12/2005 Haranaka ..... D23/355  
D544,951 S \* 6/2007 Zobebe ..... A61L 9/125  
D23/366

7,400,822 B2 \* 7/2008 Ruiz Ballesteros ..... A61L 9/03  
392/390  
D575,859 S \* 8/2008 Scimone ..... D23/366  
D611,585 S \* 3/2010 Gruenbacher ..... D23/366  
D688,364 S \* 8/2013 Gammon ..... D23/366  
D689,999 S \* 9/2013 Viala ..... A61L 9/03  
D23/366  
D721,797 S \* 1/2015 Hewett ..... D23/355  
D829,876 S \* 10/2018 Arinsmier ..... D23/366  
D830,529 S \* 10/2018 Arinsmier ..... D23/366  
2010/0187327 A1 \* 7/2010 Irvin ..... A61L 9/125  
239/47

\* cited by examiner

*Primary Examiner* — Sheryl Lane  
*Assistant Examiner* — Calvin E Vansant  
(74) *Attorney, Agent, or Firm* — Superior IP, PLLC;  
Dustin Call

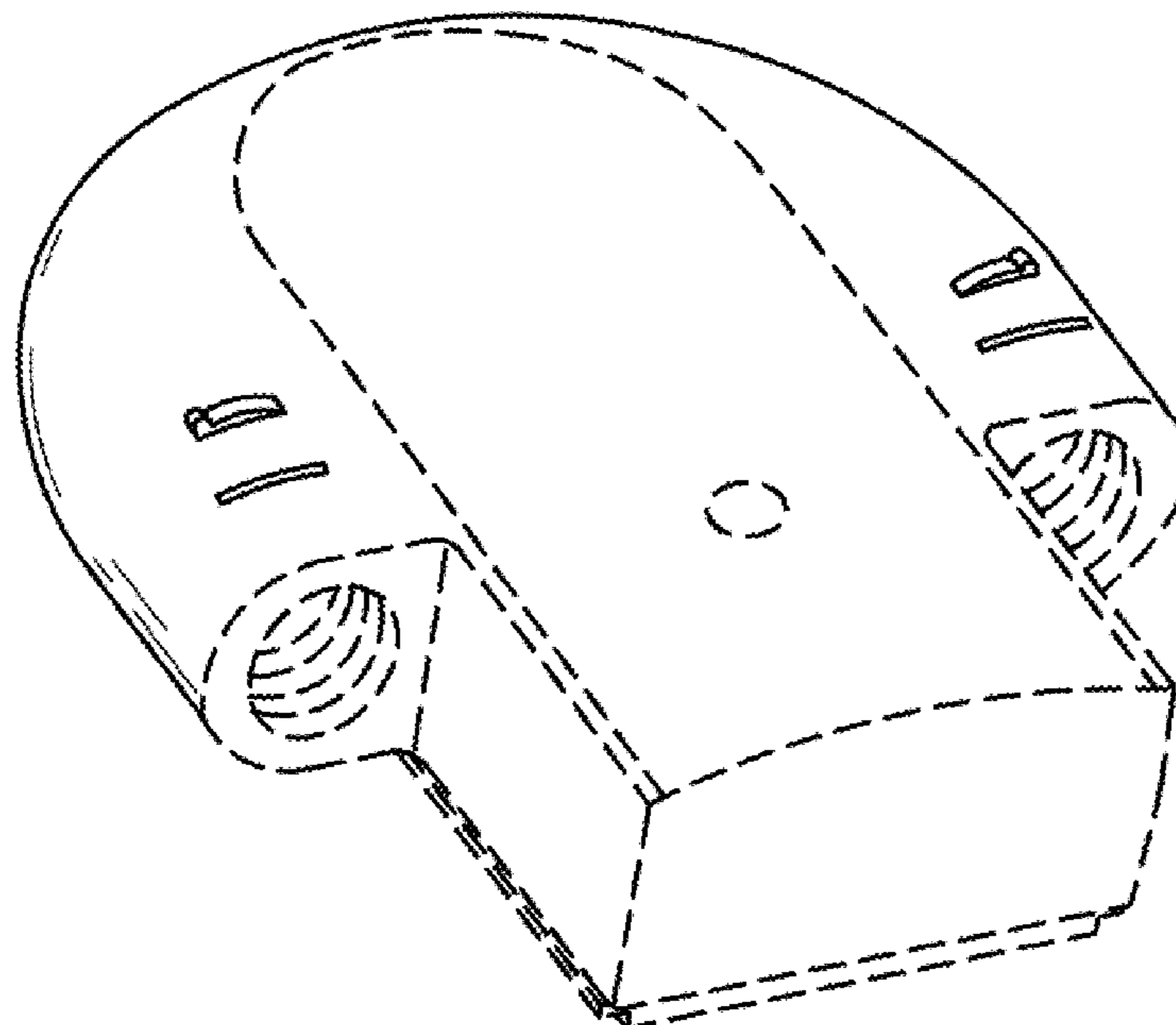
(57) **CLAIM**

The ornamental design for a wall mountable essential oil  
diffuser, as shown and described.

**DESCRIPTION**

FIG. 1 is a front view of a wall mountable essential oil  
diffuser;  
FIG. 2 is a rear view thereof;  
FIG. 3 is a top view thereof;  
FIG. 4 is a bottom view thereof;  
FIG. 5 is a right side view thereof, the left side view being  
a mirror image;  
FIG. 6 is a top left rear perspective view thereof;  
FIG. 7 is a bottom right front perspective view thereof;  
FIG. 8 is a front expanded view thereof; and,  
FIG. 9 is a rear expanded view thereof.  
The broken lines depict environmental subject matter only  
and form no part of the claim.

**1 Claim, 5 Drawing Sheets**



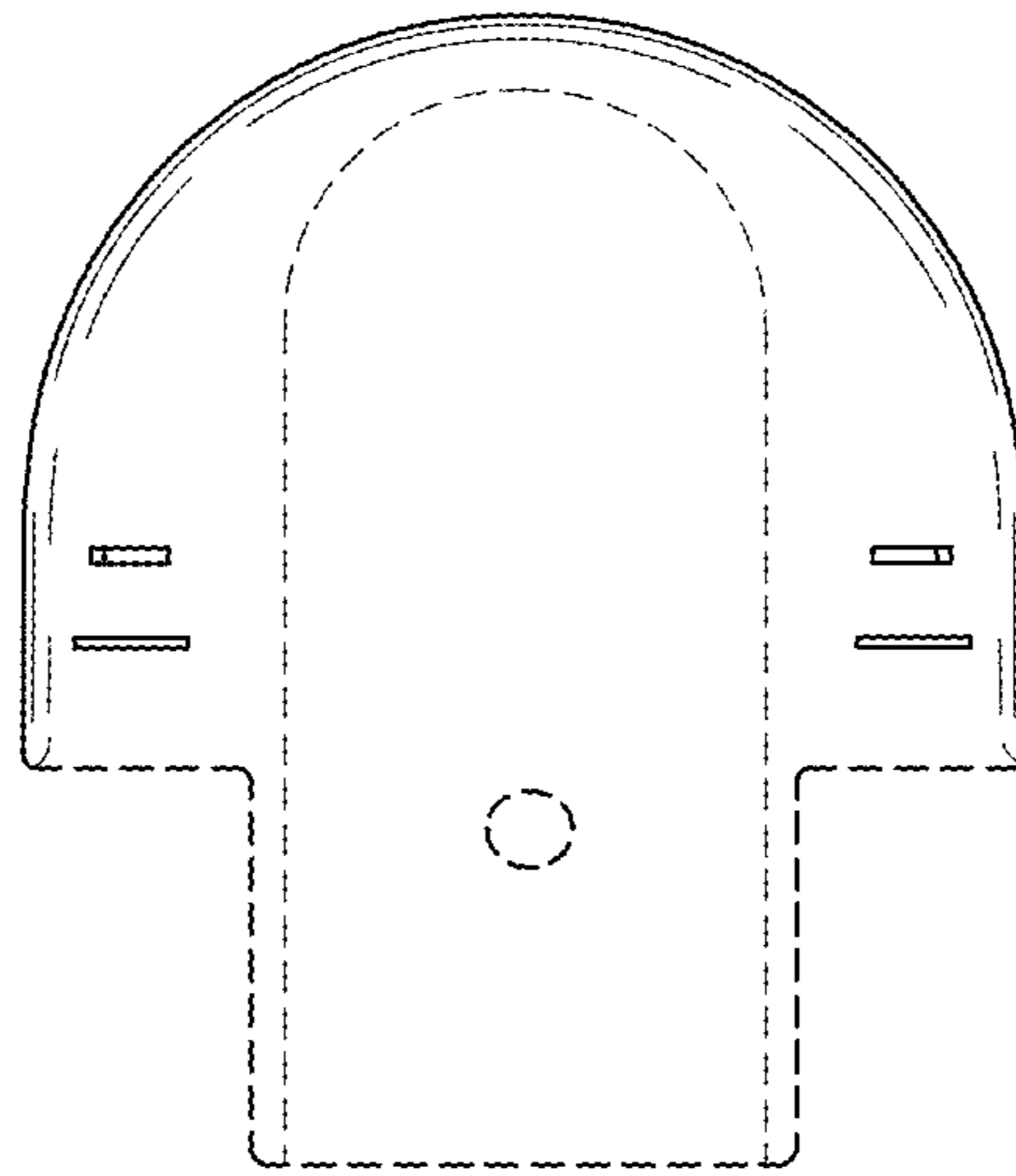


FIG. 1

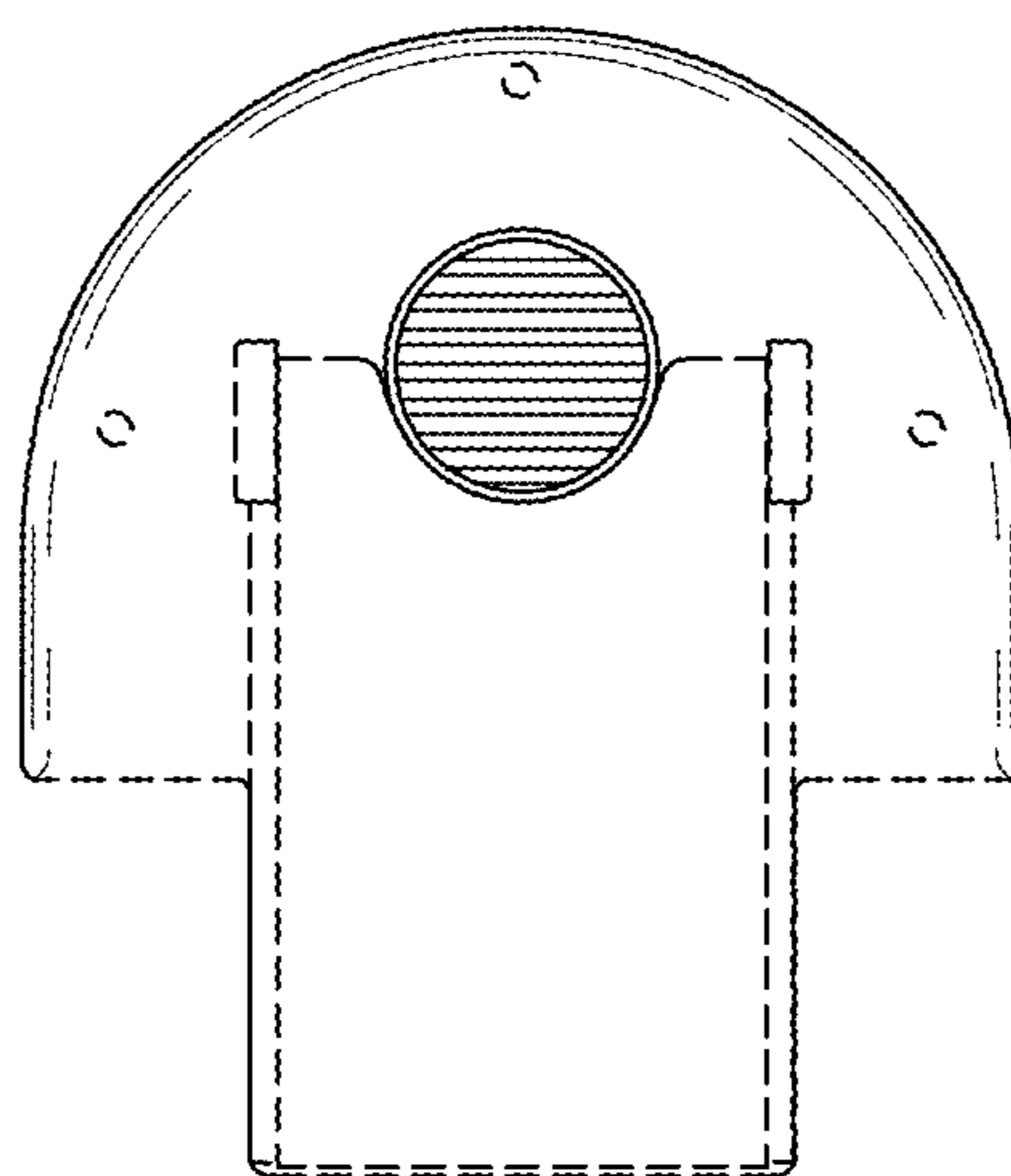


FIG. 2

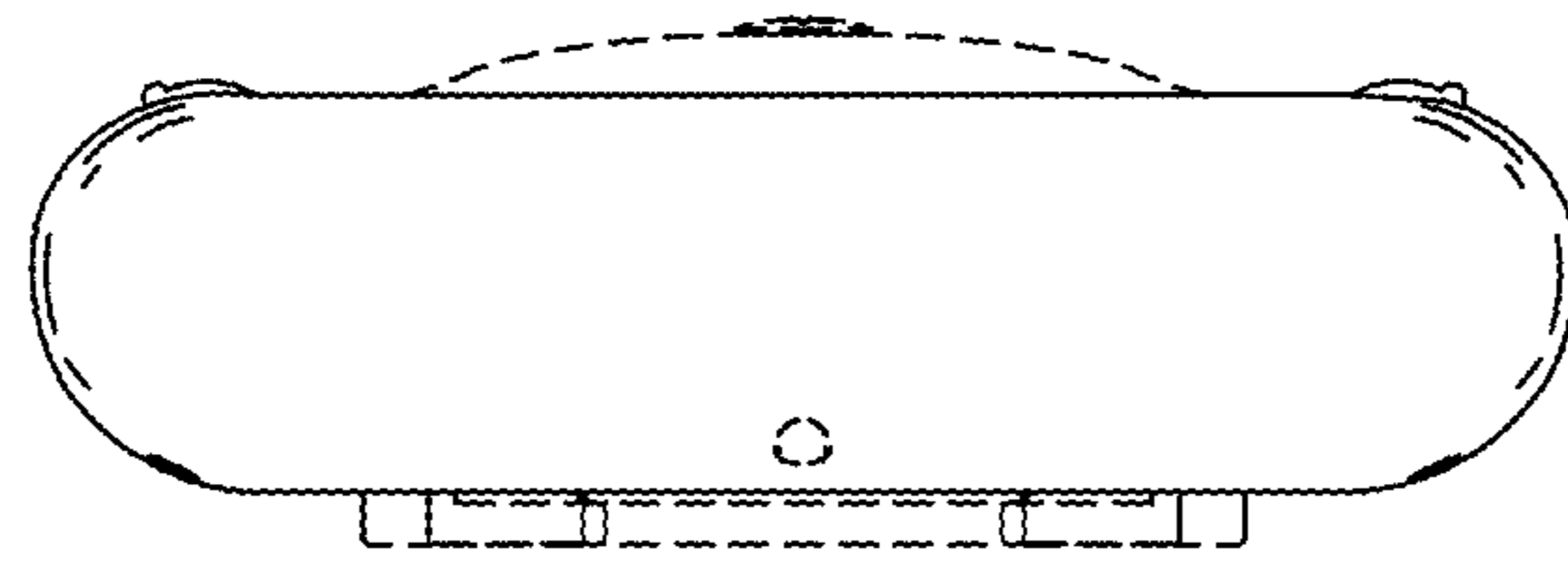


FIG. 3



FIG. 4

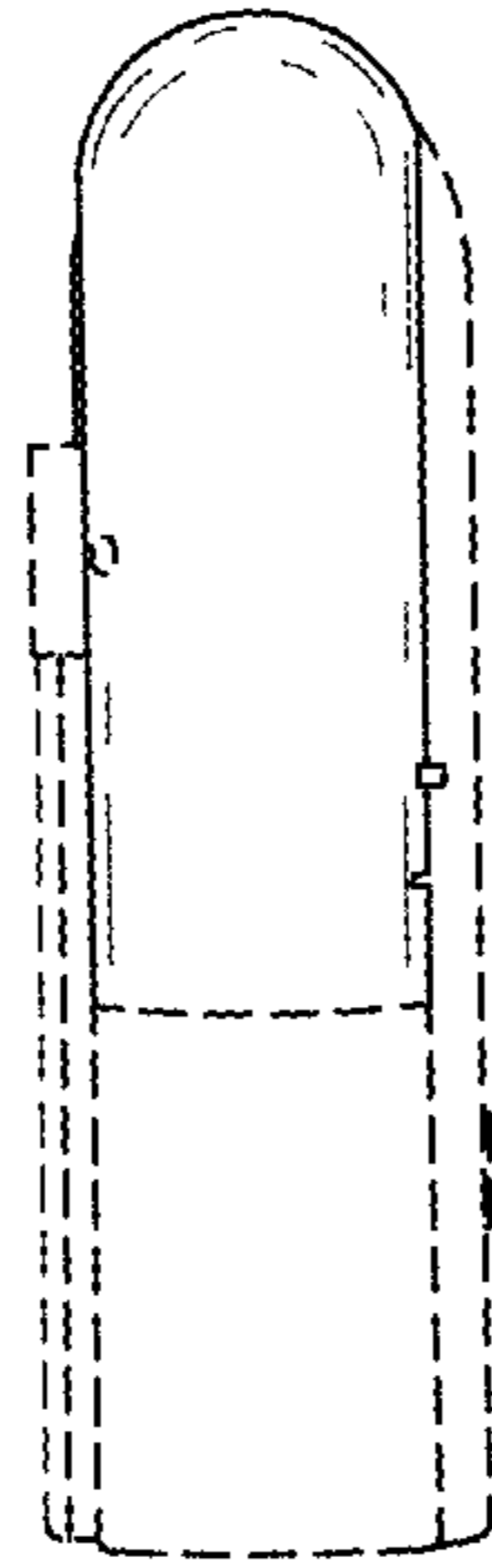


FIG. 5

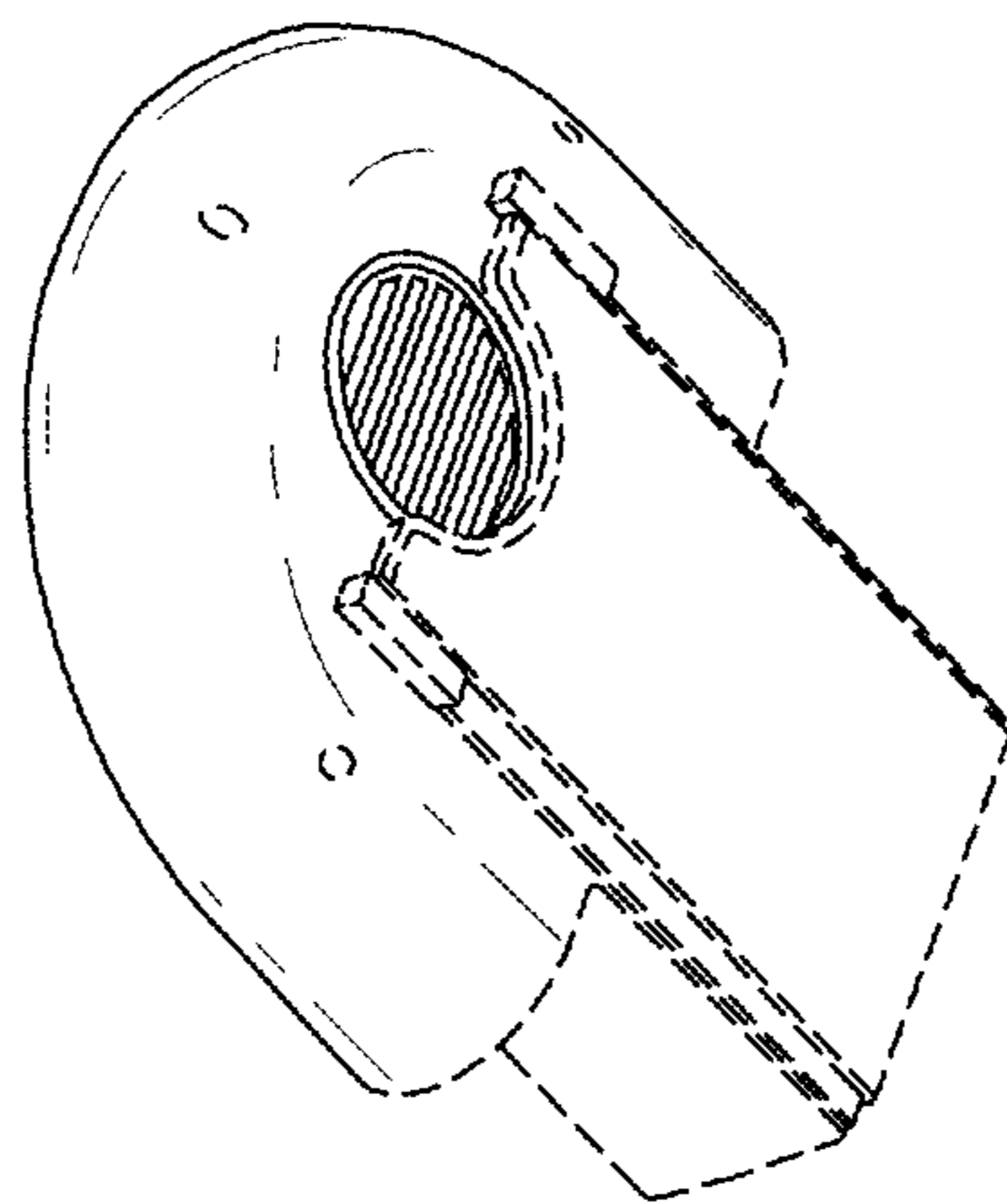


FIG. 6

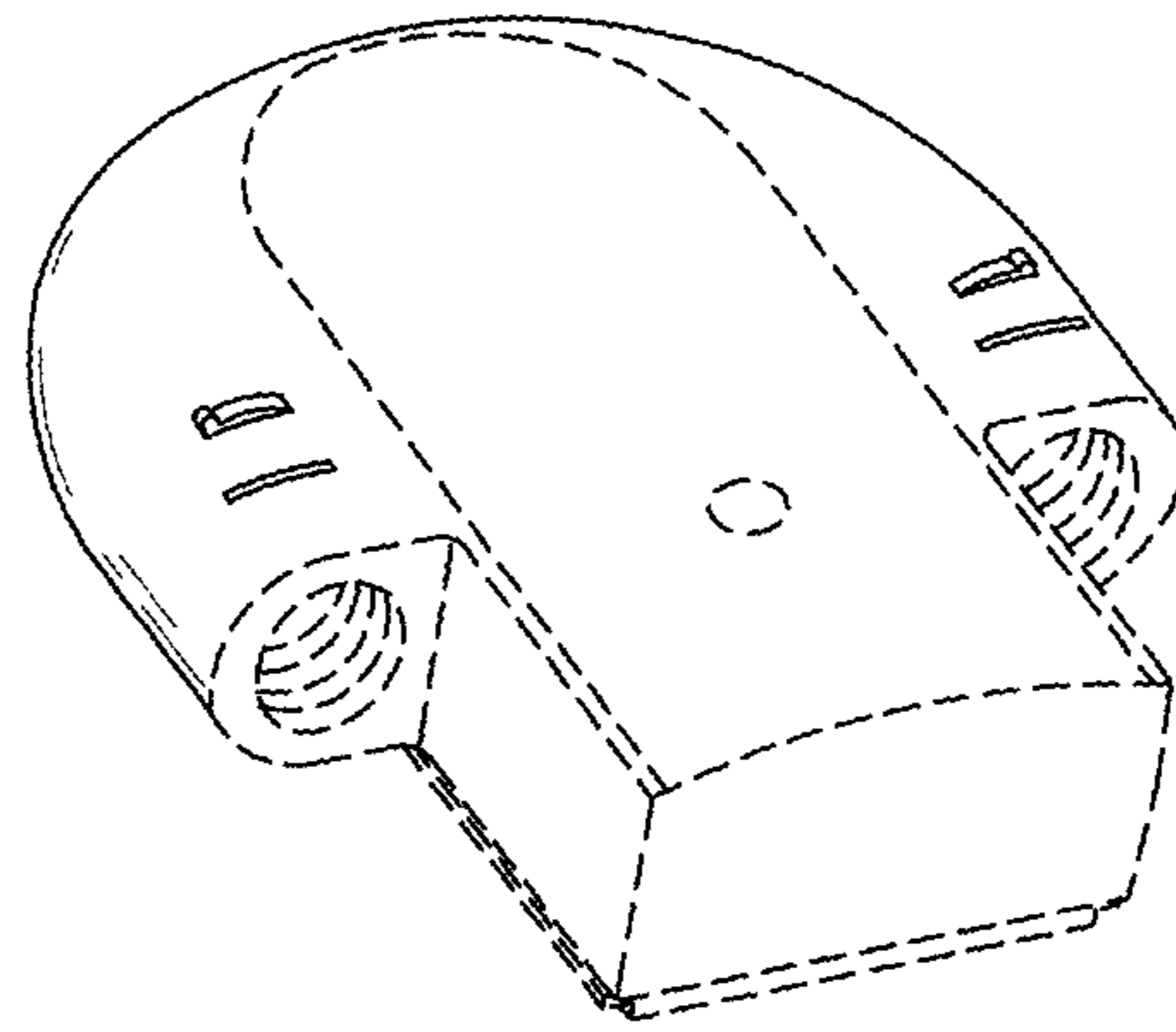


FIG. 7

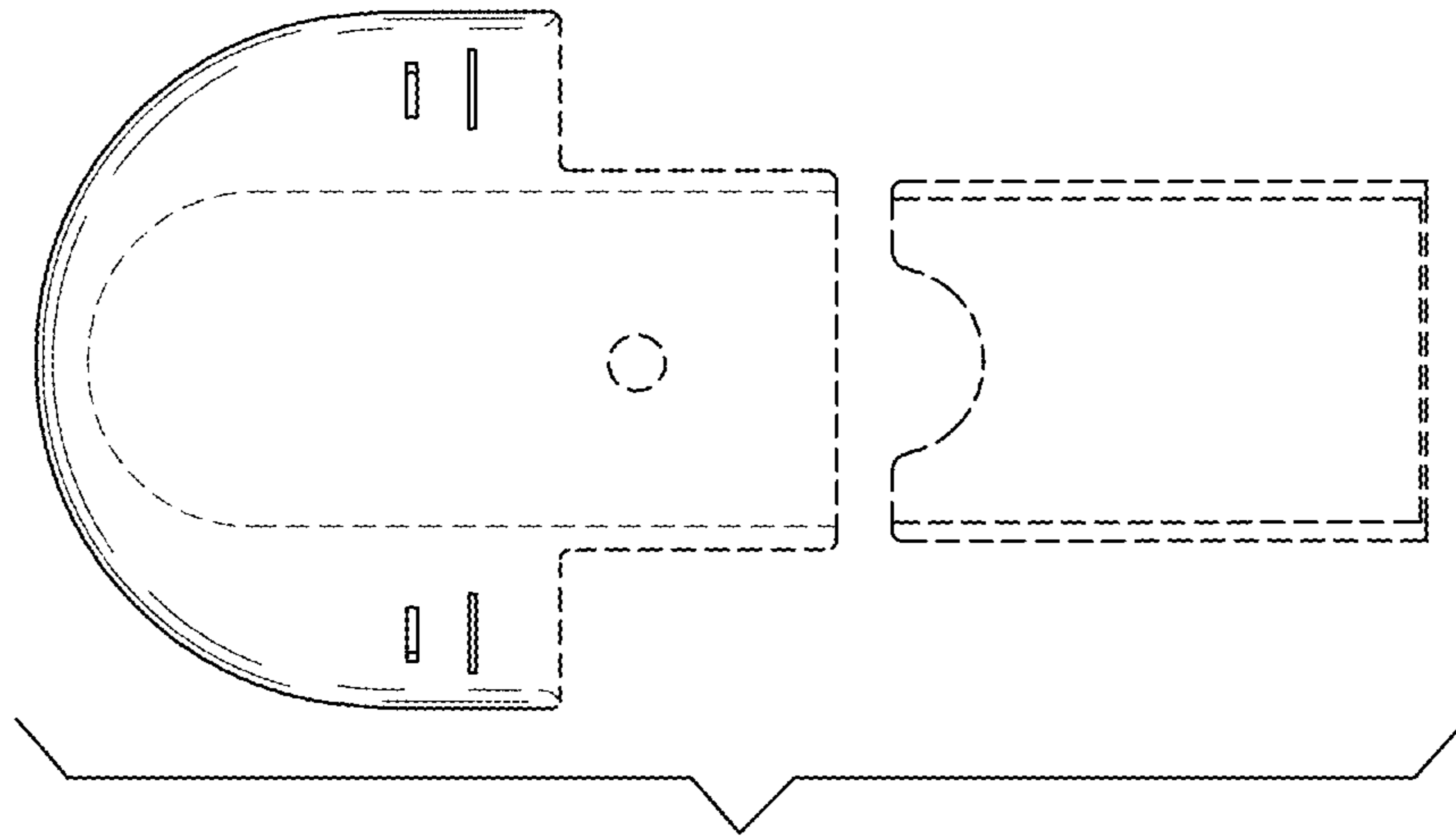


FIG. 8

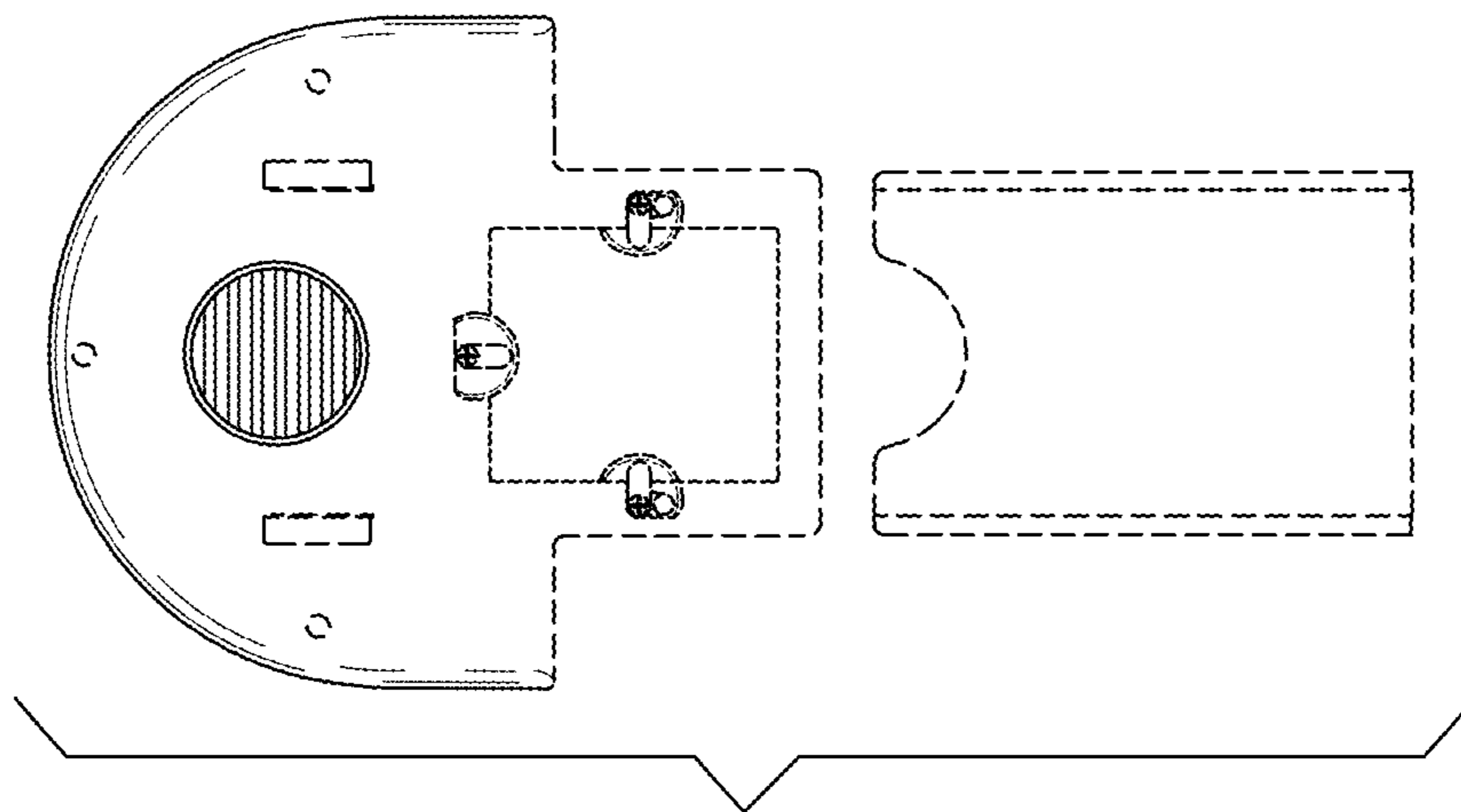


FIG. 9