



US00D920490S

(12) **United States Design Patent**
Huang et al.

(10) **Patent No.:** **US D920,490 S**

(45) **Date of Patent:** **** May 25, 2021**

(54) **CABINET AIR CONDITIONER**

(71) Applicants: **GD MIDEA AIRCONDITIONING EQUIPMENT CO., LTD.**, Foshan (CN); **MIDEA GROUP CO., LTD.**, Foshan (CN)

(72) Inventors: **Ruilin Huang**, Foshan (CN); **Hailu Wang**, Foshan (CN)

(**) Term: **15 Years**

D689,994 S *	9/2013	Jun	D23/351
D701,596 S *	3/2014	Yoo	D23/351
D708,724 S *	7/2014	Yoo	D23/351
D717,419 S *	11/2014	Choi	D23/351
D777,892 S *	1/2017	Bu	D23/351
D778,416 S *	2/2017	Bu	D23/351
D797,268 S *	9/2017	Park	D23/351
D799,656 S *	10/2017	Park	D23/351
D819,189 S *	5/2018	Chen	D23/332
D840,525 S *	2/2019	Park	D23/351
D840,526 S *	2/2019	Park	D23/351
D884,858 S *	5/2020	Zhang	D23/333
D892,287 S *	8/2020	Park	D23/351

* cited by examiner

(21) Appl. No.: **29/687,890**

(22) Filed: **Apr. 16, 2019**

(30) **Foreign Application Priority Data**

Oct. 17, 2018 (CN) 201830578625.5

(51) **LOC (13) Cl.** **23-04**

(52) **U.S. Cl.**
USPC **D23/351**

(58) **Field of Classification Search**
USPC D23/333, 351-354, 388
CPC F24F 1/00; F24F 1/0007; F24F 1/02; F24F 1/08; F24F 1/42; F24F 1/56; F24F 1/60; F24F 3/044; F24F 3/048; F24F 3/16; G05D 23/1905; G05D 23/1932; G05D 23/1902; G05D 23/1931; G05B 19/0426; G05B 19/409; G05B 15/02

See application file for complete search history.

(56) **References Cited**

U.S. PATENT DOCUMENTS

D468,414 S *	1/2003	Fok	D23/328
D683,005 S *	5/2013	Park	D23/351
D689,993 S *	9/2013	Yoon	D23/351

Primary Examiner — Natasha Vujcic

(74) *Attorney, Agent, or Firm* — Kilpatrick Townsend & Stockton, LLP

(57) **CLAIM**

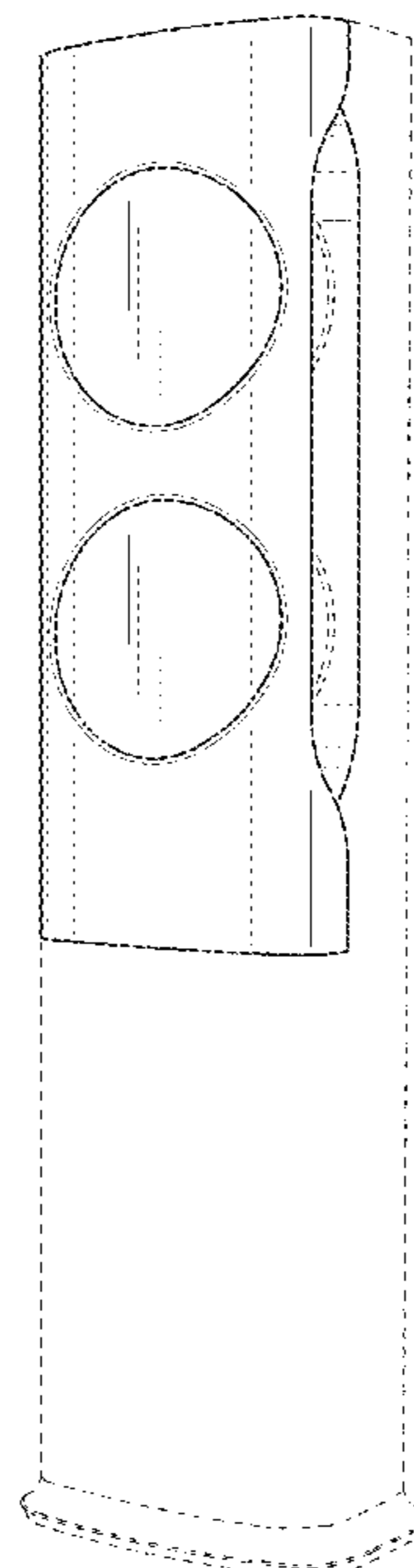
The ornamental design of a cabinet air conditioner, as shown and described.

DESCRIPTION

FIG. 1 is a perspective view of a cabinet air conditioner, showing our new design;
FIG. 2 is a top plan view thereof;
FIG. 3 is a bottom plan view thereof.
FIG. 4 is a front elevation view thereof;
FIG. 5 is a rear elevation view thereof;
FIG. 6 is a left side elevation view thereof; and,
FIG. 7 is a right side elevation view thereof.

The broken lines immediately adjacent the shaded areas represent the bounds of the claimed design while all other broken lines are directed to environment and are for illustrative purposes only. The broken lines form no part of the claimed design.

1 Claim, 4 Drawing Sheets



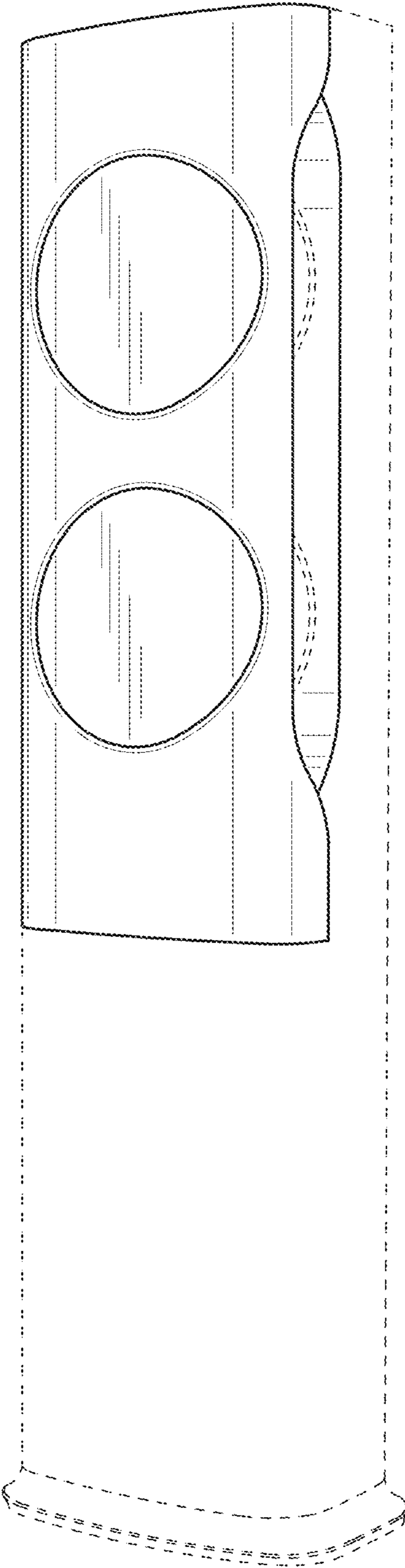


FIG. 1

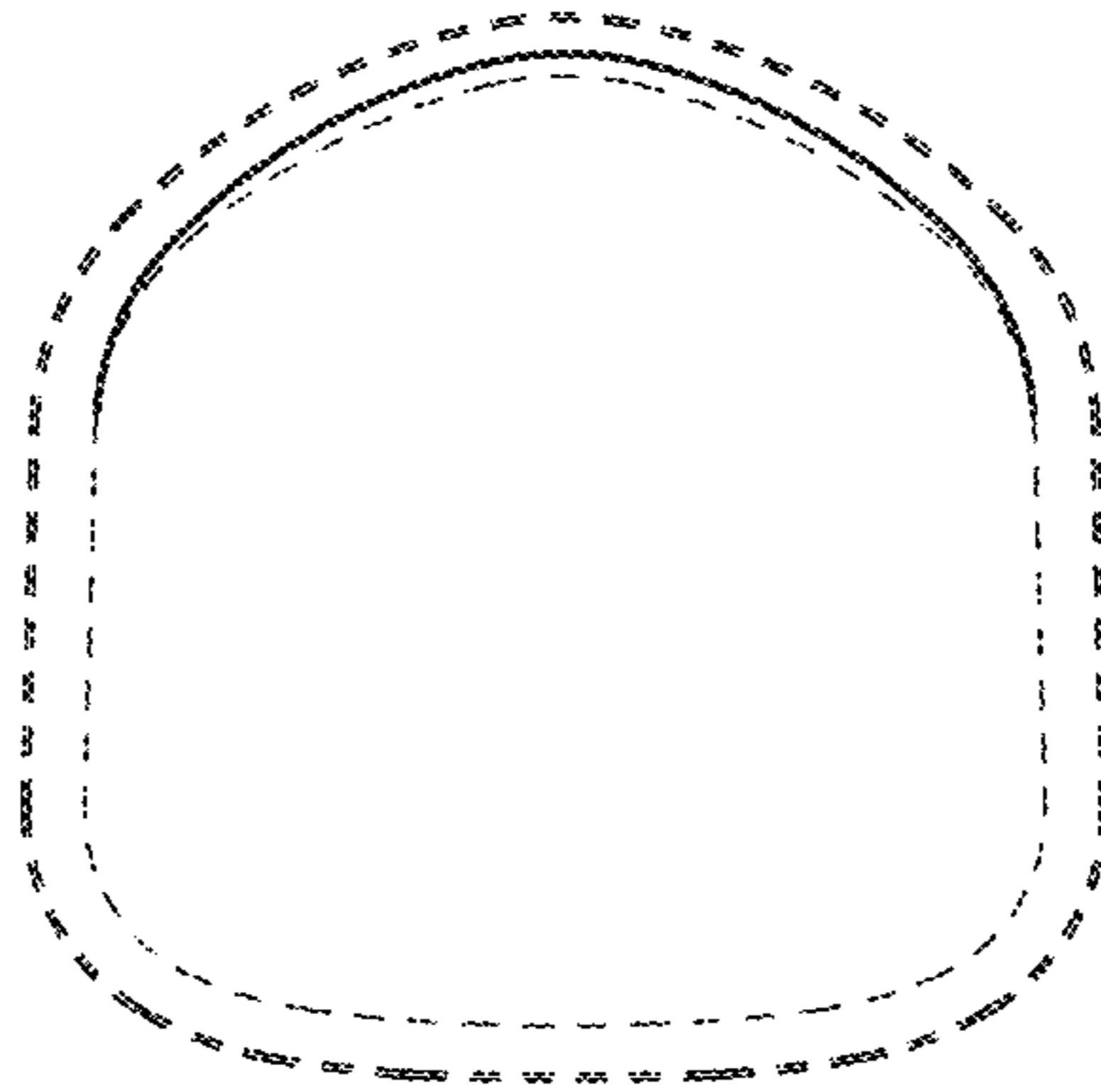


FIG. 2

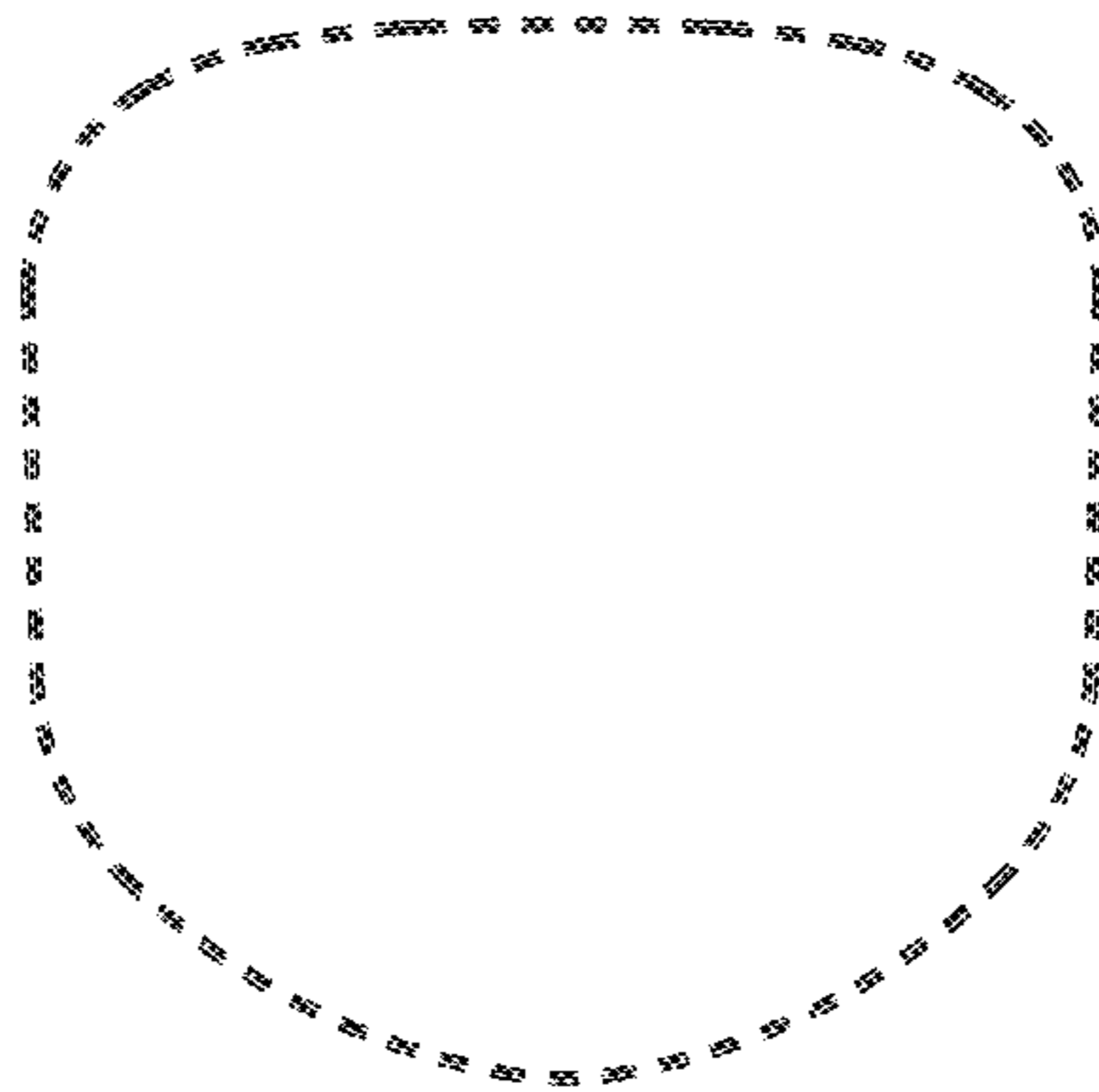


FIG. 3

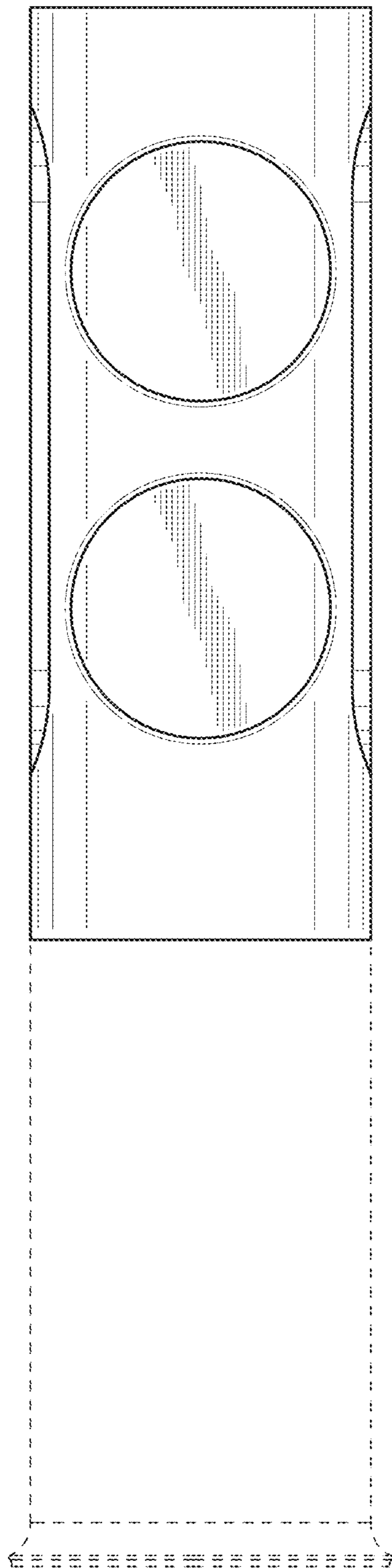


FIG. 4

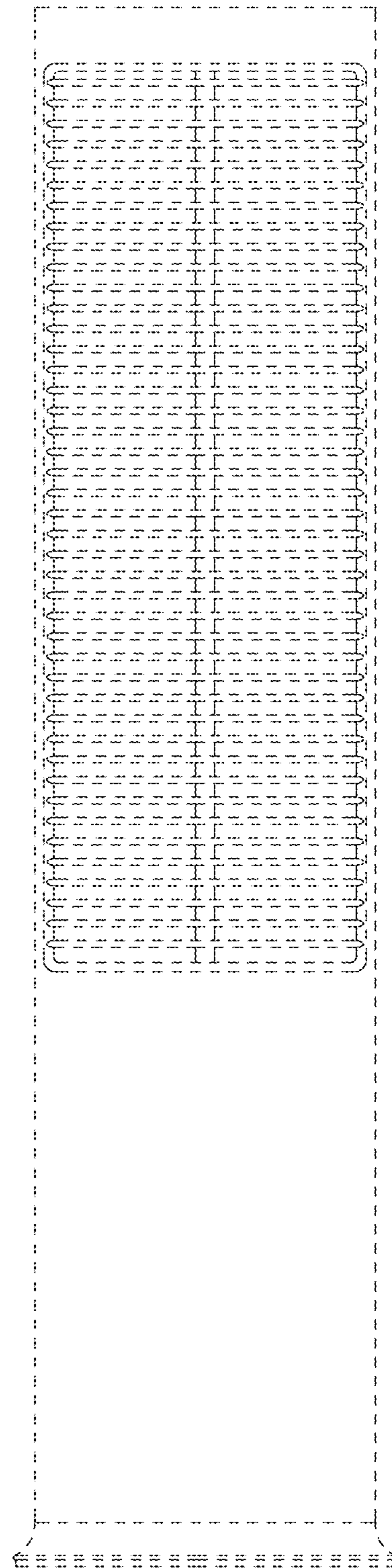


FIG. 5

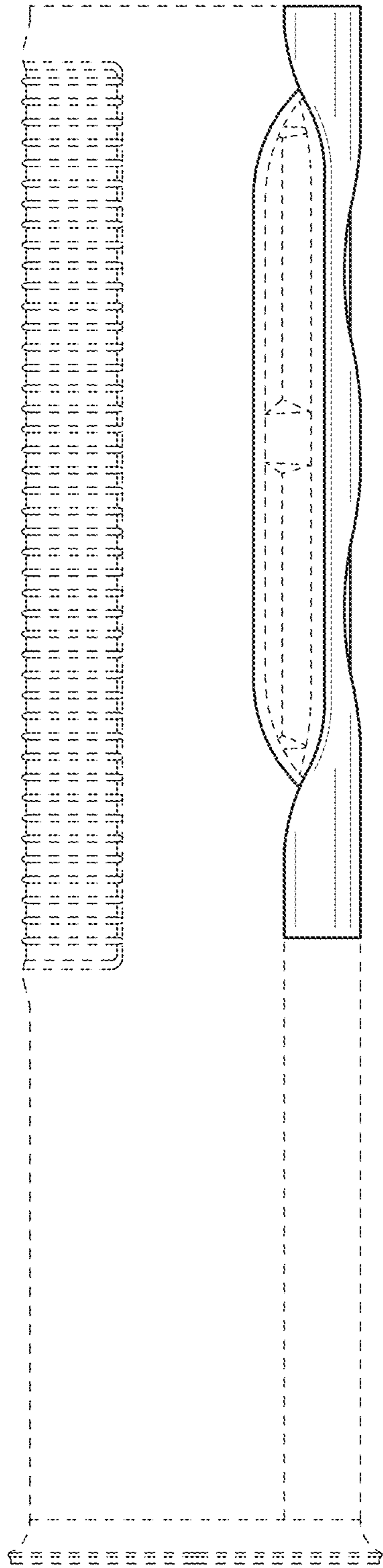


FIG. 6

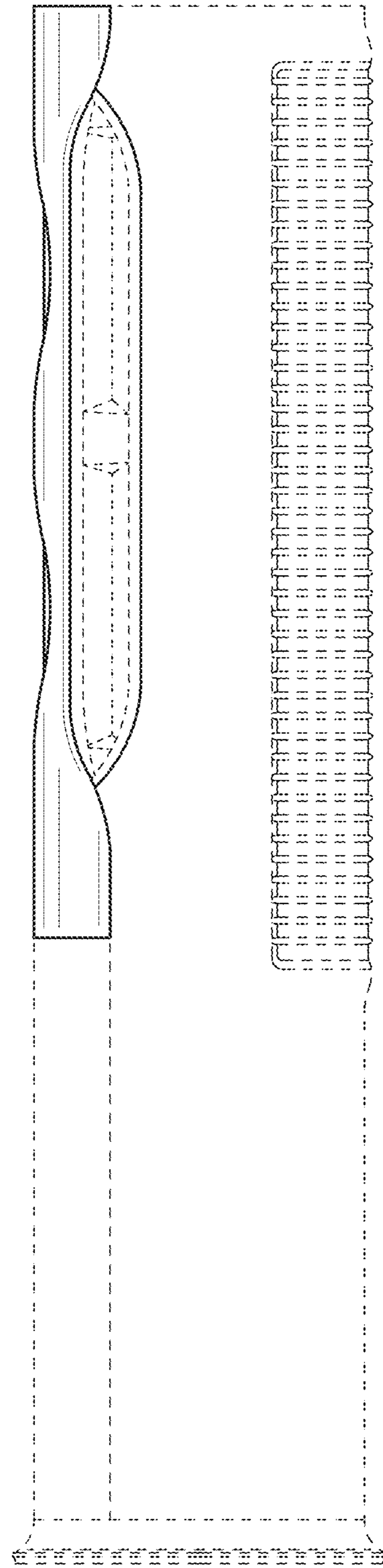


FIG. 7