



US00D920489S

(12) **United States Design Patent** (10) **Patent No.:** **US D920,489 S**
Takewaki et al. (45) **Date of Patent:** **** May 25, 2021**

(54) **LAVATORY**

(56) **References Cited**

(71) Applicant: **TOTO Ltd.**, Kitakyushu (JP)

U.S. PATENT DOCUMENTS

(72) Inventors: **Ayaka Takewaki**, Kitakyushu (JP);
Takanori Shimazoe, Kitakyushu (JP)

D673,660 S 1/2013 Massaud
D724,710 S 3/2015 Clarke et al.
D762,827 S 8/2016 Clarke et al.
D815,259 S 4/2018 Moller et al.
D815,260 S 4/2018 Moller et al.
D875,901 S 2/2020 LeTourneau

(73) Assignee: **TOTO Ltd.**, Kitakyushu (JP)

Primary Examiner — Robert A Delehanty

(**) Term: **15 Years**

(74) *Attorney, Agent, or Firm* — Banner & Witcoff, Ltd.

(21) Appl. No.: **29/764,669**

(57) **CLAIM**

(22) Filed: **Dec. 31, 2020**

The ornamental design for a lavatory, as shown and described.

Related U.S. Application Data

DESCRIPTION

(62) Division of application No. 29/685,674, filed on Mar. 29, 2019.

FIG. 1 is a perspective view of a lavatory showing our new design;

(30) **Foreign Application Priority Data**

Dec. 27, 2018 (JP) 2018-028666
Dec. 27, 2018 (JP) 2018-028667
Dec. 27, 2018 (JP) 2018-028668
Dec. 27, 2018 (JP) 2018-028669
Dec. 27, 2018 (JP) 2018-028670

FIG. 2 is a front view thereof;

FIG. 3 is a rear view thereof;

FIG. 4 is a left side view thereof;

FIG. 5 is a right side view thereof;

FIG. 6 is a top view thereof;

FIG. 7 is a bottom view thereof;

FIG. 8 is a cross sectional view thereof taken in the direction 8-8 in FIG. 6; and,

FIG. 9 is a cross sectional view thereof taken in the direction 9-9 in FIG. 6.

(51) **LOC (13) Cl.** **23-02**

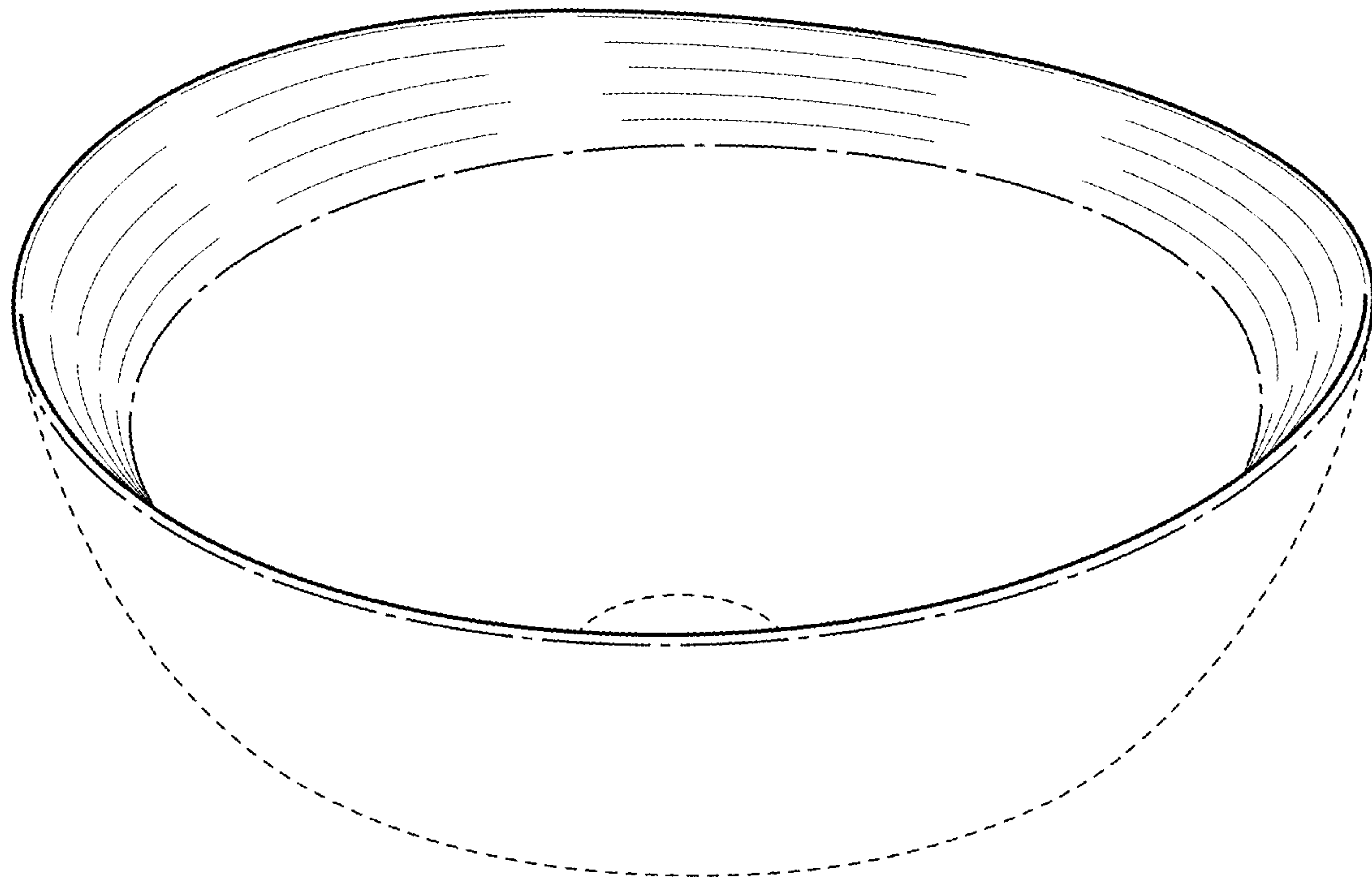
(52) **U.S. Cl.**
USPC **D23/308**

The broken lines in the figures are included for the purpose of illustrating portions of the lavatory that form no part of the claimed design.

(58) **Field of Classification Search**
USPC D23/284, 286, 293.1, 308, 285
CPC A47B 77/06
See application file for complete search history.

The dash-dot-dash broken lines shown in the figures represent an unclaimed boundary between claimed and unclaimed subject matter.

1 Claim, 6 Drawing Sheets



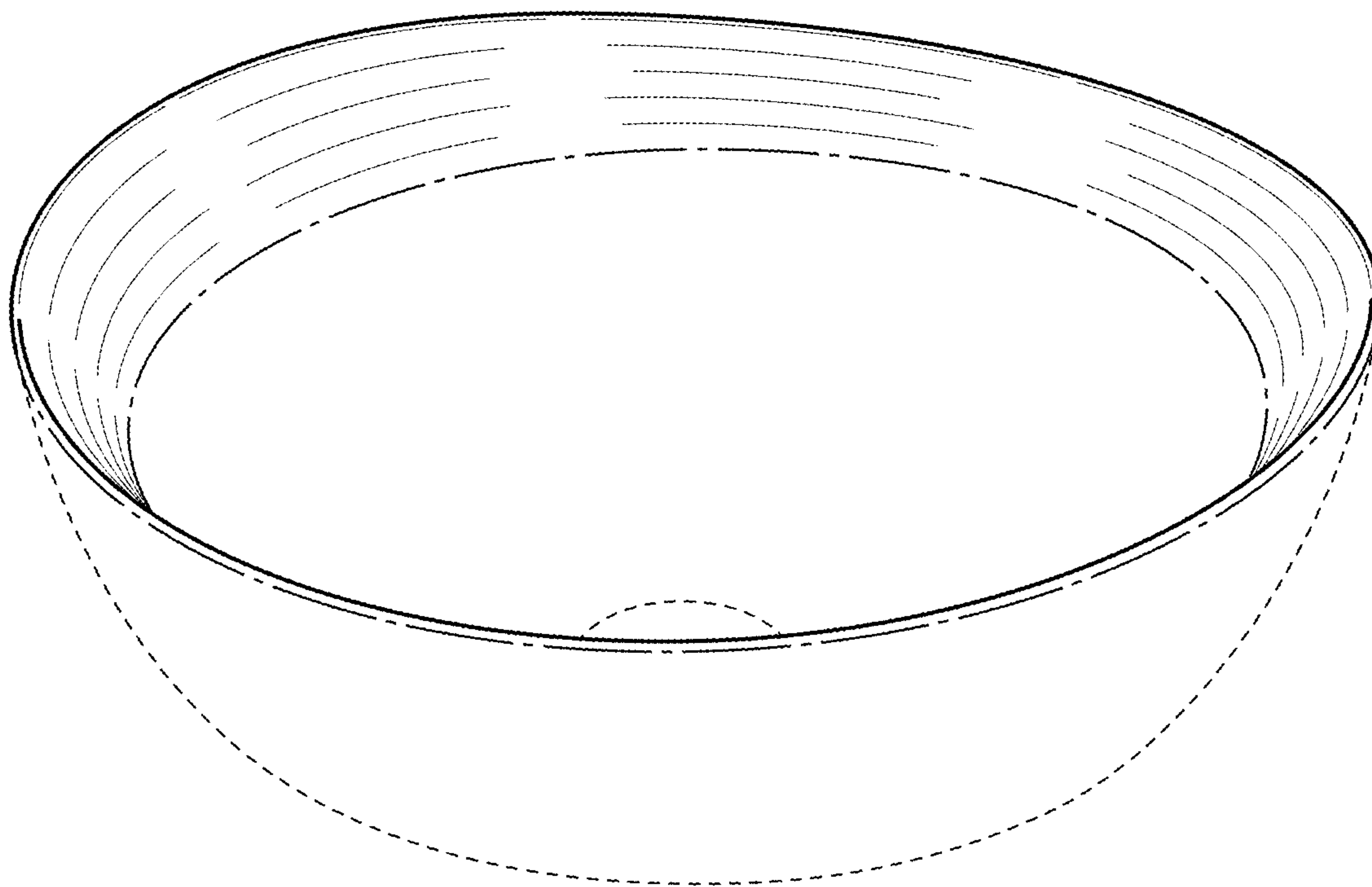


FIG. 1

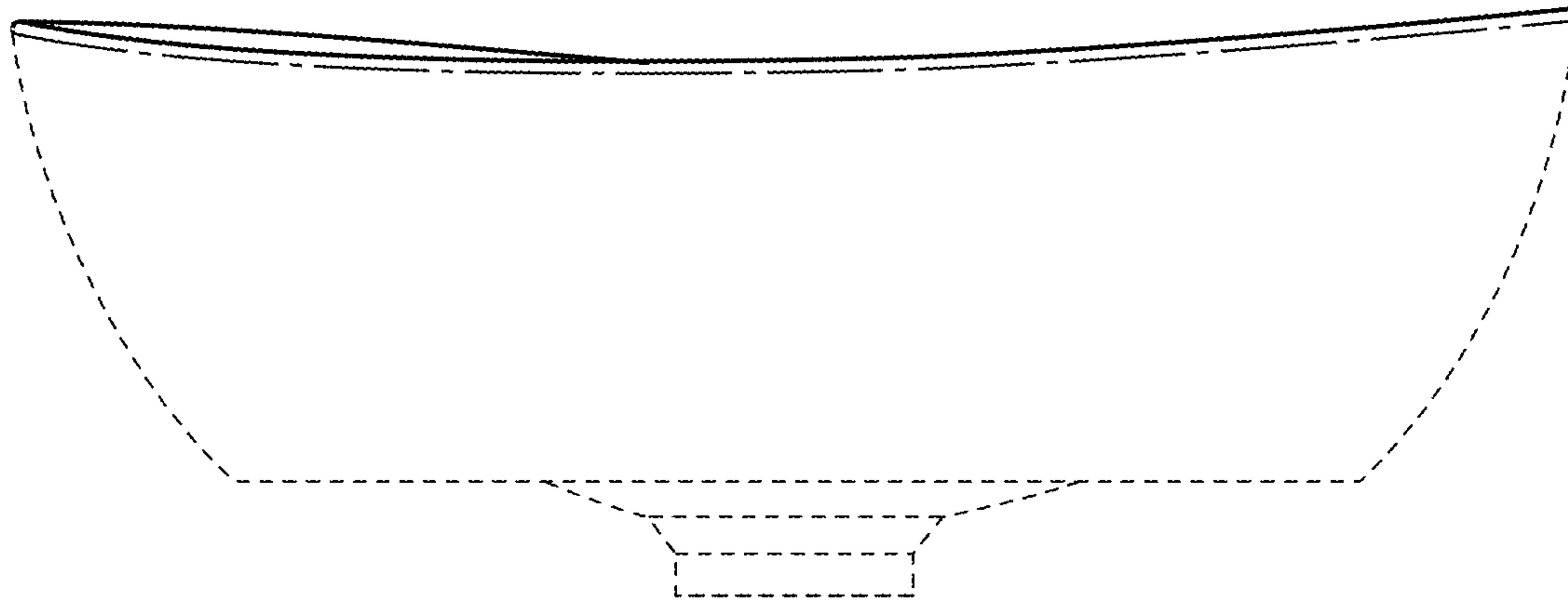


FIG. 2

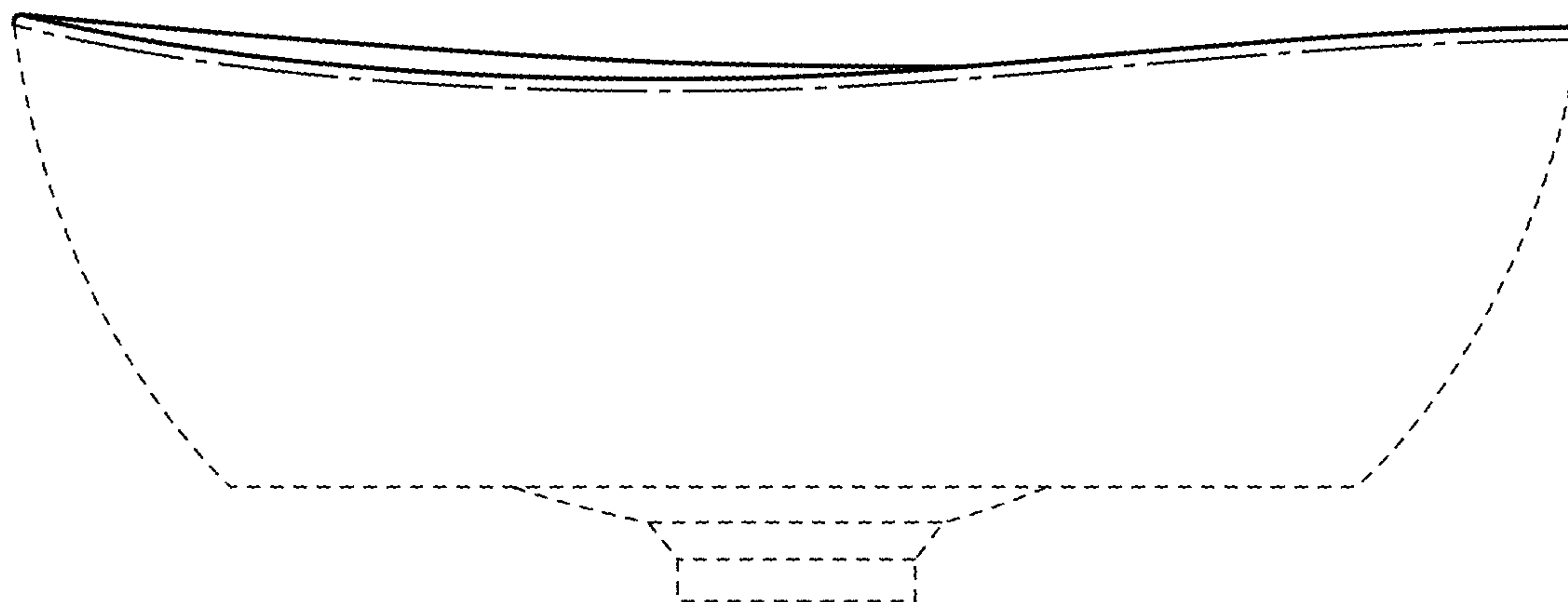


FIG. 3

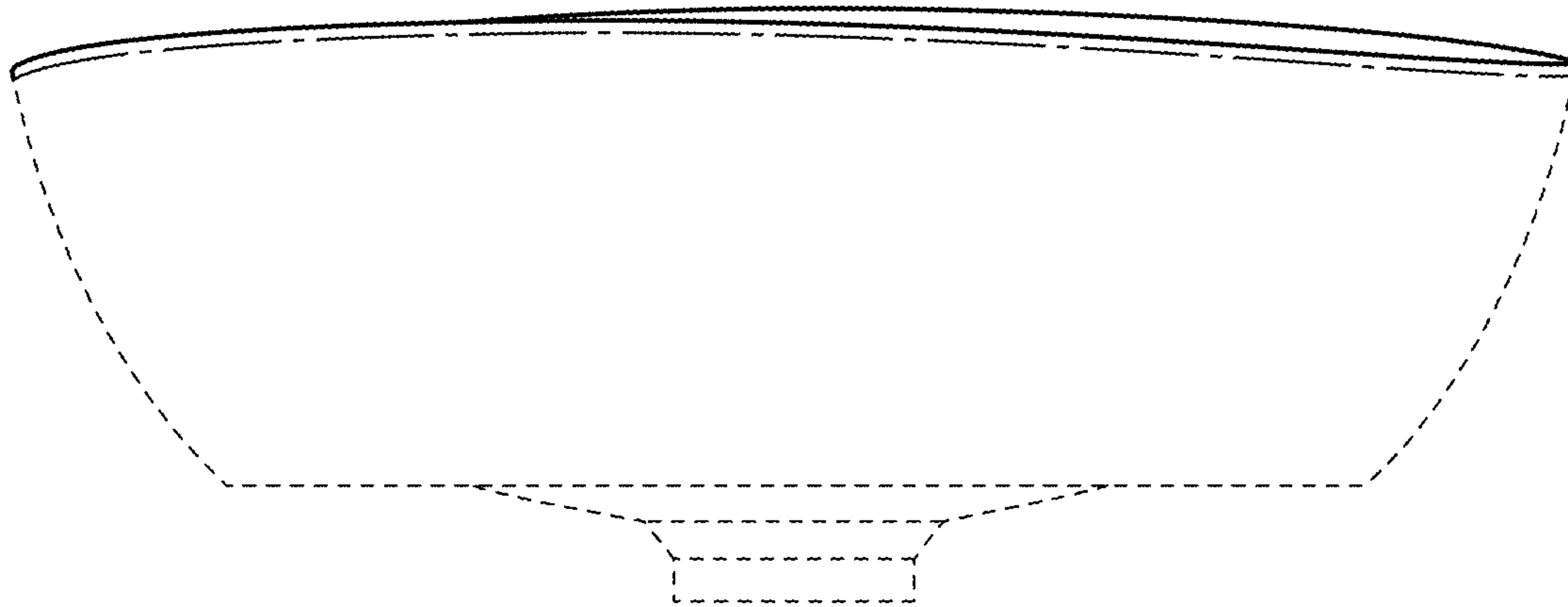


FIG. 4

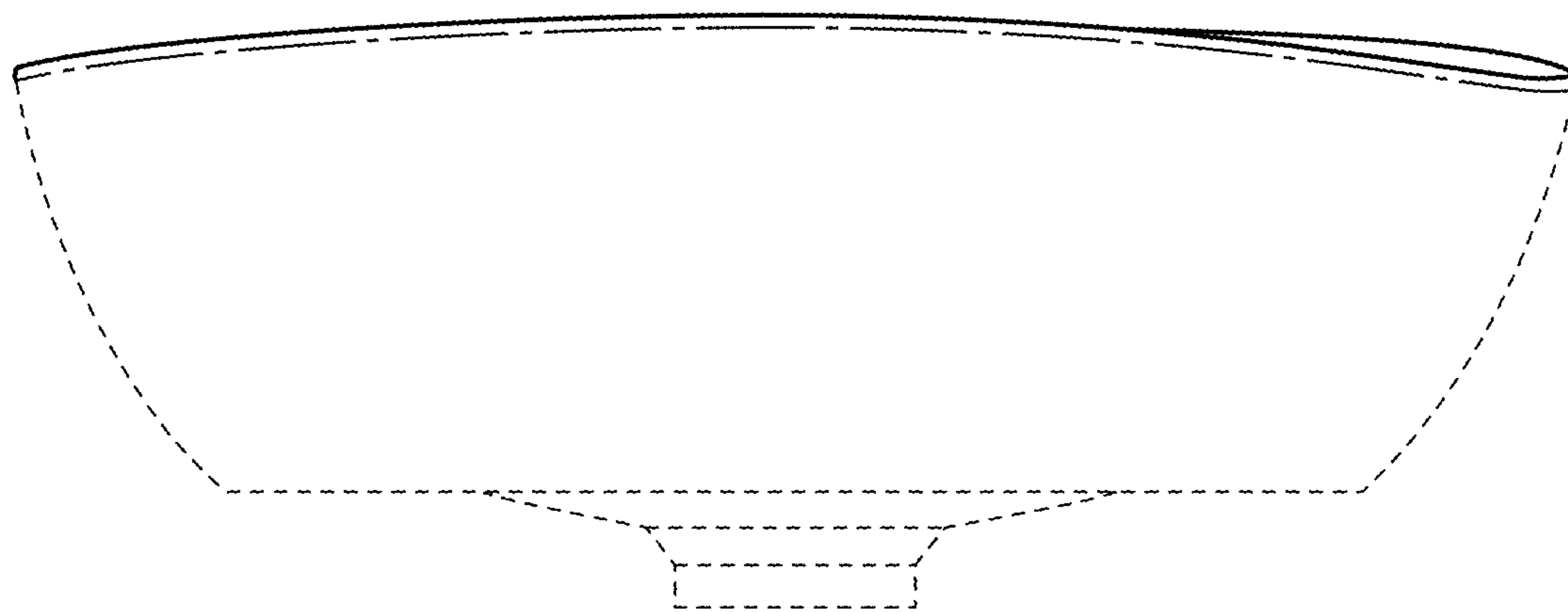


FIG. 5

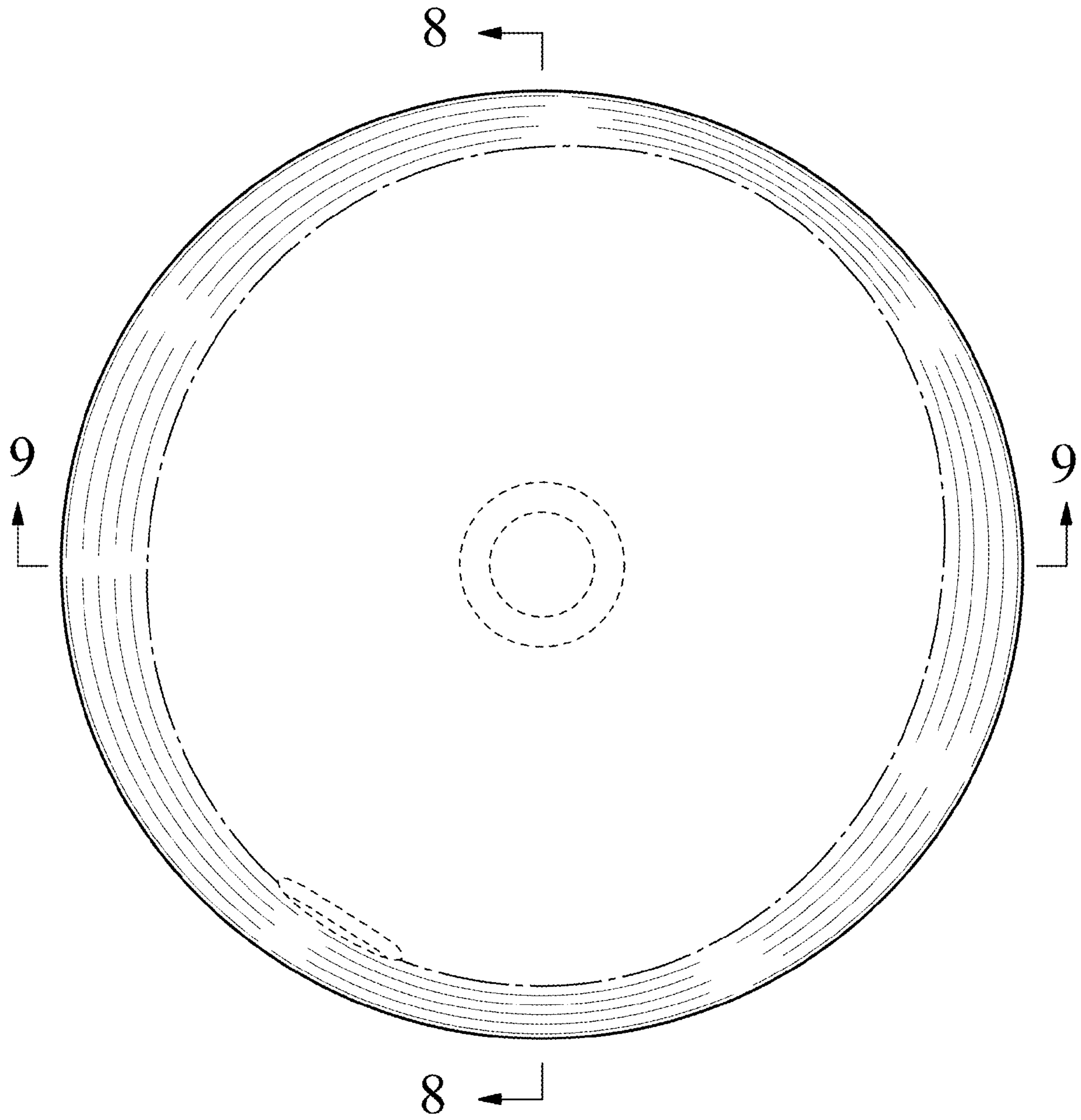


FIG. 6

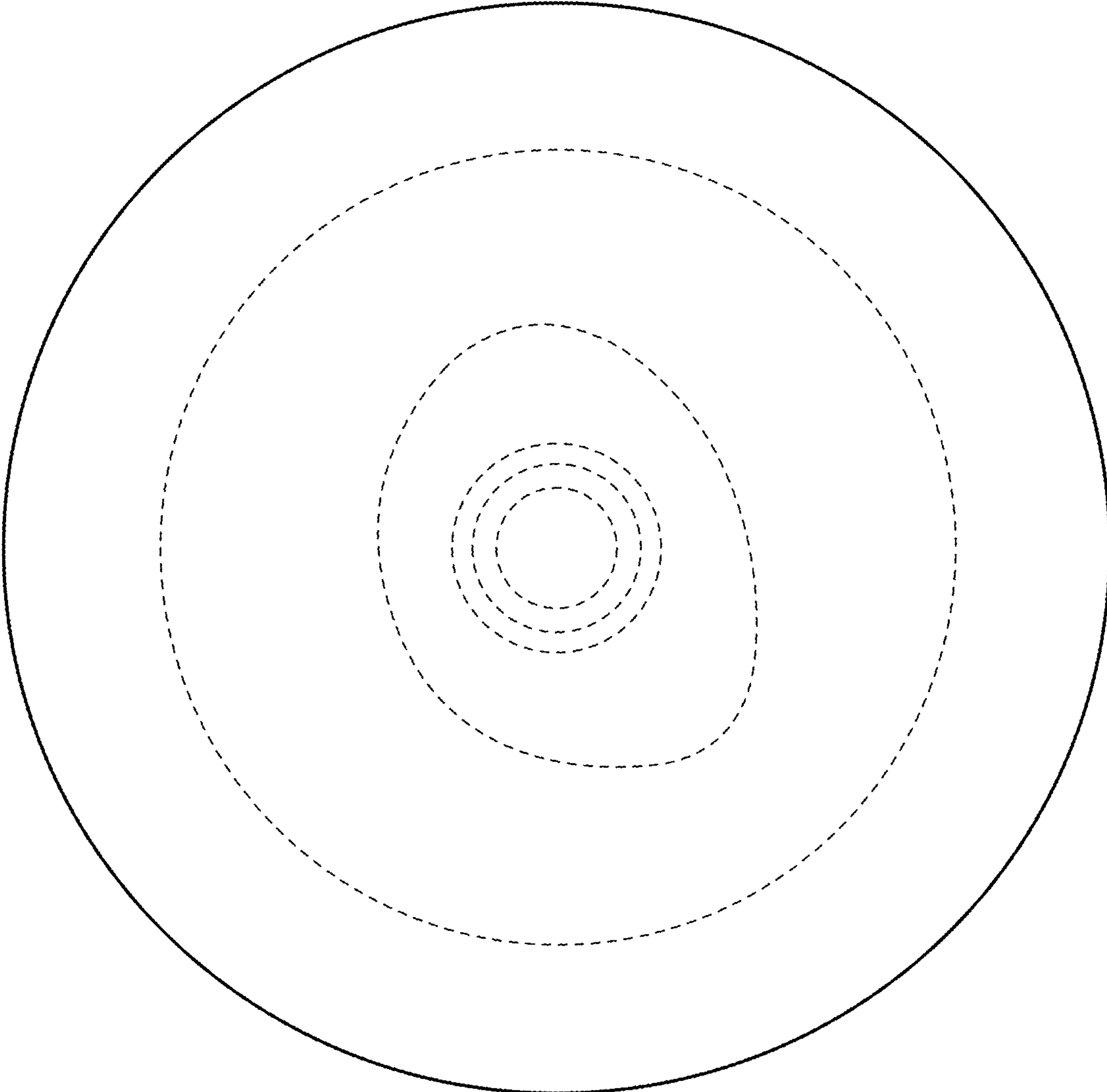


FIG. 7

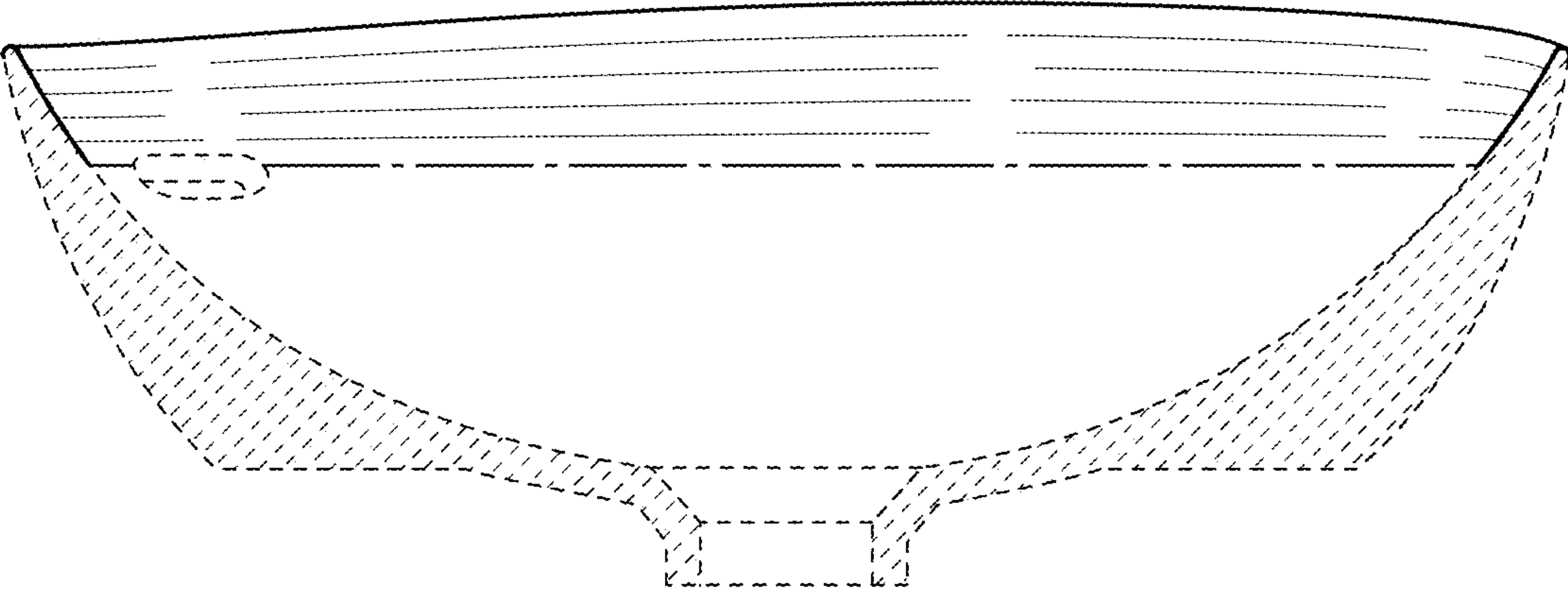


FIG. 8

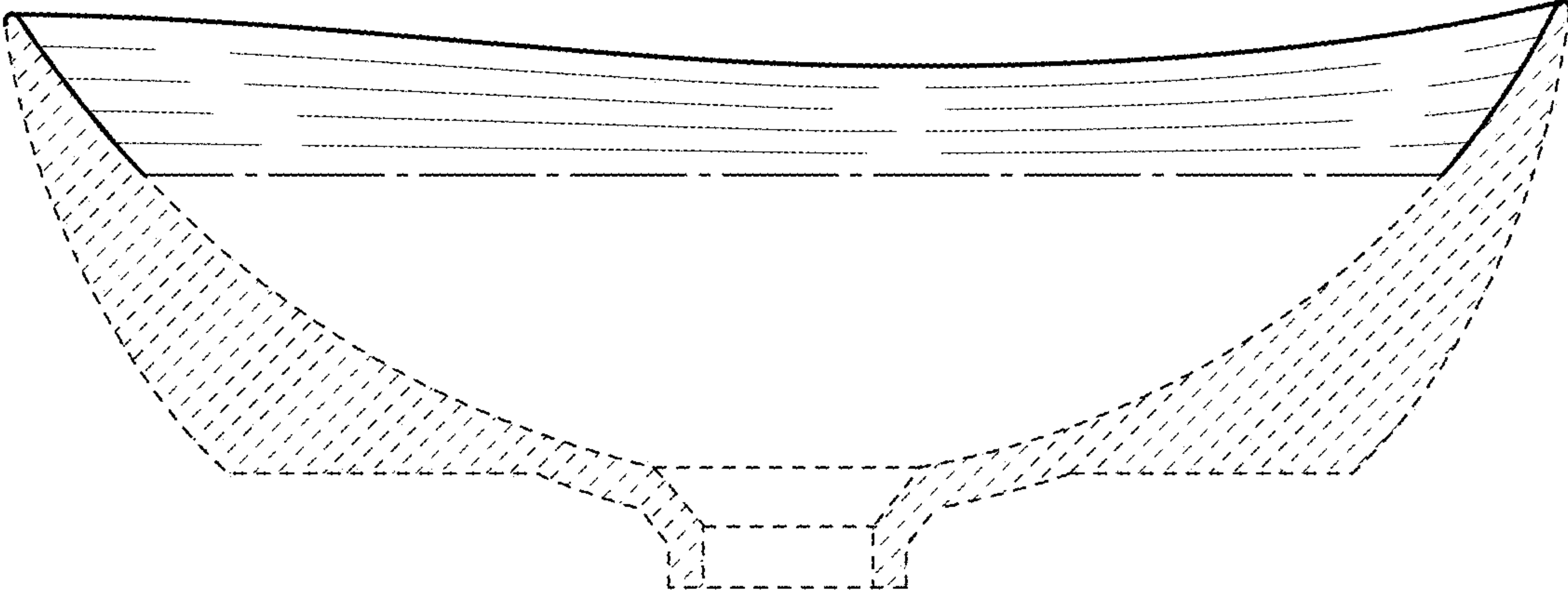


FIG. 9