



US00D920487S

(12) **United States Design Patent** (10) **Patent No.:** **US D920,487 S**
Provost et al. (45) **Date of Patent:** **** May 25, 2021**

(54) **DISINFECTING DEVICE**

(71) Applicant: **Steribin, LLC**, St. George, UT (US)
(72) Inventors: **Wayne A. Provost**, St. George, UT (US); **Zack Manweiler**, St. George, UT (US)

(**) Term: **15 Years**

(21) Appl. No.: **29/757,211**

(22) Filed: **Nov. 4, 2020**

(51) **LOC (13) Cl.** **23-02**

(52) **U.S. Cl.**
USPC **D23/270**; D15/138

(58) **Field of Classification Search**
USPC D23/208, 270-271; D7/341, 338;
D15/122-123, 141, 144.1, 145, 199, 138;
D32/1; D24/217
CPC A61L 2202/122
See application file for complete search history.

(56) **References Cited**

U.S. PATENT DOCUMENTS

D214,353	S	*	6/1969	Reach	D7/338
D264,089	S	*	4/1982	Reid	D15/199
4,669,346	A	*	6/1987	Benedict	B21D 43/003
						D15/122
D301,611	S	*	6/1989	Peterson	D24/217
4,877,964	A	*	10/1989	Tanaka	A61L 2/10
						250/455.11
D342,992	S	*	1/1994	Robertson	D23/270
D348,075	S	*	6/1994	Meyer	D15/199
D367,486	S	*	2/1996	Bunker	D15/199
D413,341	S	*	8/1999	Gellerson	D15/199
5,958,336	A	*	9/1999	Duarte	A61L 2/10
						422/24
D418,528	S	*	1/2000	Honjo	D15/199
D615,257	S	*	5/2010	Helm	D32/1

(Continued)

OTHER PUBLICATIONS

Desktop conveyor belt UV led curing machine. <http://www.height-led.com/en/uvledbelt/show/79.html> (Year: 2017).*

Primary Examiner — Robert A Delehanty
(74) *Attorney, Agent, or Firm* — David R. Conklin;
Kirton McConkie

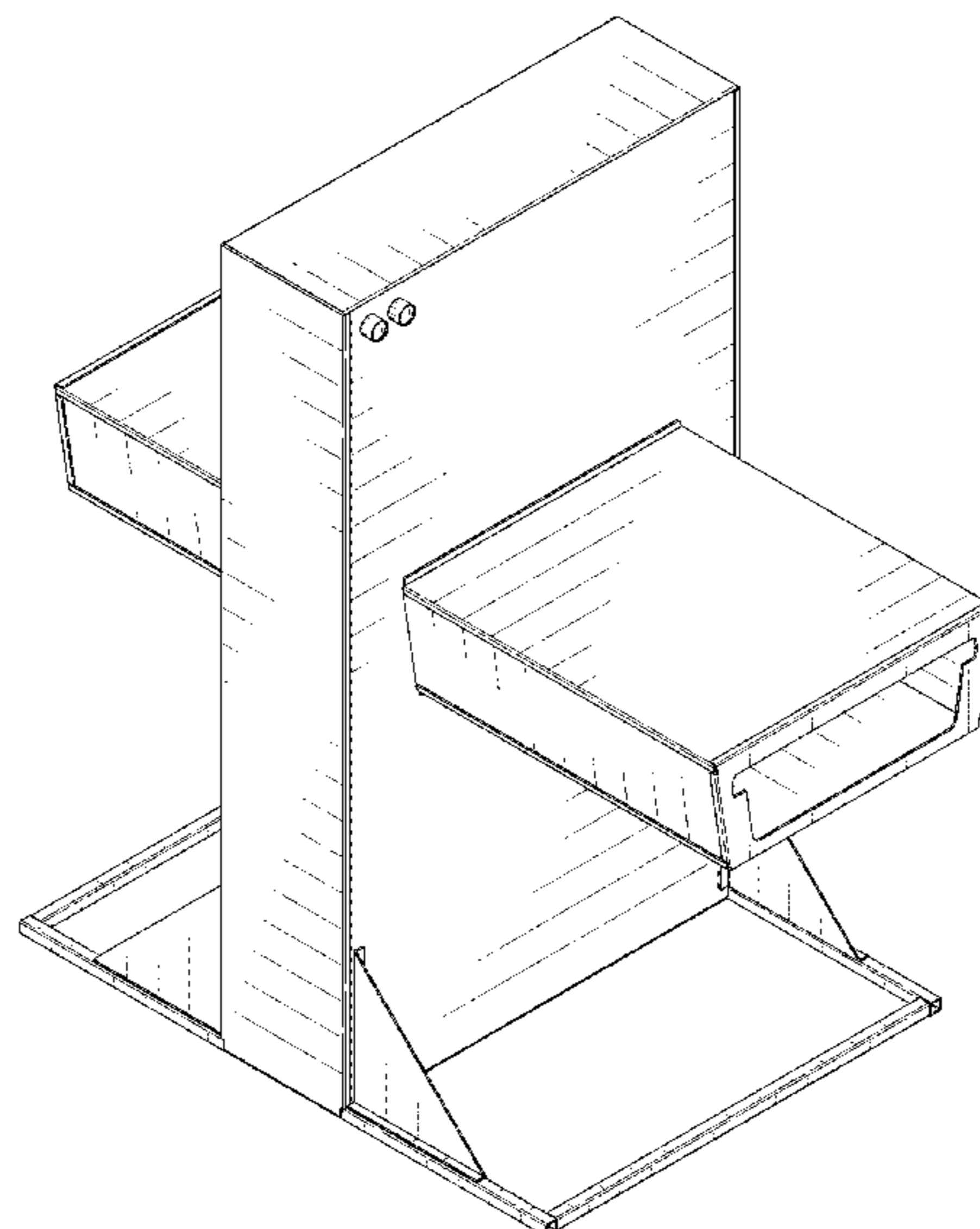
(57) **CLAIM**

The ornamental design for a disinfecting device, as shown and described.

DESCRIPTION

FIG. 1 is the top, front, and left perspective view of a disinfecting device.
 FIG. 2 is a front elevation view of a disinfecting device of FIG. 1.
 FIG. 3 is a rear elevation view of the disinfecting device of FIG. 1.
 FIG. 4 is a right elevation view of the disinfecting device of FIG. 1.
 FIG. 5 is a left elevation view of the disinfecting device of FIG. 1.
 FIG. 6 is a top plan view of the disinfecting device of FIG. 1.
 FIG. 7 is the top, front, and left perspective view of a disinfecting device.
 FIG. 8 is a front elevation view of a disinfecting device of FIG. 7.
 FIG. 9 is a rear elevation view of the disinfecting device of FIG. 7.
 FIG. 10 is a right elevation view of the disinfecting device of FIG. 7.
 FIG. 11 is a left elevation view of the disinfecting device of FIG. 7; and,
 FIG. 12 is a top plan view of the disinfecting device of FIG. 7.
 The broken lines shown in FIGS. 7-12 depict an environment that forms no part of the claim.

1 Claim, 12 Drawing Sheets



(56)

References Cited

U.S. PATENT DOCUMENTS

10,647,461 B2 * 5/2020 Altmann A61L 2/206
10,842,894 B1 * 11/2020 Provost A61L 2/10
2004/0197248 A1 * 10/2004 Hasegawa A61L 2/07
422/297
2010/0124520 A1 * 5/2010 Calvert A61L 2/24
422/300
2013/0277574 A1 * 10/2013 Dayton A61L 2/10
250/455.11
2021/0023248 A1 * 1/2021 Townsend A61L 2/10

* cited by examiner

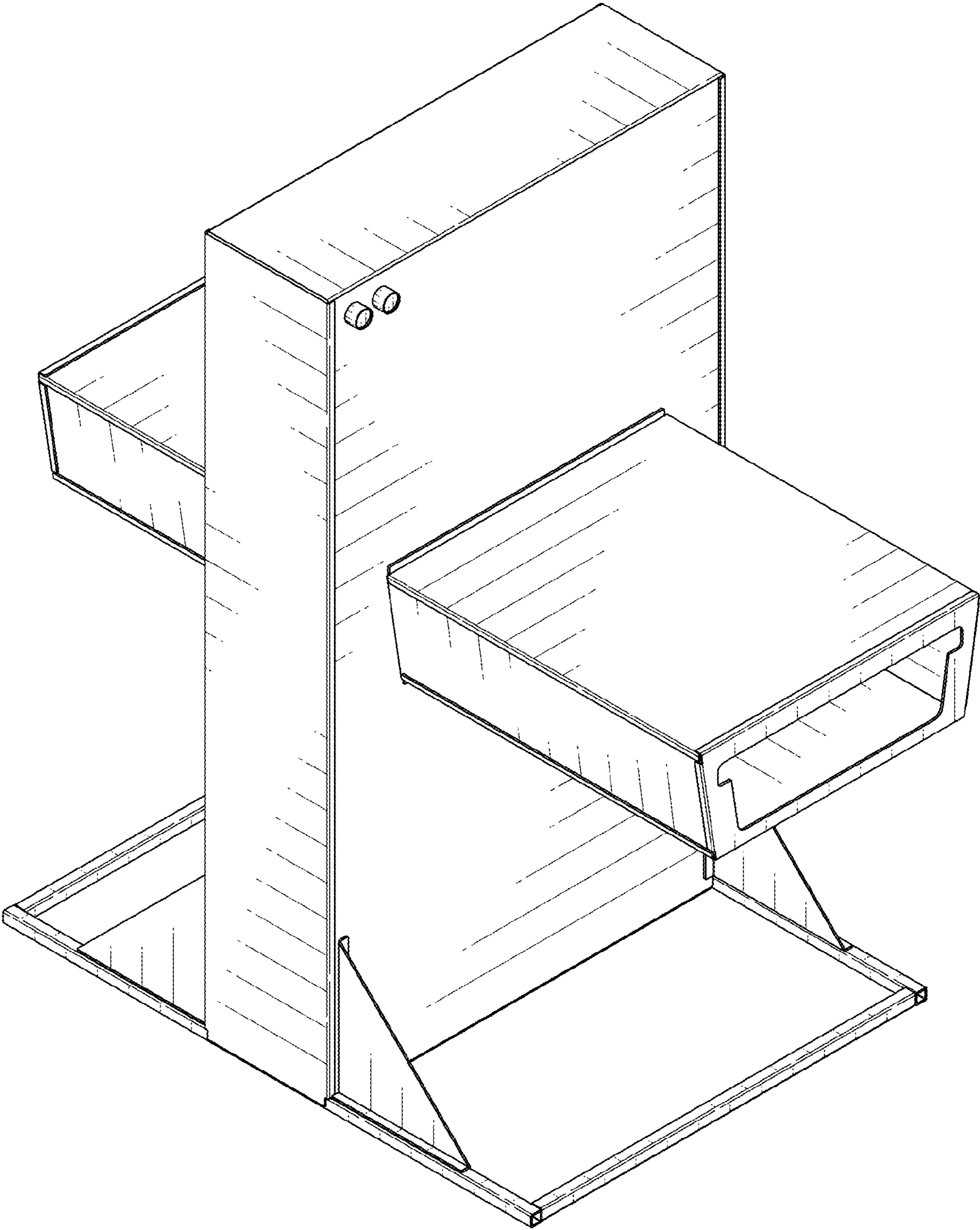


FIG. 1

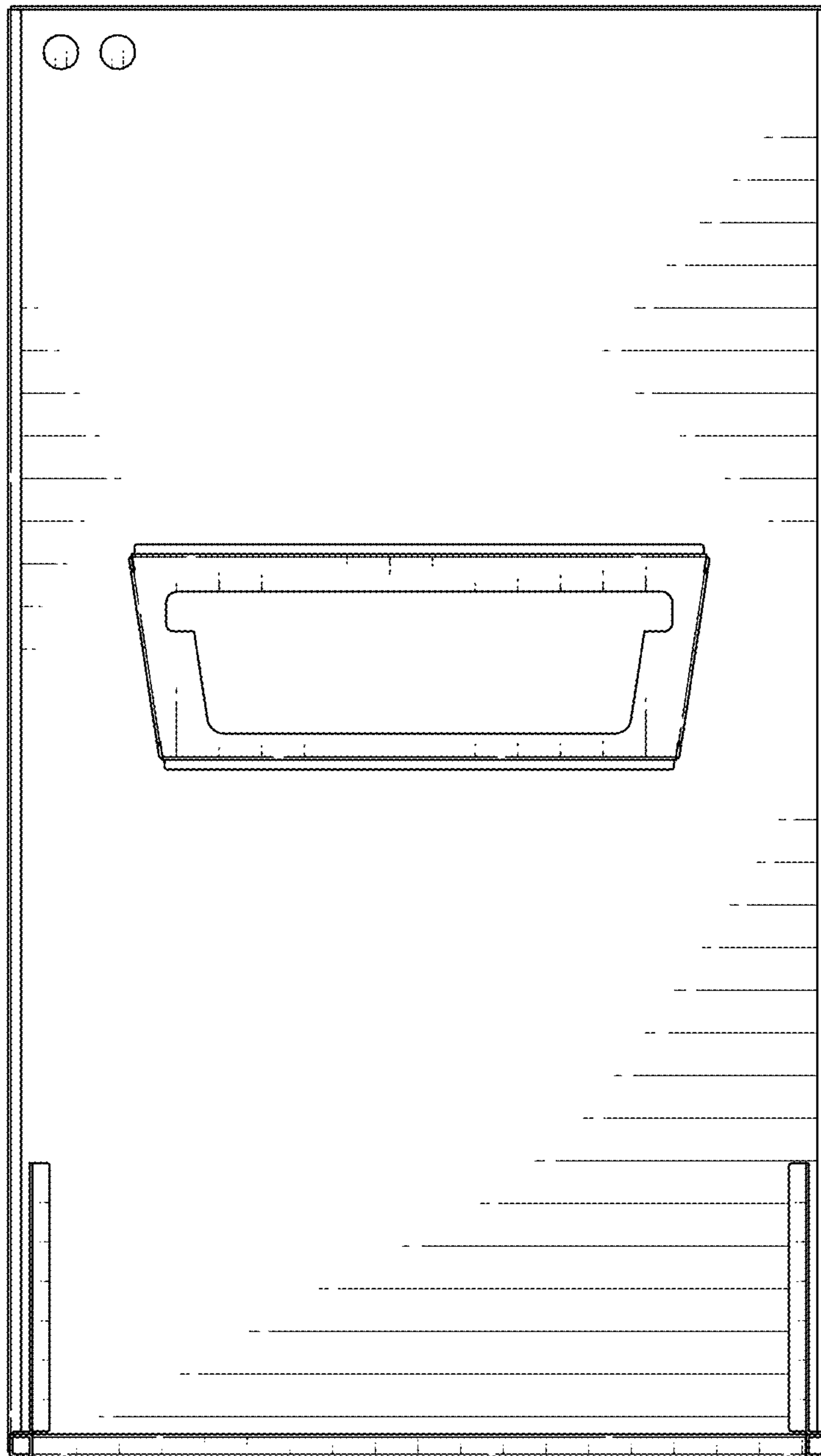


FIG. 2

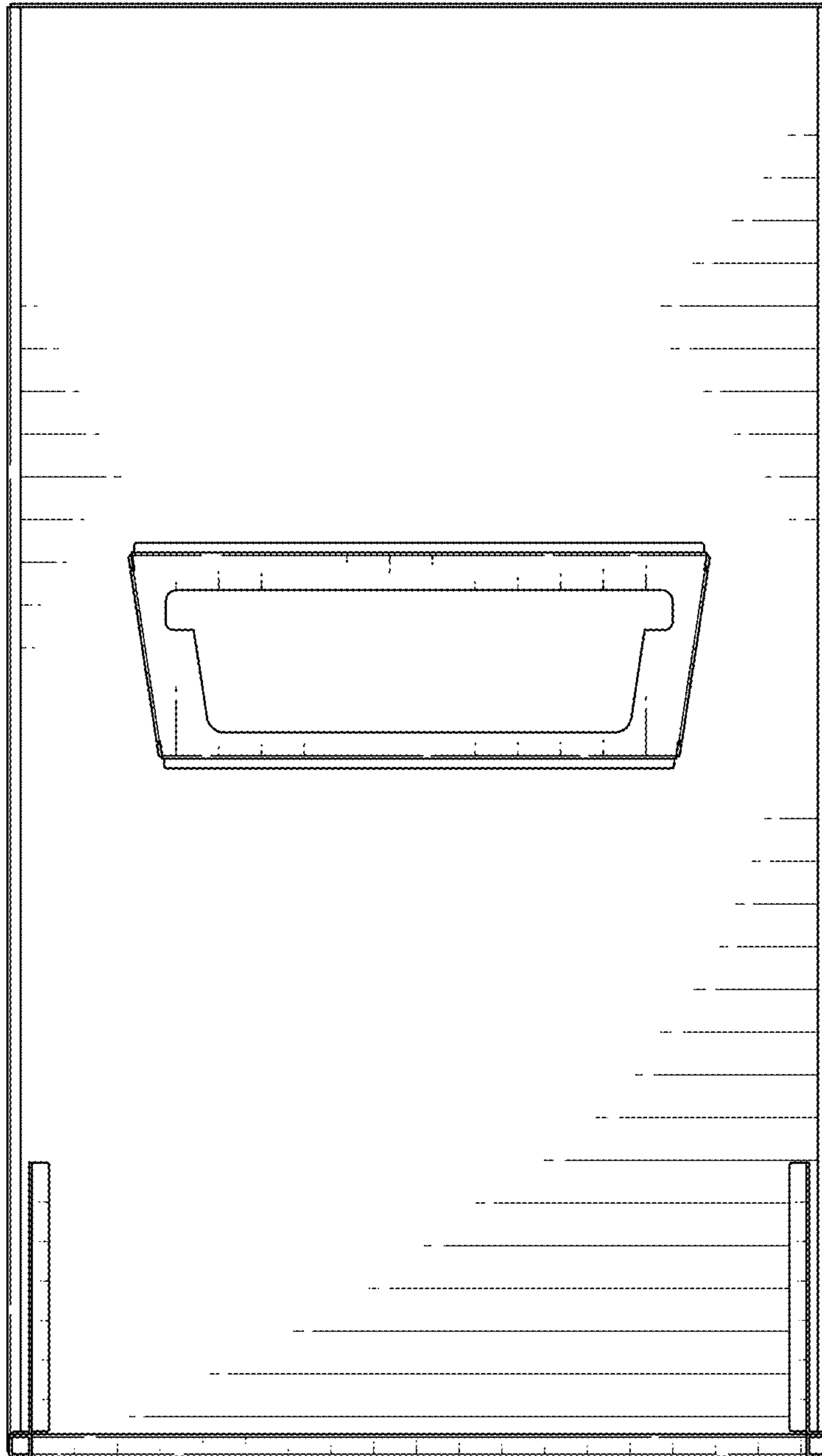


FIG. 3

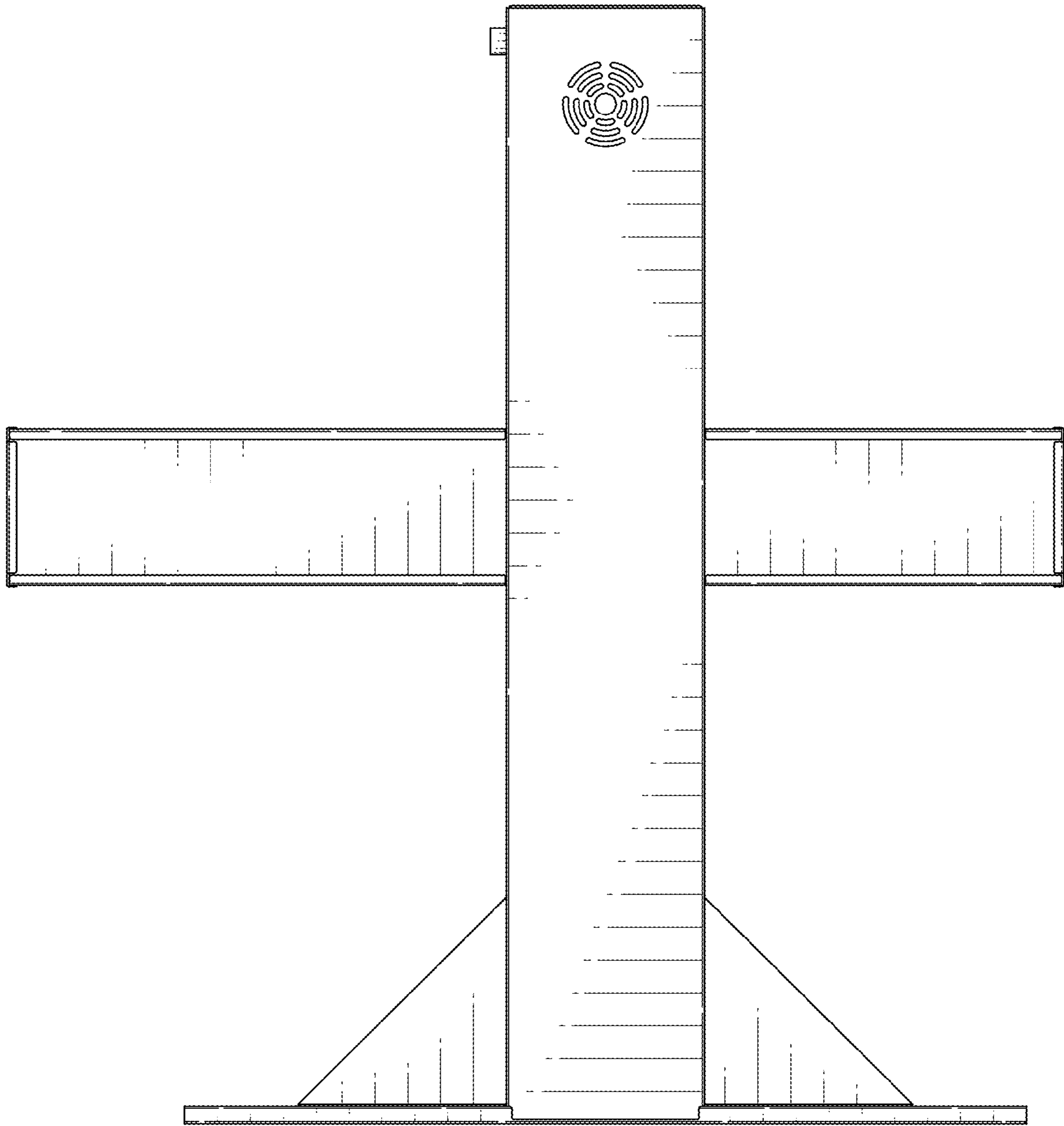


FIG. 4

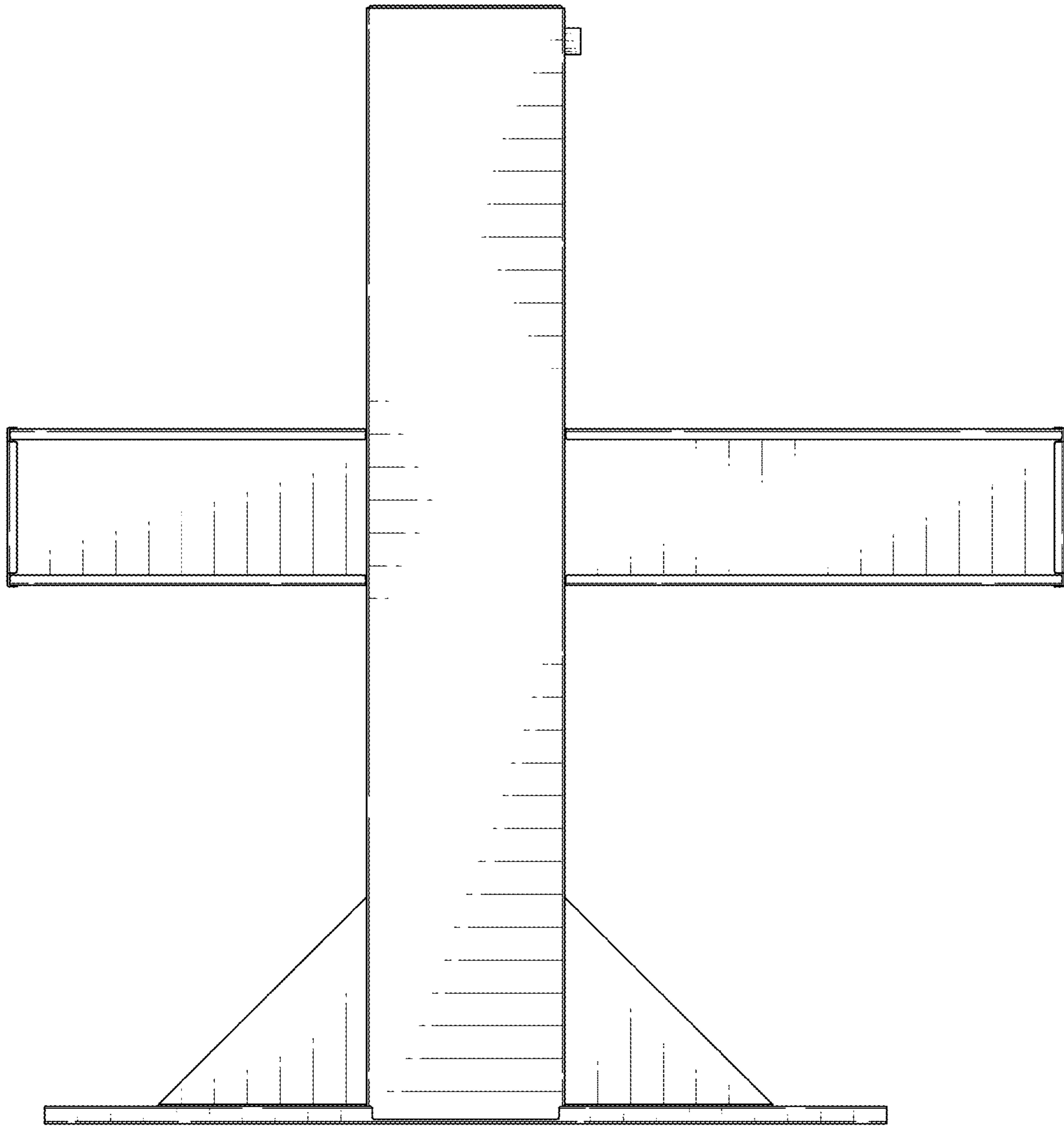


FIG. 5

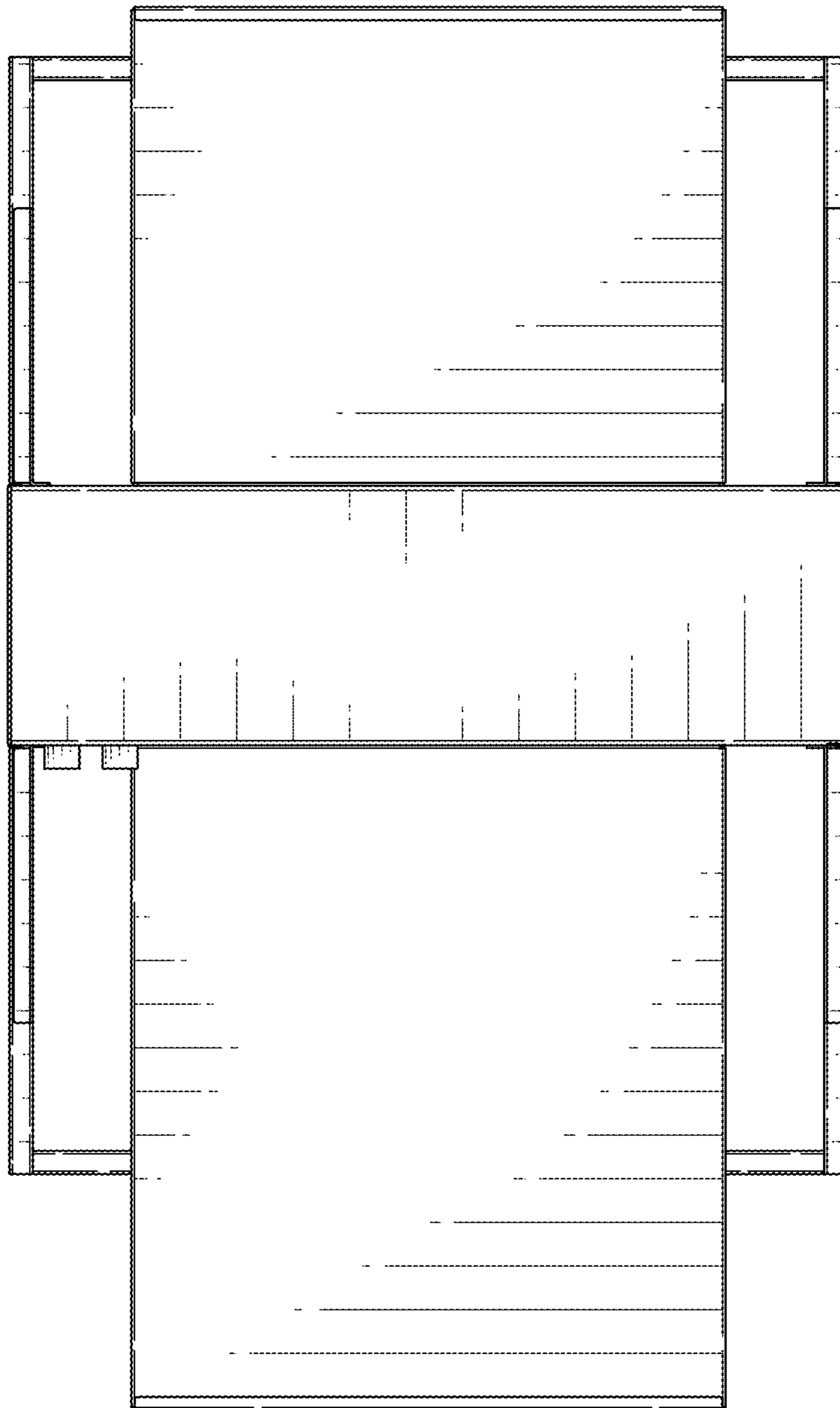


FIG. 6

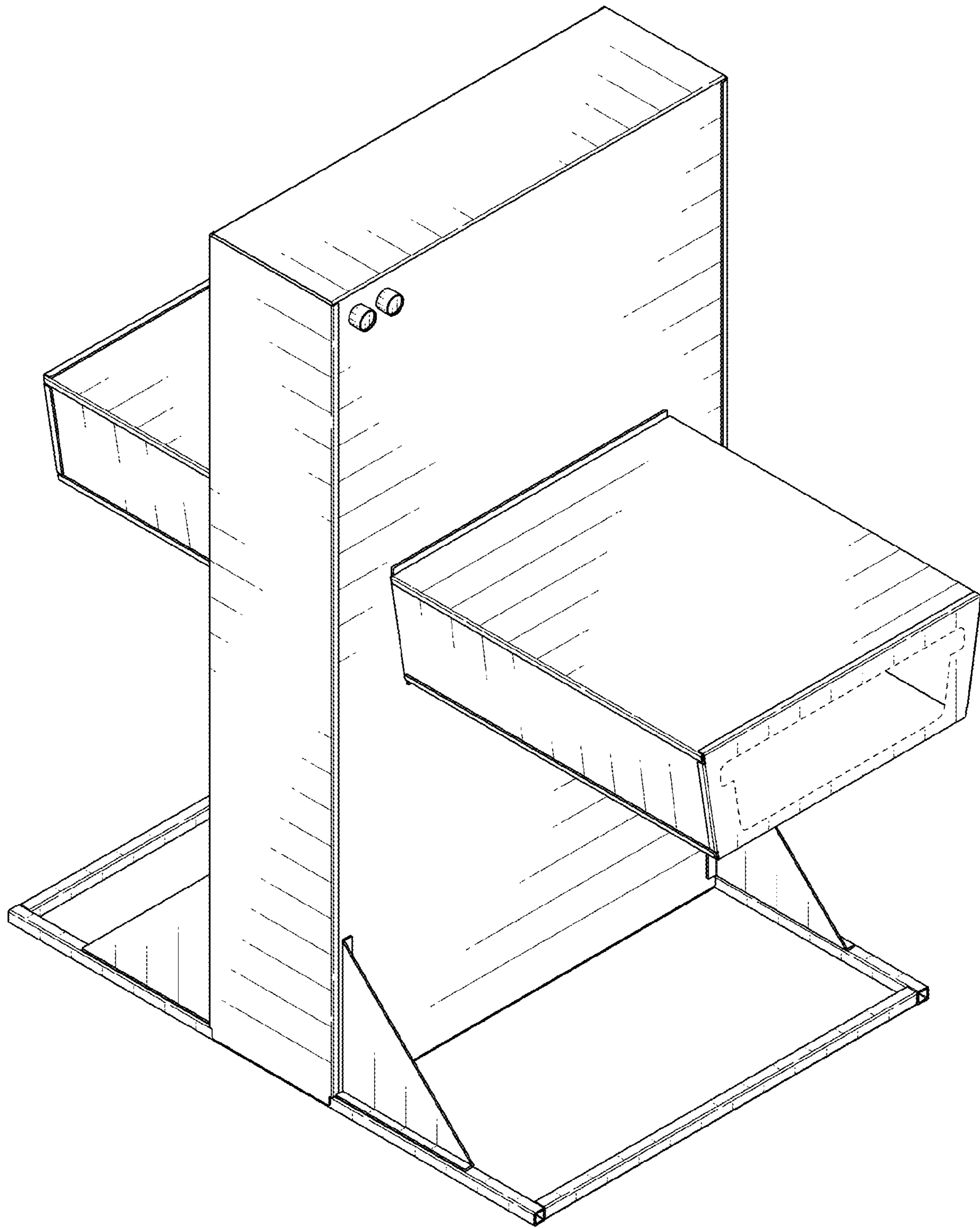


FIG. 7

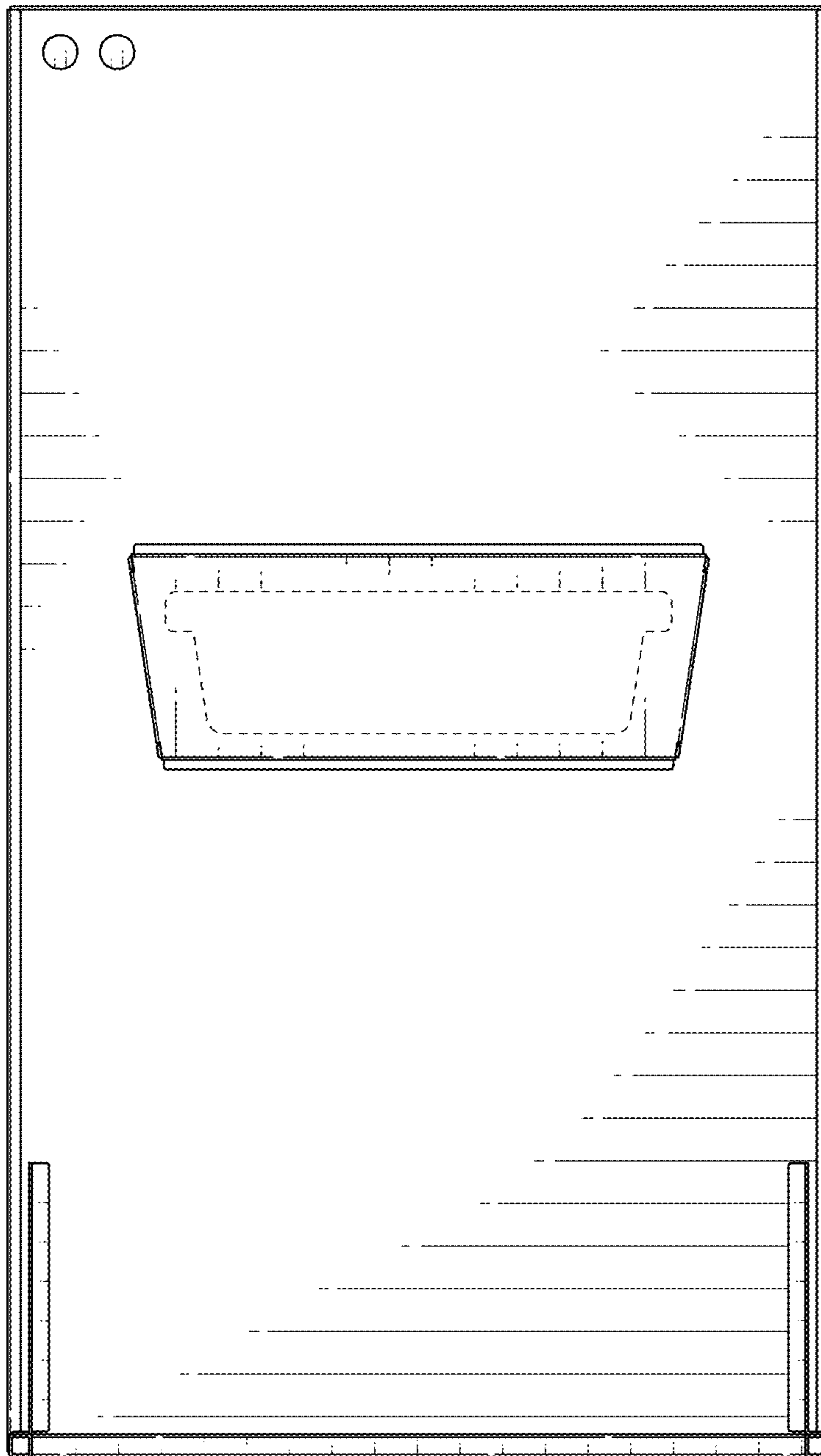


FIG. 8

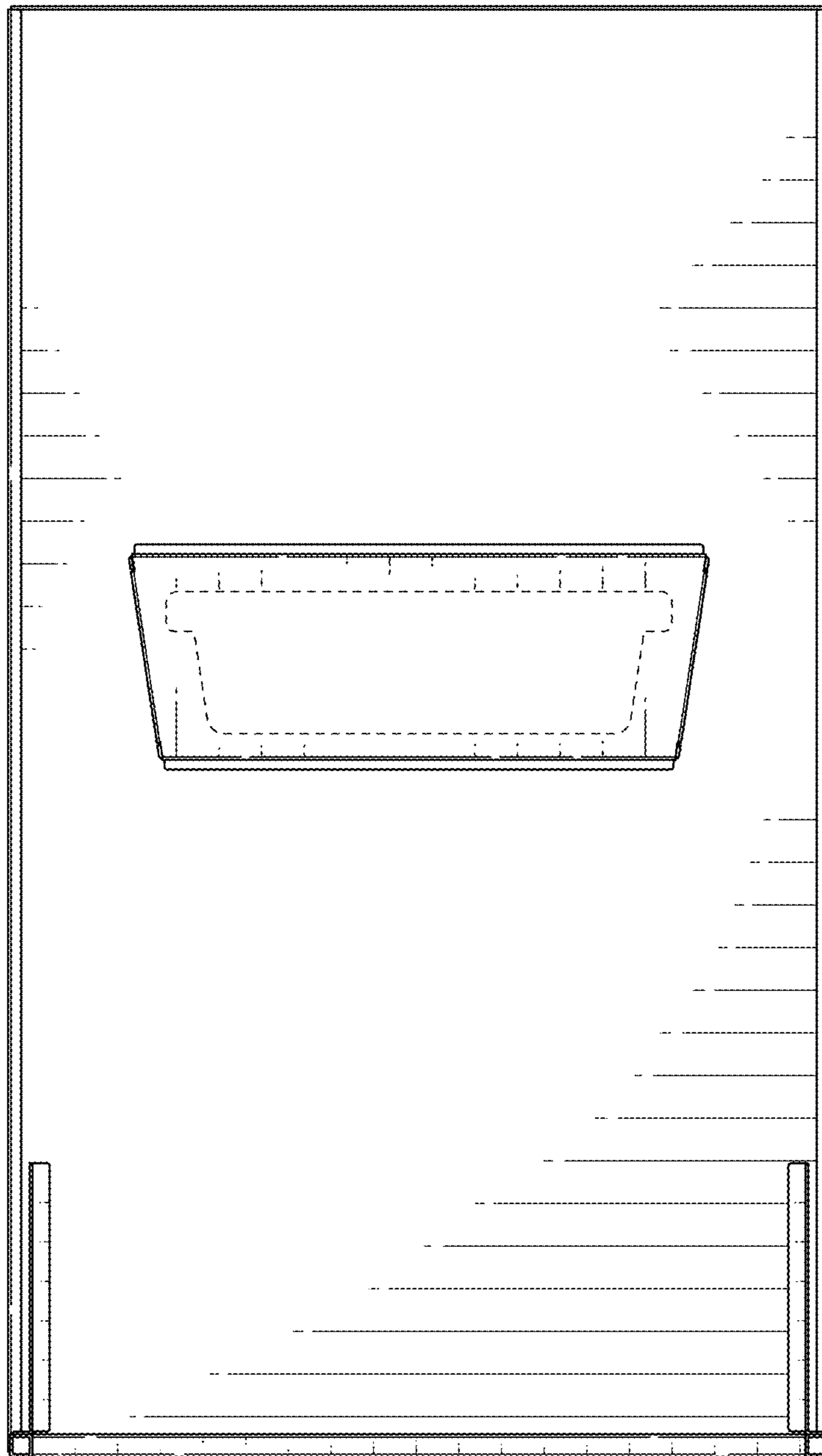


FIG. 9

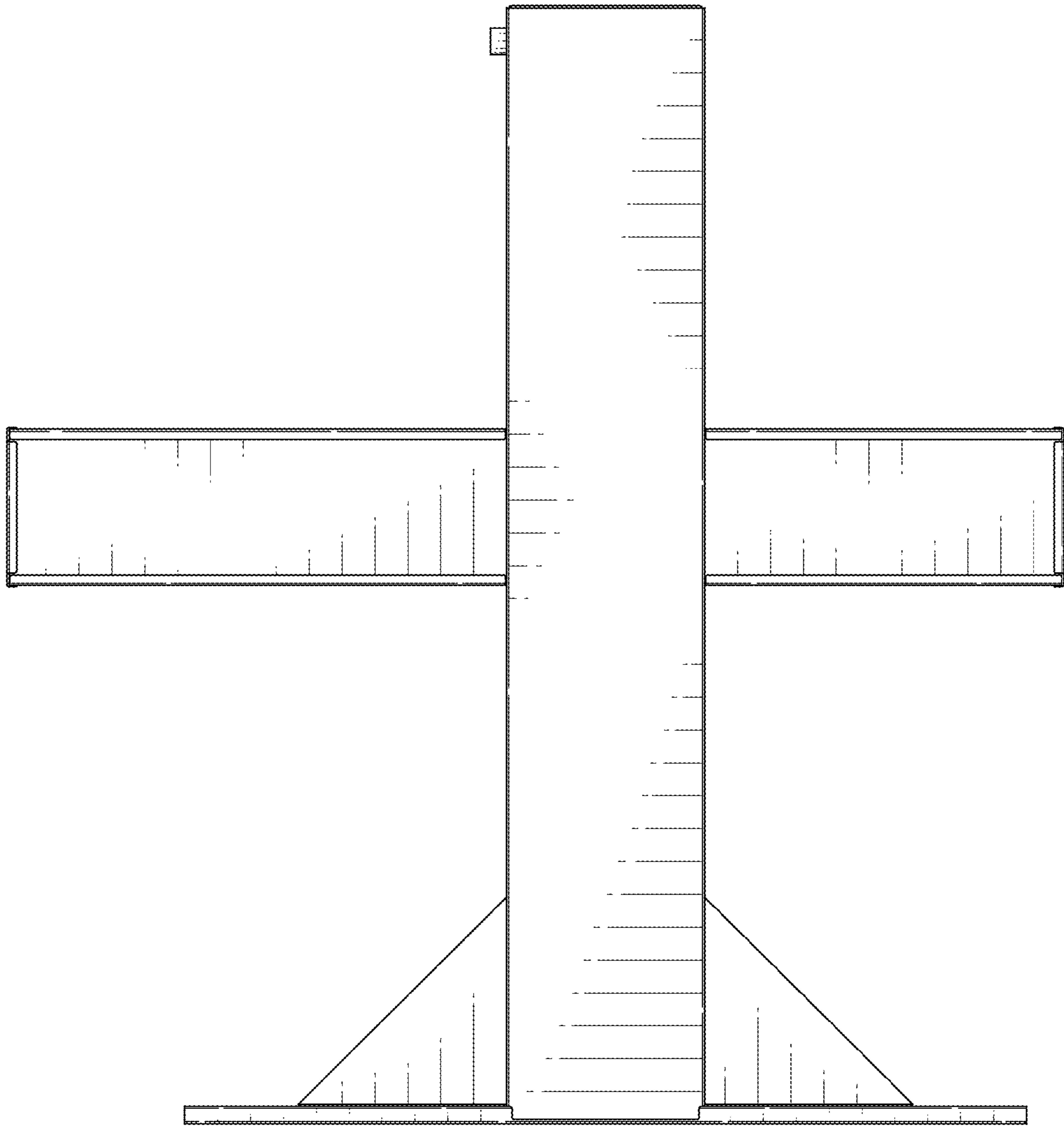


FIG. 10

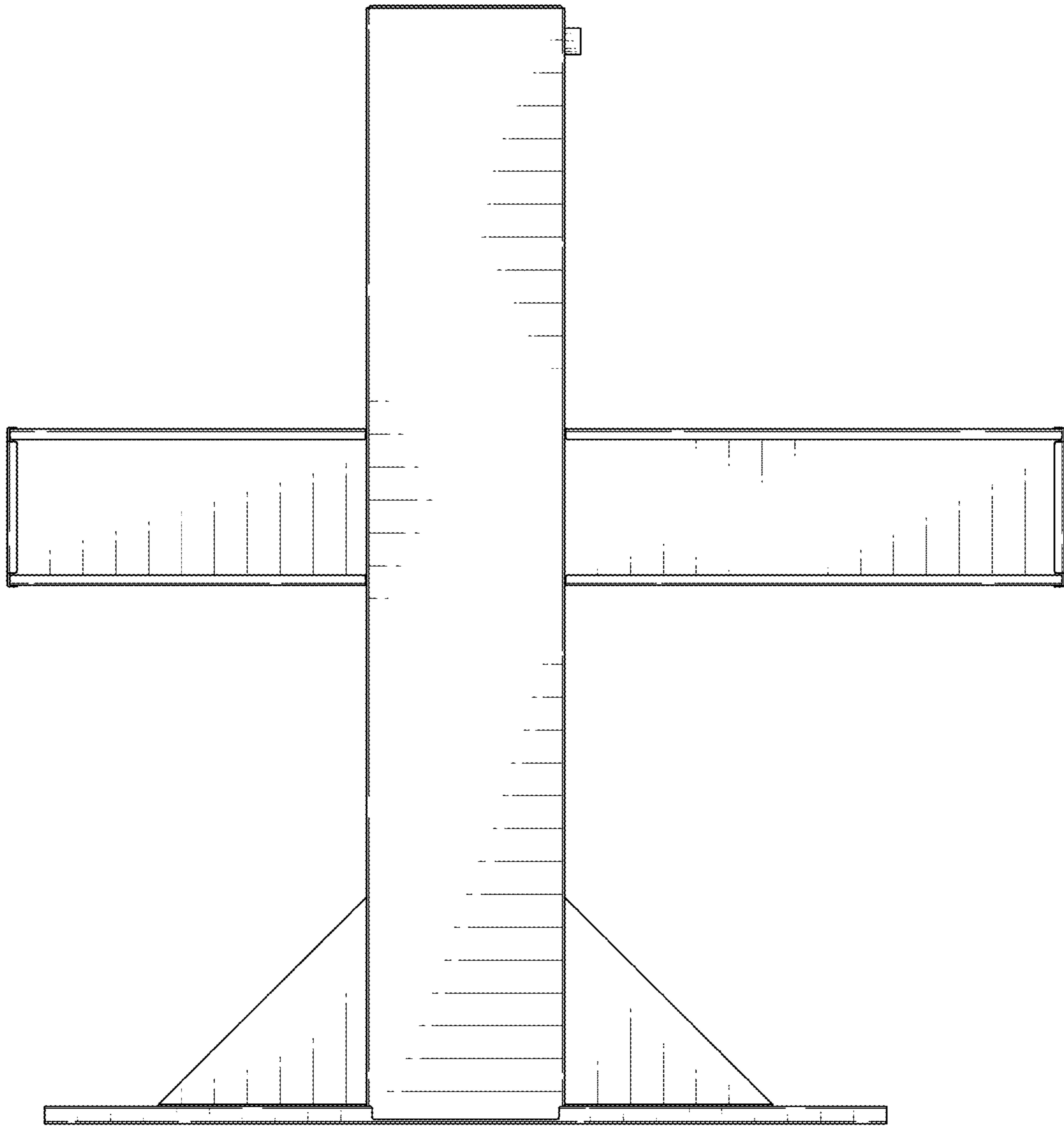


FIG. 11

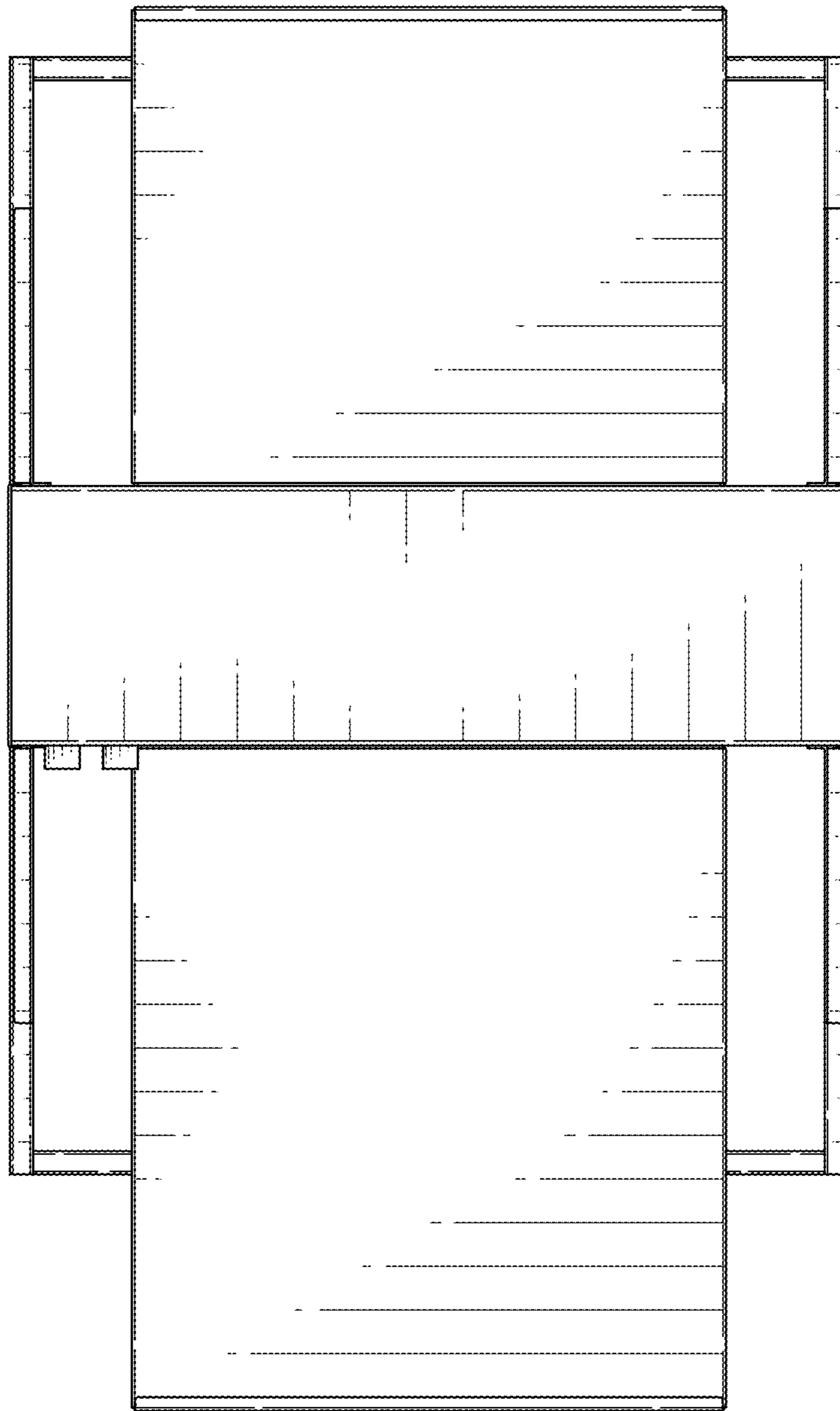


FIG. 12