



US00D920486S

(12) **United States Design Patent**
Richter et al.

(10) **Patent No.:** **US D920,486 S**

(45) **Date of Patent:** **** May 25, 2021**

(54) **TRANSPARENTLY-WRAPPED
ELECTROSTATIC SPRAYER FLUID TUBE**

(71) Applicant: **Graco Minnesota Inc.**, Minneapolis,
MN (US)

(72) Inventors: **Mark C. Richter**, River Falls, WI
(US); **Mark E. Ulrich**, Oak Grove, MN
(US)

(73) Assignee: **Graco Minnesota Inc.**, Minneapolis,
MN (US)

(**) Term: **15 Years**

(21) Appl. No.: **29/690,575**

(22) Filed: **May 9, 2019**

(51) **LOC (13) Cl.** **23-01**

(52) **U.S. Cl.**
USPC **D23/266**

(58) **Field of Classification Search**
USPC D23/269–261, 266, 324; 138/108–109,
138/118, 118.1, 129, 137
CPC F16L 11/12
See application file for complete search history.

(56) **References Cited**

U.S. PATENT DOCUMENTS

- 3,021,871 A * 2/1962 Rodgers F16L 11/06
138/118
- 3,623,513 A * 11/1971 Dinkelkamp F16L 33/01
138/114
- 4,846,794 A * 7/1989 Hertzner A61M 39/08
604/83
- D379,404 S * 5/1997 Spelts D23/266
- 6,910,505 B2 * 6/2005 Weck F16L 11/12
138/109
- D586,435 S * 2/2009 Reckseen D23/266
- D611,576 S * 3/2010 Tokuno D23/266
- D642,245 S * 7/2011 Mezzalira D23/266

- 2001/0010339 A1* 8/2001 Thomas F16L 11/12
239/195
- 2002/0000720 A1* 1/2002 Knowles F16L 35/005
285/308
- 2011/0303317 A1* 12/2011 Montalvo F16L 11/112
138/129

(Continued)

FOREIGN PATENT DOCUMENTS

JP D 1476155 S 8/2013

OTHER PUBLICATIONS

First Search Report for ROC (Taiwan) Design Application No.
108306904, Jul. 3, 2020, pp. 5.

(Continued)

Primary Examiner — Amy C Wierenga

(74) *Attorney, Agent, or Firm* — Kinney & Lange, P.A.

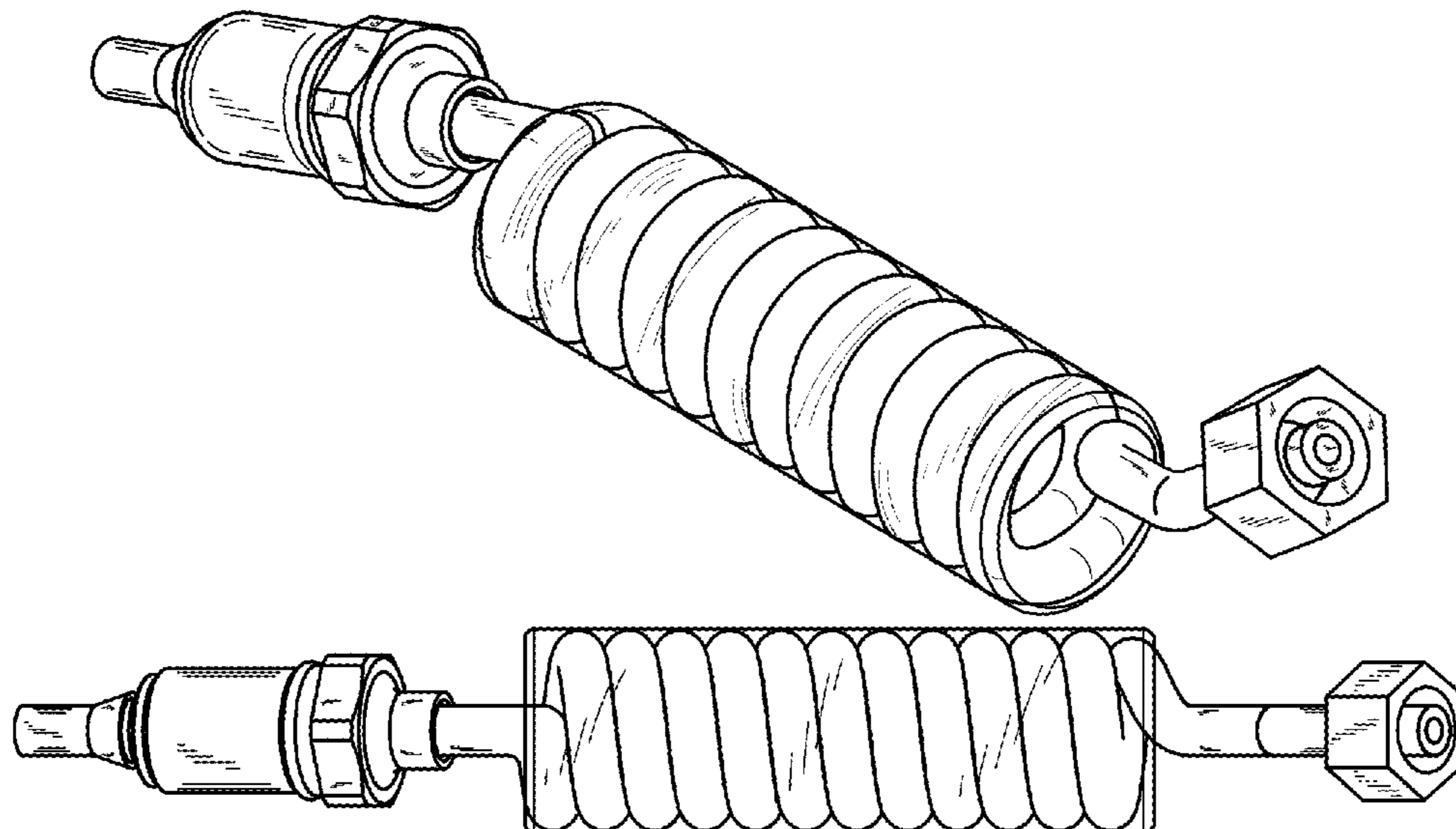
(57) **CLAIM**

The ornamental design for a transparently-wrapped electro-
static sprayer fluid tube, as shown and described.

DESCRIPTION

FIG. 1 is a perspective view of a transparently-wrapped electrostatic sprayer fluid tube;
 FIG. 2 is a top plan view of the transparently-wrapped electrostatic sprayer fluid tube;
 FIG. 3 is a left side view of the transparently-wrapped electrostatic sprayer fluid tube;
 FIG. 4 is a right side view of the transparently-wrapped electrostatic sprayer fluid tube;
 FIG. 5 is a bottom plan view of the transparently-wrapped electrostatic sprayer fluid tube;
 FIG. 6 is a rear elevational view of the transparently-wrapped electrostatic sprayer fluid tube; and,
 FIG. 7 is a front elevational view of the transparently-wrapped electrostatic sprayer fluid tube.

1 Claim, 7 Drawing Sheets



(56)

References Cited

U.S. PATENT DOCUMENTS

2018/0195648 A1* 7/2018 Yeiser F16L 27/04
2018/0347738 A1* 12/2018 Zhang F16L 11/10

OTHER PUBLICATIONS

Indian Examination Report for IN Application No. 323332-001,
Dated Dec. 30, 2019, pp. 4.

* cited by examiner

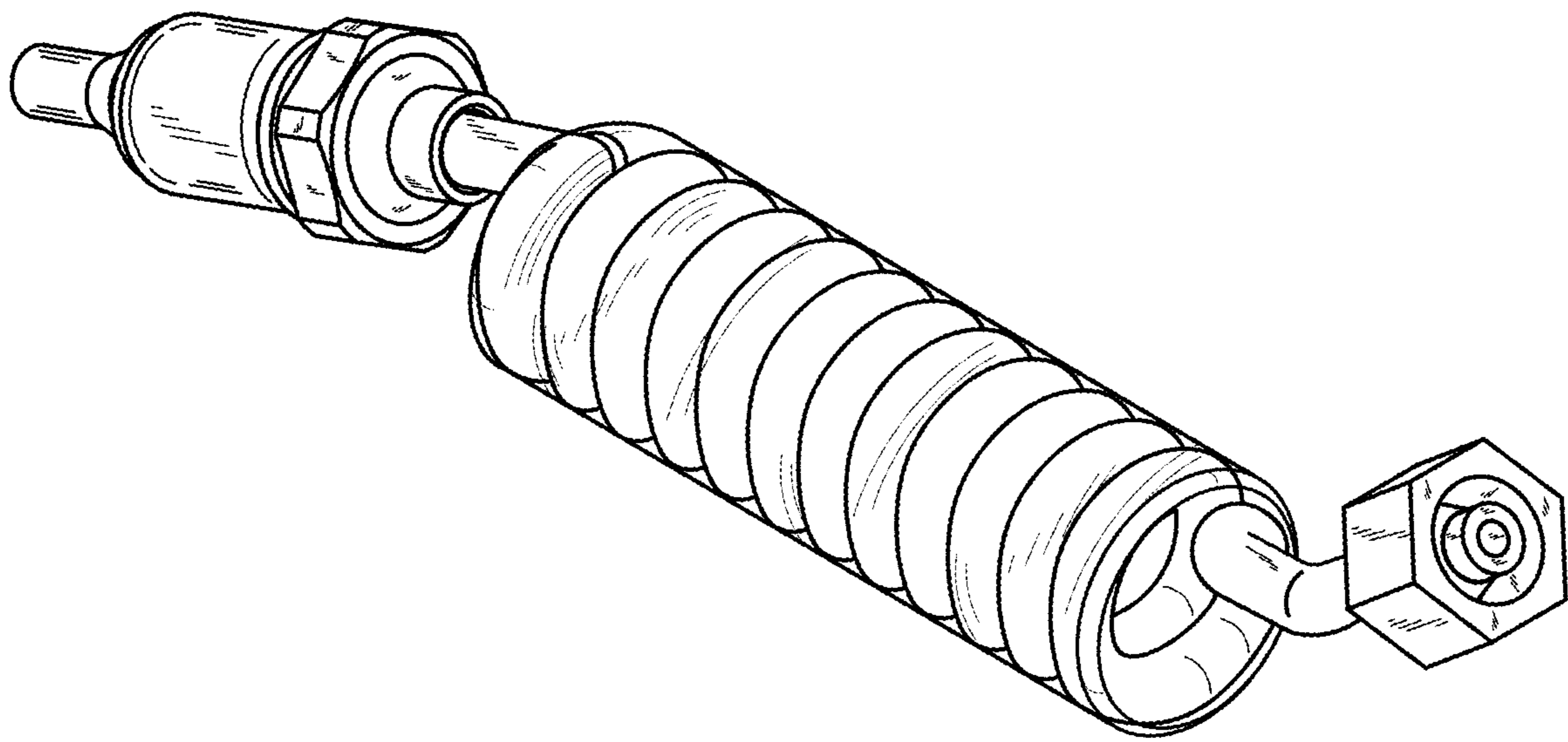


Fig. 1

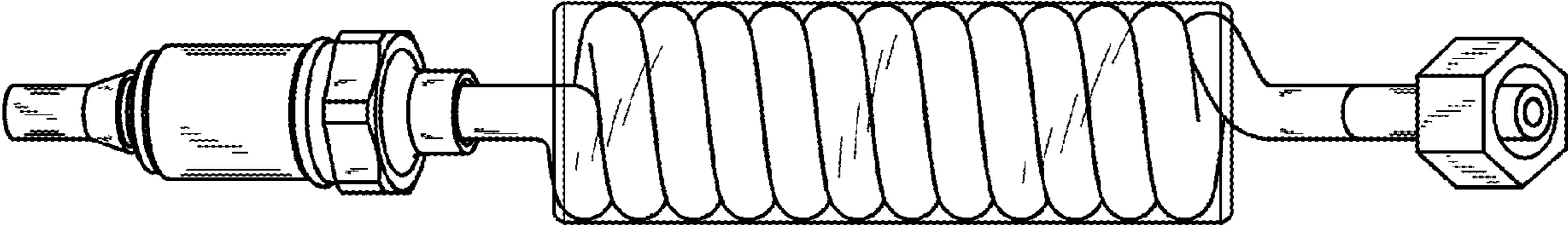


Fig. 2

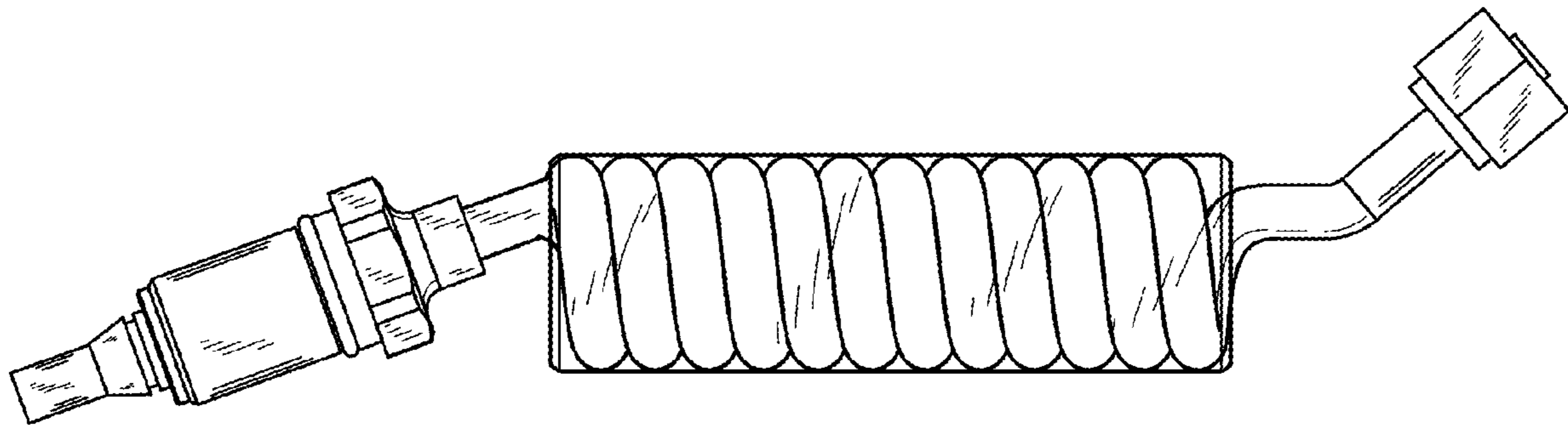


Fig. 3

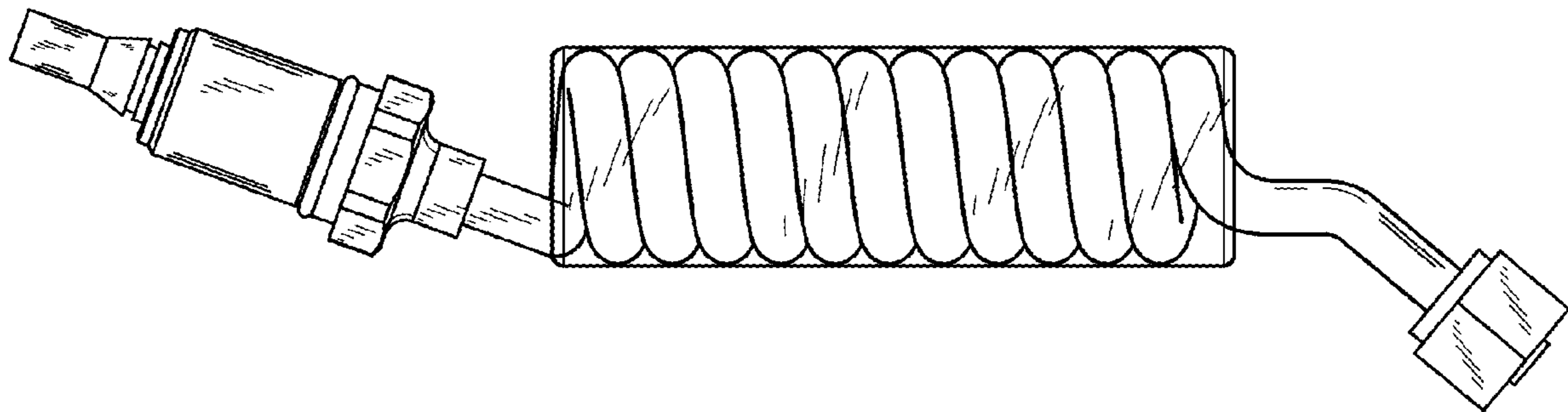


Fig. 4

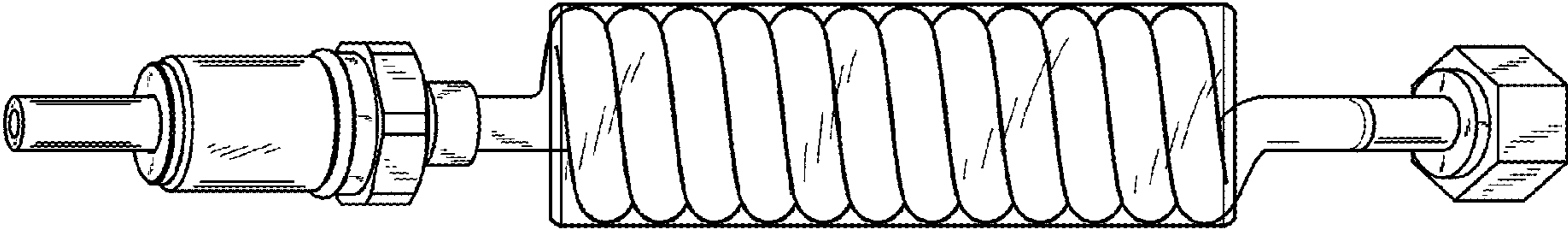


Fig. 5

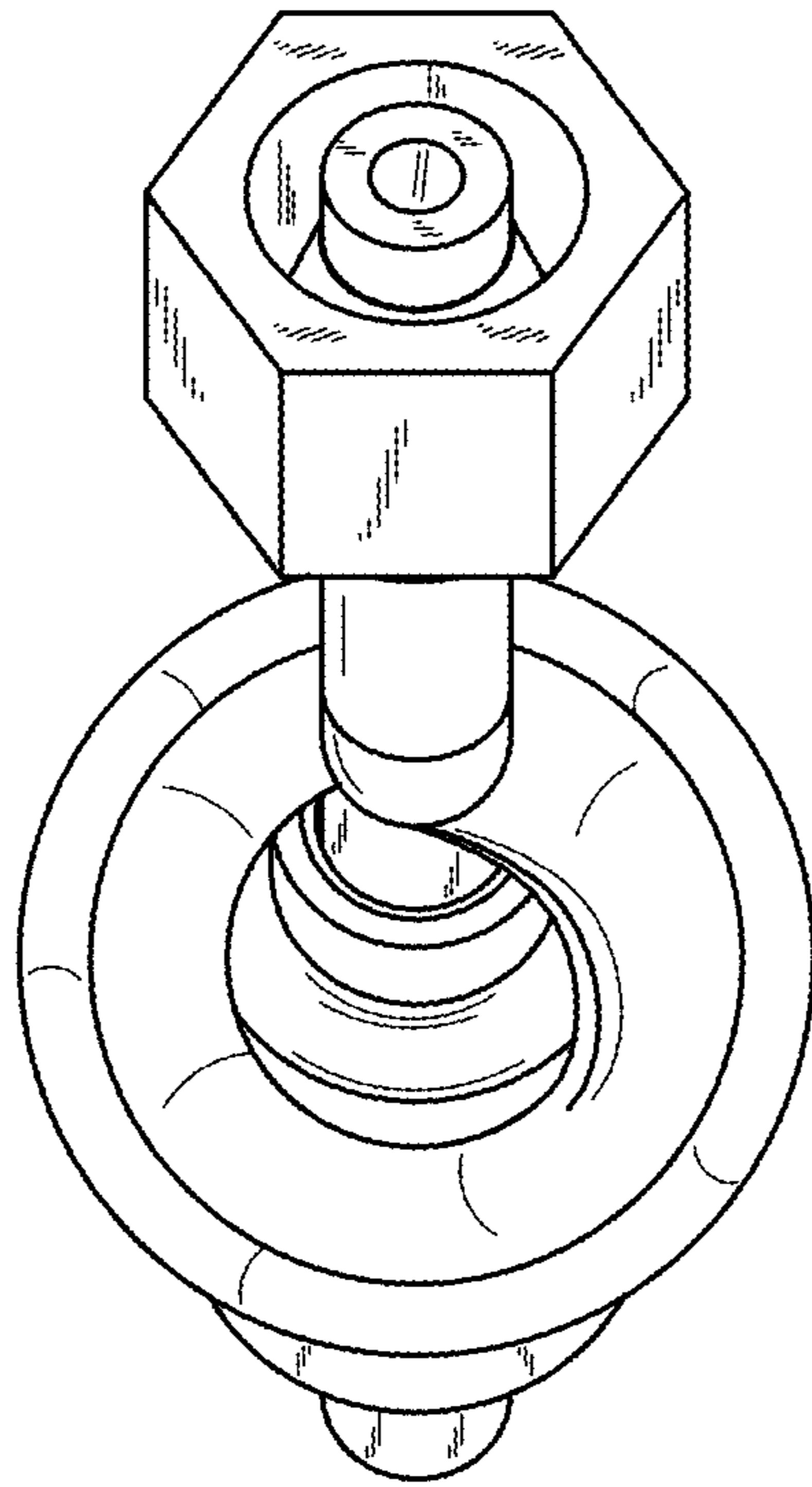


Fig. 6

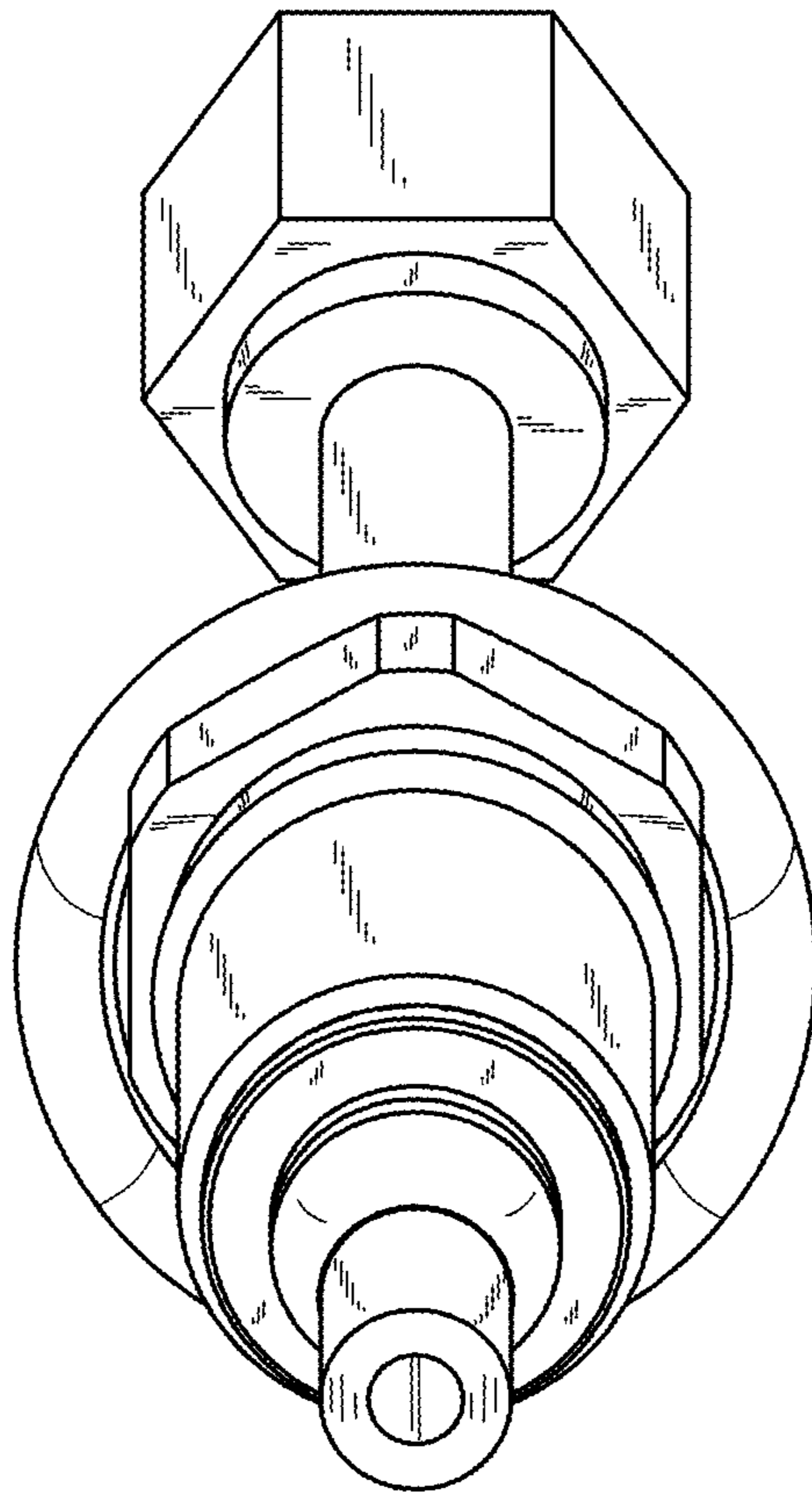


Fig. 7