



US00D920482S

(12) **United States Design Patent** (10) **Patent No.:** **US D920,482 S**
Kuran et al. (45) **Date of Patent:** **** May 25, 2021**

- (54) **MONOSPOKE WHEEL FOR WHEEL FAUCET**
- (71) Applicant: **Waterstone, LLC**, Murietta, CA (US)
- (72) Inventors: **Chris Kuran**, Fallbrook, CA (US); **Steve Kliewer**, Whittier, CA (US); **Sam McDaniels**, Fallbrook, CA (US)
- (73) Assignee: **WATERSTONE, LLC**, Murietta, CA (US)
- (**) Term: **15 Years**
- (21) Appl. No.: **29/697,089**
- (22) Filed: **Jul. 3, 2019**
- (51) **LOC (13) Cl.** **23-01**
- (52) **U.S. Cl.**
USPC **D23/253**
- (58) **Field of Classification Search**
USPC D23/238, 239, 240, 241, 242, 243, 249, 250, 255, 256, 257; D6/524
CPC E03C 1/04; E03C 1/0401; E03C 1/0402; E03C 1/0404; E03C 1/0405; E03C 1/0412; Y10T 137/9464
See application file for complete search history.

- 5,379,205 A 1/1995 Peng
- 5,492,148 A 2/1996 Goughneur et al.
- 5,624,074 A 4/1997 Parisi
- D464,711 S 10/2002 Warshawsky
- D491,574 S 6/2004 Hung
- D492,393 S 6/2004 Herring et al.
- D496,715 S 9/2004 Warshawsky

(Continued)

OTHER PUBLICATIONS

Waterstone Endeavor Wheel Pulldown Faucet [Aug. 13, 2020] found online [Aug. 13, 2020]—<https://waterstoneco.com/endeavor-wheel-pulldown-faucet-5125/>.*

Primary Examiner — John A Voytek
(74) *Attorney, Agent, or Firm* — Myers Andras LLP; Joseph C. Andras

(57) **CLAIM**

The ornamental design for the monospoke wheel for wheel faucet, as shown and described.

DESCRIPTION

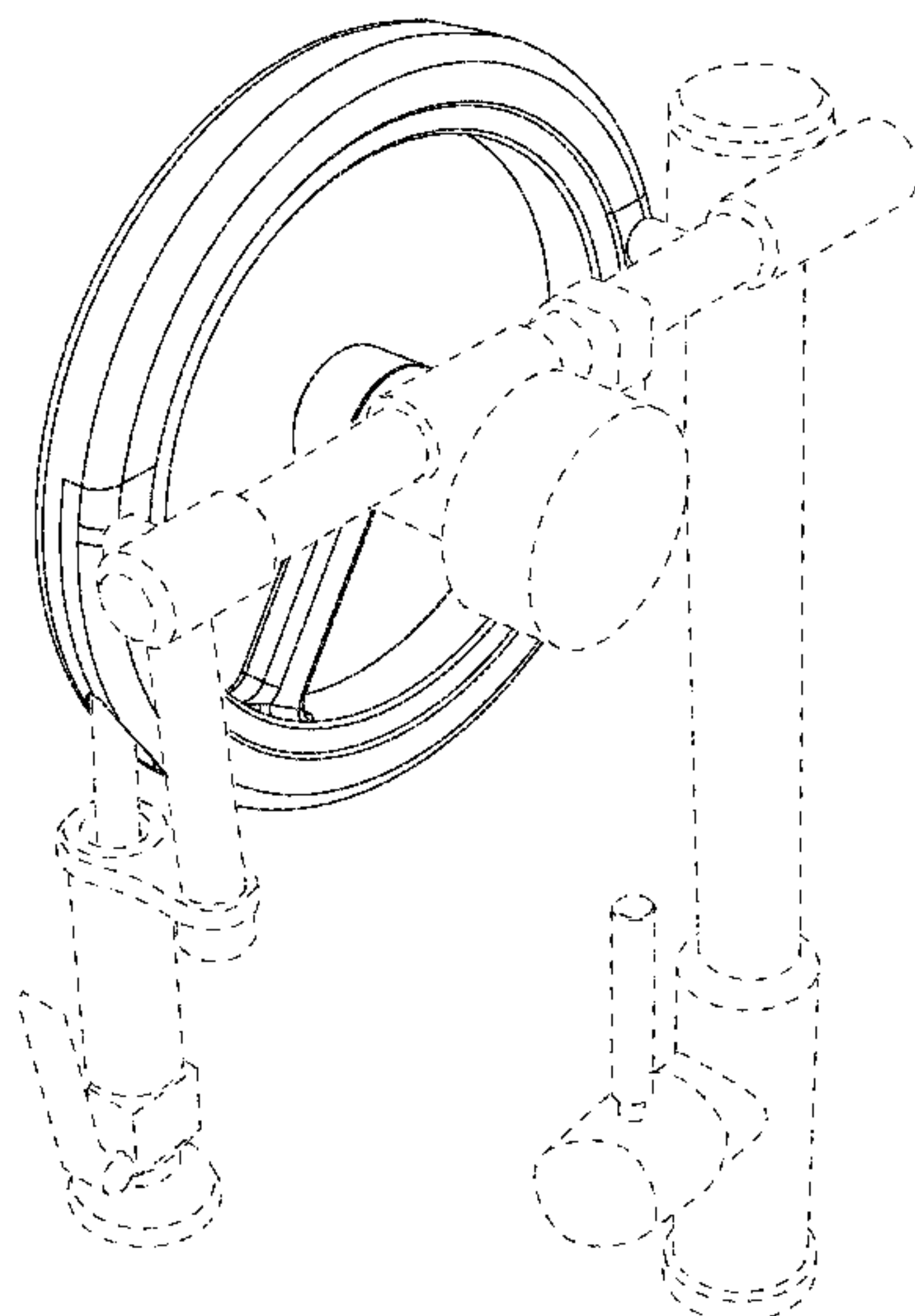
FIG. 1 is a top view of the monospoke wheel for wheel faucet according to our design;
FIG. 2 is a bottom view of the monospoke wheel for wheel faucet;
FIG. 3 is a right side elevational view of the monospoke wheel for wheel faucet;
FIG. 4 is a left side elevational view of the monospoke wheel for wheel faucet;
FIG. 5 is a back side elevational view of the monospoke wheel for wheel faucet;
FIG. 6 is a front side elevational view of the monospoke wheel for wheel faucet; and,
FIG. 7 is a front right perspective view of the monospoke wheel for wheel faucet.
The dashed lines in FIGS. 1-7 represent environmental structure and form no part of the claimed design.

1 Claim, 7 Drawing Sheets

(56) **References Cited**

U.S. PATENT DOCUMENTS

- 1,510,761 A 10/1924 Burman
- 1,838,290 A 12/1931 Steckel
- D115,235 S * 6/1939 Olson D23/253
- 2,727,534 A 12/1955 Briede
- 2,971,520 A 2/1961 Motis et al.
- D243,488 S 3/1977 Linse
- D251,794 S 5/1979 Smith
- 4,207,920 A 6/1980 Westerhoff
- 4,232,710 A 11/1980 Gallo et al.
- 4,709,715 A 12/1987 Knight
- D312,118 S 11/1990 Son
- 4,987,925 A 1/1991 Vroonland
- D331,921 S 12/1992 Gutke et al.



(56)

References Cited

U.S. PATENT DOCUMENTS

6,820,291	B1	11/2004	Weaver	
D508,551	S	8/2005	Warshawsky	
D522,009	S	5/2006	Chen	
D529,033	S	9/2006	Hung	
D534,620	S	1/2007	Zhou	
D535,356	S	1/2007	Kuran et al.	
D541,808	S	5/2007	Oddsden, Jr. et al.	
D544,489	S	6/2007	Oddsden, Jr. et al.	
D565,705	S	4/2008	Kuran et al.	
D683,430	S	5/2013	Spangler	
D714,915	S *	10/2014	von der Lancken D23/253
D718,420	S	11/2014	Rexach	
D757,892	S *	5/2016	Walker D23/213
D758,546	S	6/2016	Rexach	
D765,227	S	8/2016	Sallick	
D779,635	S *	2/2017	Kuran D23/238
D779,638	S *	2/2017	Kuran D23/253
D785,511	S *	5/2017	Barenbrug B60B 7/0026
				D12/133
D823,993	S *	7/2018	Soulier D23/253
D862,662	S *	10/2019	Kulig D23/253
D867,531	S *	11/2019	Bayyouk D23/233
D888,897	S *	6/2020	Soulier D23/253

* cited by examiner

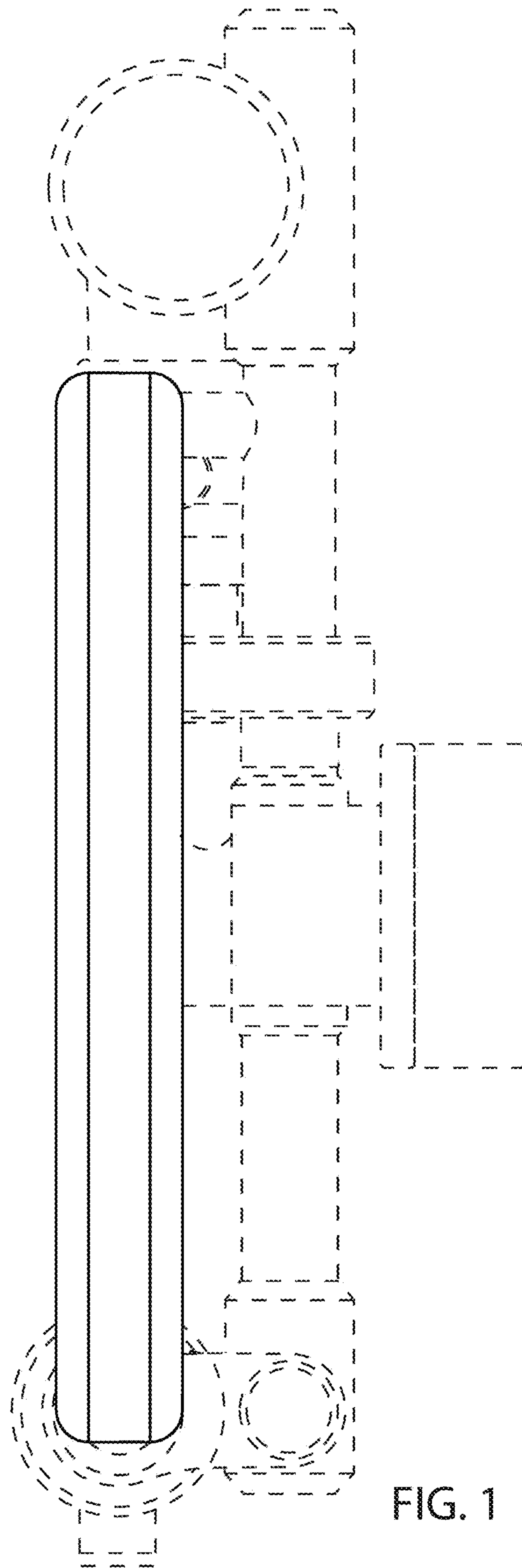


FIG. 1

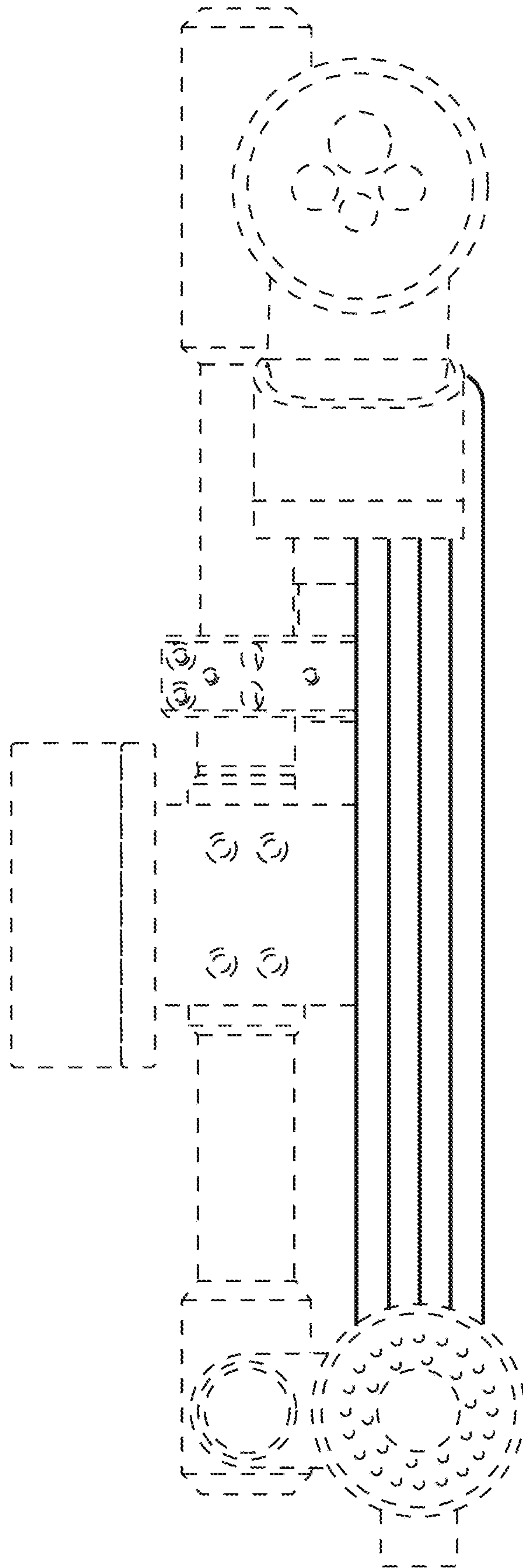
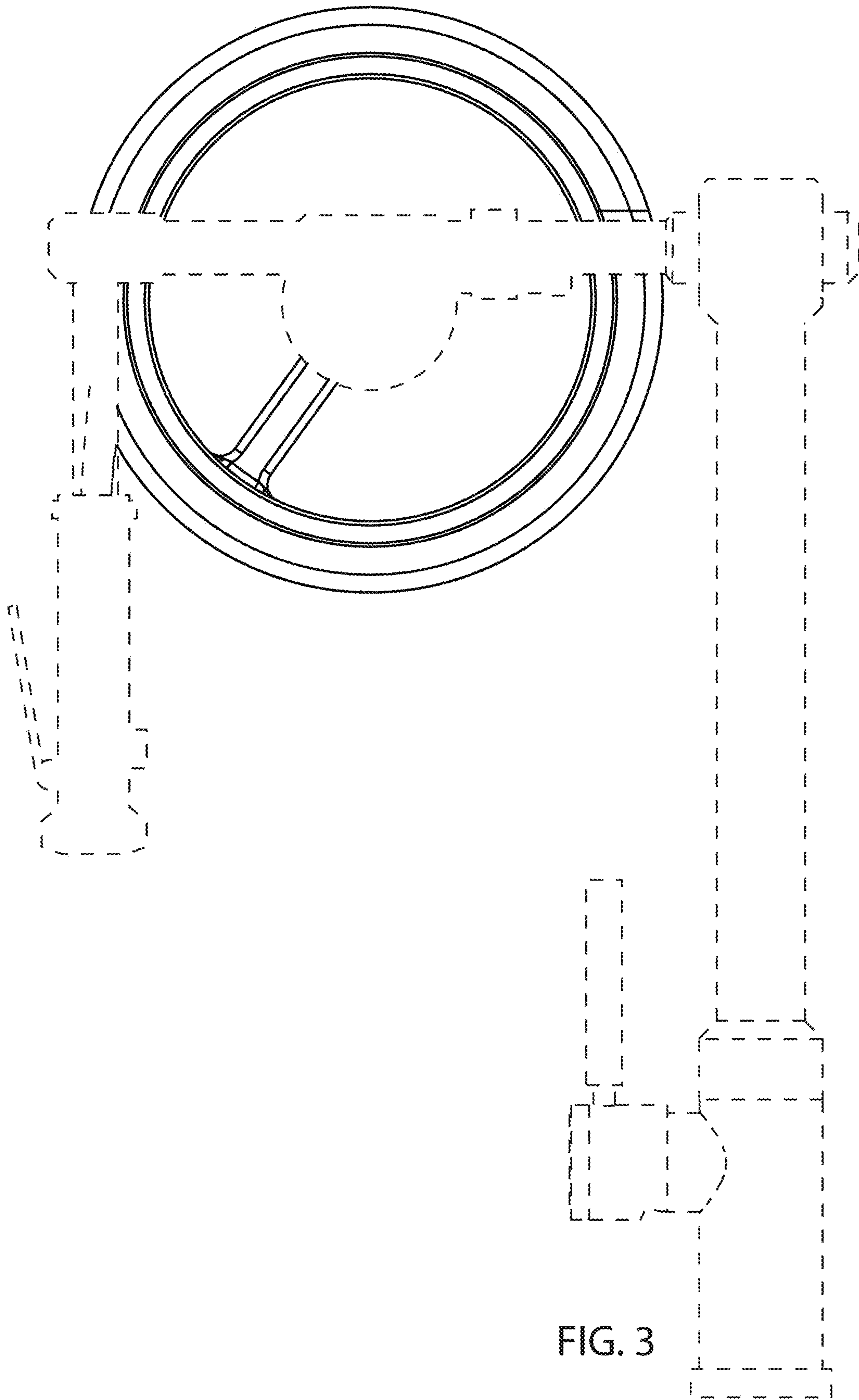


FIG. 2



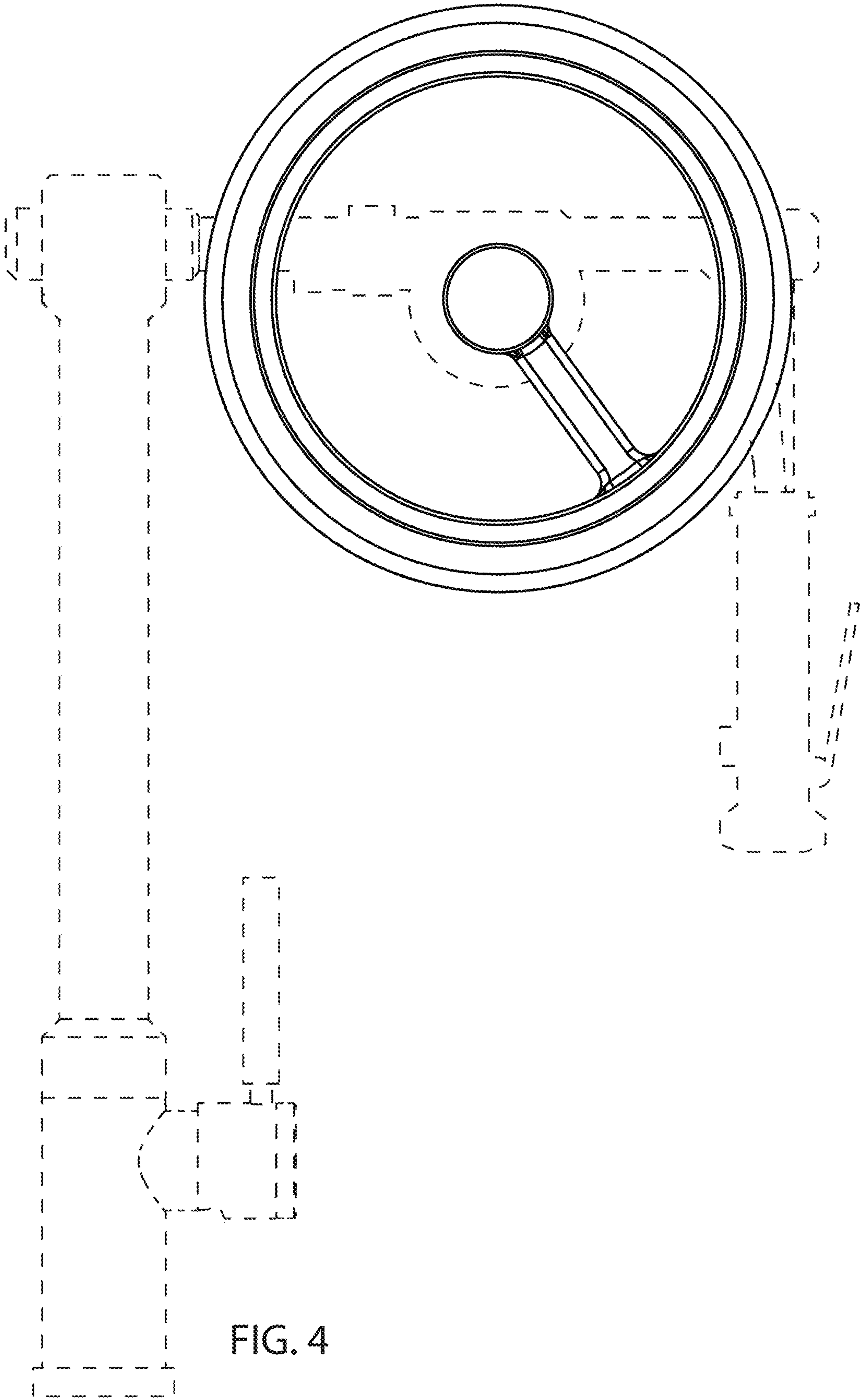


FIG. 4

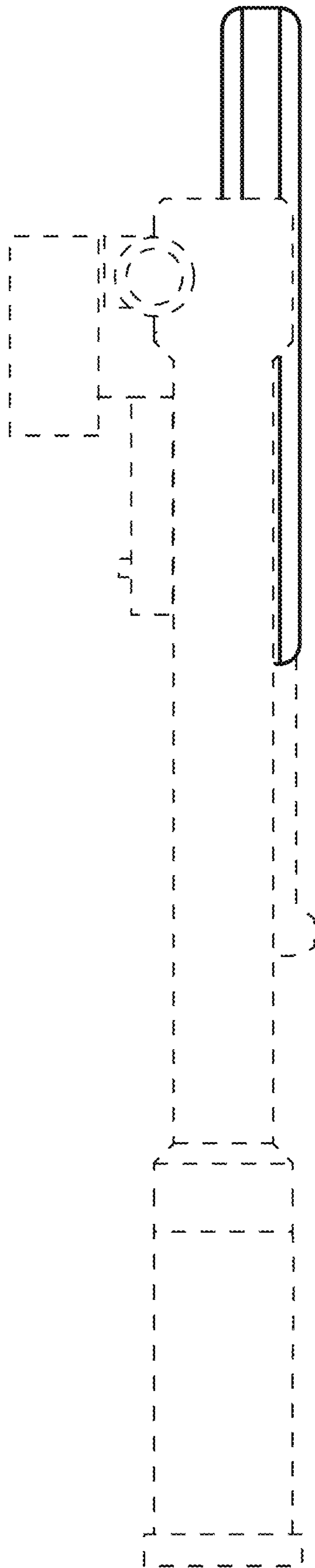


FIG. 5

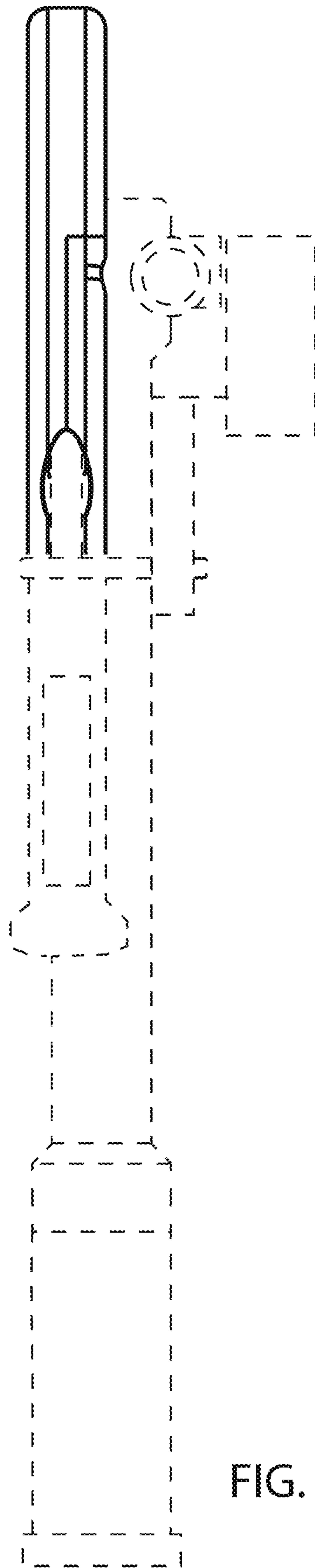


FIG. 6

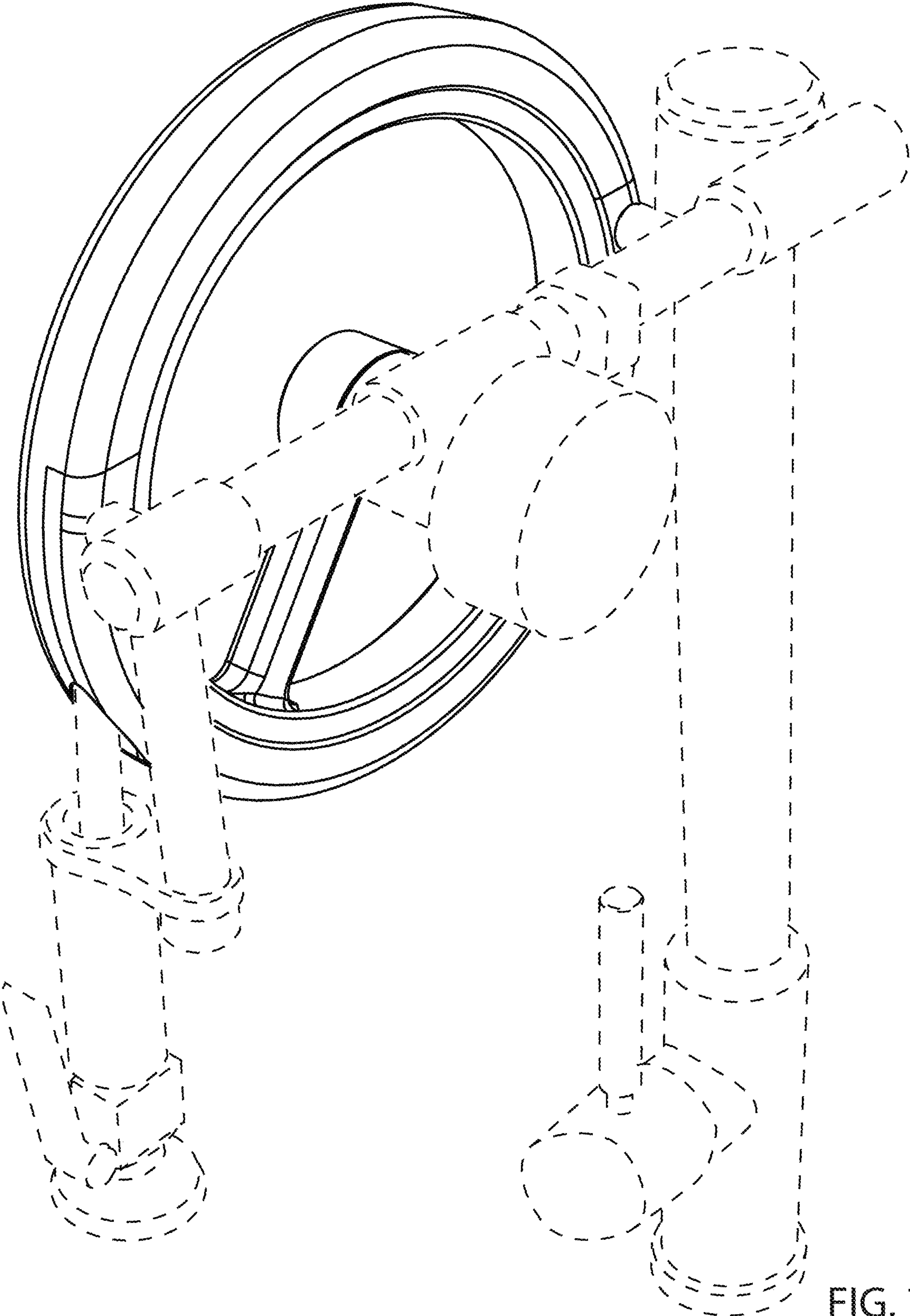


FIG. 7