



US00D920481S

(12) **United States Design Patent**
Zhu

(10) **Patent No.:** **US D920,481 S**

(45) **Date of Patent:** **** *May 25, 2021**

(54) **FAUCET**

(71) Applicant: **Hansgrohe SE**, Schiltach (DE)

(72) Inventor: **Chuanbao Zhu**, Fujian (CN)

(73) Assignee: **Hansgrohe SE**, Schiltach (DE)

(*) Notice: This patent is subject to a terminal disclaimer.

(**) Term: **15 Years**

(21) Appl. No.: **29/700,680**

(22) Filed: **Aug. 5, 2019**

(30) **Foreign Application Priority Data**

Feb. 20, 2019 (EM) 006262440-0010

(51) **LOC (13) Cl.** **23-01**

(52) **U.S. Cl.**

USPC **D23/242**

(58) **Field of Classification Search**

USPC D23/238, 239, 240, 241, 242, 243, 249,
D23/255, 256, 257; D6/524

CPC E03C 1/04; E03C 1/0401; E03C 1/0402;
E03C 1/0404; E03C 1/0405; E03C
1/0412; Y10T 137/9464

See application file for complete search history.

(56) **References Cited**

U.S. PATENT DOCUMENTS

D694,369 S * 11/2013 Mendoza D23/242
D717,916 S * 11/2014 Fritz D23/242

D791,920 S * 7/2017 Fritz D23/242
D803,358 S 11/2017 Schoenherr et al.
D810,878 S * 2/2018 Garland D23/242
D823,437 S * 7/2018 Downey D23/242
D857,850 S * 8/2019 Bahler D23/242
D865,128 S * 10/2019 Zeng D23/242

FOREIGN PATENT DOCUMENTS

CN 302093197 9/2012
EM 002464156-0001 6/2016

* cited by examiner

Primary Examiner — John A Voytek

(74) *Attorney, Agent, or Firm* — Lora J. Graentzdoerffer

(57) **CLAIM**

The ornamental design for a faucet, as shown and described.

DESCRIPTION

FIG. 1 is a perspective view of a faucet showing my design;
FIG. 2 is a front elevation view;
FIG. 3 is a rear elevation view;
FIG. 4 is a side elevation view;
FIG. 5 is a top plan view; and,
FIG. 6 is a bottom plan view.

The broken-line disclosures in the drawings represent portions of the faucet that form no part of the claimed design.

1 Claim, 6 Drawing Sheets

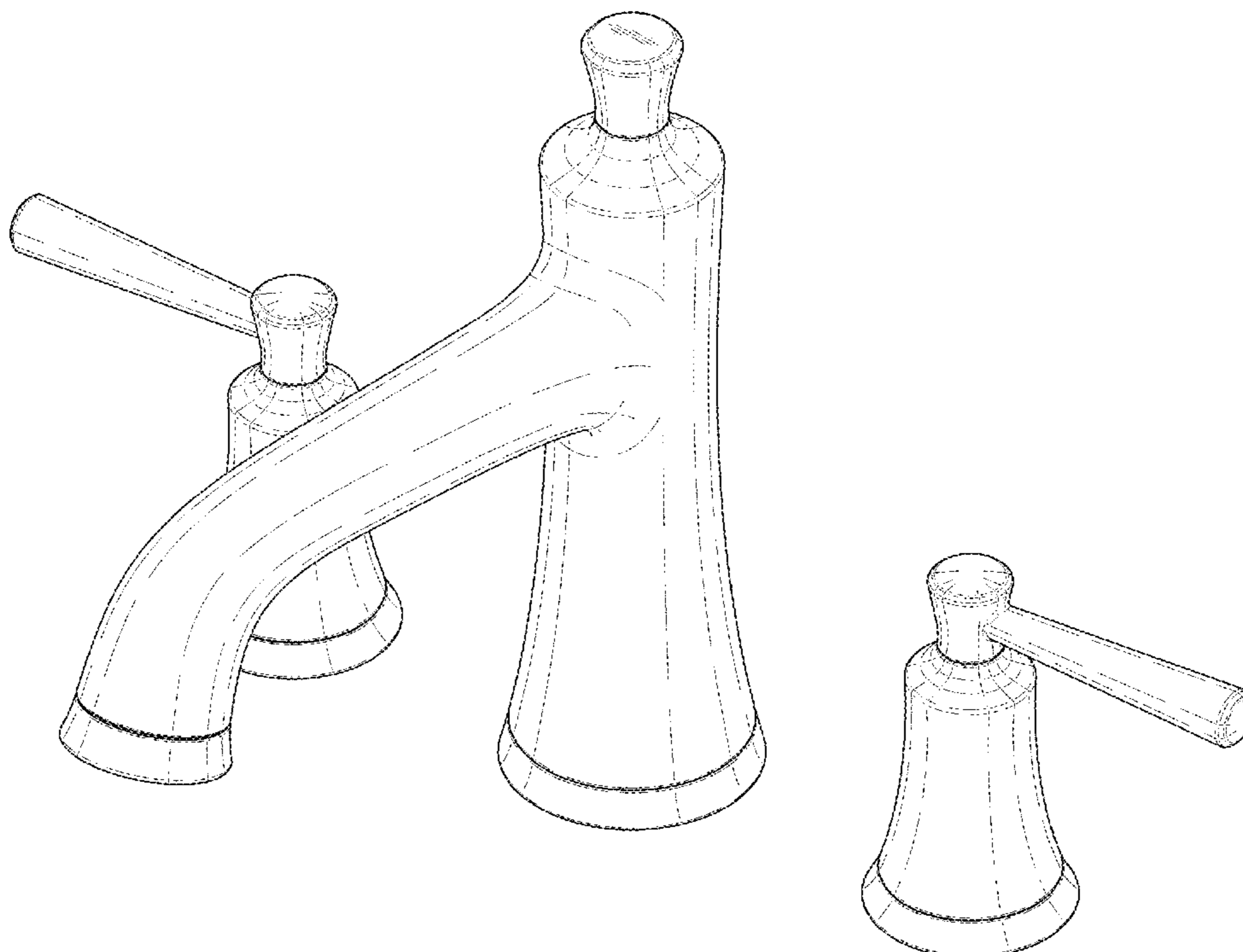


FIG. 1

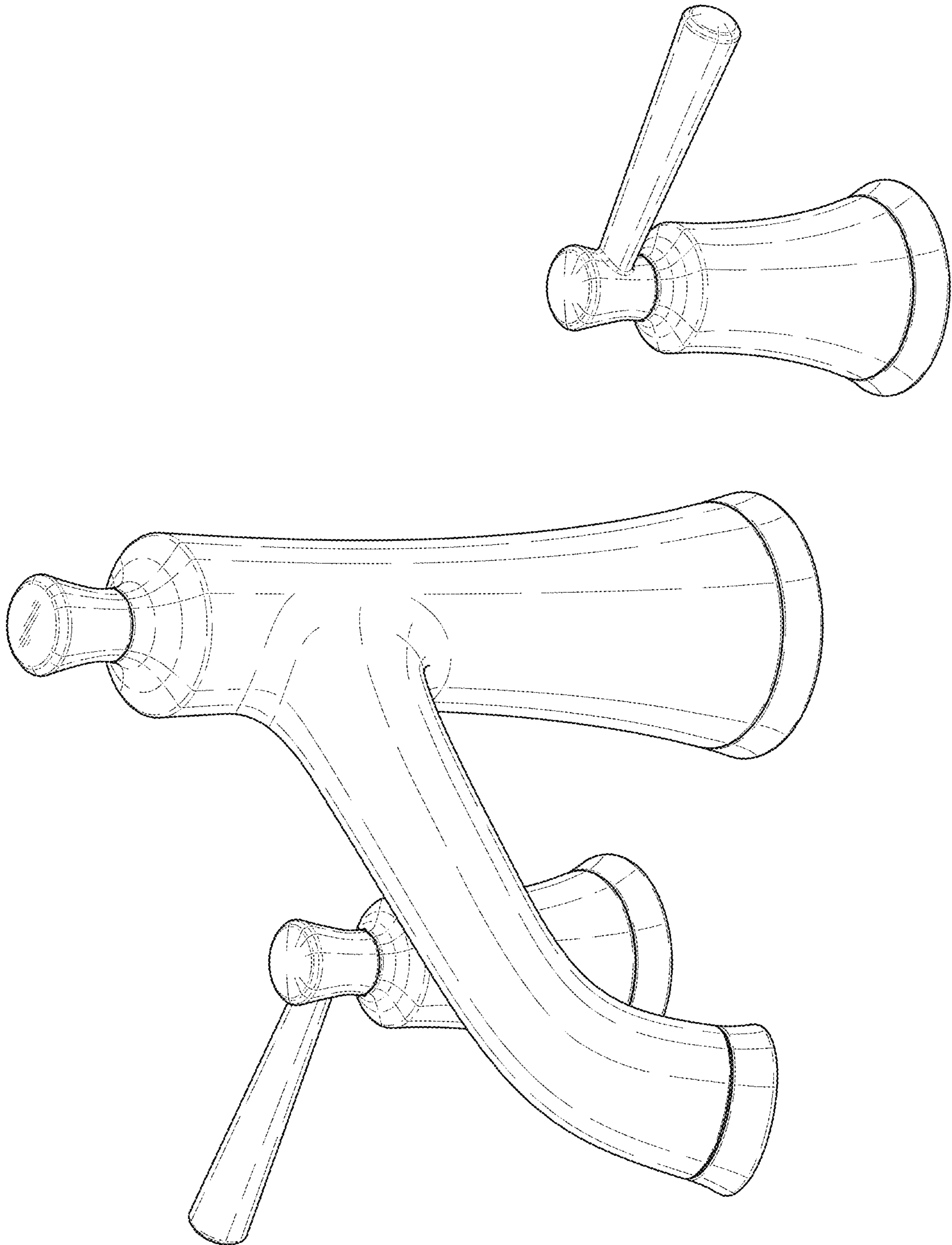


FIG. 2

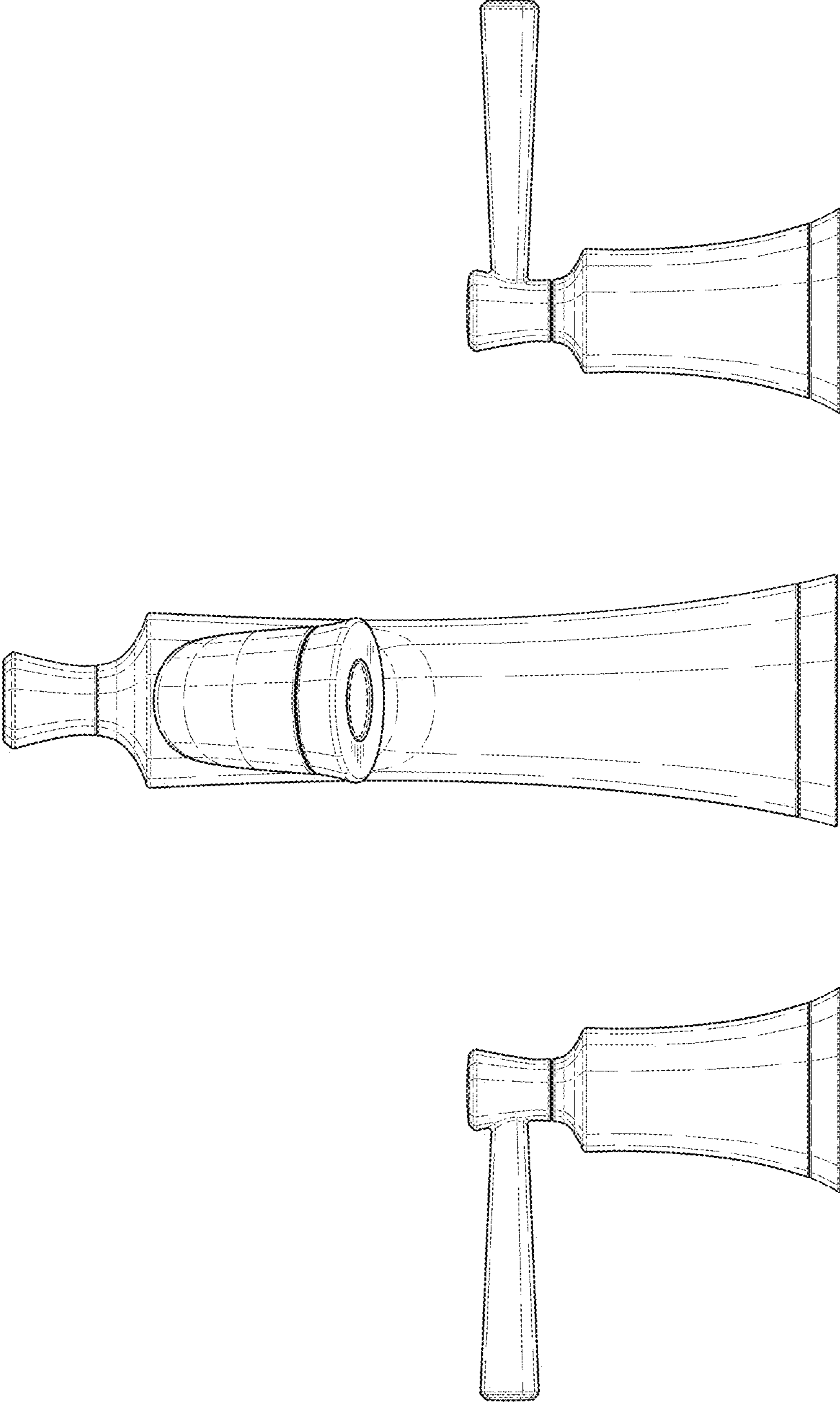


FIG. 3

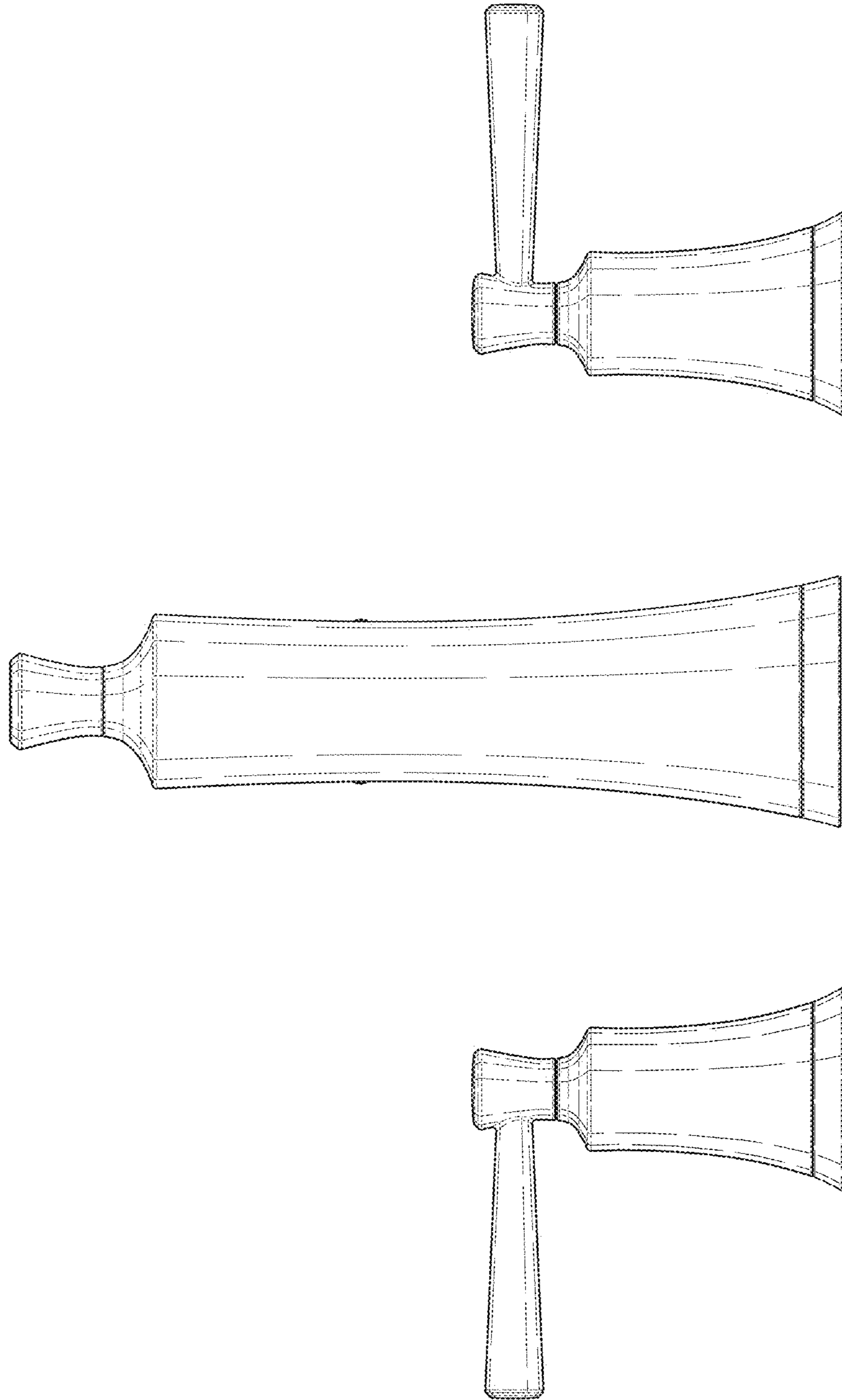


FIG. 4

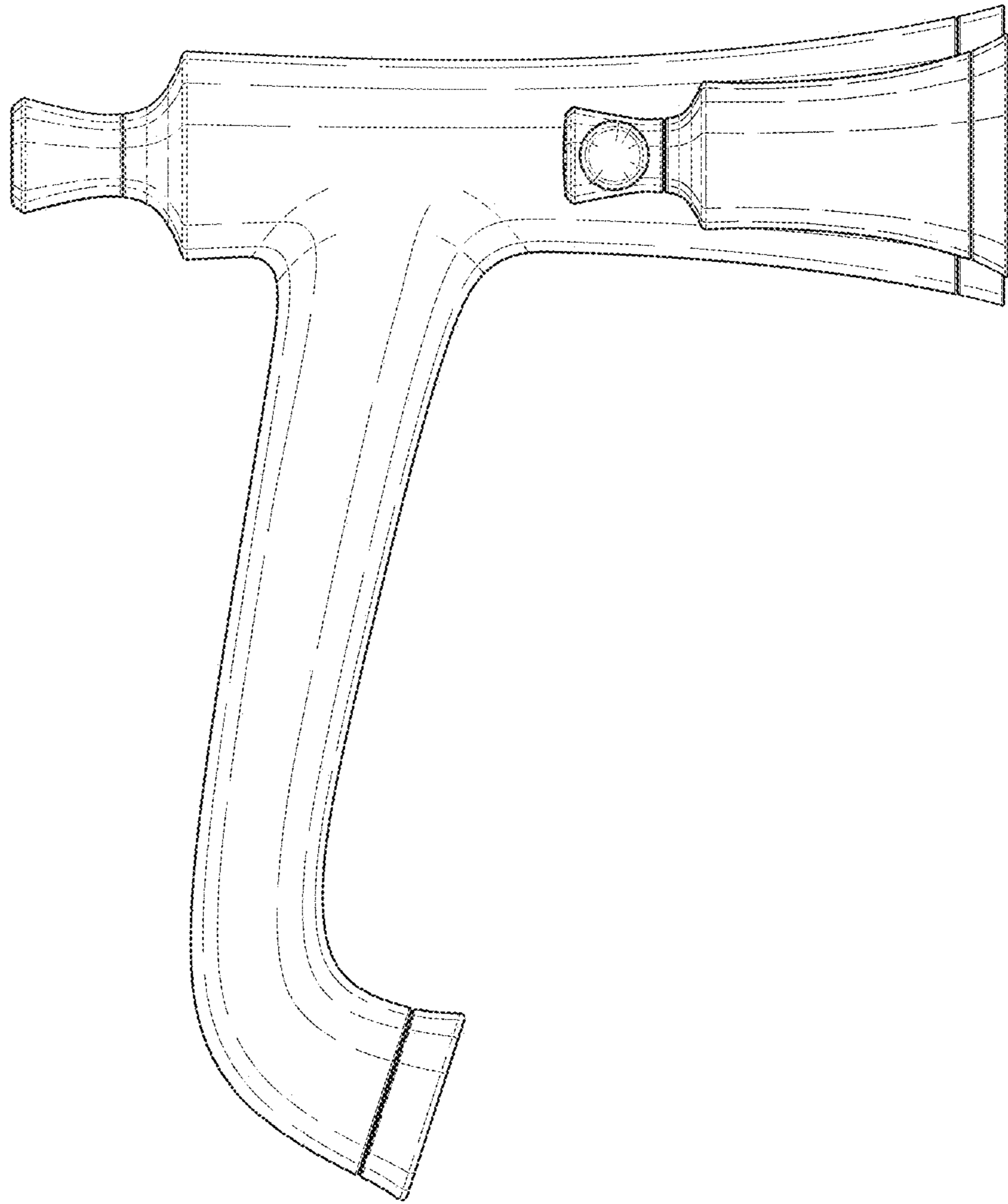


FIG. 5

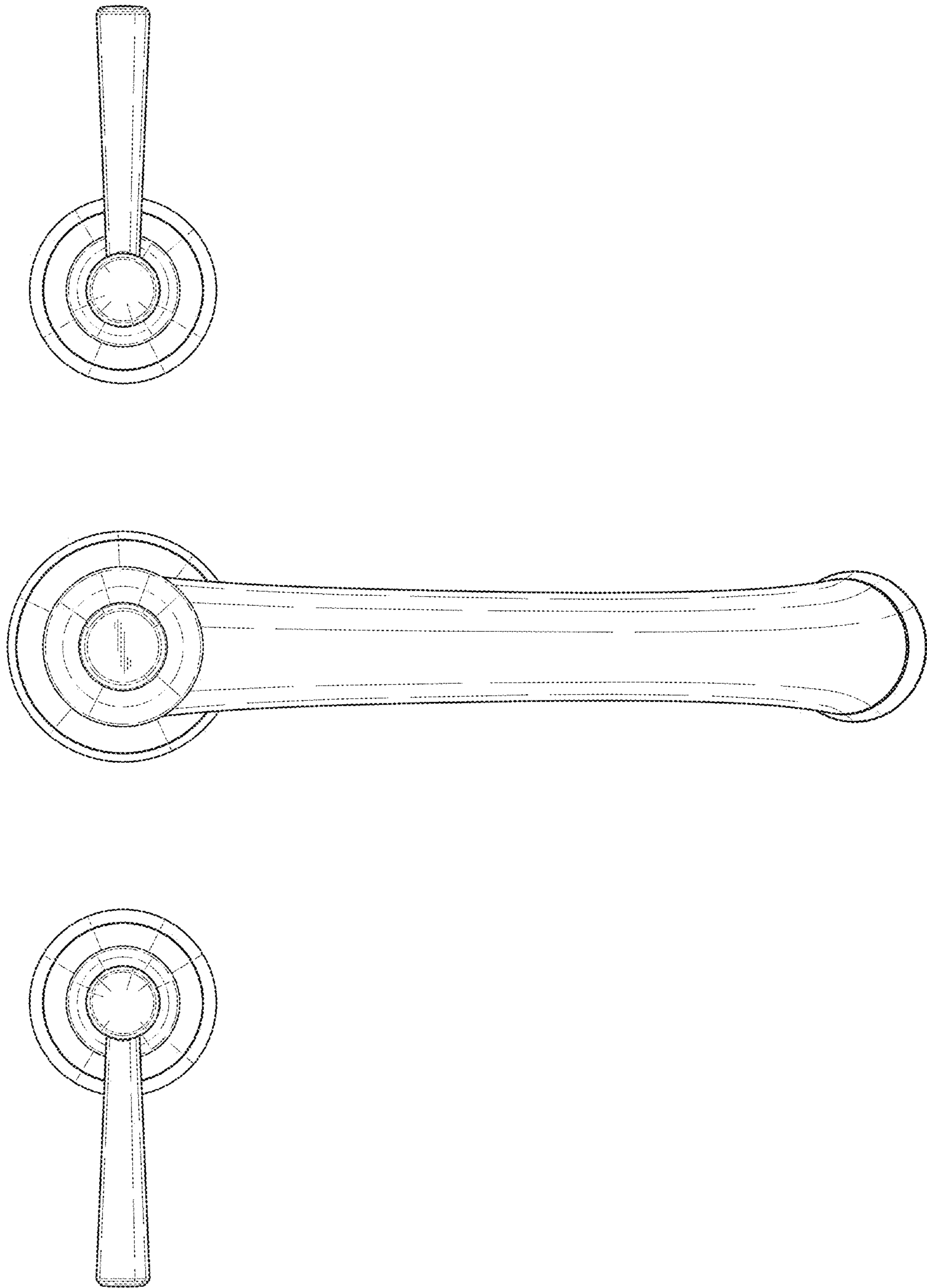


FIG. 6

