



US00D920480S

(12) **United States Design Patent**  
**Zhang**

(10) **Patent No.:** **US D920,480 S**  
(45) **Date of Patent:** **\*\* May 25, 2021**

(54) **FAUCET**

(71) Applicant: **Qiwen Zhang**, Kaiping (CN)

(72) Inventor: **Qiwen Zhang**, Kaiping (CN)

(\*\*) Term: **15 Years**

(21) Appl. No.: **29/714,774**

(22) Filed: **Nov. 26, 2019**

(51) **LOC (13) Cl.** ..... **23-01**

(52) **U.S. Cl.**  
USPC ..... **D23/238**

(58) **Field of Classification Search**  
USPC ..... D23/238-244, 252, 254-255, 257;  
D8/307-308  
CPC .... F16K 31/602; F16K 31/605; F16K 31/607;  
E03C 1/0412  
See application file for complete search history.

(56) **References Cited**

**U.S. PATENT DOCUMENTS**

D573,696 S *	7/2008	Eilmus	.....	D23/255
D723,661 S *	3/2015	Zhang	.....	D23/238
D787,019 S *	5/2017	Ziemann	.....	D23/238
D825,720 S *	8/2018	Zeng	.....	D23/238
D830,517 S *	10/2018	Zhang	.....	D23/238
D845,439 S *	4/2019	Zhang	.....	D23/238
D847,950 S *	5/2019	Zhang	.....	D23/238
D852,325 S *	6/2019	Eads	.....	D23/238
D877,296 S *	3/2020	Tentler	.....	D23/238
D900,280 S *	10/2020	Judge	.....	D23/238

**FOREIGN PATENT DOCUMENTS**

CN	304647364	*	1/2018
CN	304909330	*	10/2018

**OTHER PUBLICATIONS**

Single Handle Pull-Down, announced Dote unavailable[online]. [site visited Jan. 22, 2021]. Available from internet, URL:<https://www.deltafaucet.com/kitchen/product/9678-SP-DST> (Year: 2021).\*  
Appaso, announced Jun. 8, 2018[online], [site visited Jan. 22, 2021]. Available from internet, URL:<https://www.amazon.com/APPASO-Stainless-Functions-Sprayhead-K123-BN/dp/B0748CG1LV> (Year: 2018).\*  
Appaso Kitchen, announced Jul. 1, 2020[online], [site visited Jan. 22, 2021]. Available from internet, URL:<https://www.amazon.com/APPASO-Kitchen-Magnetic-Docking-Sprayer/dp/B086VDGM1K> (Year: 2020).\*

\* cited by examiner

*Primary Examiner* — Barbara Fox  
*Assistant Examiner* — Jamaal Rasheed  
(74) *Attorney, Agent, or Firm* — Runit Ranjit Kanakia

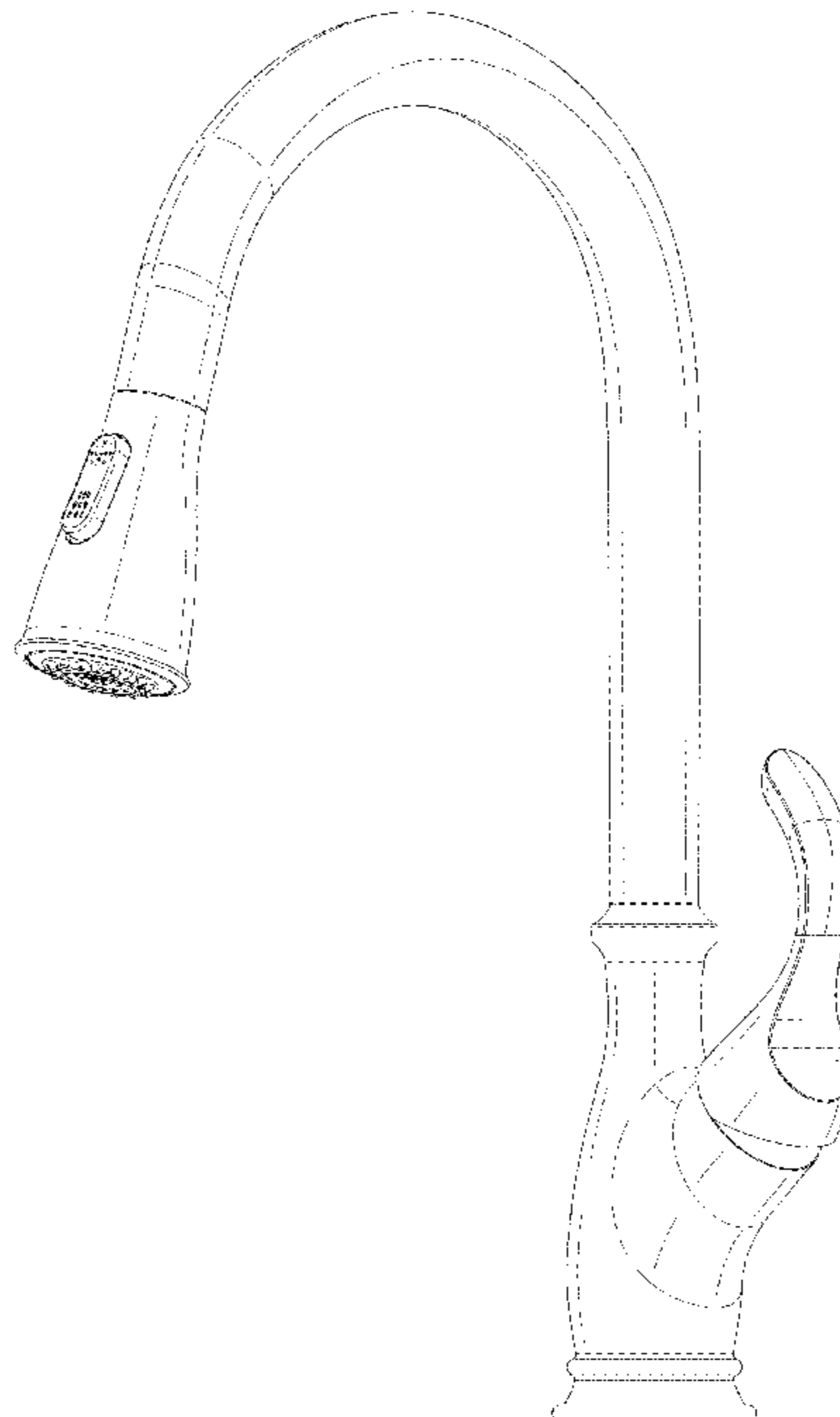
(57) **CLAIM**

I claim the ornamental design for a faucet, as shown and described.

**DESCRIPTION**

FIG. 1 is a Perspective view of a faucet showing my new design;  
FIG. 2 is another perspective view thereof;  
FIG. 3 is a Front view thereof;  
FIG. 4 is a Back view thereof;  
FIG. 5 is a Right-side view thereof;  
FIG. 6 is a Left-side view thereof;  
FIG. 7 is a Top view thereof; and,  
FIG. 8 is a Bottom view thereof.  
The broken lines depict portions of the faucet that form no part of the claimed design.

**1 Claim, 8 Drawing Sheets**



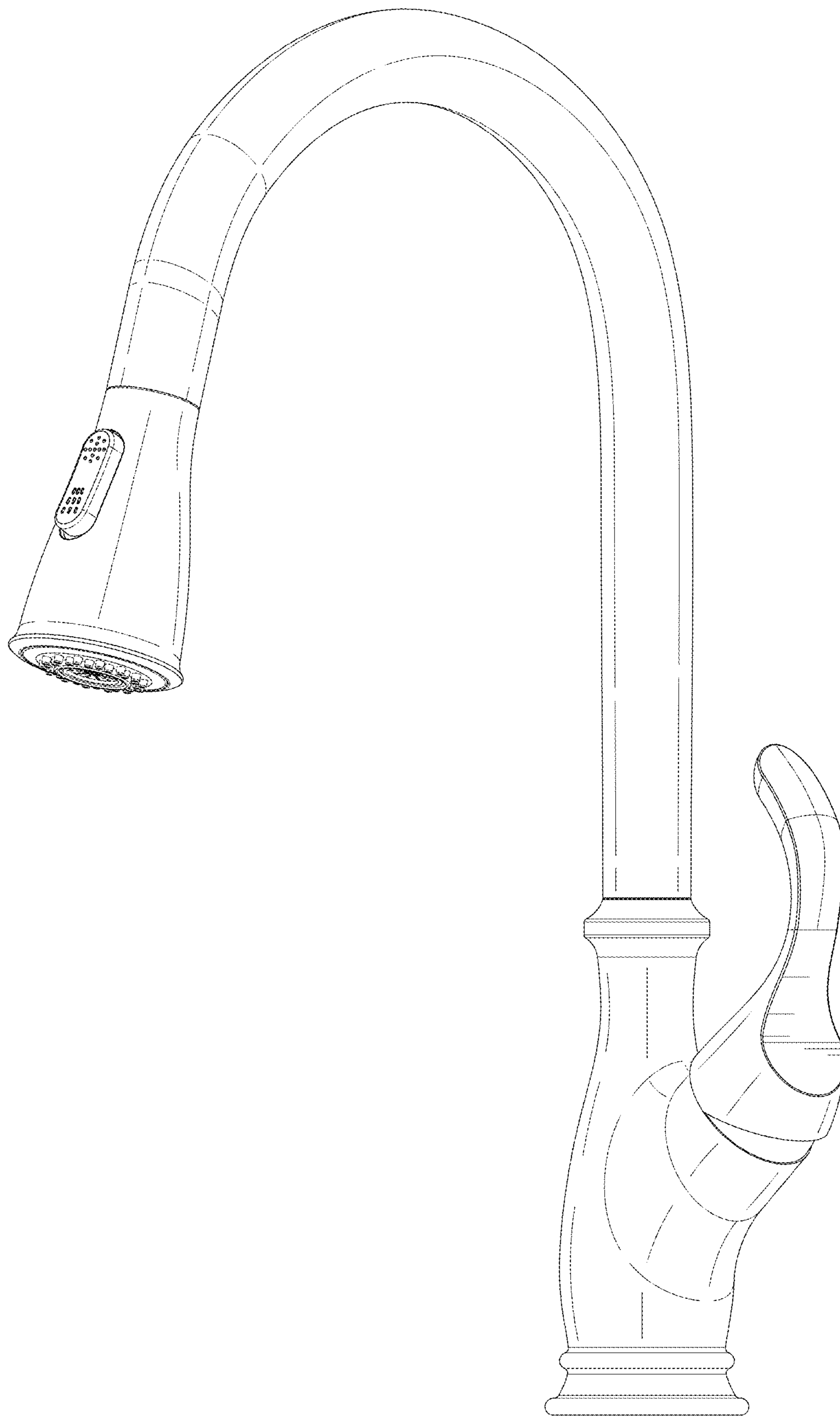


FIG. 1

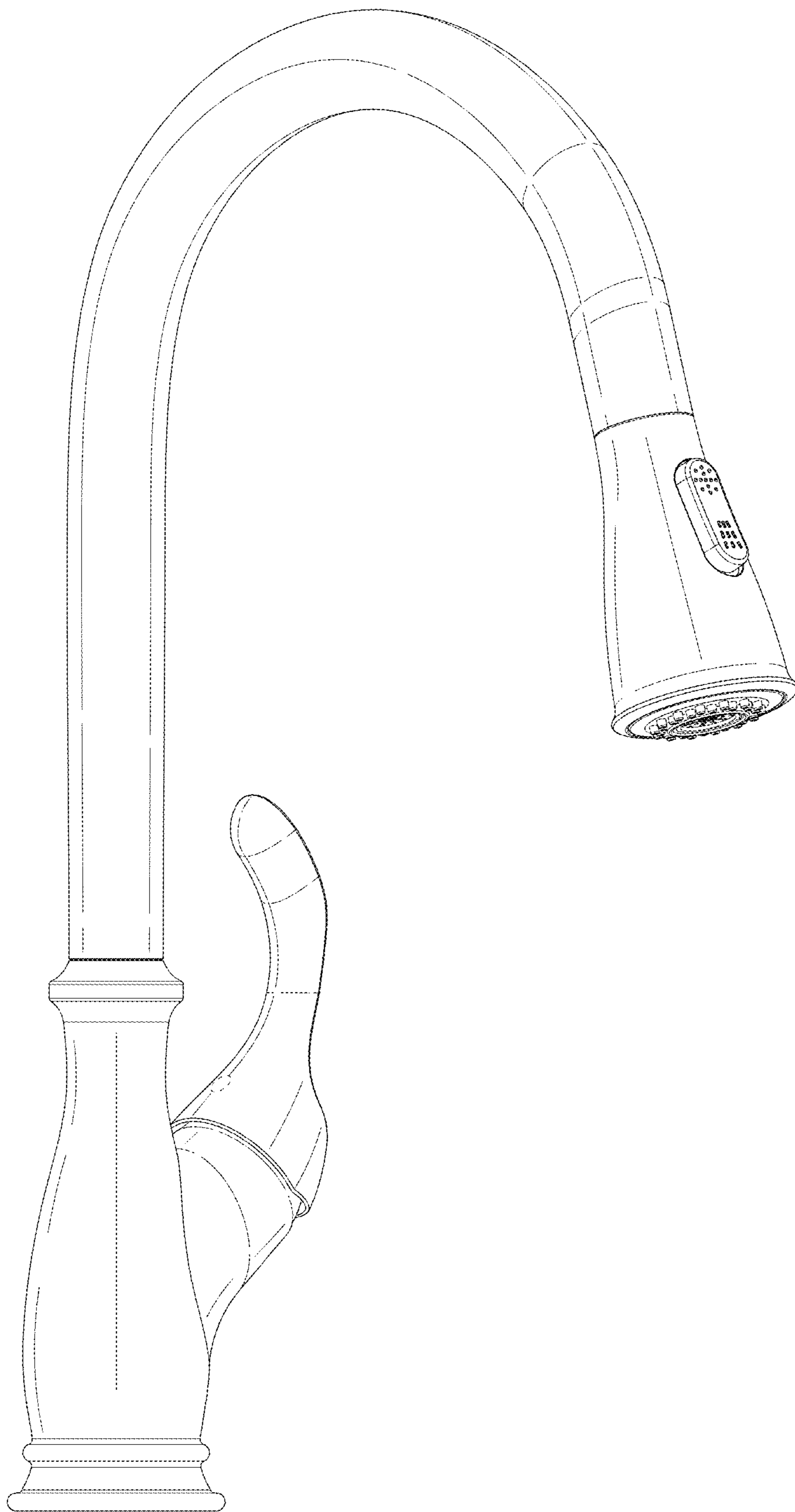


FIG. 2

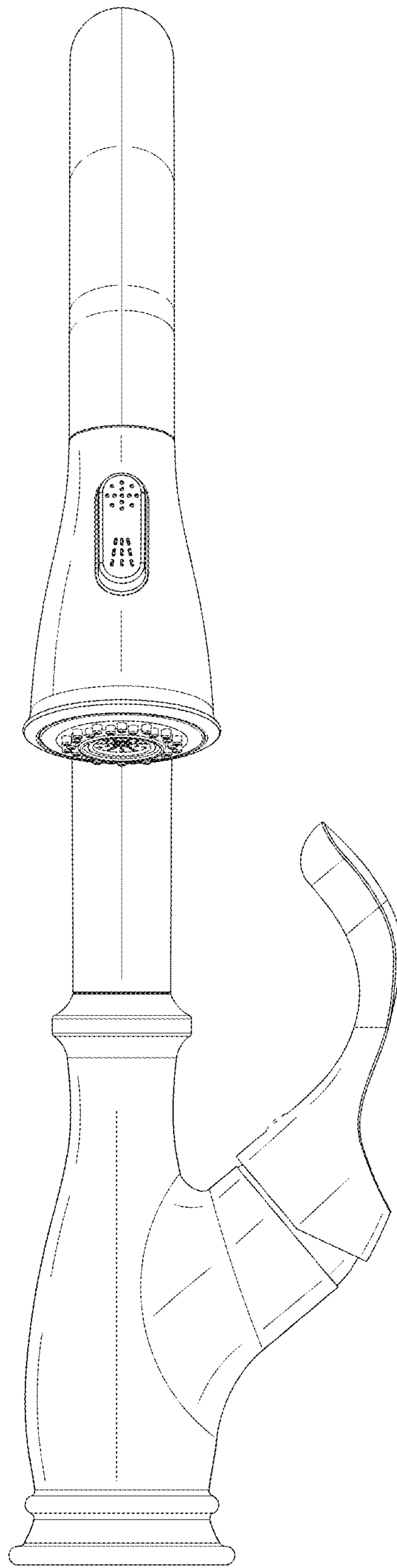


FIG. 3

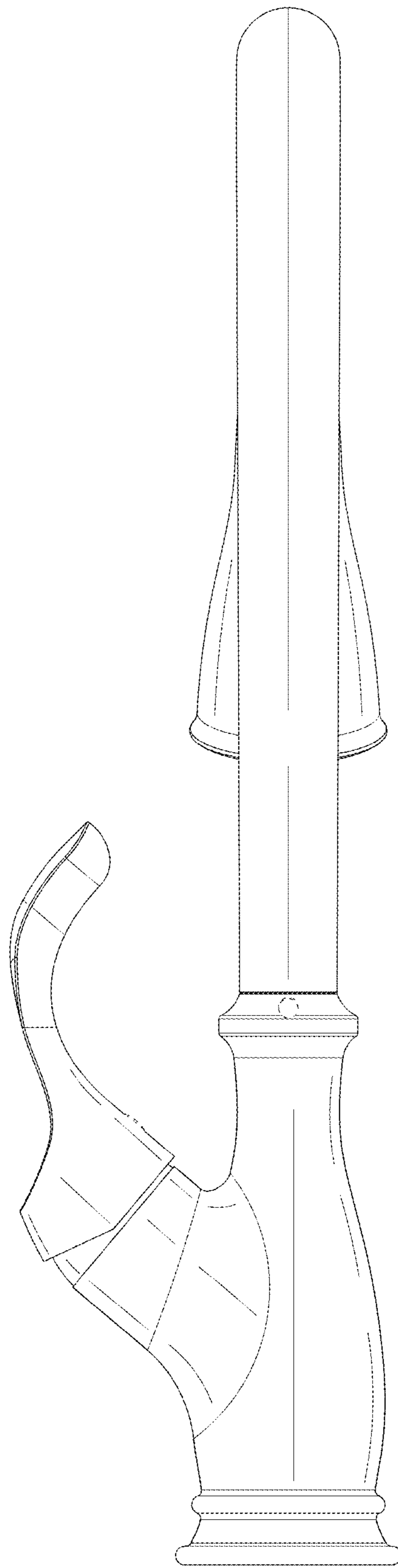


FIG. 4

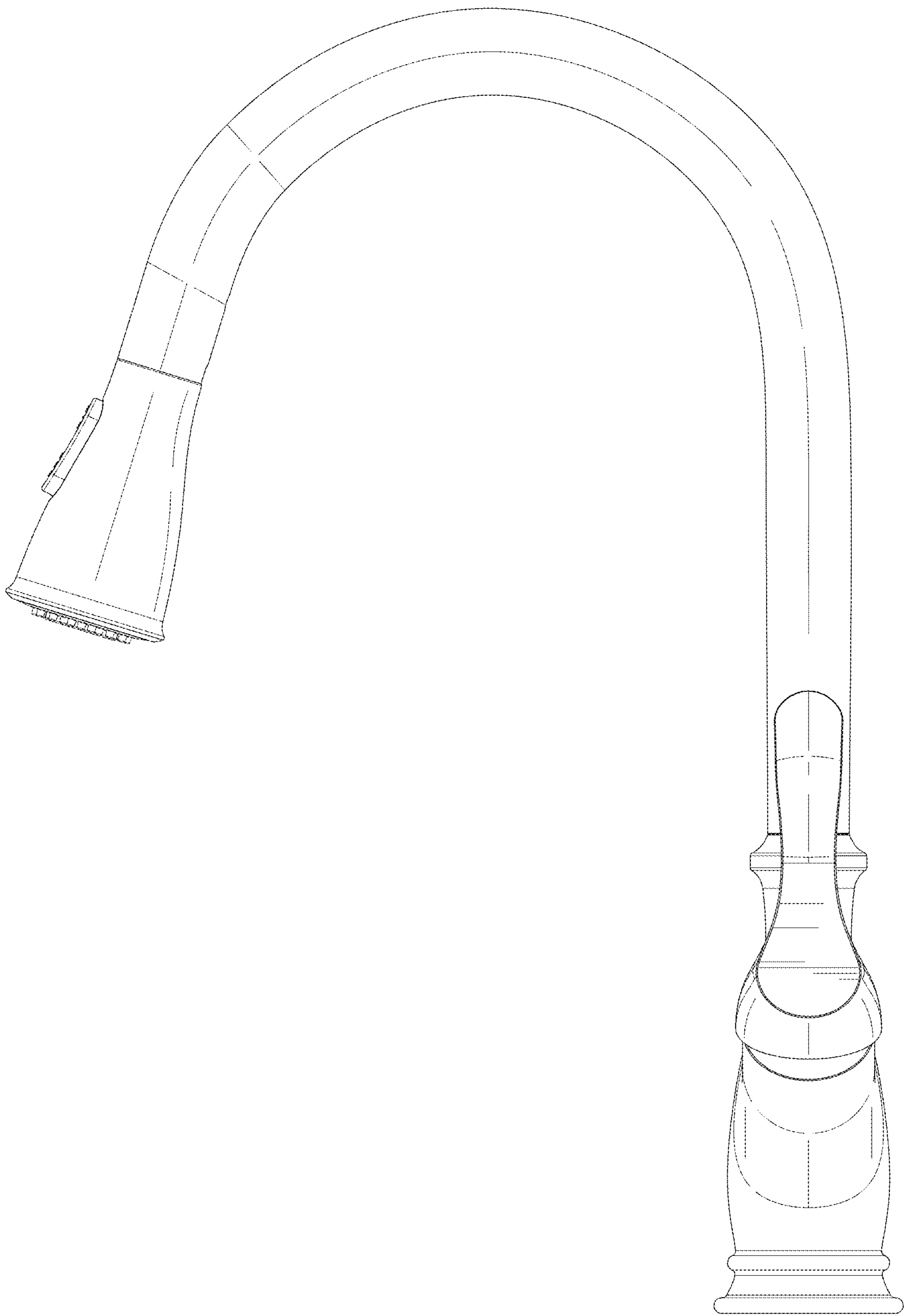


FIG. 5

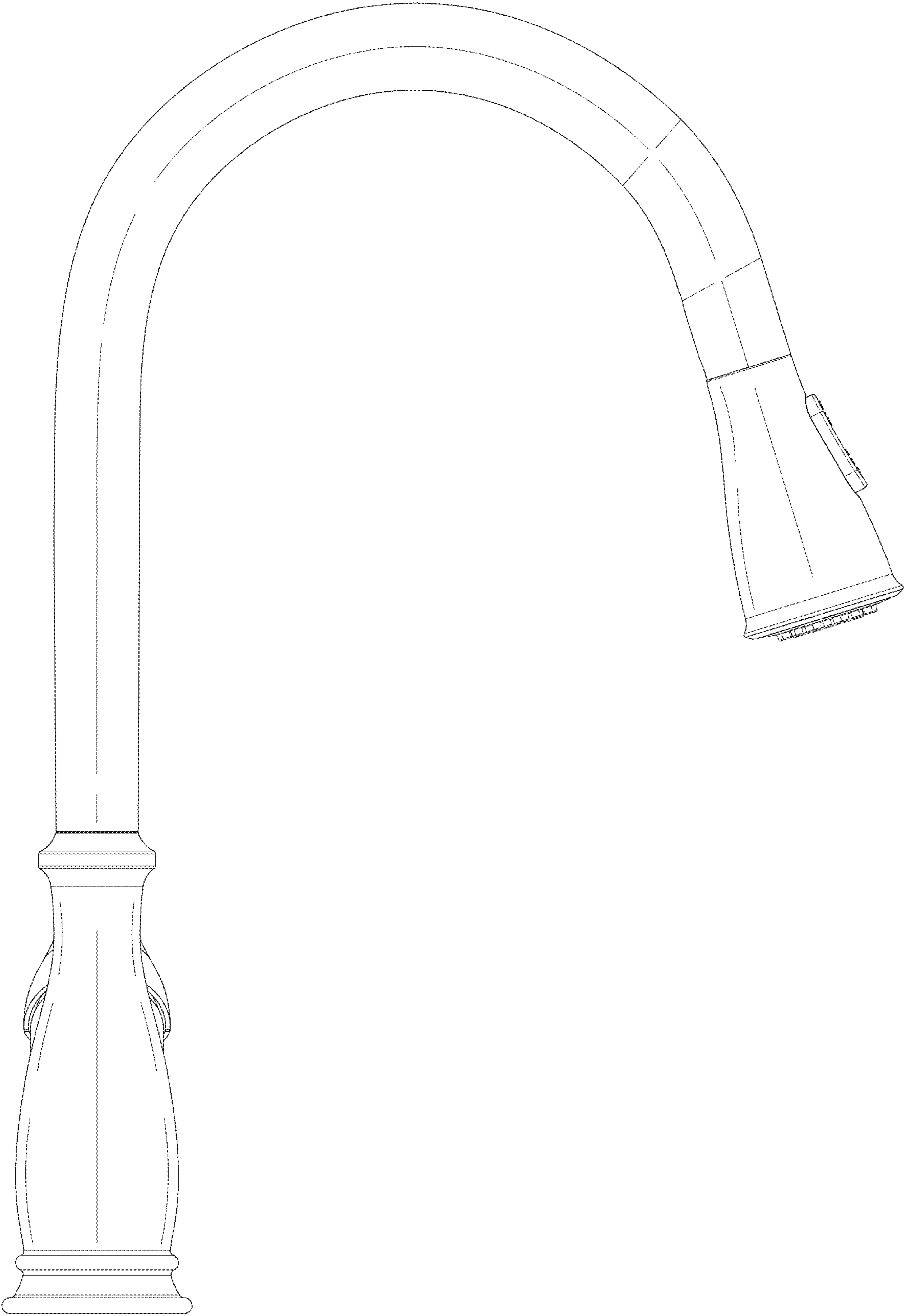


FIG. 6

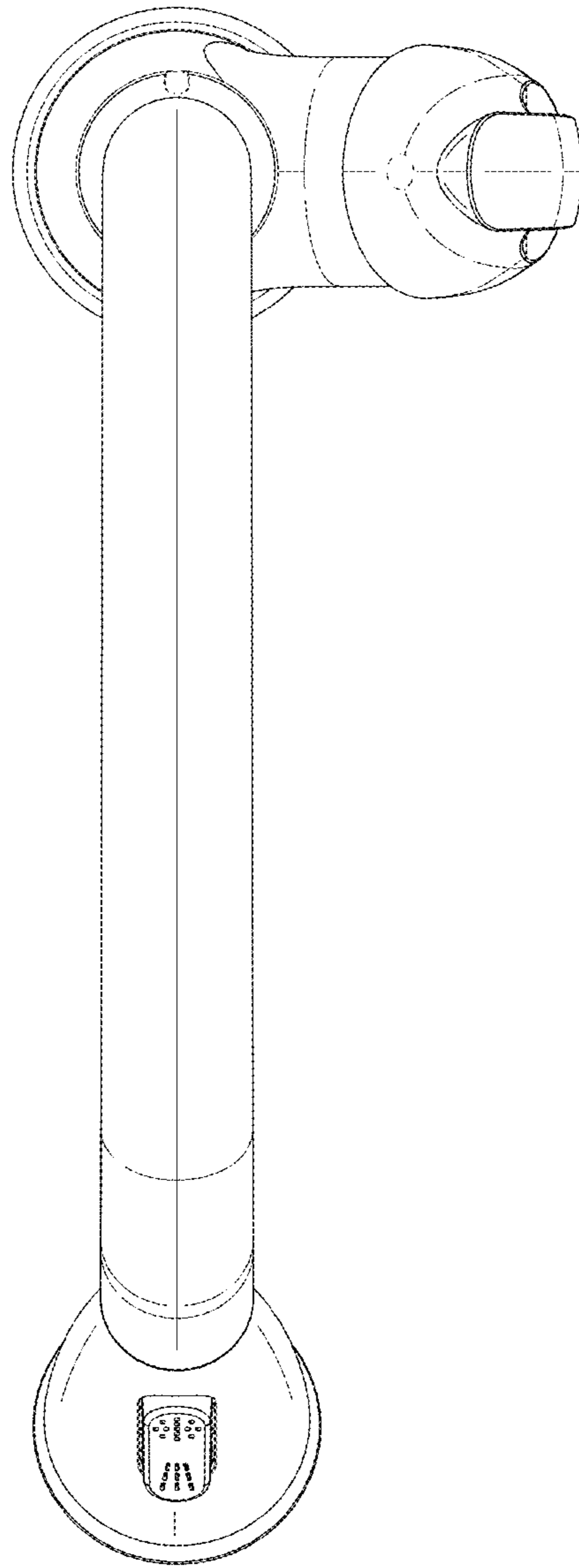


FIG. 7



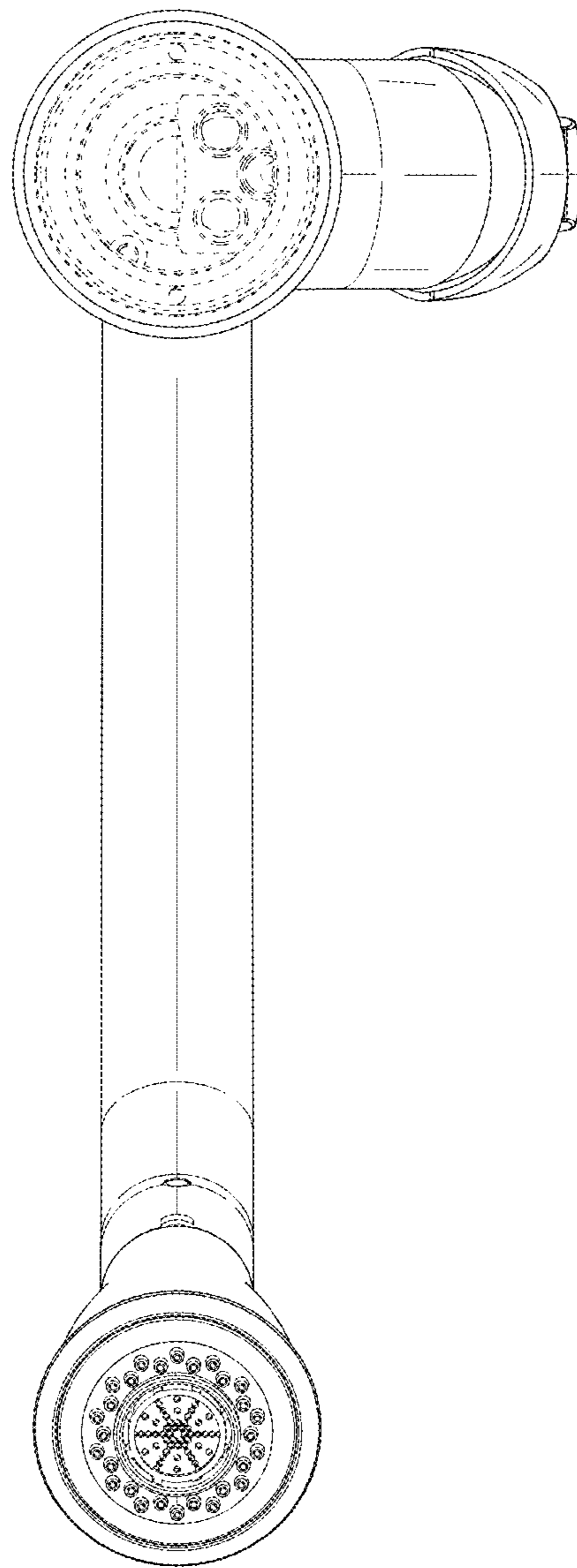


FIG. 8