



US00D920479S

(12) **United States Design Patent**
Ao

(10) **Patent No.:** **US D920,479 S**

(45) **Date of Patent:** **** May 25, 2021**

(54) **KITCHEN POT FILLER FAUCET**

(71) Applicant: **Qilan Ao**, Haizhu (CN)

(72) Inventor: **Qilan Ao**, Haizhu (CN)

(**) Term: **15 Years**

(21) Appl. No.: **29/697,589**

(22) Filed: **Jul. 10, 2019**

(51) **LOC (13) Cl.** **23-01**

(52) **U.S. Cl.**
USPC **D23/238**

(58) **Field of Classification Search**
USPC D23/237, 238, 240–243, 249, 254, 255,
D23/257; D6/524

CPC E03C 1/0401; E03C 1/04; E03C 1/0402;
E03C 1/0404; Y10T 137/9464

See application file for complete search history.

(56) **References Cited**

U.S. PATENT DOCUMENTS

D540,435 S *	4/2007	Wilcox	D23/238
D551,324 S *	9/2007	Wilcox	D23/238
D576,705 S *	9/2008	McKeone	D23/238
D585,111 S *	1/2009	Eilmus	D23/238
D606,173 S *	12/2009	Sieger	D23/255
D619,220 S *	7/2010	Semchuck	D23/238
D646,359 S *	10/2011	Sieger	D23/238
D853,528 S *	7/2019	Eads	D23/239
D855,765 S *	8/2019	Song	D23/238
D883,436 S *	5/2020	Kuang	D23/238

D891,584 S *	7/2020	Johnson	D23/238
2007/0251590 A1 *	11/2007	Weinstein	E03C 1/0404 137/801
2020/0385963 A1 *	12/2020	Song	E03C 1/0404

* cited by examiner

Primary Examiner — John A Voytek

(74) *Attorney, Agent, or Firm* — Rumit Ranjit Kanakia

(57) **CLAIM**

I claim the ornamental design for a kitchen pot filler faucet, as shown and described.

DESCRIPTION

FIG. 1 is a Perspective view of a kitchen pot filler faucet showing my new design;

FIG. 2 is other Perspective view of the kitchen pot filler faucet as shown in FIG. 1;

FIG. 3 is a Right-side view of the kitchen pot filler faucet as shown in FIG. 1;

FIG. 4 is a Left-side view of the kitchen pot filler faucet as shown in FIG. 1;

FIG. 5 is a Front view of the kitchen pot filler faucet as shown in FIG. 1;

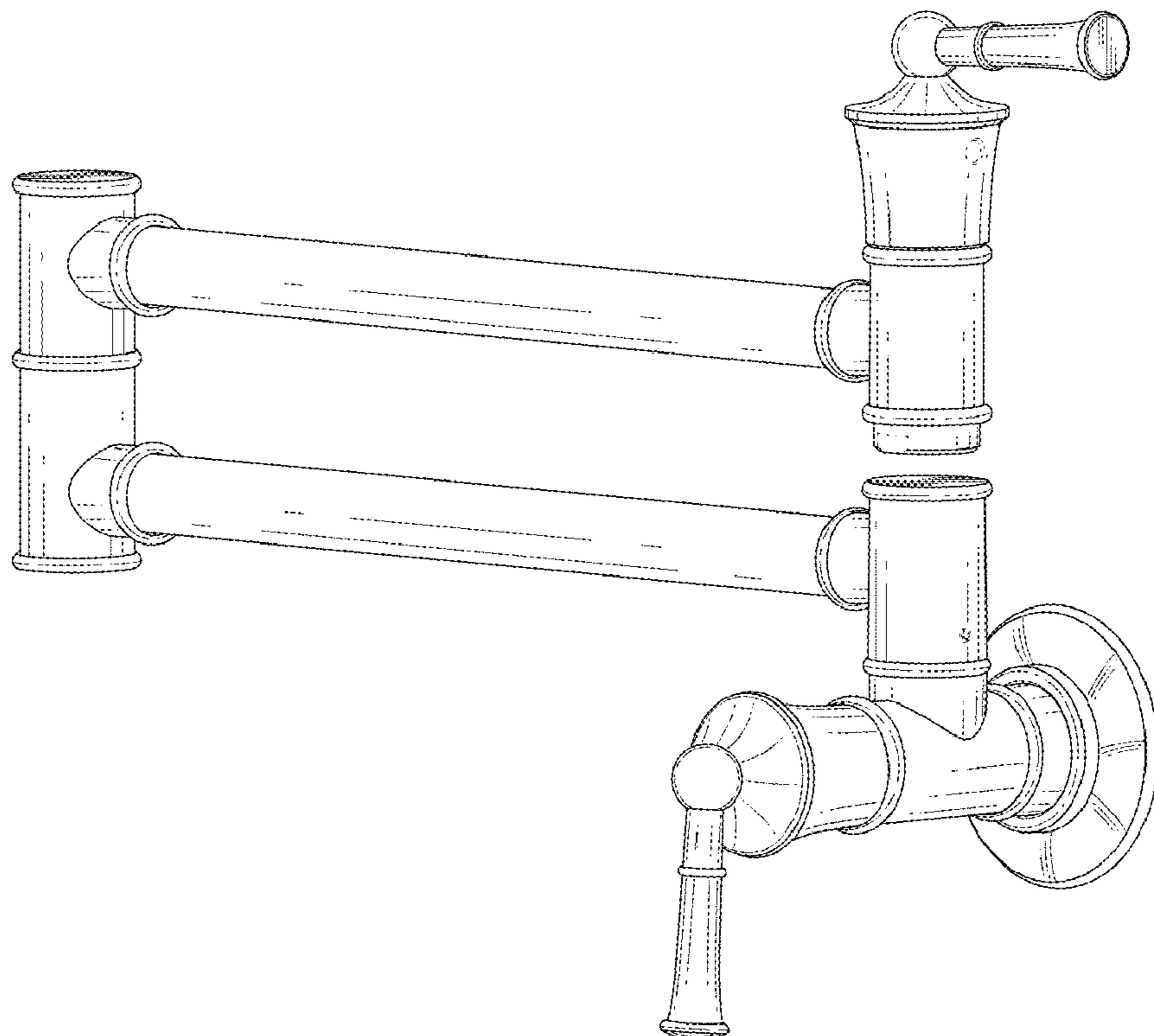
FIG. 6 is a Back view of the kitchen pot filler faucet as shown in FIG. 1;

FIG. 7 is a Top view of the kitchen pot filler faucet as shown in FIG. 1; and,

FIG. 8 is a Bottom view of the kitchen pot filler faucet as shown in FIG. 1.

The broken lines are for the purpust of illustrating portions of the article that form no part of the claim.

1 Claim, 8 Drawing Sheets



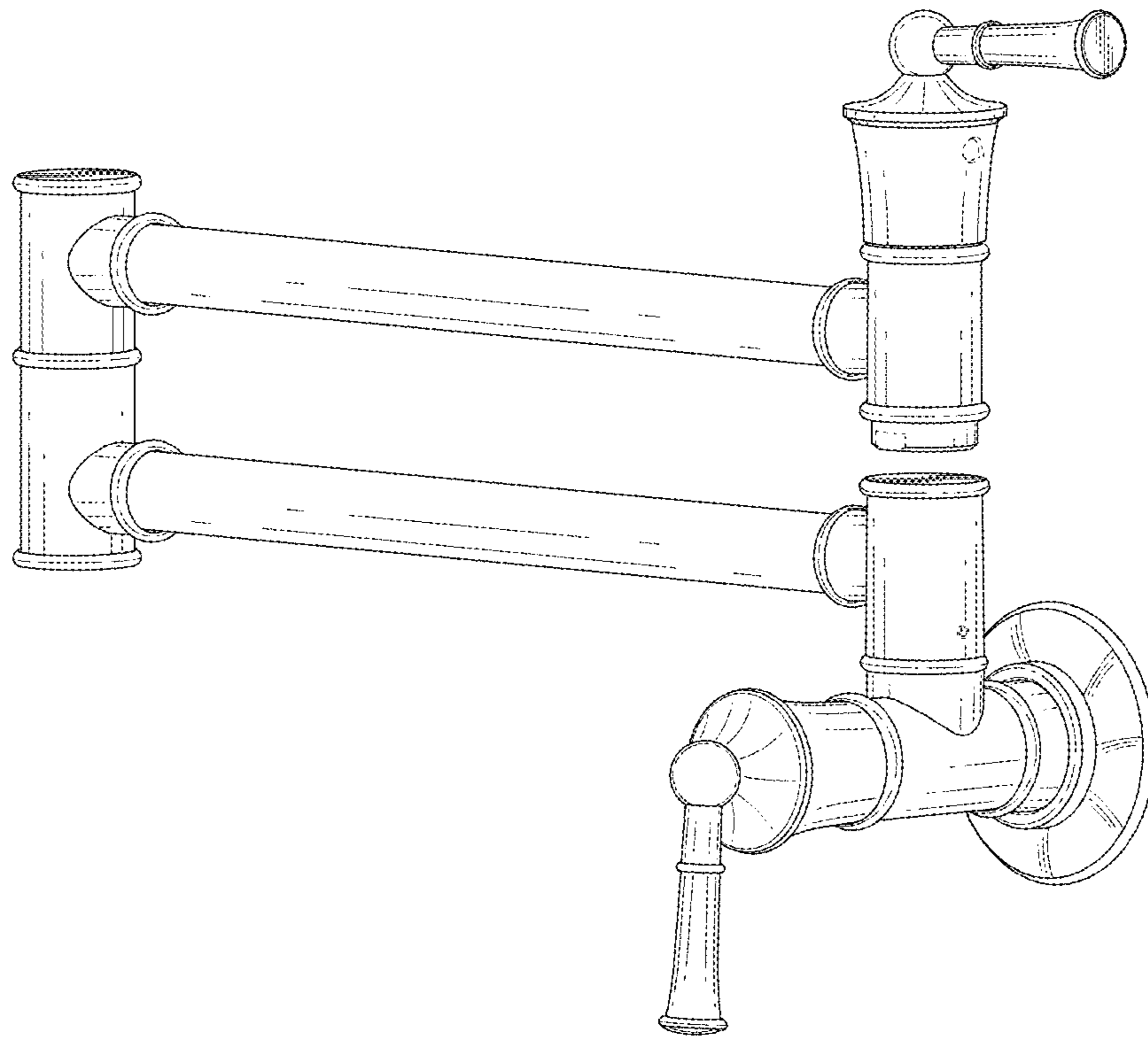


FIG. 1

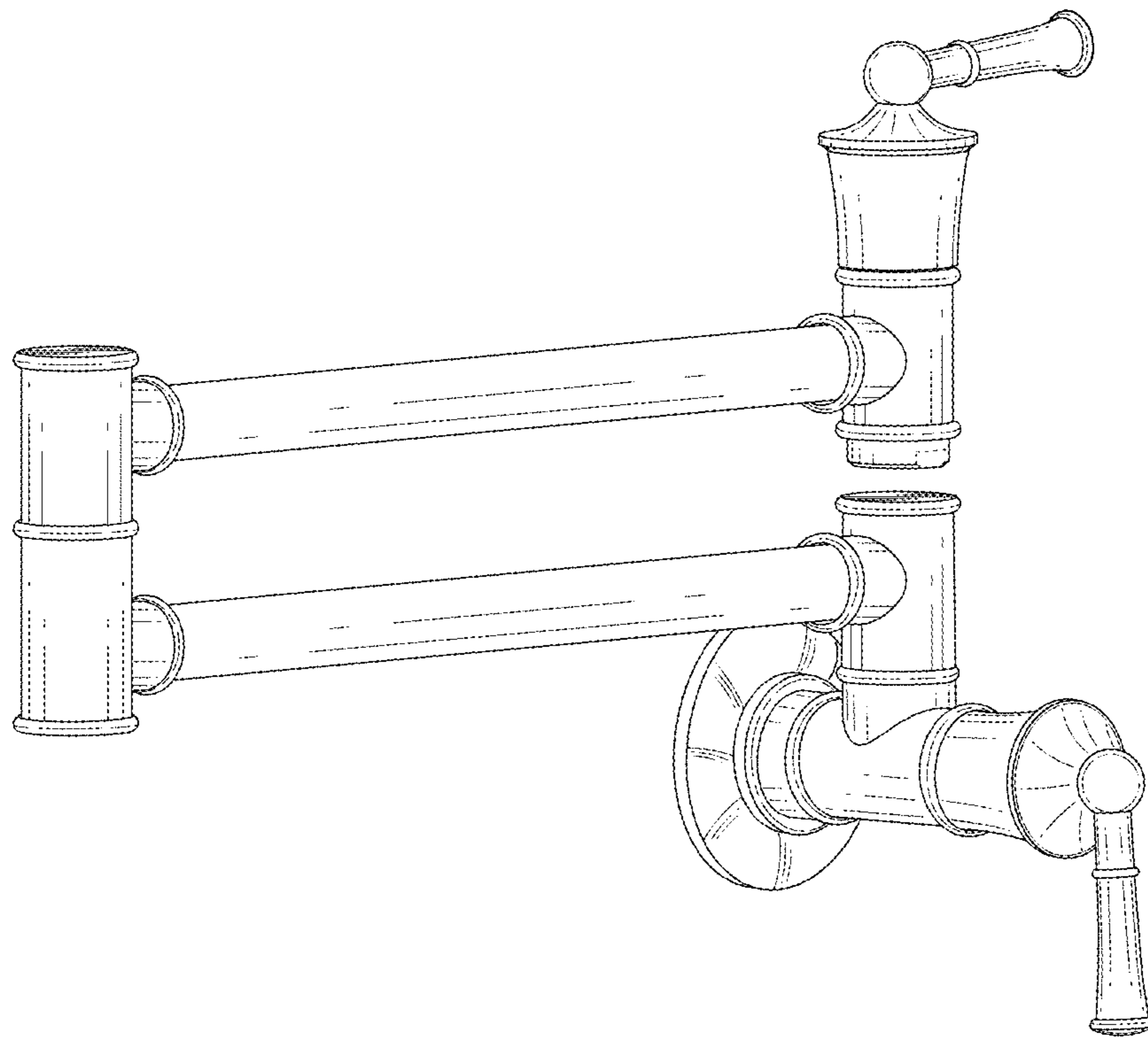


FIG. 2

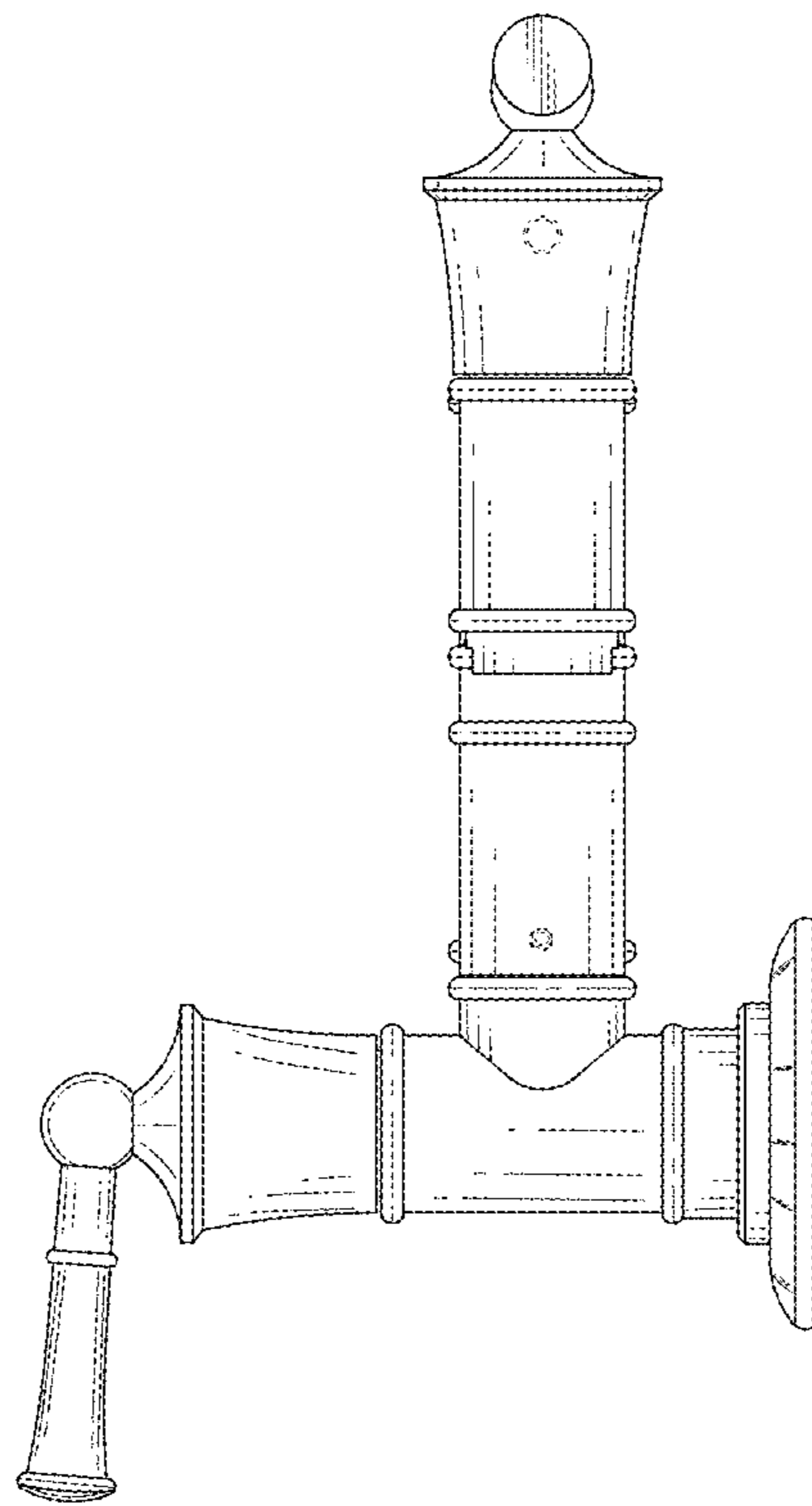


FIG. 3

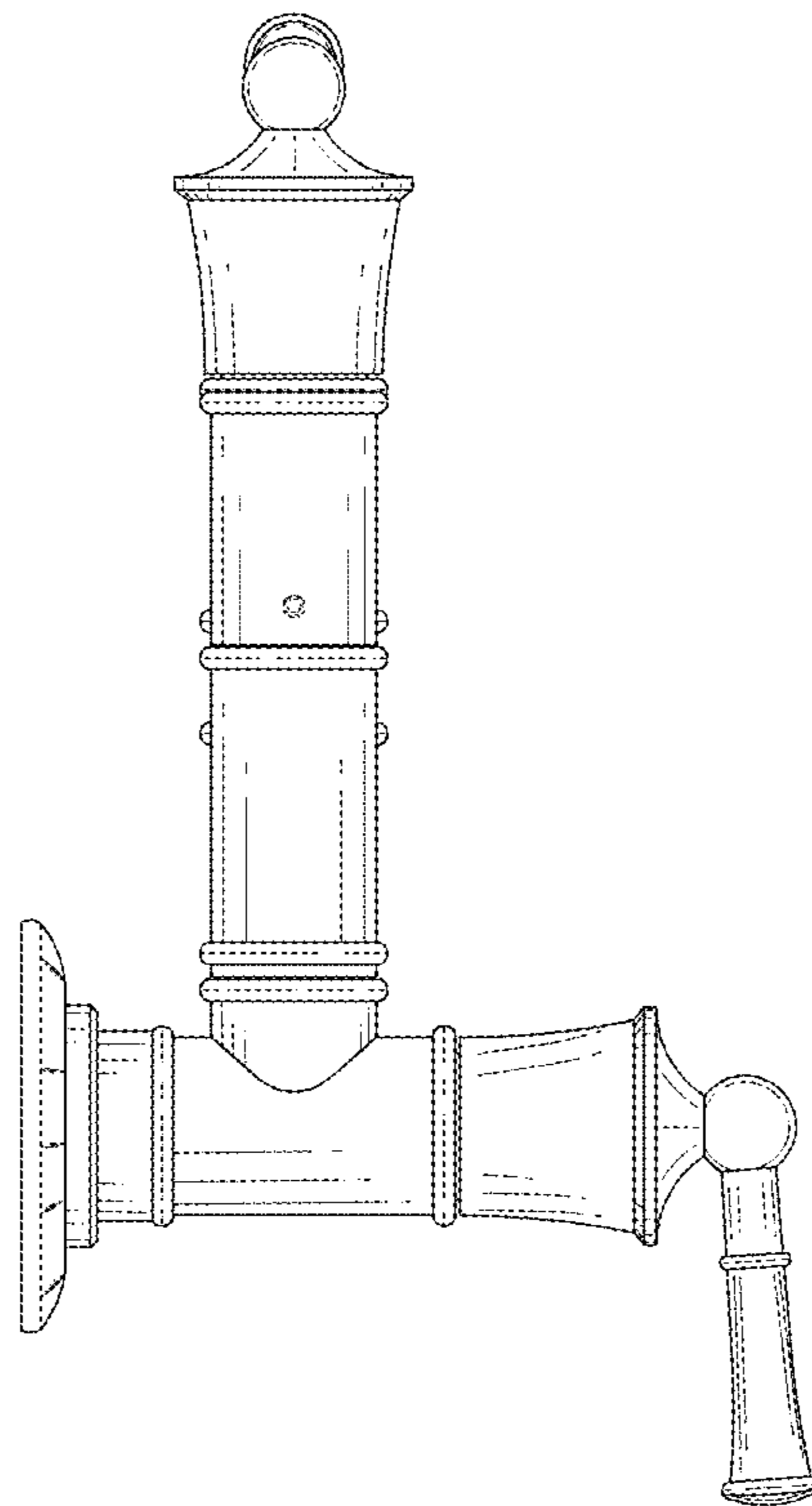


FIG. 4

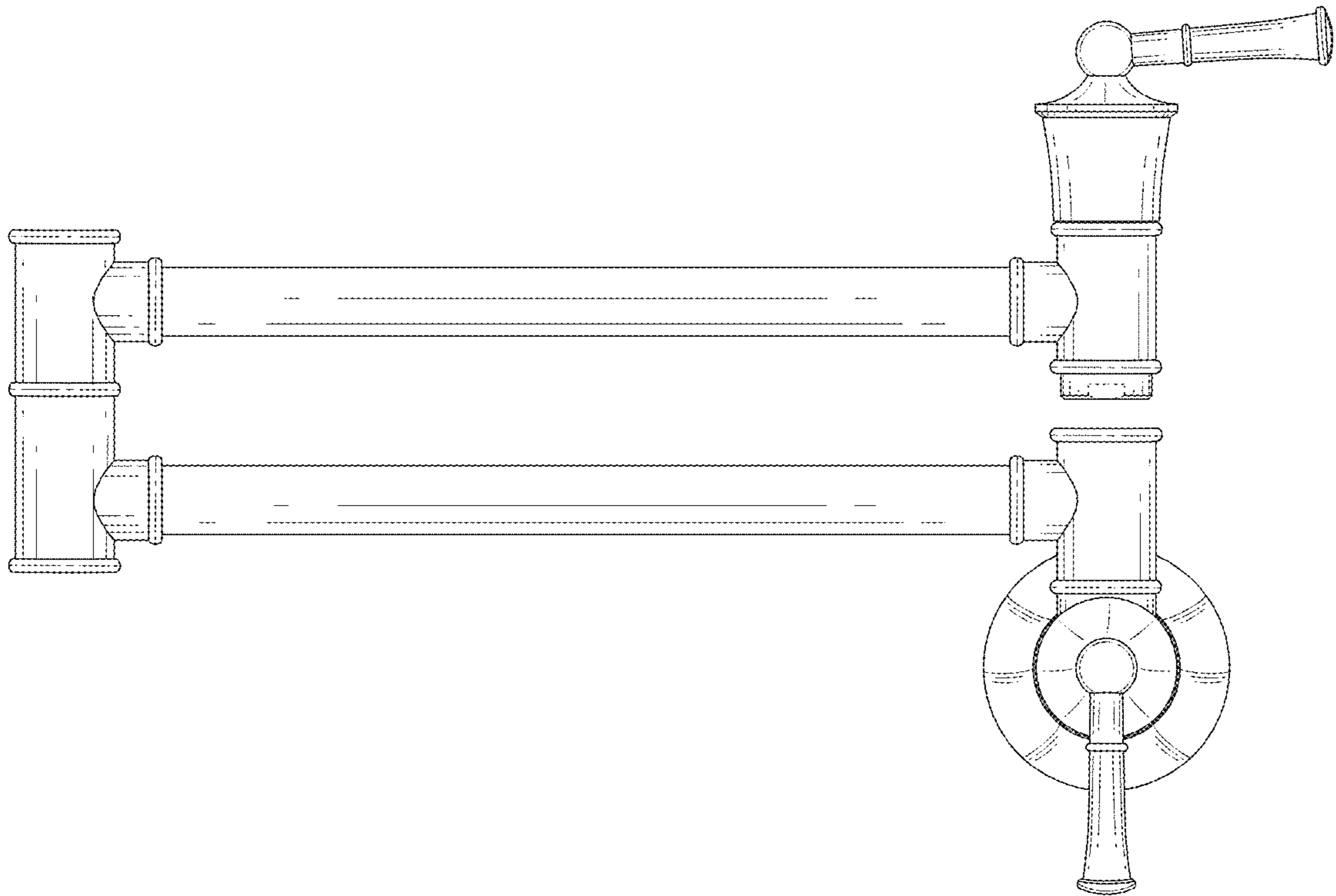


FIG. 5

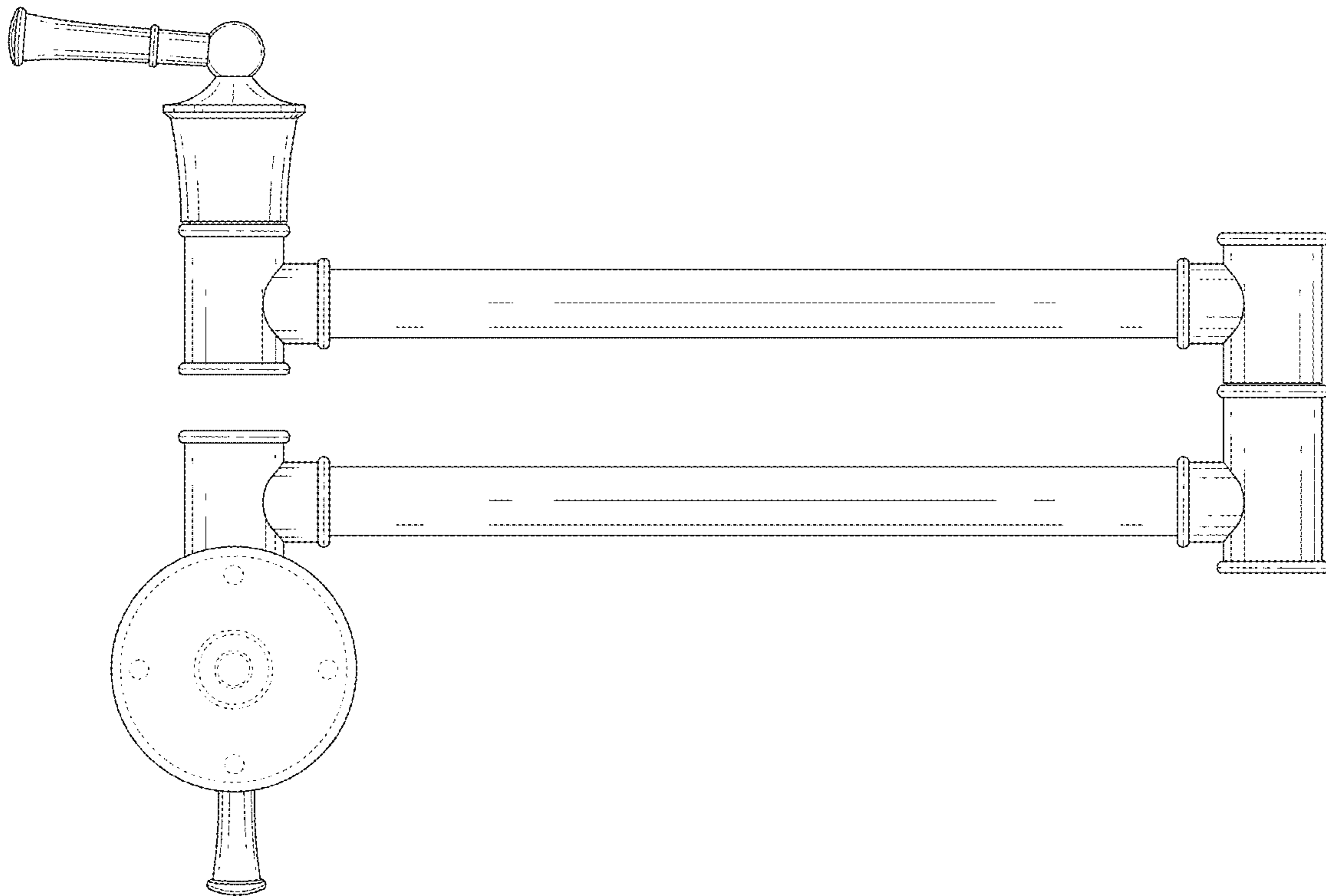


FIG. 6

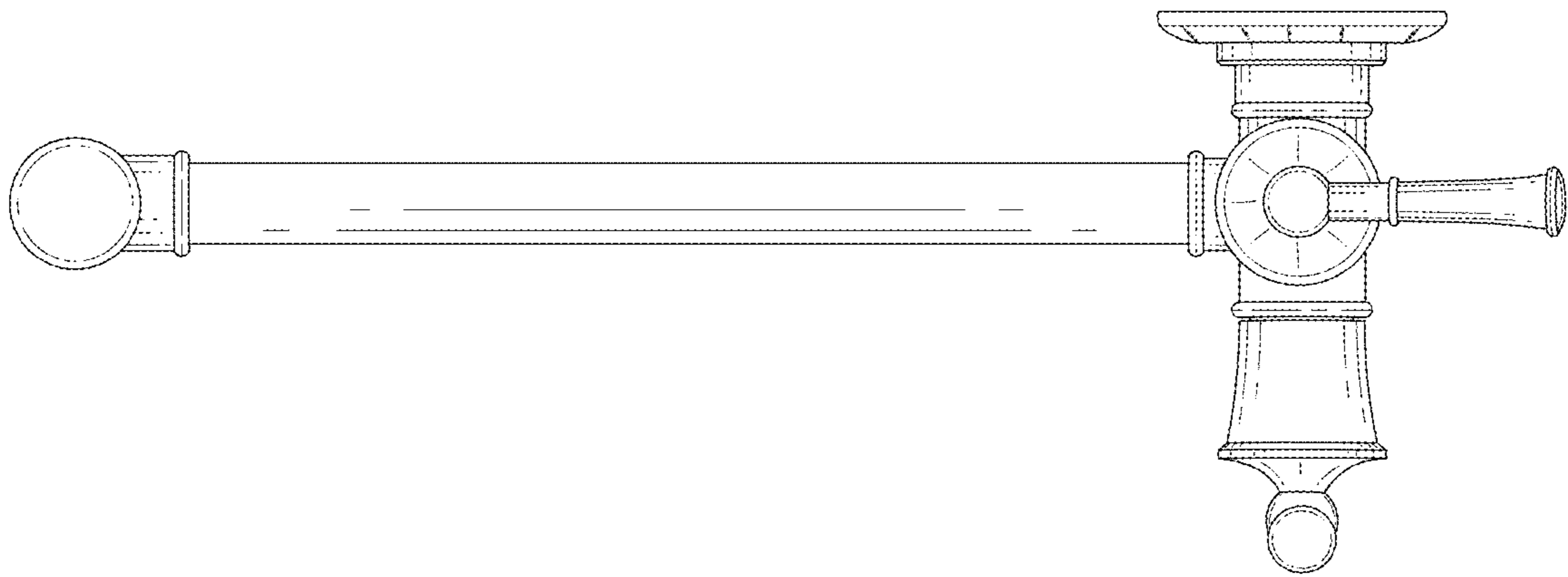


FIG. 7

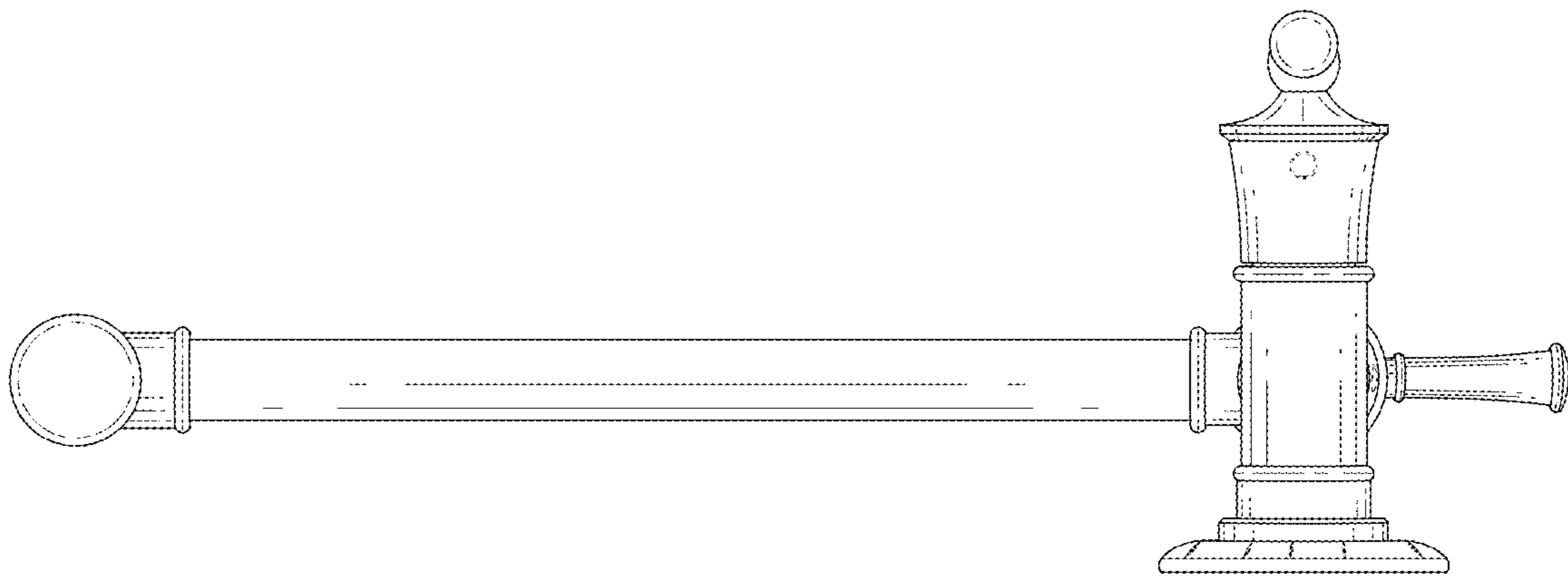


FIG. 8