



US00D920478S

(12) **United States Design Patent** (10) **Patent No.:** **US D920,478 S**
Lu et al. (45) **Date of Patent:** **** May 25, 2021**

(54) **FAUCET**
(71) Applicants: **XIAMEN IEBS HI-TECH CO., LTD**,
Xiamen (CN); **BBC INNOVATION**
CORPORATION, Crystal Lake, IL
(US)
(72) Inventors: **Yang Lu**, Xiamen (CN); **Xinxing**
Wang, Xiamen (CN)
(73) Assignees: **XIAMEN IEBS HI-TECH CO., LTD**,
Xiamen (CN); **BBC INNOVATION**
CORPORATION, Crystal Lake, IL
(US)
(**) Term: **15 Years**
(21) Appl. No.: **29/657,097**
(22) Filed: **Jul. 19, 2018**
(30) **Foreign Application Priority Data**

Jun. 4, 2018 (CN) 201830274088.5

(51) **LOC (13) Cl.** **23-01**
(52) **U.S. Cl.**
USPC **D23/238**

(58) **Field of Classification Search**
USPC D23/213, 214, 218, 227, 229, 230, 254,
D23/255, 257; 137/801; 4/678
CPC A47K 7/00; B05B 1/00; B05B 1/05; B05B
1/18; B05B 1/185; B05B 1/14; B05B
1/02
See application file for complete search history.

(56) **References Cited**

U.S. PATENT DOCUMENTS

D802,091 S * 11/2017 Bahler D23/213
D842,429 S * 3/2019 Huang D23/213
D842,430 S * 3/2019 Huang D23/213
D862,647 S * 10/2019 Zeng D23/238
D862,648 S * 10/2019 Zeng D23/238
D862,651 S * 10/2019 Zeng D23/238

D862,652 S * 10/2019 Zeng D23/238
D862,654 S * 10/2019 Zeng D23/240
D867,525 S * 11/2019 Eads D23/213
D867,526 S * 11/2019 Garland D23/213
D867,527 S * 11/2019 Eads D23/213
D871,546 S * 12/2019 Bahler D23/238
2016/0136659 A1 * 5/2016 Erickson B05B 1/1618
239/443

OTHER PUBLICATIONS

Pull Out Spray Head for Kitchen Faucet reference [Jan. 15, 2020]
found online [Jan. 15, 2020]—https://www.amazon.com/Kitchen-3-Function-Replacement-Sprayer-Connector/dp/B0811JYG3N/ref=asc_df_B0811JYG3N/?tag=&linkCode=df0&hvadid=385178072563&hvpos=1o6&hvnetw=g&hvrnd=15464976582706423860&hvpon=&hyptwo=&hvqmt=&hvdev=c&.*

* cited by examiner

Primary Examiner — John A Voytek

(74) *Attorney, Agent, or Firm* — Muncy, Geissler, Olds & Lowe, P.C.

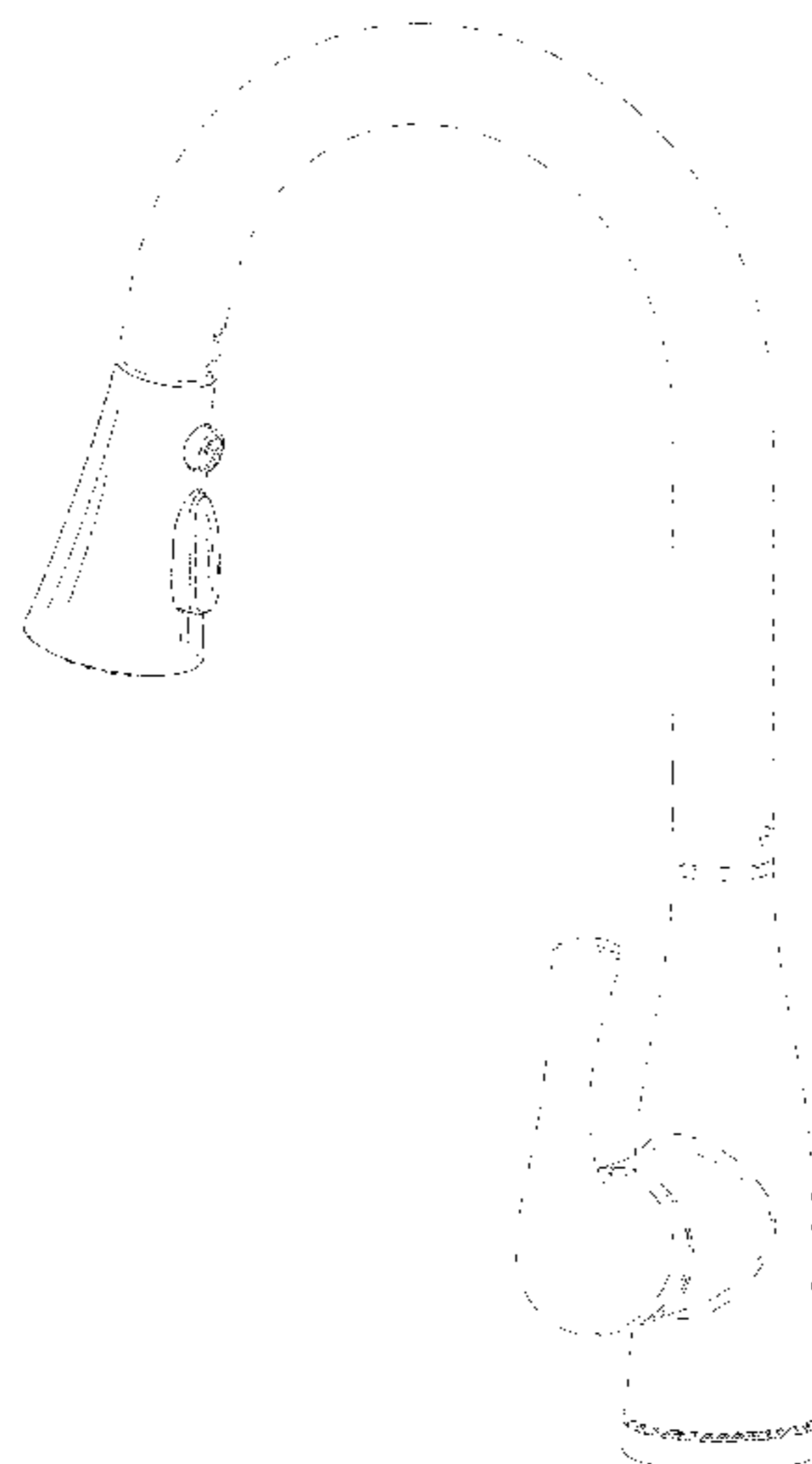
(57) **CLAIM**

The ornamental design for a faucet, as shown and described.

DESCRIPTION

FIG. 1 is a perspective view of a faucet showing our new design;
FIG. 2 is a front elevational view thereof;
FIG. 3 is a rear elevational view thereof;
FIG. 4 is a left side elevational view thereof;
FIG. 5 is a right side elevational view thereof;
FIG. 6 is a top plan view thereof;
FIG. 7 is a bottom plan view thereof.
FIG. 8 is an enlarged view of the encircled portion '8' in FIG. 2; and,
FIG. 9 is an enlarged view of the encircled portion '9' in FIG. 7.
The broken lines illustrate portions of the faucet which form no part of the claimed design.

1 Claim, 9 Drawing Sheets



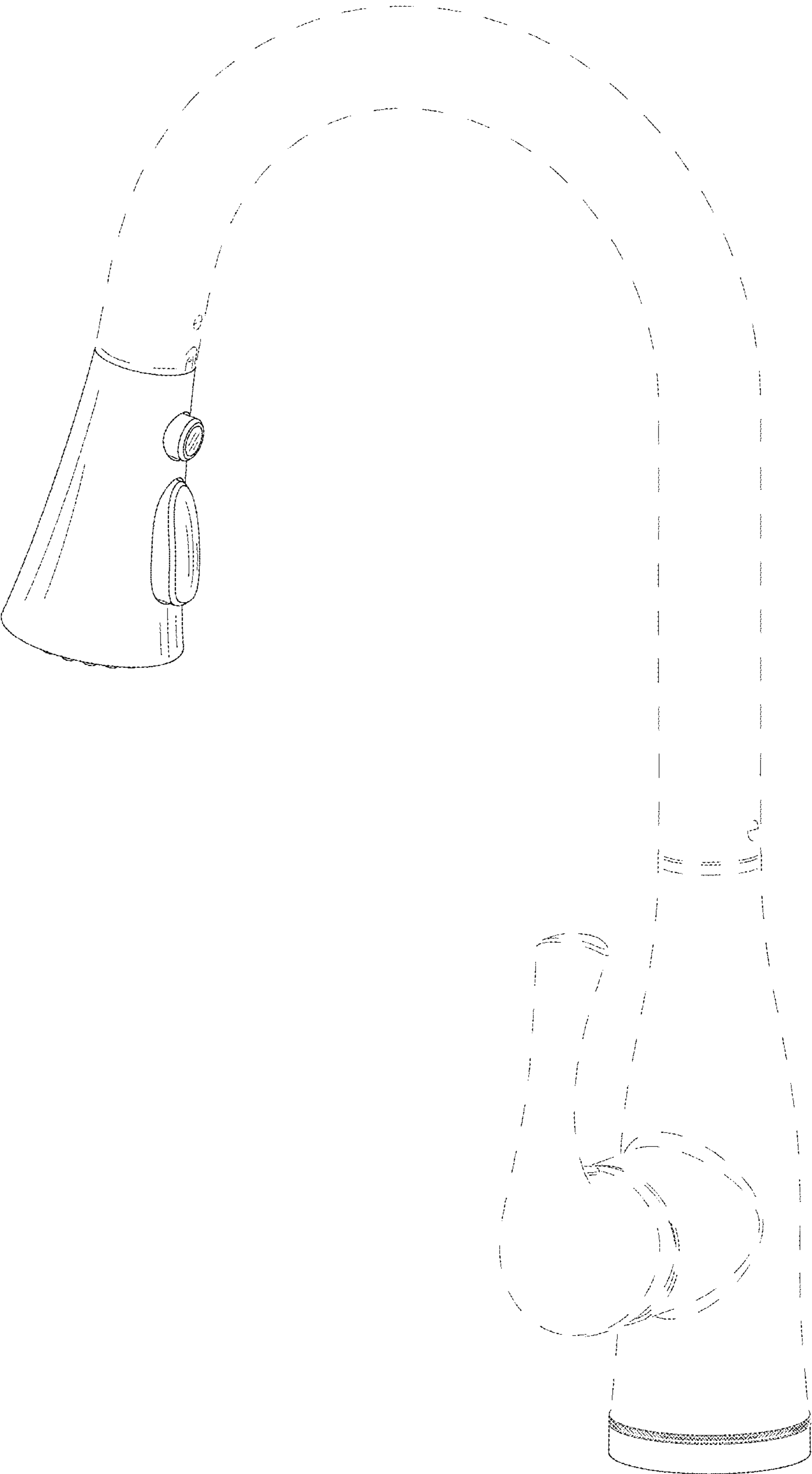


FIG.1

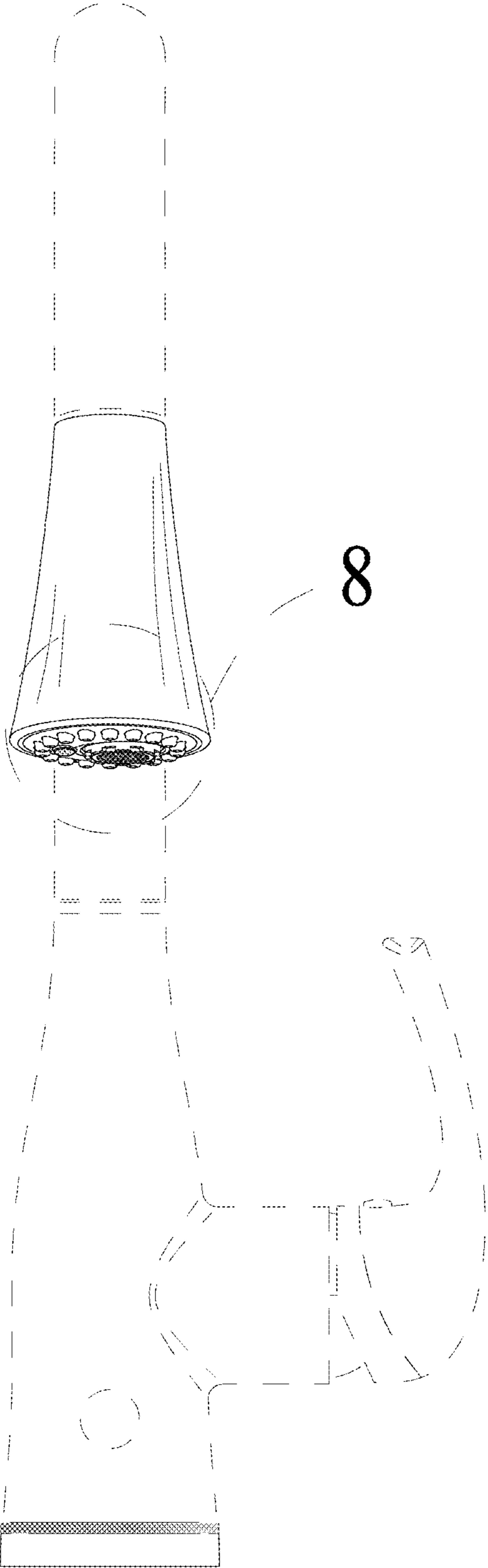


FIG.2

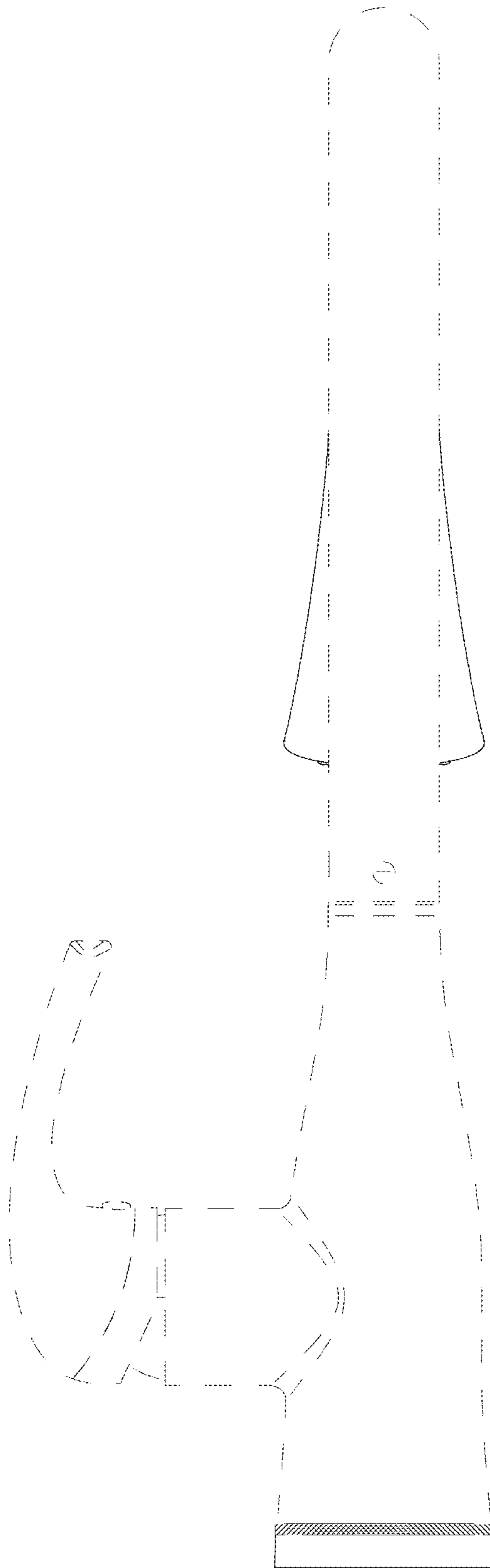


FIG.3

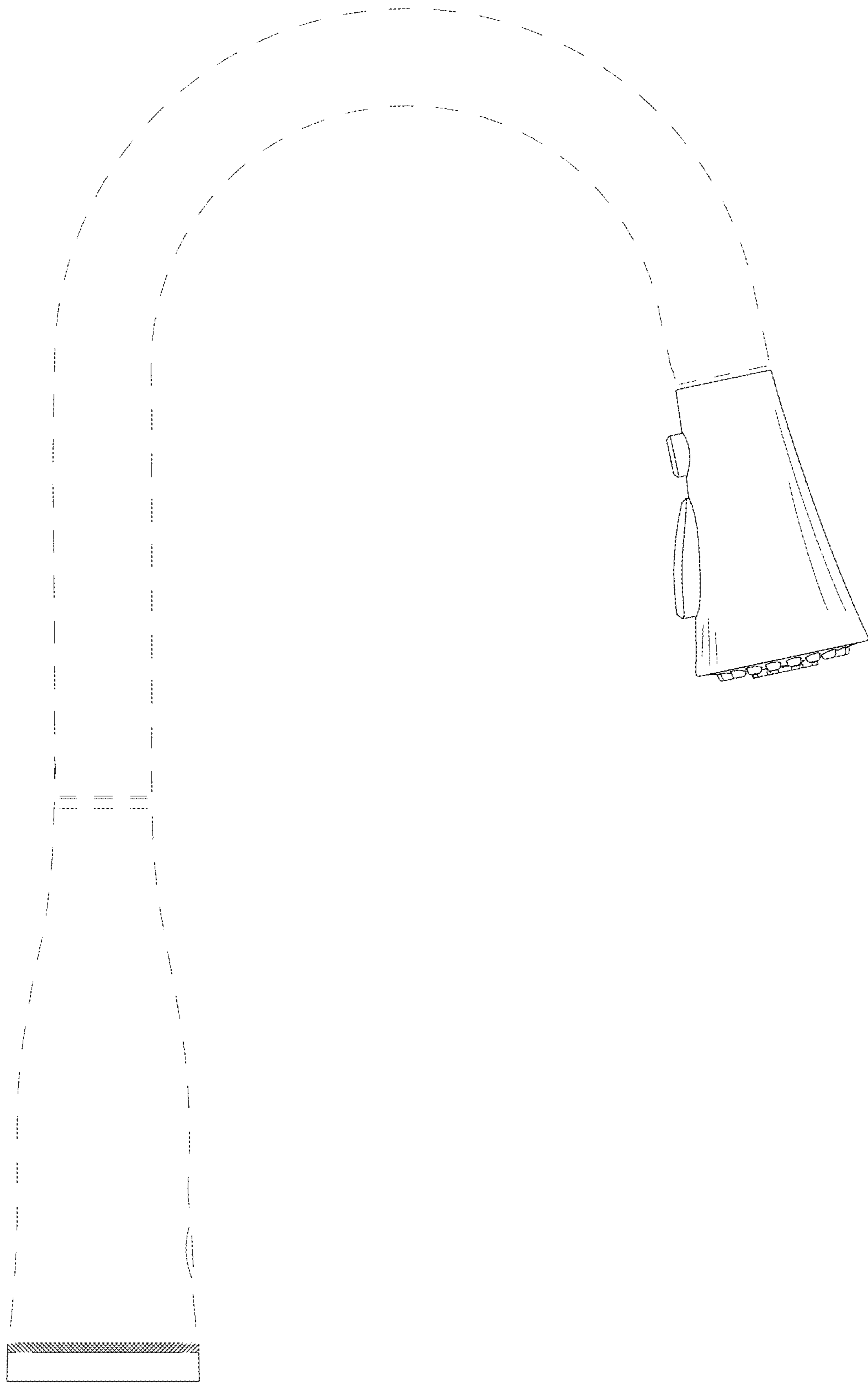


FIG.4

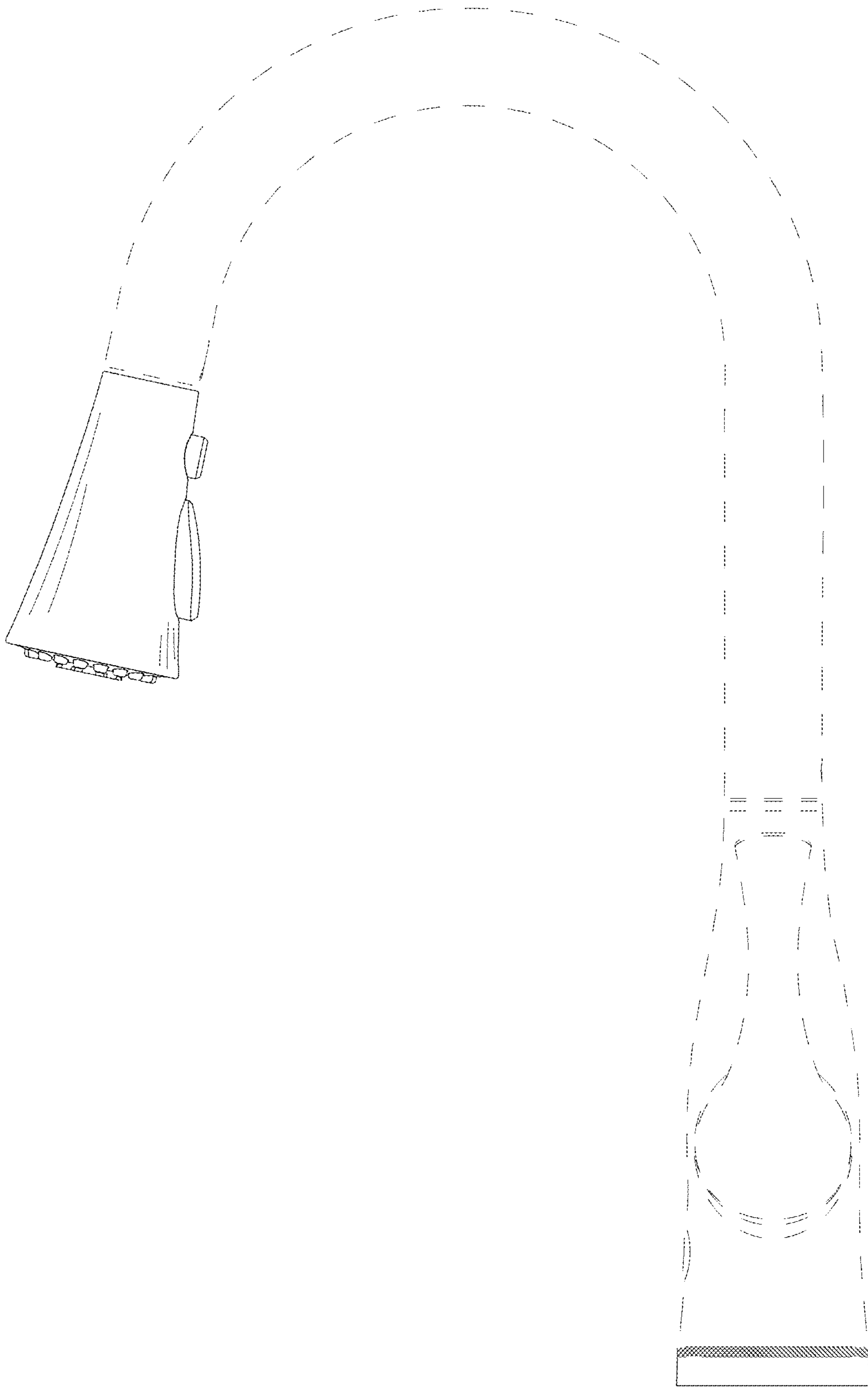


FIG.5

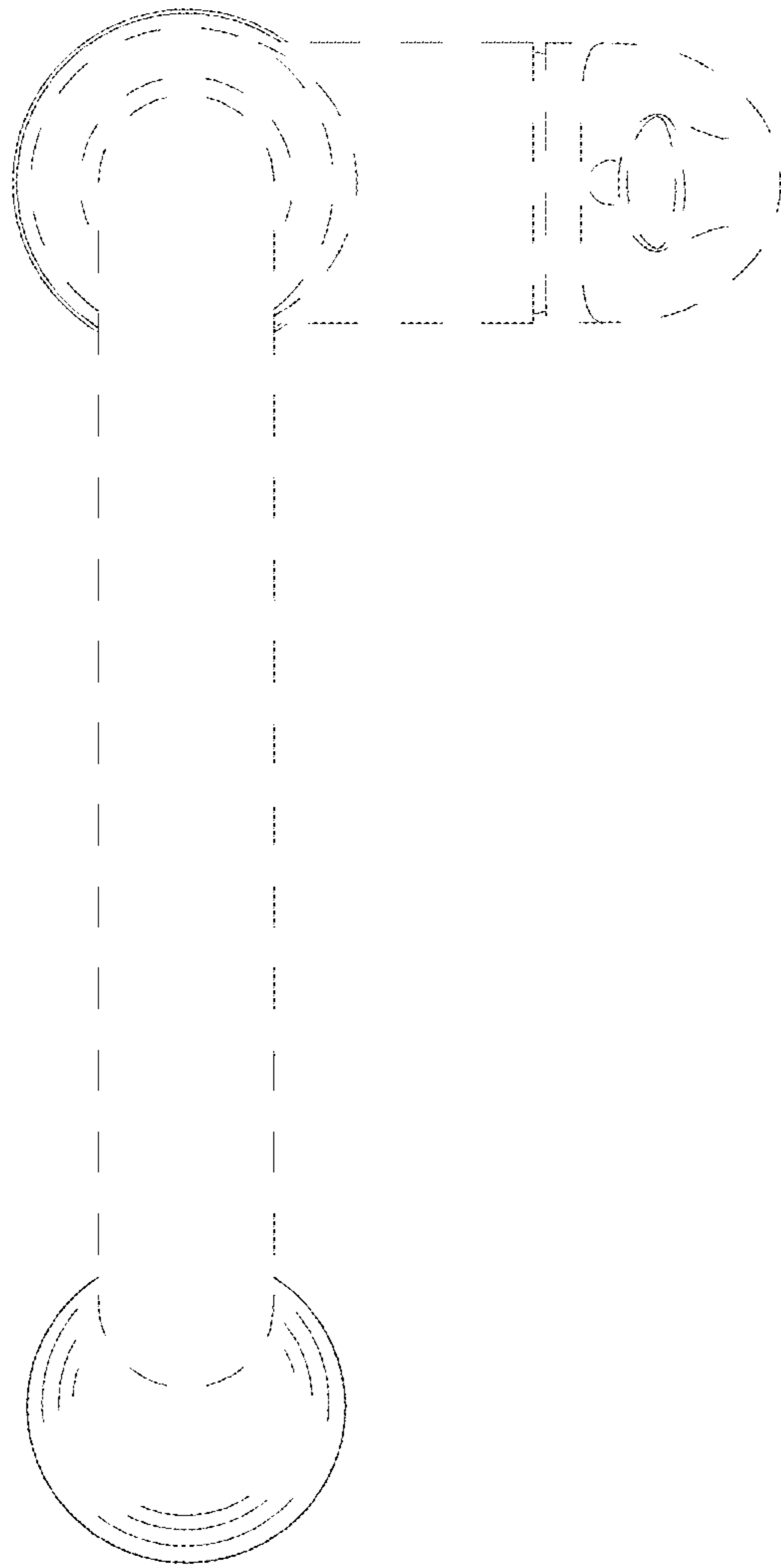


FIG.6

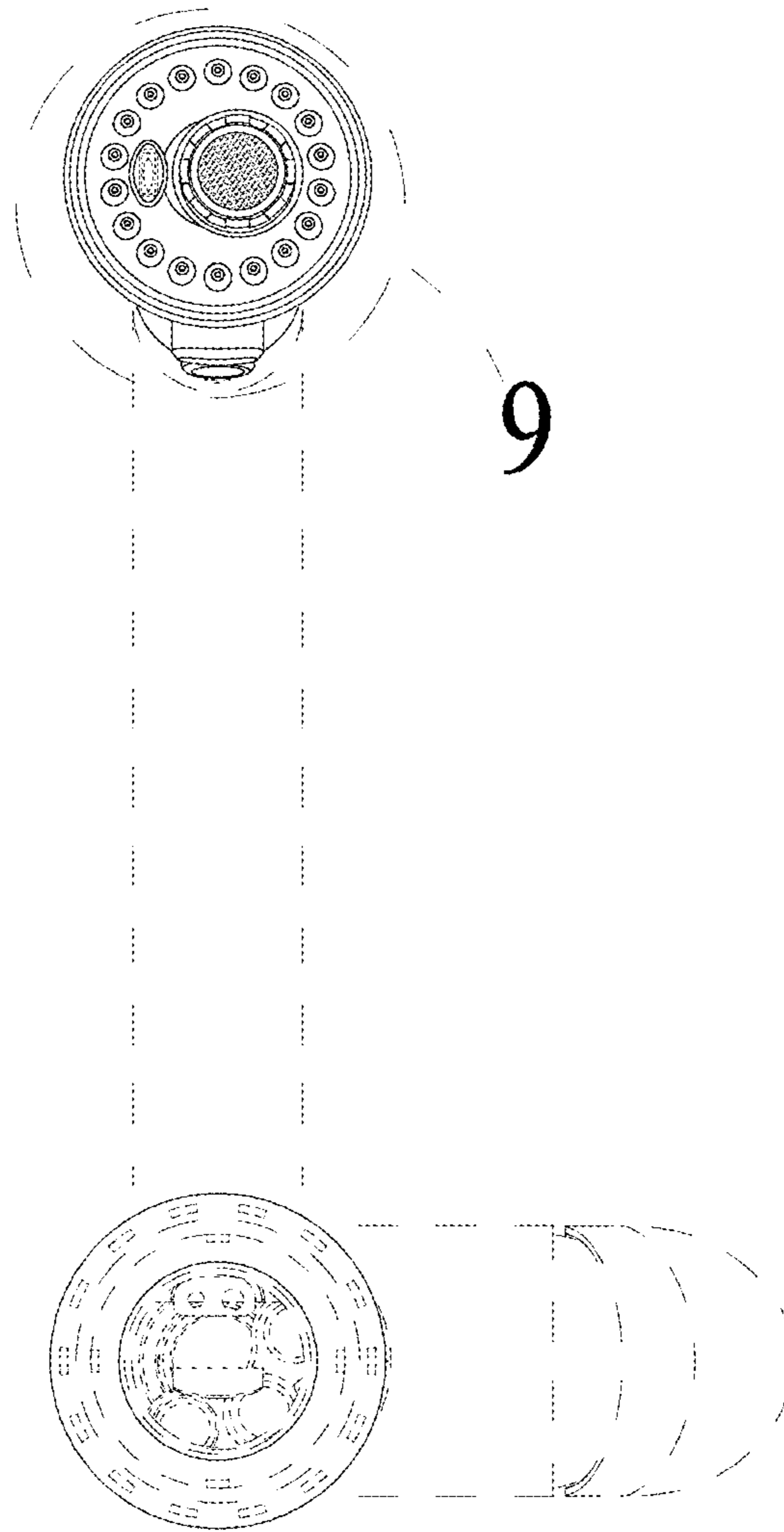


FIG.7

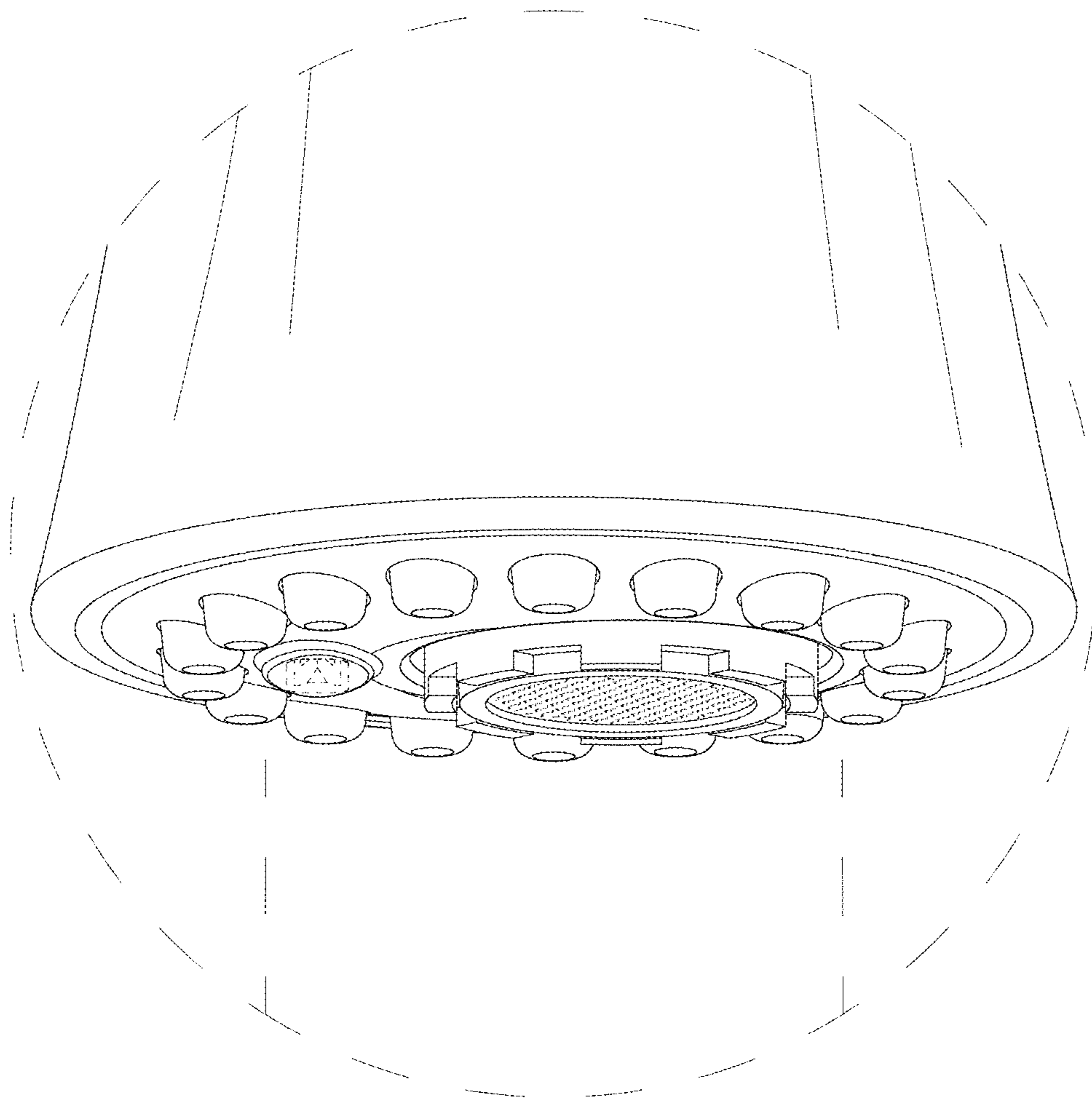


FIG.8

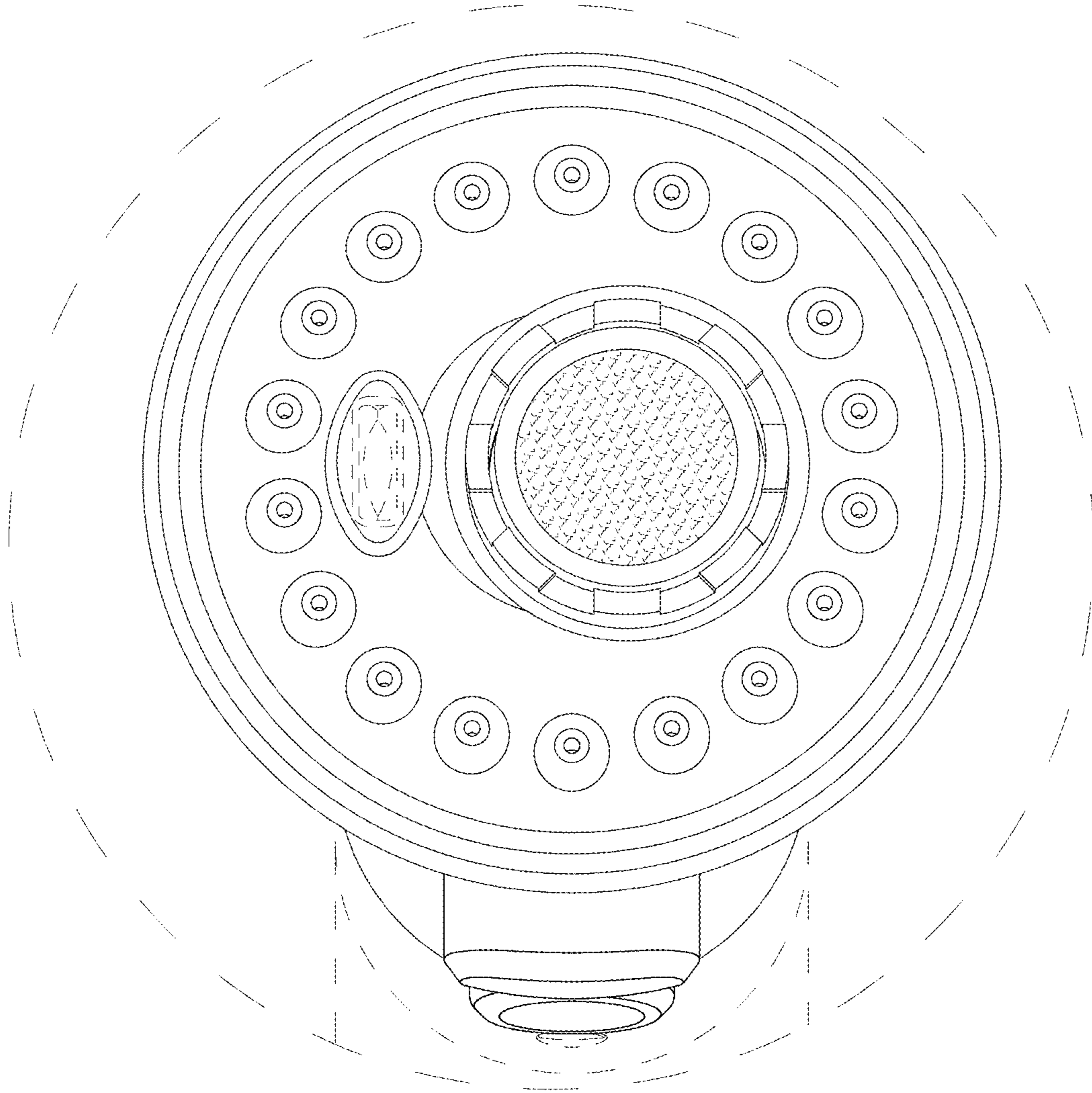


FIG.9