

US00D920475S

(12) **United States Design Patent** (10) **Patent No.:** **US D920,475 S**  
**Michalak et al.** (45) **Date of Patent:** **\*\* May 25, 2021**

(54) **HANDHELD SHOWER**

FOREIGN PATENT DOCUMENTS

(71) Applicant: <b>HANSGROHE SE</b> , Schiltach (DE)	CN	302310002	1/2013
	CN	303468635 S	11/2015
(72) Inventors: <b>Marc Michalak</b> , Kornwestheim (DE);	EM	002592113-0001	5/2014
<b>Peter Schmid</b> , Ditzingen (DE); <b>Stefan</b>	EM	00251603-0002	7/2014
<b>Hasselwander</b> , Esslingen (DE)	WO	D076515-002	12/2011

(73) Assignee: **Hansgrohe SE**, Schiltach (DE)

OTHER PUBLICATIONS

(\*\*) Term: **15 Years**

[https://www.amazon.com/dp/B07W2Z7MKQ/ref=sbl\\_dp\\_x\\_B07GFN1X21\\_0](https://www.amazon.com/dp/B07W2Z7MKQ/ref=sbl_dp_x_B07GFN1X21_0) (Year: 2019).\*

(21) Appl. No.: **29/727,525**

[https://www.amazon.com/dp/B07YTS8P8K/ref=sbl\\_dp\\_x\\_B08KTGPBB\\_0](https://www.amazon.com/dp/B07YTS8P8K/ref=sbl_dp_x_B08KTGPBB_0) (Year: 2019).\*

(22) Filed: **Mar. 11, 2020**

[https://www.amazon.com/TYMO-Hair-Straightening-Brush-Straightener/dp/B07QKN3FKC/ref=sr\\_1\\_15?dchild=1&keywords=heat+brush&qid=1611947263&sr=8-15](https://www.amazon.com/TYMO-Hair-Straightening-Brush-Straightener/dp/B07QKN3FKC/ref=sr_1_15?dchild=1&keywords=heat+brush&qid=1611947263&sr=8-15) (Year: 2020).\*

(51) **LOC (13) Cl.** ..... **23-01**

(52) **U.S. Cl.**  
USPC ..... **D23/226**

\* cited by examiner

(58) **Field of Classification Search**  
USPC ..... D23/213, 214, 215, 223, 224, 226, 229  
CPC ..... A61H 9/0021; A61H 33/00; B05B 1/00;  
B05B 1/14; B05B 1/185; B05B 1/08;  
B05B 1/02; B05B 1/26; B05B 12/002;  
B05B 1/18; B05B 9/01

*Primary Examiner* — Jack Reichel  
*Assistant Examiner* — Keith J Wilson  
(74) *Attorney, Agent, or Firm* — Lora J. Graentzdoerffer

See application file for complete search history.

(57) **CLAIM**

The ornamental design for a handheld shower, as shown and described.

(56) **References Cited**

**DESCRIPTION**

U.S. PATENT DOCUMENTS

D422,337 S *	4/2000	Chan	.....	D23/223
D604,392 S *	11/2009	Schoenherr	.....	D23/223
D652,109 S	1/2012	Nichols		
D655,388 S *	3/2012	Schoenherr	.....	D23/223
D655,389 S *	3/2012	Schoenherr	.....	D23/223
D656,219 S *	3/2012	Su	.....	D23/223
D843,549 S	3/2019	Thurgood		
D849,194 S *	5/2019	Lu	.....	D23/223
10,322,058 B1 *	6/2019	Patch	.....	B05B 1/00
D855,761 S *	8/2019	Quinn	.....	B05B 1/1627
				D23/223
D872,227 S *	1/2020	Ladwig	.....	D23/223
D875,210 S *	2/2020	Thurgood	.....	D23/223
2018/0355591 A1 *	12/2018	Saro	.....	E03C 1/046

FIG. 1 is a perspective view of a handheld shower showing our design;  
FIG. 2 is a front elevational view;  
FIG. 3 is a rear elevational view;  
FIG. 4 is a side elevational view;  
FIG. 5 is a top perspective view; and,  
FIG. 6 is a bottom perspective view.  
The broken line disclosures in the view represents portions of the handheld shower in which the claimed design is embodied, but which forms no part of the claimed design.

**1 Claim, 6 Drawing Sheets**

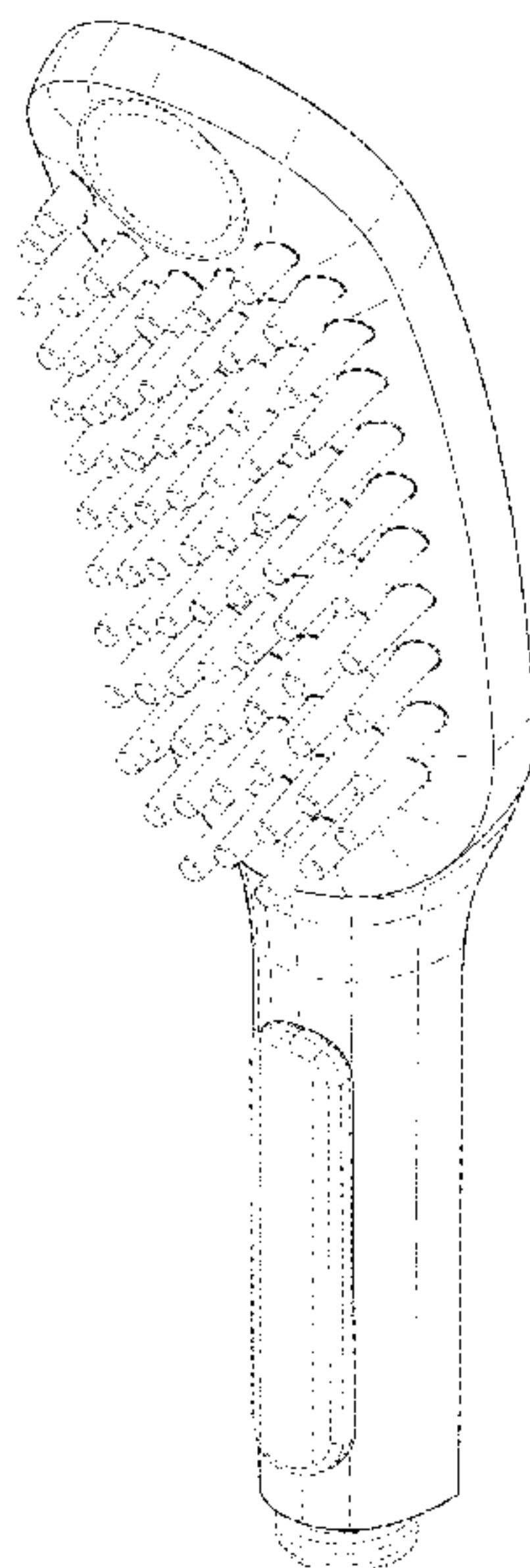


FIG. 1

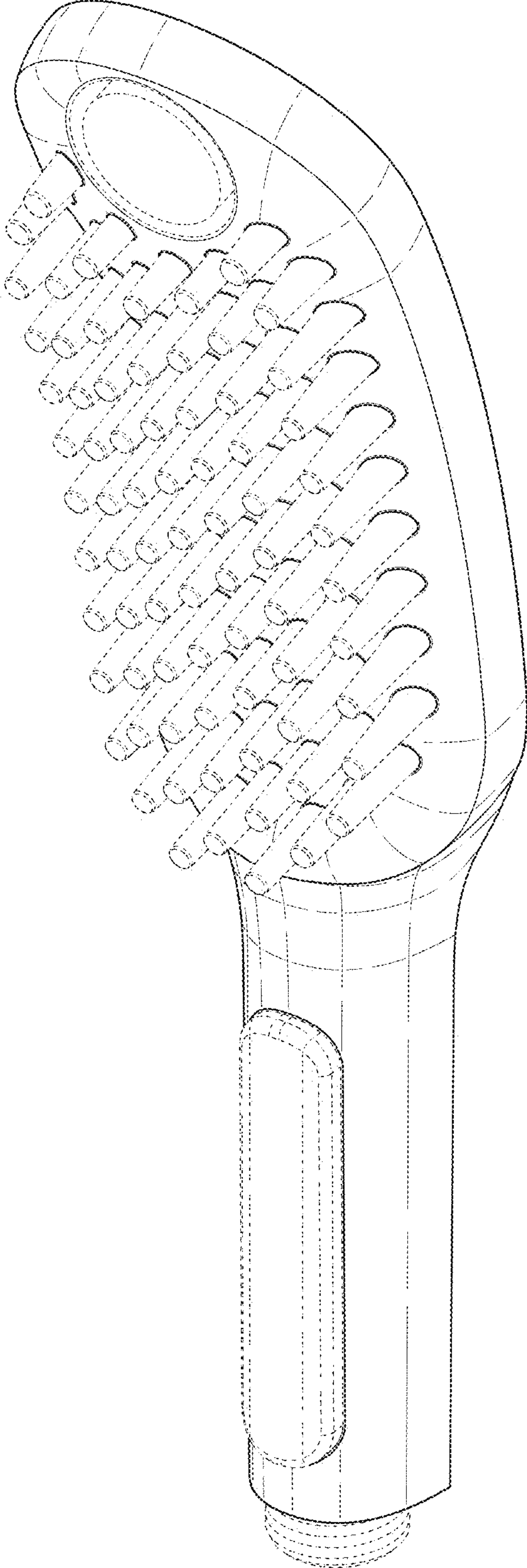


FIG. 2

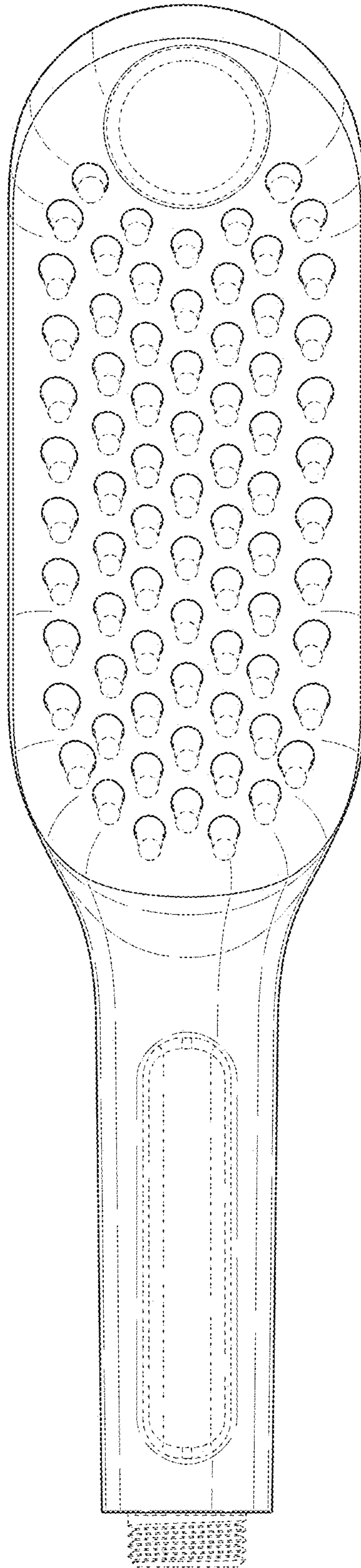


FIG. 3

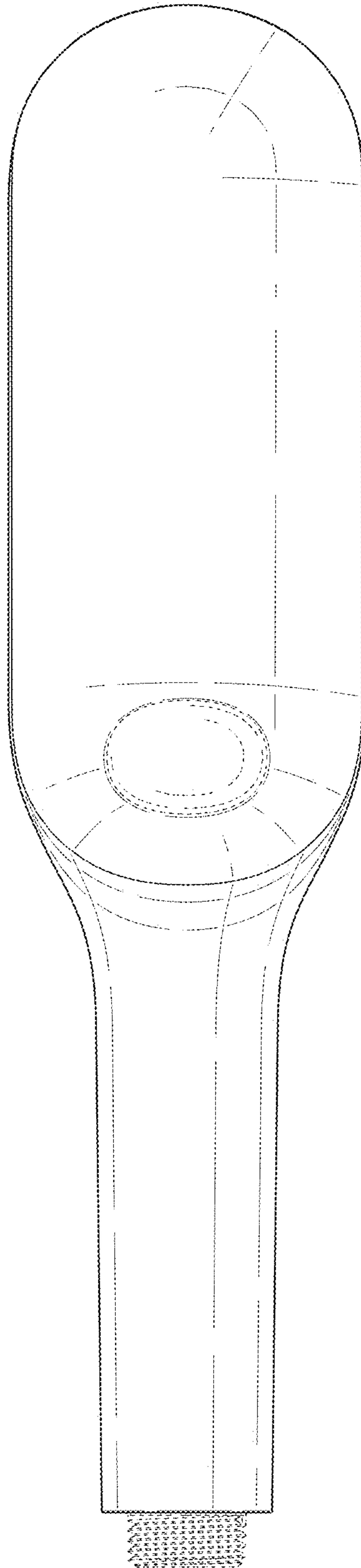




FIG. 4

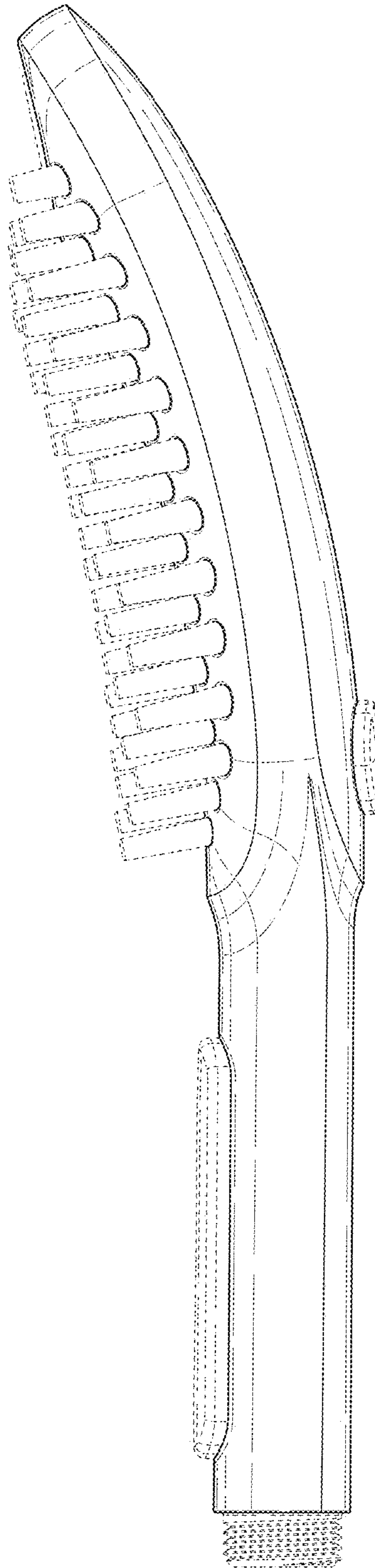


FIG. 5

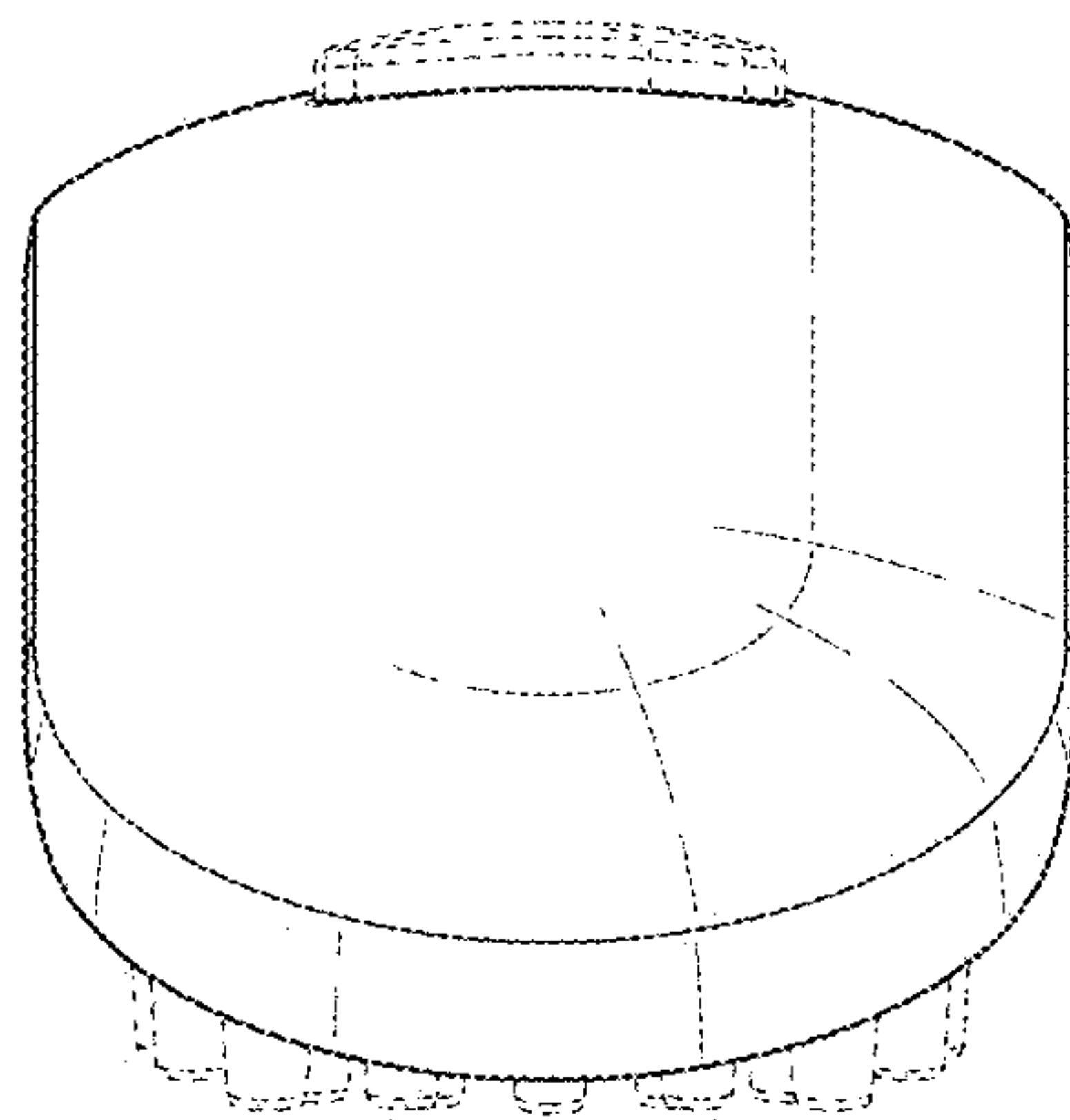


FIG. 6

