



US00D920474S

(12) **United States Design Patent**  
**Fu**

(10) **Patent No.:** **US D920,474 S**  
(45) **Date of Patent:** **\*\* May 25, 2021**

(54) **HANDHELD SHOWER**  
(71) Applicant: **Shaobo Fu**, Zhejiang (CN)  
(72) Inventor: **Shaobo Fu**, Zhejiang (CN)

5,172,860 A \* 12/1992 Yuch ..... G01K 13/02  
239/211  
D691,699 S \* 10/2013 Berger ..... D23/213  
D721,420 S \* 1/2015 Hawkins ..... D23/223

(\*\*) Term: **15 Years**

(21) Appl. No.: **29/729,497**

(22) Filed: **Mar. 27, 2020**

(51) **LOC (13) Cl.** ..... **23-01**

(52) **U.S. Cl.**  
USPC ..... **D23/222; D23/223**

(58) **Field of Classification Search**  
USPC ..... D23/213, 214, 215, 223, 224, 226, 229  
CPC ..... A61H 9/0021; A61H 33/00; B05B 1/00;  
B05B 1/14; B05B 1/185; B05B 1/08;  
B05B 1/02; B05B 1/26; B05B 12/002;  
B05B 1/18; B05B 9/01

See application file for complete search history.

(56) **References Cited**

**U.S. PATENT DOCUMENTS**

D268,611 S \* 4/1983 Klose ..... D23/222  
4,821,960 A \* 4/1989 Goldman ..... B05B 1/18  
239/211  
D329,488 S \* 9/1992 Santagada ..... D23/213

**OTHER PUBLICATIONS**

<https://www.amazon.com/dp/B07GZDLLNK/> (Year: 2018).\*  
[https://www.youtube.com/watch?v=ynH3MBFWNL4&feature=emb\\_logo](https://www.youtube.com/watch?v=ynH3MBFWNL4&feature=emb_logo) (Year: 2019).\*  
<https://www.vivaveltoro.com/oxygenics-mickey-mouse/> (Year: 2014).\*

\* cited by examiner

*Primary Examiner* — Jack Reickel  
*Assistant Examiner* — Keith J Wilson

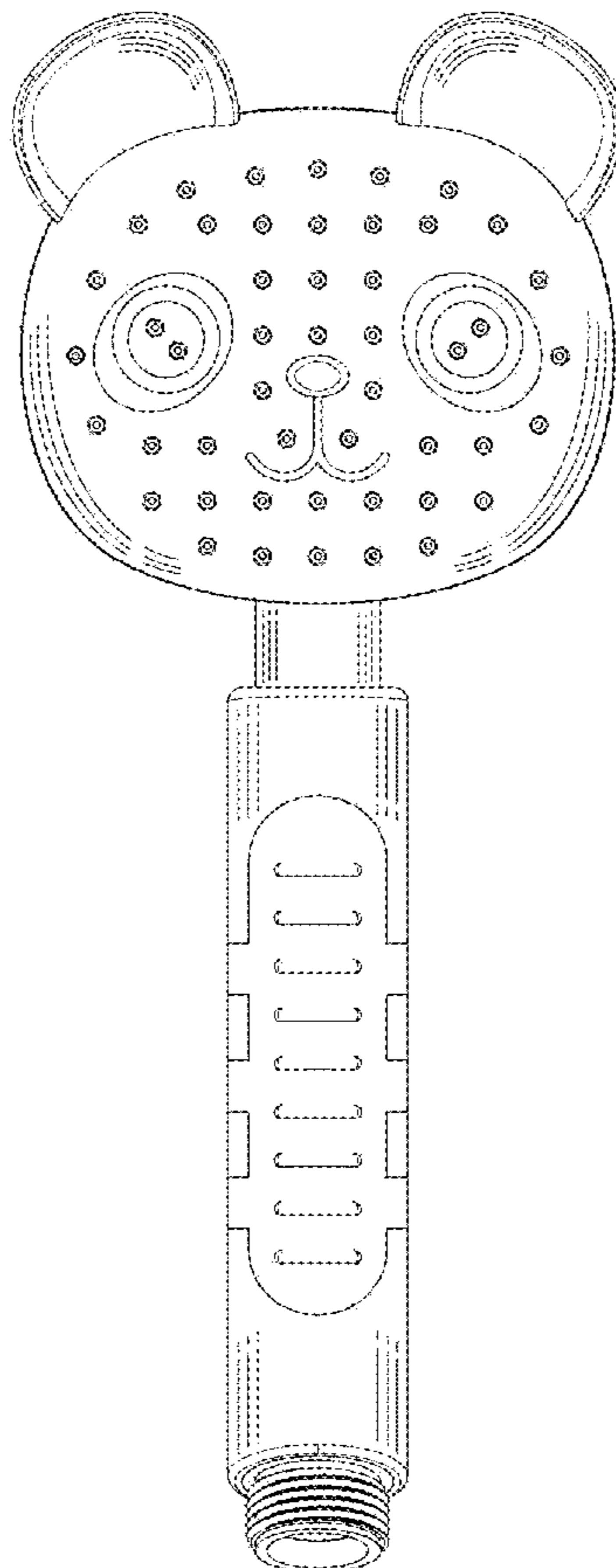
(57) **CLAIM**

The ornamental design for a handheld shower, as shown and described.

**DESCRIPTION**

FIG. 1 is a front view of a handheld shower showing my new design;  
FIG. 2 is a rear elevational view thereof;  
FIG. 3 is a left side elevational view thereof;  
FIG. 4 is a right side elevational view thereof;  
FIG. 5 is a top plan view thereof; and,  
FIG. 6 is a bottom plan view thereof.

**1 Claim, 6 Drawing Sheets**



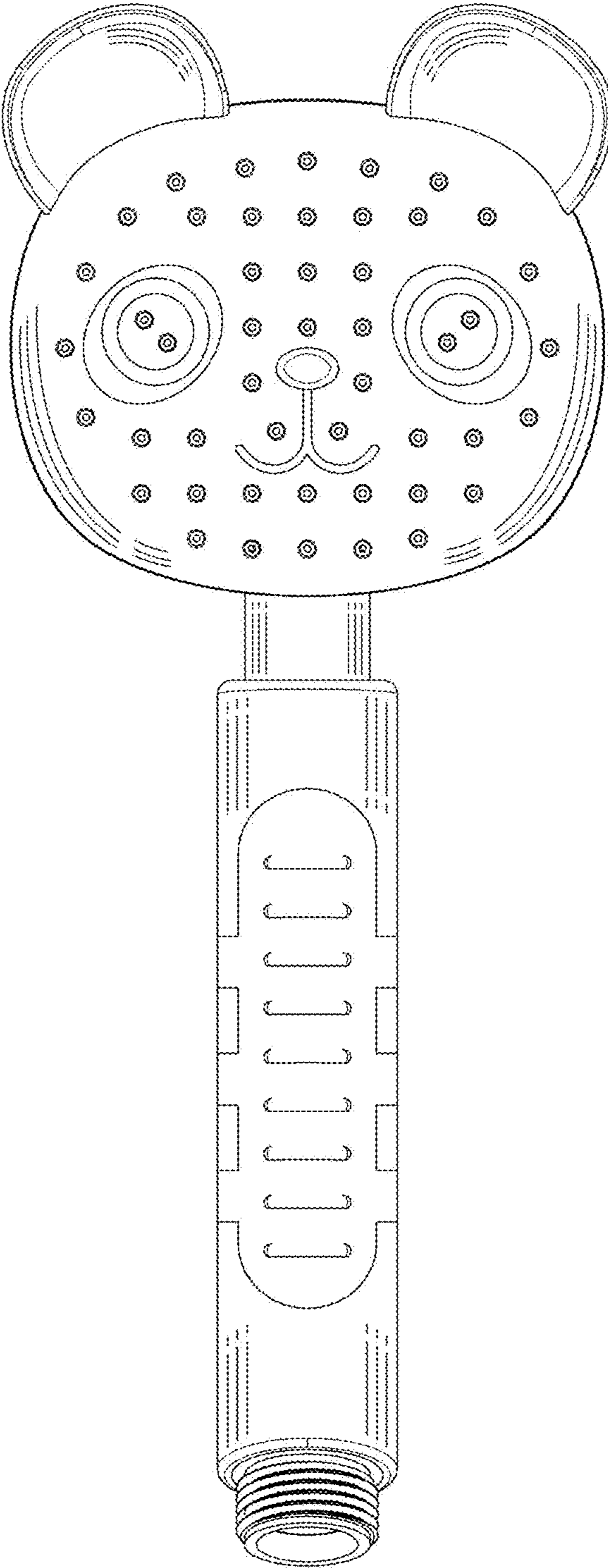


FIG. 1

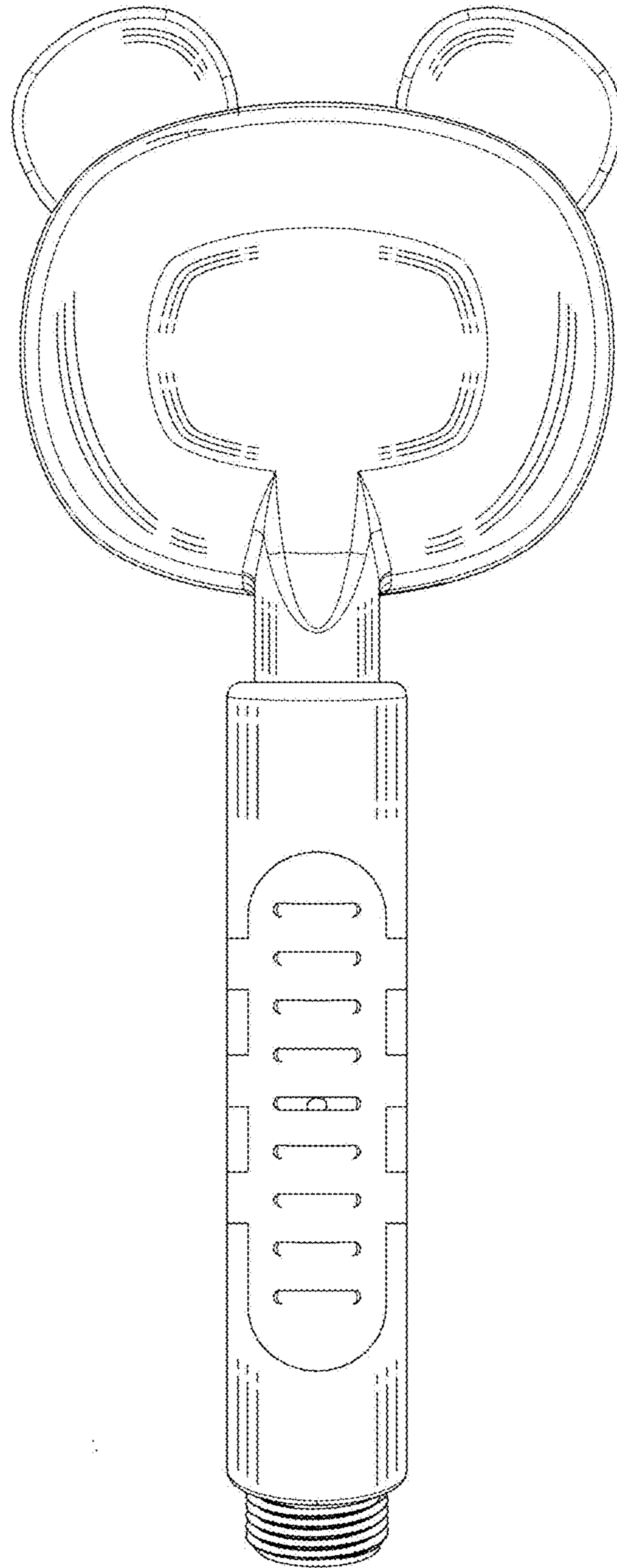


FIG. 2

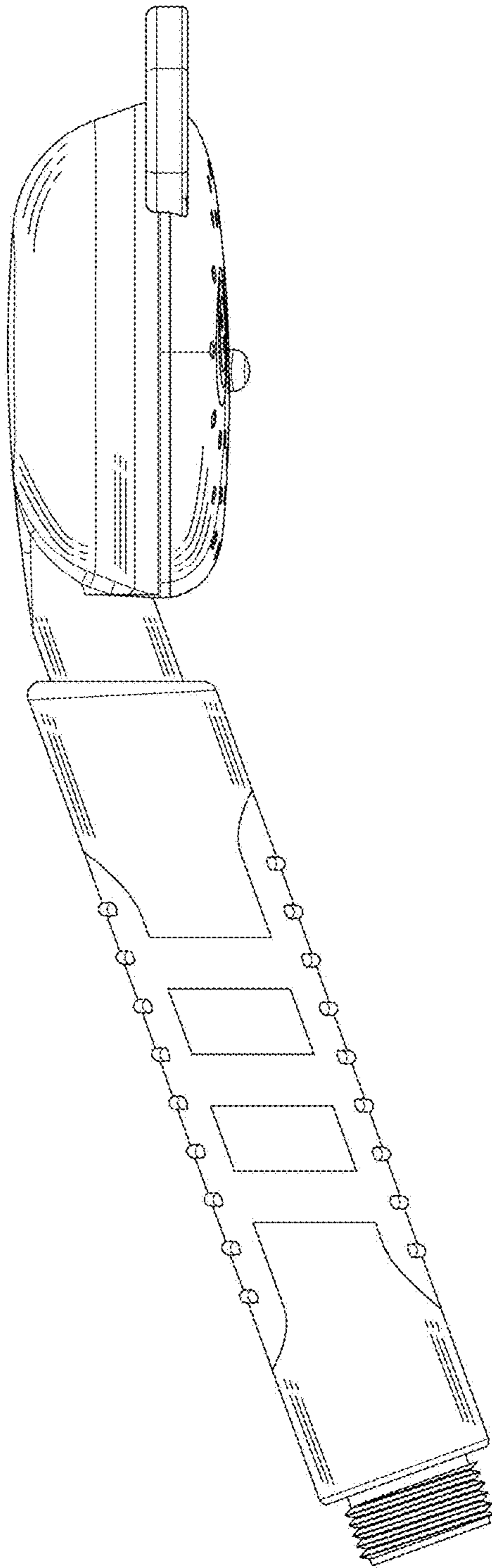


FIG. 3

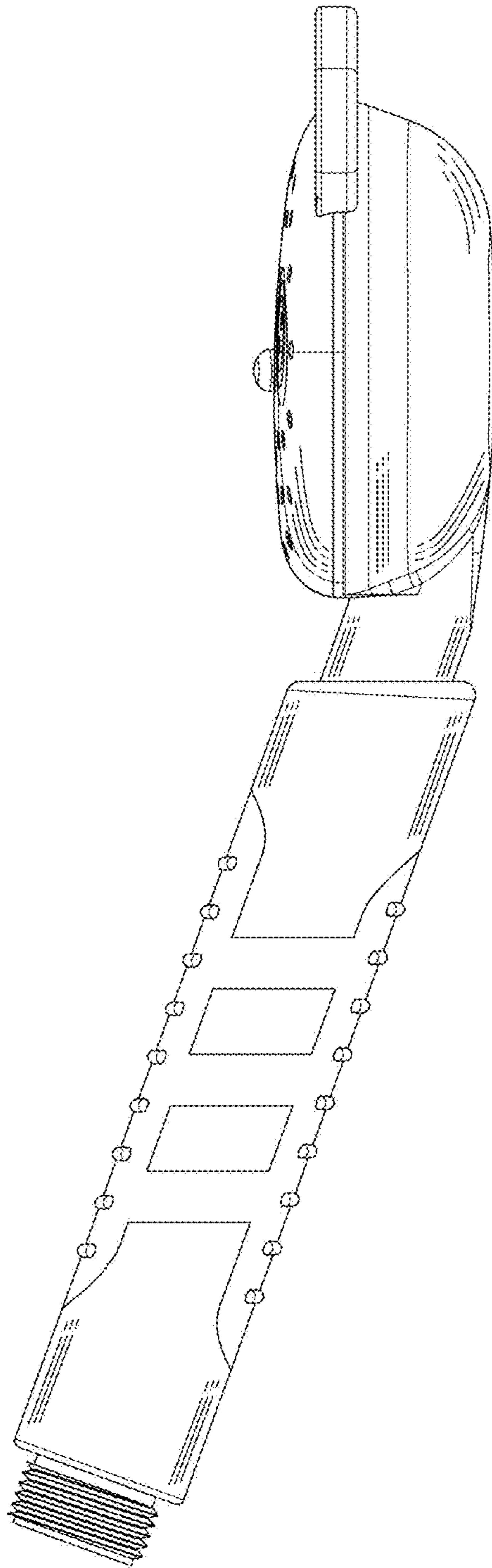


FIG. 4

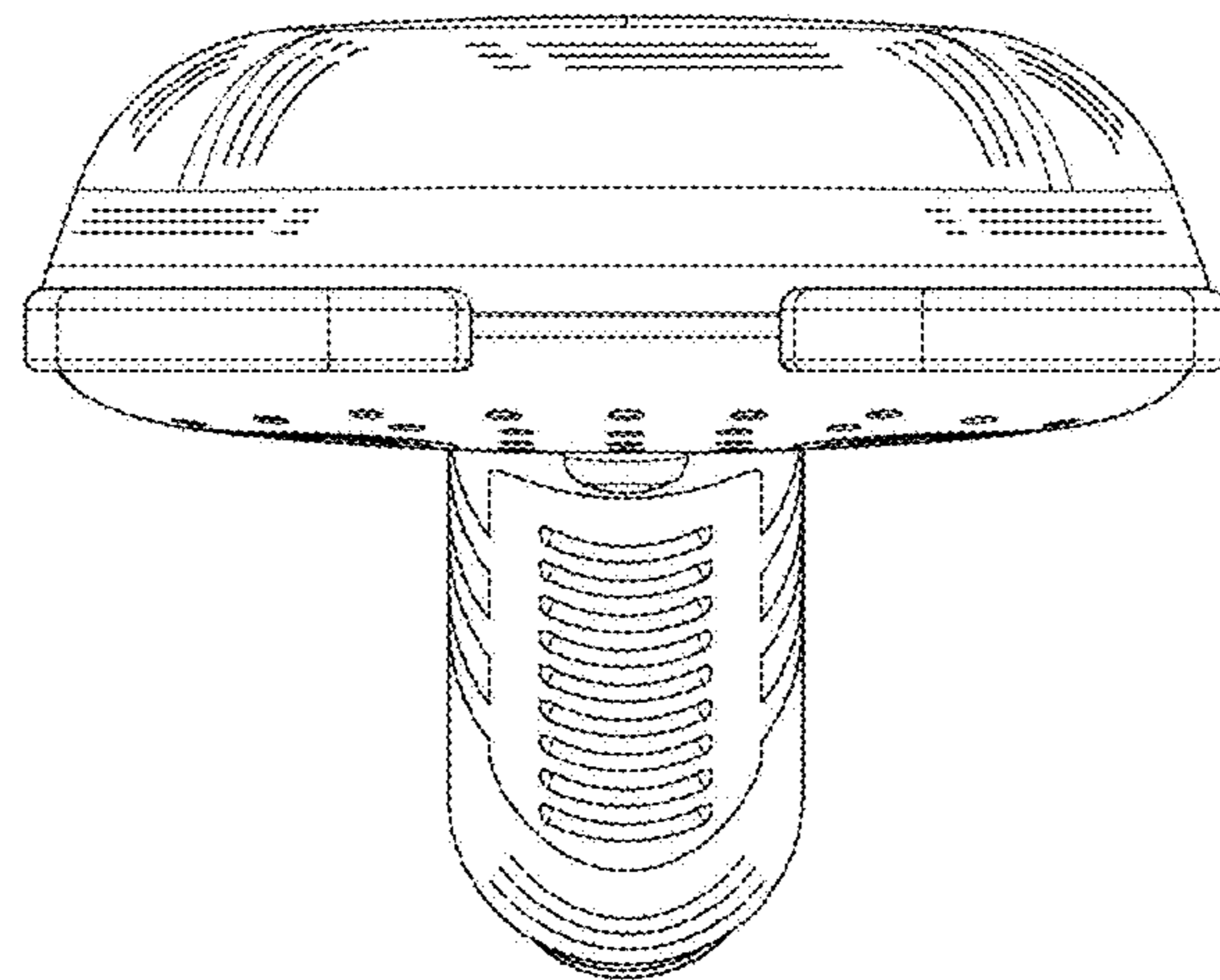


FIG. 5

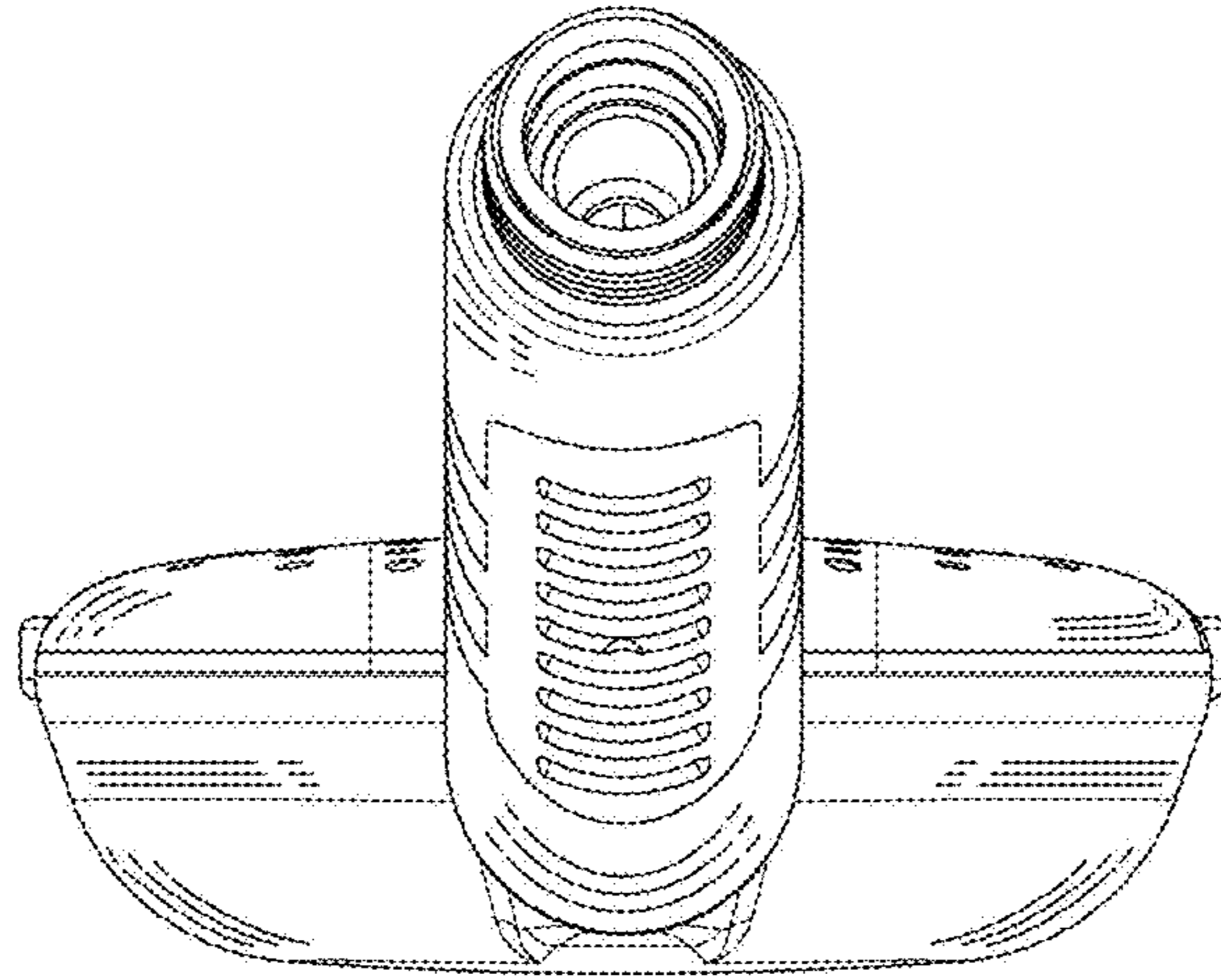


FIG. 6