



US00D920471S

(12) **United States Design Patent** (10) **Patent No.:** **US D920,471 S**  
**Ross** (45) **Date of Patent:** **\*\* May 25, 2021**

(54) **COMPONENT MIXING CHAMBER**

D356,853 S \* 3/1995 Fowler ..... D23/213  
D366,051 S \* 1/1996 Lewis ..... D15/138  
5,922,131 A \* 7/1999 Haas ..... B05B 3/1064  
118/620

(71) Applicant: **Graco Minnesota Inc.**, Minneapolis, MN (US)

(Continued)

(72) Inventor: **Daniel P. Ross**, Vadnais Heights, MN (US)

**OTHER PUBLICATIONS**

(73) Assignee: **Graco Minnesota Inc.**, Minneapolis, MN (US)

Graco, PC42FL Fusion ProConnect Flat 01 Mix Chamber with 0.042 in (1.1 mm) Orifice Size, (site visited Sep. 22, 2020), Graco.com, URL:<<https://www.graco.com/us/en/contractor/product/pc42fl-fusion-pc.html>> (Year: 2020).\*

(\*\*) Term: **15 Years**

(Continued)

(21) Appl. No.: **29/698,835**

(22) Filed: **Jul. 19, 2019**

*Primary Examiner* — Sheryl Lane

*Assistant Examiner* — Mark T. Philipps

(51) **LOC (13) Cl.** ..... **23-01**

(74) *Attorney, Agent, or Firm* — Kinney & Lange, P. A.

(52) **U.S. Cl.**

USPC ..... **D23/213**

(58) **Field of Classification Search**

USPC ..... D23/207, 213–215, 223–226, 229–230, D23/235, 259–260; D15/122, 145; D13/133

CPC ..... A61H 9/0021; A61H 33/00; B05B 9/01; B05B 1/00; B05B 1/02; B05B 1/08; B05B 1/14; B05B 1/18; B05B 1/26; B05B 1/185; B05B 7/0081; B05C 17/00553; B05C 17/00566

See application file for complete search history.

(57) **CLAIM**

The ornamental design for a component mixing chamber, as shown and described.

**DESCRIPTION**

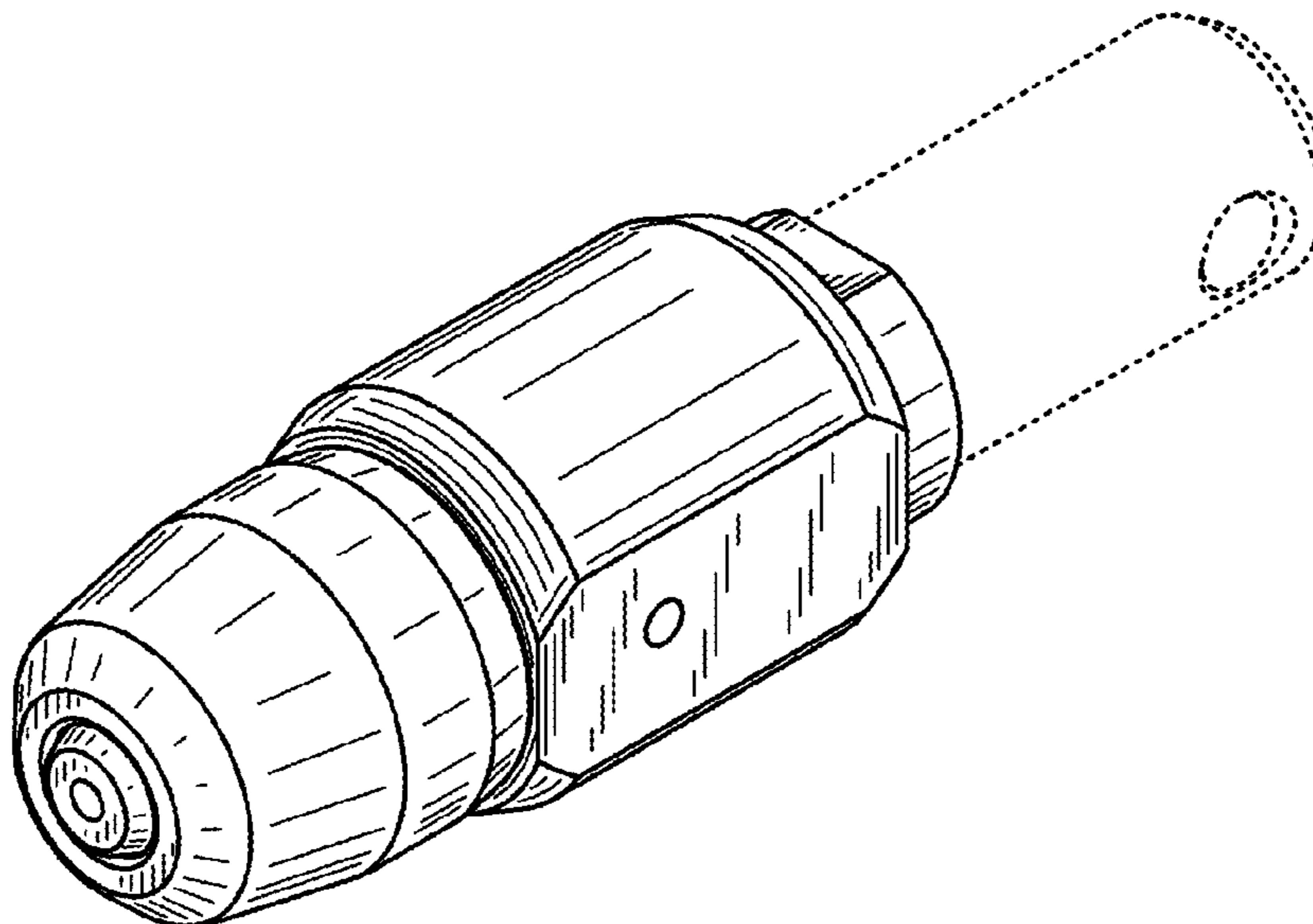
FIG. 1 is a perspective view a component mixing chamber; FIG. 2 is a front elevational view of the component mixing chamber; FIG. 3 is a rear elevational view of the component mixing chamber; FIG. 4 is a left side view of the component mixing chamber; FIG. 5 is a right side view of the component mixing chamber; FIG. 6 is a top view of the component mixing chamber; and, FIG. 7 is a bottom view of the component mixing chamber. The broken lines in the Figures show portions of a component mixing chamber and form no part of the claimed design.

(56) **References Cited**

**U.S. PATENT DOCUMENTS**

3,901,408 A 8/1975 Boden et al.  
4,074,857 A \* 2/1978 Calder ..... B05B 1/28  
239/119  
4,392,617 A \* 7/1983 Bakos ..... B05B 7/0081  
239/290  
4,715,537 A \* 12/1987 Calder ..... B05B 15/16  
239/119  
5,004,351 A 4/1991 Salaba et al.  
5,067,886 A 11/1991 Salaba et al.

**1 Claim, 2 Drawing Sheets**



(56)

References Cited

U.S. PATENT DOCUMENTS

6,158,672 A \* 12/2000 Millan ..... B05B 7/0081  
 239/290  
 D436,648 S \* 1/2001 Maddox ..... D23/213  
 6,412,516 B1 \* 7/2002 Goldsmith ..... B05B 1/3026  
 137/454.6  
 D470,818 S \* 2/2003 Cheng ..... D13/133  
 D471,563 S \* 3/2003 Selic ..... D15/7  
 D481,102 S \* 10/2003 Marshik ..... D23/213  
 6,685,106 B1 \* 2/2004 van der Steur ..... B05B 7/0081  
 239/291  
 6,758,413 B1 \* 7/2004 Chen ..... B05B 1/12  
 239/390  
 D558,673 S \* 1/2008 Easley ..... D13/133  
 D565,697 S \* 4/2008 Thiel ..... D23/213  
 D567,900 S \* 4/2008 Patterson ..... D23/213  
 D617,870 S 6/2010 Wright  
 D636,844 S \* 4/2011 Herre ..... D23/213  
 D639,905 S 6/2011 Uchida  
 D639,906 S \* 6/2011 Wright ..... D23/213  
 D742,927 S \* 11/2015 Thompson ..... D15/7  
 D745,635 S \* 12/2015 Schwarz ..... D23/213  
 D752,648 S \* 3/2016 Kopel ..... D15/7  
 D776,787 S 1/2017 Zhang  
 D812,714 S 3/2018 Hughes et al.  
 D822,156 S 7/2018 Krebs  
 D872,828 S \* 1/2020 Bloom ..... D23/213  
 D872,829 S \* 1/2020 Bloom ..... D23/213  
 D875,883 S 2/2020 Fujii et al.  
 D877,777 S \* 3/2020 Pickard ..... D15/7

D888,197 S \* 6/2020 McDonnell ..... D23/213  
 D888,890 S \* 6/2020 Hamlin ..... D23/213  
 2007/0034713 A1 \* 2/2007 Wang ..... B05B 1/3026  
 239/263  
 2008/0260889 A1 \* 10/2008 Jenko ..... B29C 45/278  
 425/549  
 2013/0140225 A1 \* 6/2013 Decock ..... B65D 47/2087  
 210/321.6  
 2015/0202637 A1 \* 7/2015 Nikles ..... F21V 33/004  
 239/71  
 2015/0361968 A1 12/2015 Schroeder et al.  
 2016/0001307 A1 \* 1/2016 Schurle ..... E03C 1/0408  
 239/468  
 2016/0303595 A1 \* 10/2016 Duncan ..... G09F 3/02  
 2018/0021611 A1 \* 1/2018 Unrath ..... A62C 31/03  
 239/590  
 2020/0129998 A1 4/2020 Ross et al.

OTHER PUBLICATIONS

First Examination Report for IN Application No. 326138-001, dated Feb. 19, 2020, pp. 2.  
 First Examination Report for IN Application No. 326139-001, dated Feb. 20, 2020, pp. 2.  
 First Examination Report for IN Application No. 326135-001, dated Feb. 21, 2020, pp. 2.  
 First Examination Report for IN Application No. 326134-001, dated Feb. 27, 2020, pp. 2.  
<https://www.amazon.com/Graco-Fusion-Mixing-Chamber-AR5252/dp/B011P26D2U> (Year: 2015).

\* cited by examiner

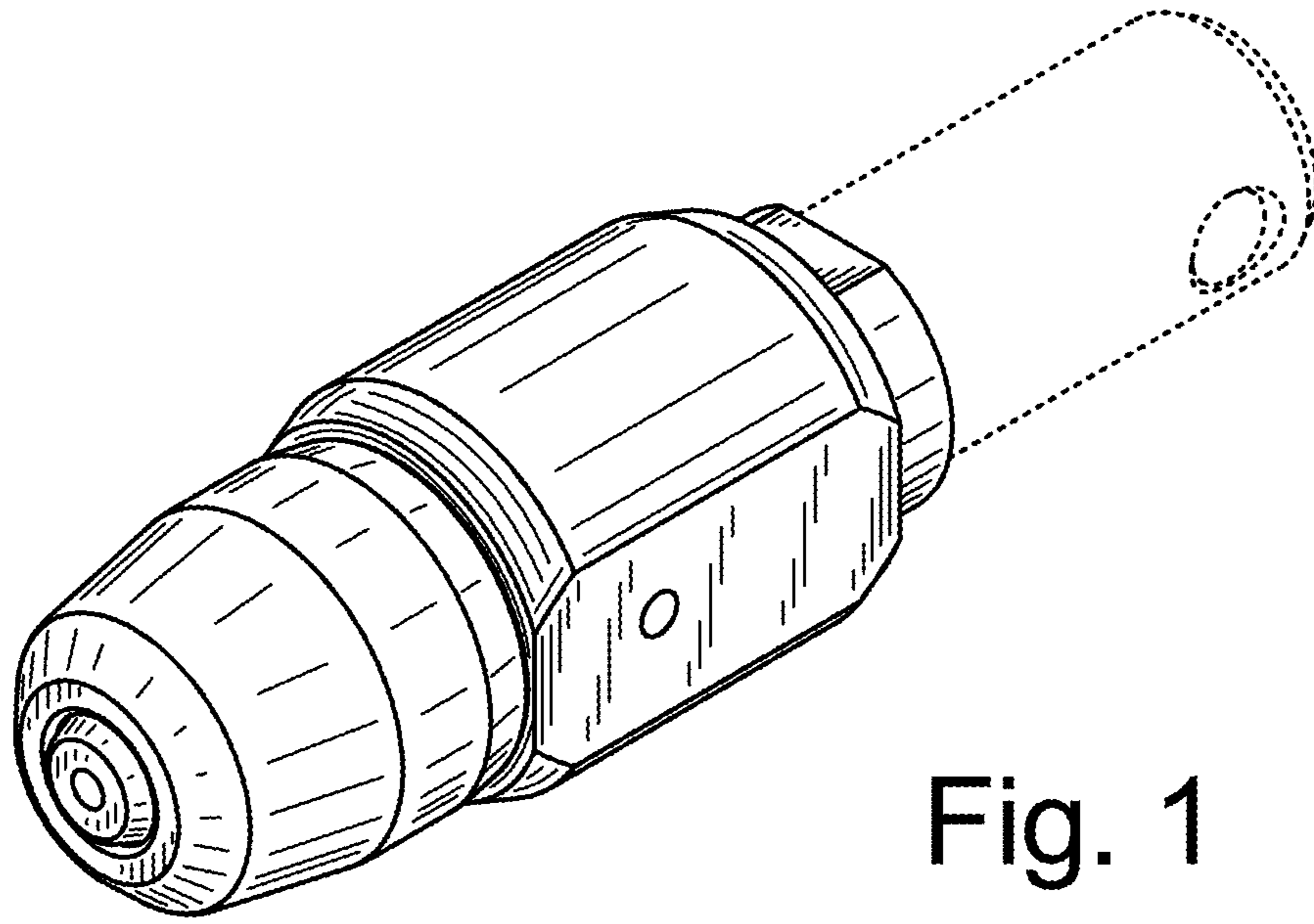


Fig. 1

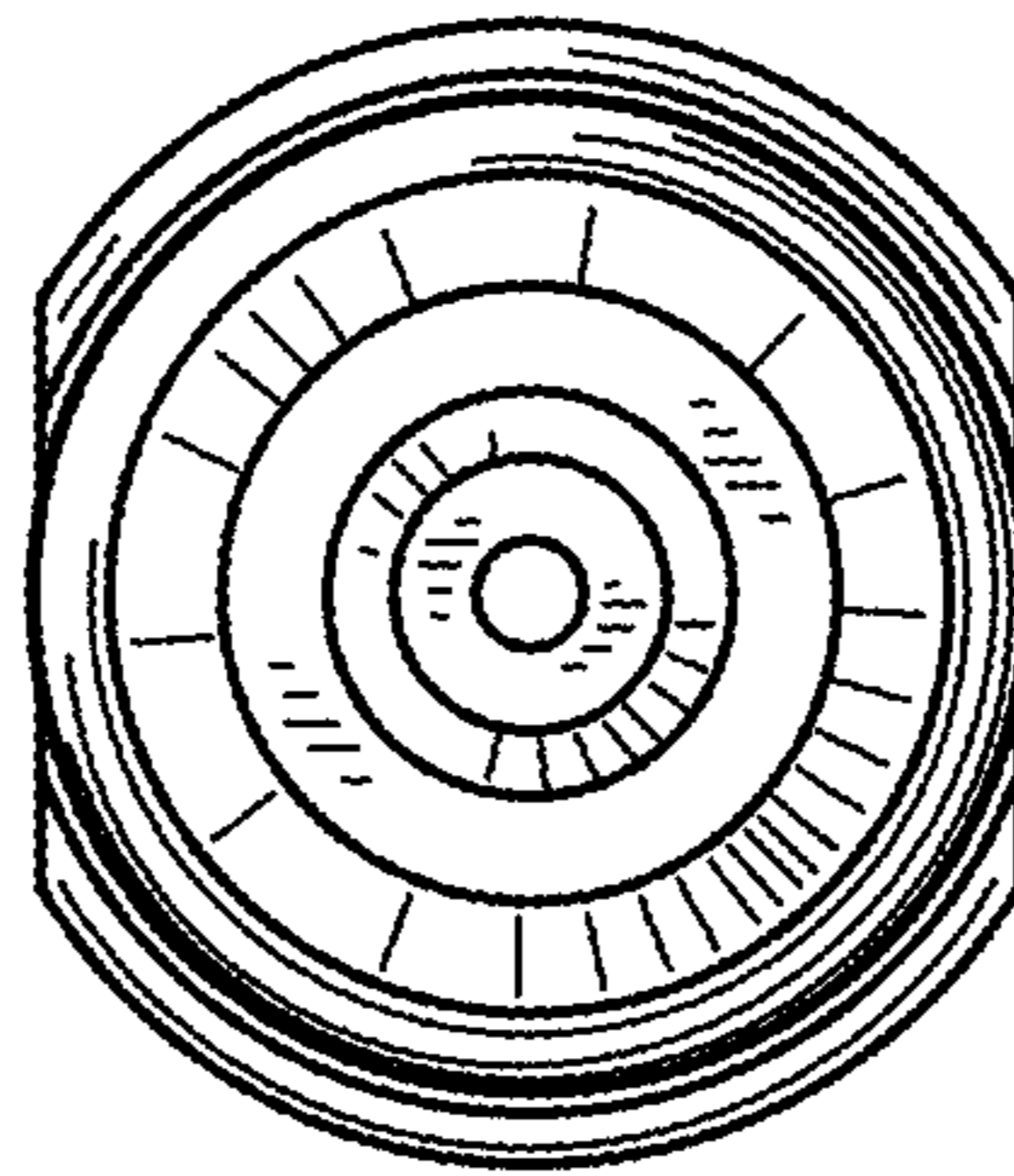


Fig. 2

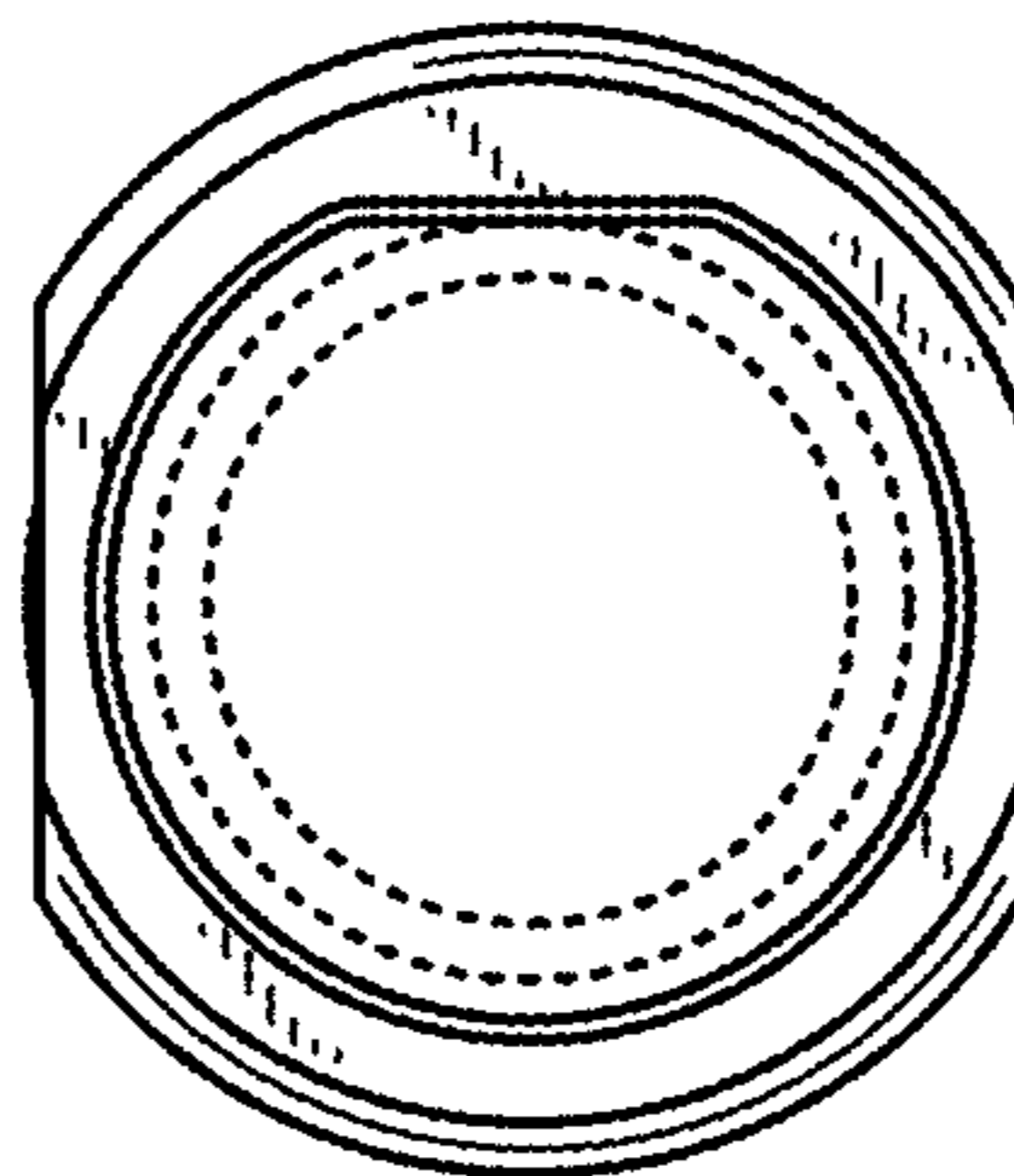


Fig. 3

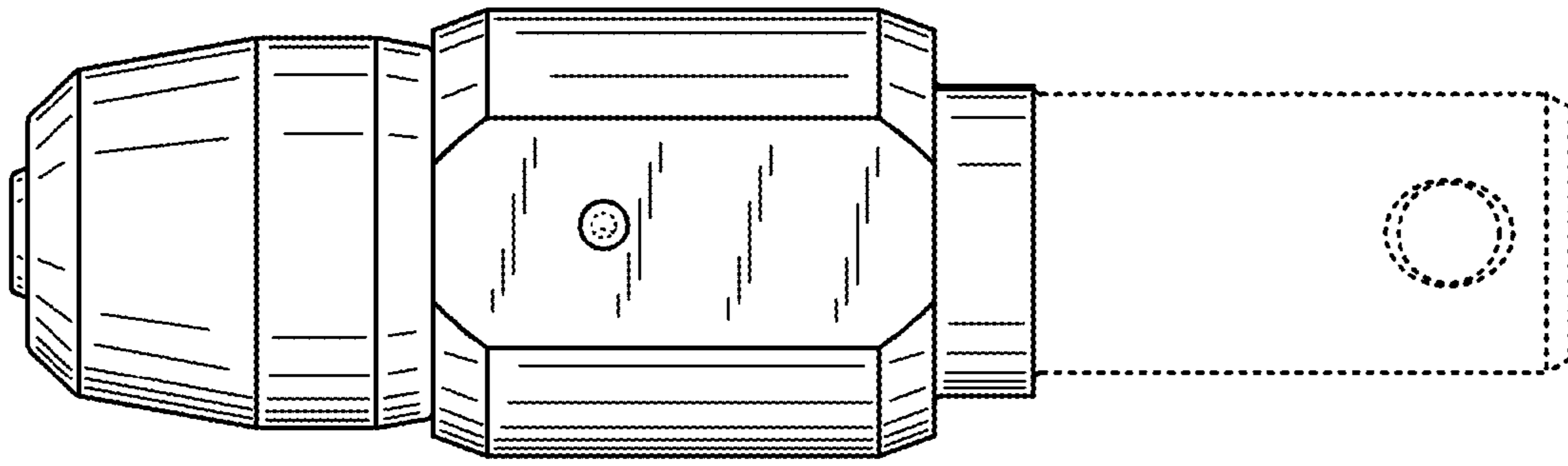


Fig. 4

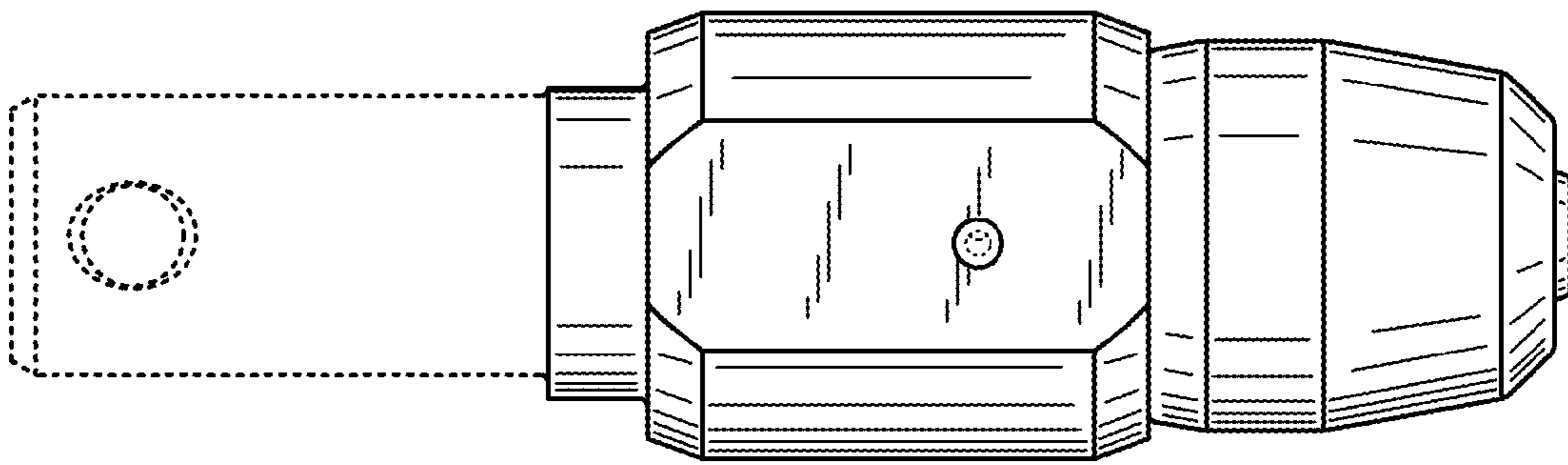


Fig. 5

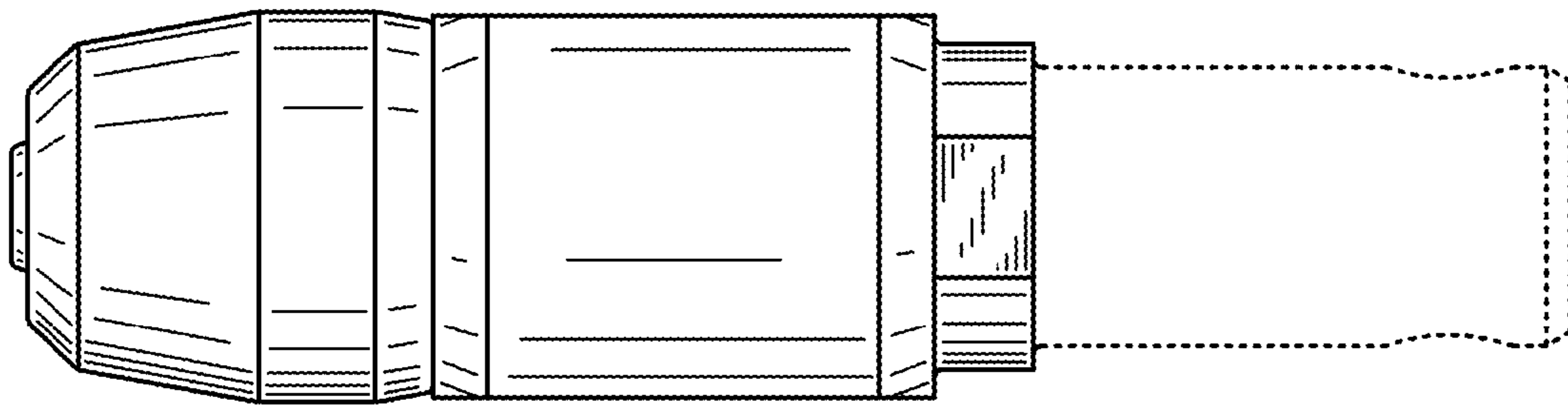


Fig. 6

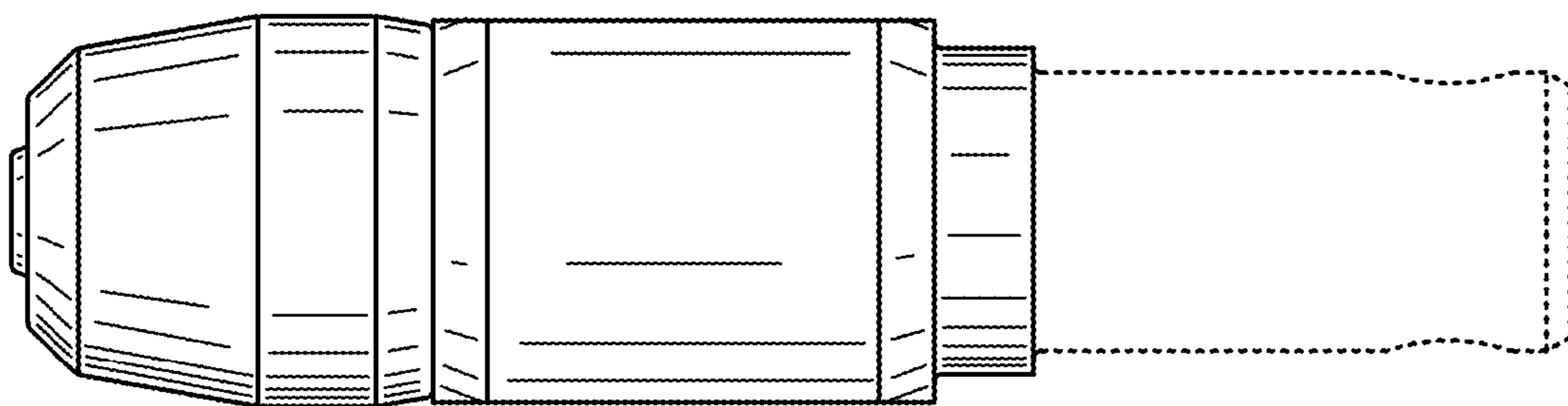


Fig. 7