



US00D920468S

(12) **United States Design Patent** (10) **Patent No.:** **US D920,468 S**
Aguiar et al. (45) **Date of Patent:** **** May 25, 2021**

(54) **HANDLE FOR A CYLINDER**

- (71) Applicant: **AMTROL Licensing Inc.**, West Warwick, RI (US)
- (72) Inventors: **Carlos Aguiar**, Oporto (PT); **Filipe Pedrosa**, Matosinhos (PT)
- (73) Assignee: **AMTROL LICENSING INC.**, West Warwick, RI (US)

(**) Term: **15 Years**

(21) Appl. No.: **29/647,880**

(22) Filed: **May 16, 2018**

(51) **LOC (13) Cl.** **23-01**

(52) **U.S. Cl.**
USPC **D23/206**

(58) **Field of Classification Search**
USPC D23/206, 207, 233
CPC F16K 35/10; F17C 13/06
See application file for complete search history.

(56) **References Cited**

U.S. PATENT DOCUMENTS

3,776,412	A *	12/1973	Mink	F17C 13/06
					220/726
5,429,267	A *	7/1995	San	F17C 1/00
					220/501
D460,519	S *	7/2002	Chohfi	D23/206
D576,702	S *	9/2008	Aguiar	D23/206
10,753,541	B2 *	8/2020	Aguiar	F17C 13/04
D912,199	S *	3/2021	Aguiar	D23/205
2011/0147390	A1 *	6/2011	Silva Vieira	F17C 13/084
					220/590
2012/0248128	A1 *	10/2012	Chohfi	B65D 25/22
					220/769
2016/0215928	A1 *	7/2016	Chohfi	F17C 1/00
2016/0290565	A1 *	10/2016	Oliveira	B65D 25/2802

OTHER PUBLICATIONS

Carry Handle for Catalina CO2 Cylinder, Jun. 14, 2014, Amazon.com, site visited Mar. 11, 2021 URL <https://www.amazon.com/Cylinders-Carry-Handle-Catalina-Sturdy/dp/B00Q9WXU9G> (Year: 2014).*

20 lb Propane Tank with ComfortCarry Handle, May 9, 2020, U-HAUL, site visited Mar. 15, 2021 URL <https://www.uhaul.com/MovingSupplies/Propane-Tanks-Heaters/20-lb-Propane-Tank-with-ComfortCarry-Handle/?id=21206#reviewsPanel> (Year: 2020).*

* cited by examiner

Primary Examiner — Jack Reickel

Assistant Examiner — Keith J Wilson

(74) *Attorney, Agent, or Firm* — Tucker Ellis, LLP

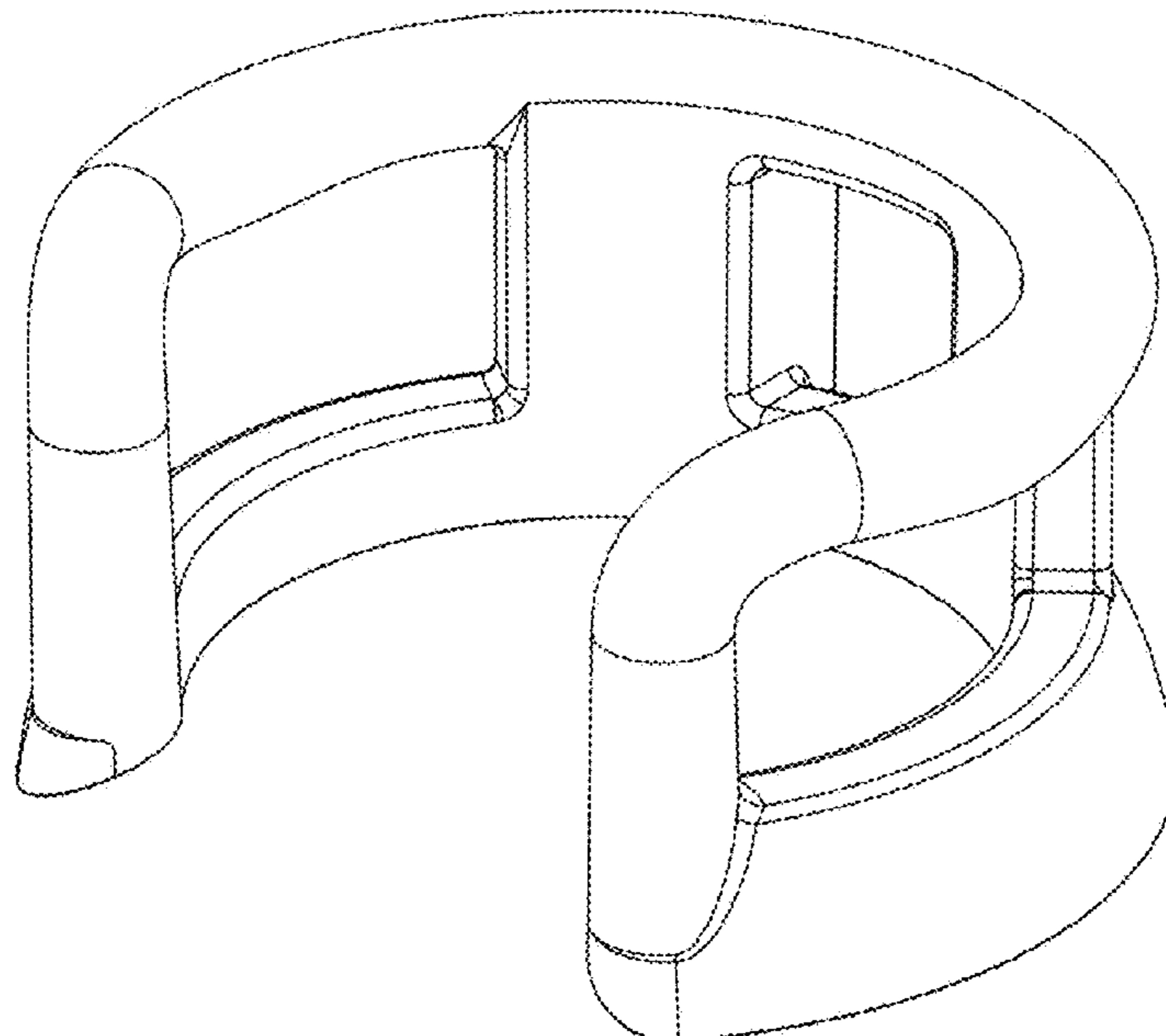
(57) **CLAIM**

The ornamental design for a handle for a cylinder, as shown and described.

DESCRIPTION

FIG. 1 is a top front perspective view of a handle for a cylinder showing our new design;
 FIG. 2 is a top rear perspective view thereof;
 FIG. 3 is a bottom front perspective view thereof;
 FIG. 4 is another bottom front perspective view thereof;
 FIG. 5 is a front view thereof;
 FIG. 6 is a rear view thereof;
 FIG. 7 is a top view thereof;
 FIG. 8 is a bottom view thereof;
 FIG. 9 is a left side view thereof; and,
 FIG. 10 is a right side view thereof.
 The broken line showing is included for the purpose of illustrating portions of the article and forms no part of the claimed design.

1 Claim, 10 Drawing Sheets



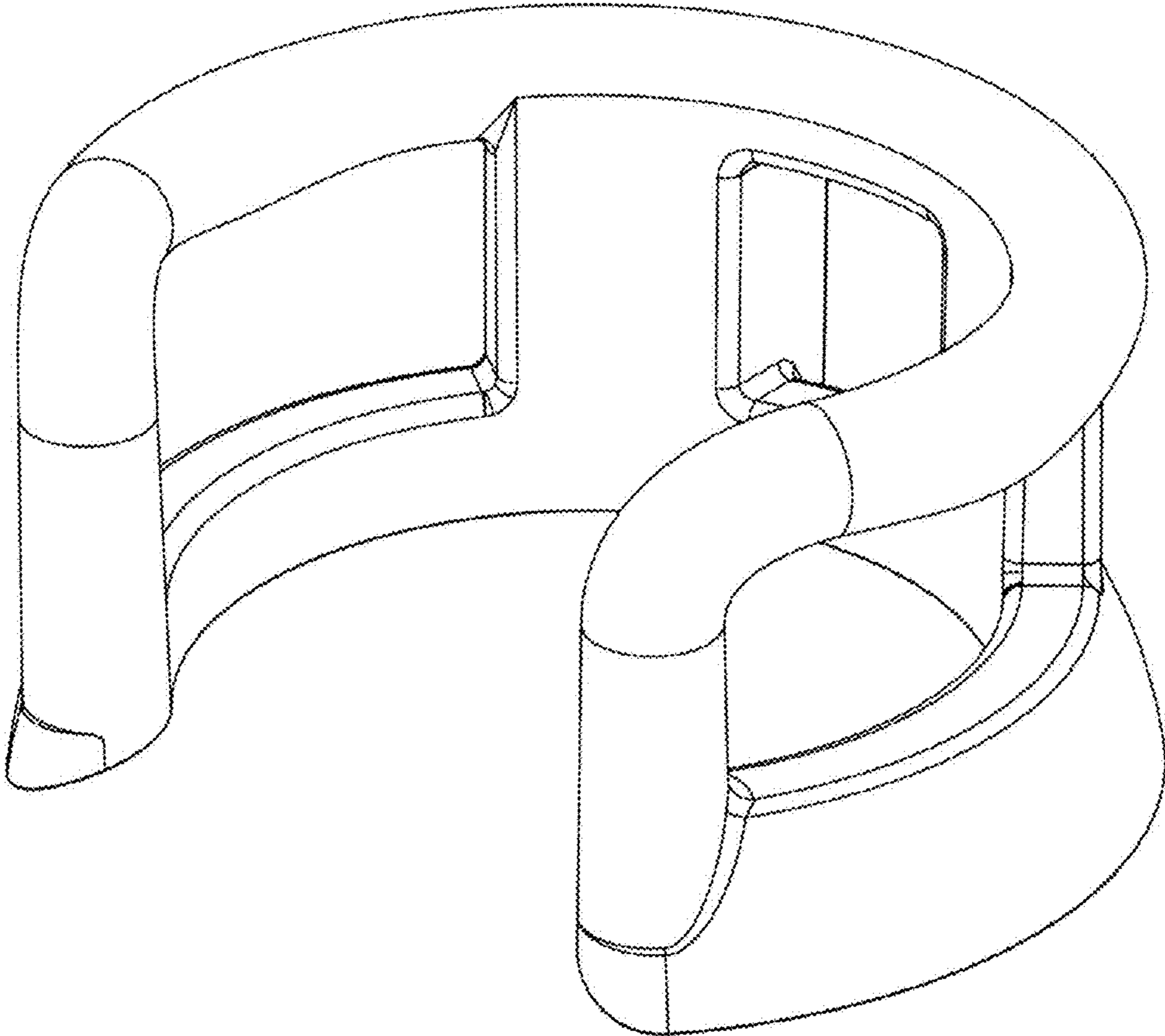


FIG. 1

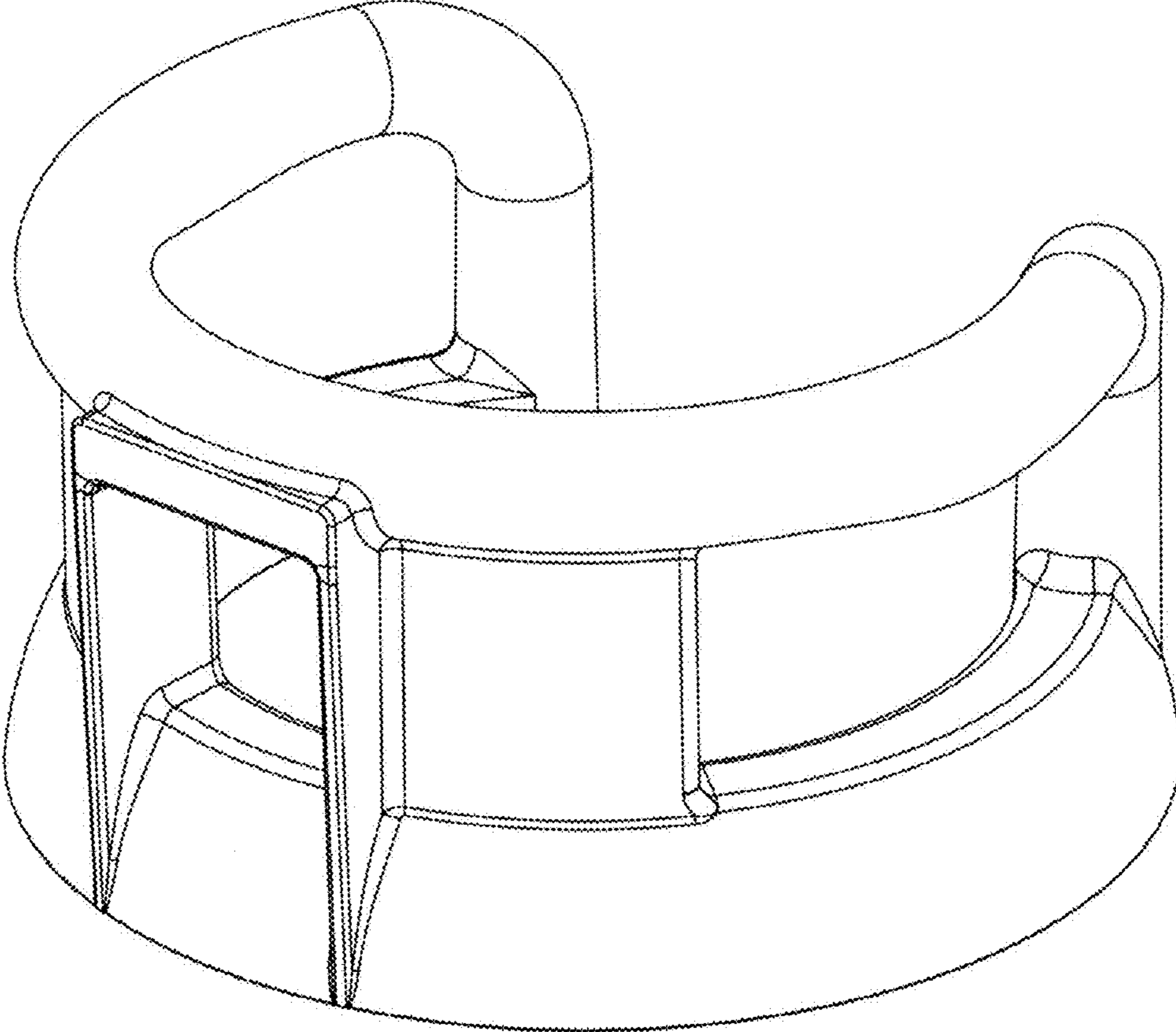


FIG. 2

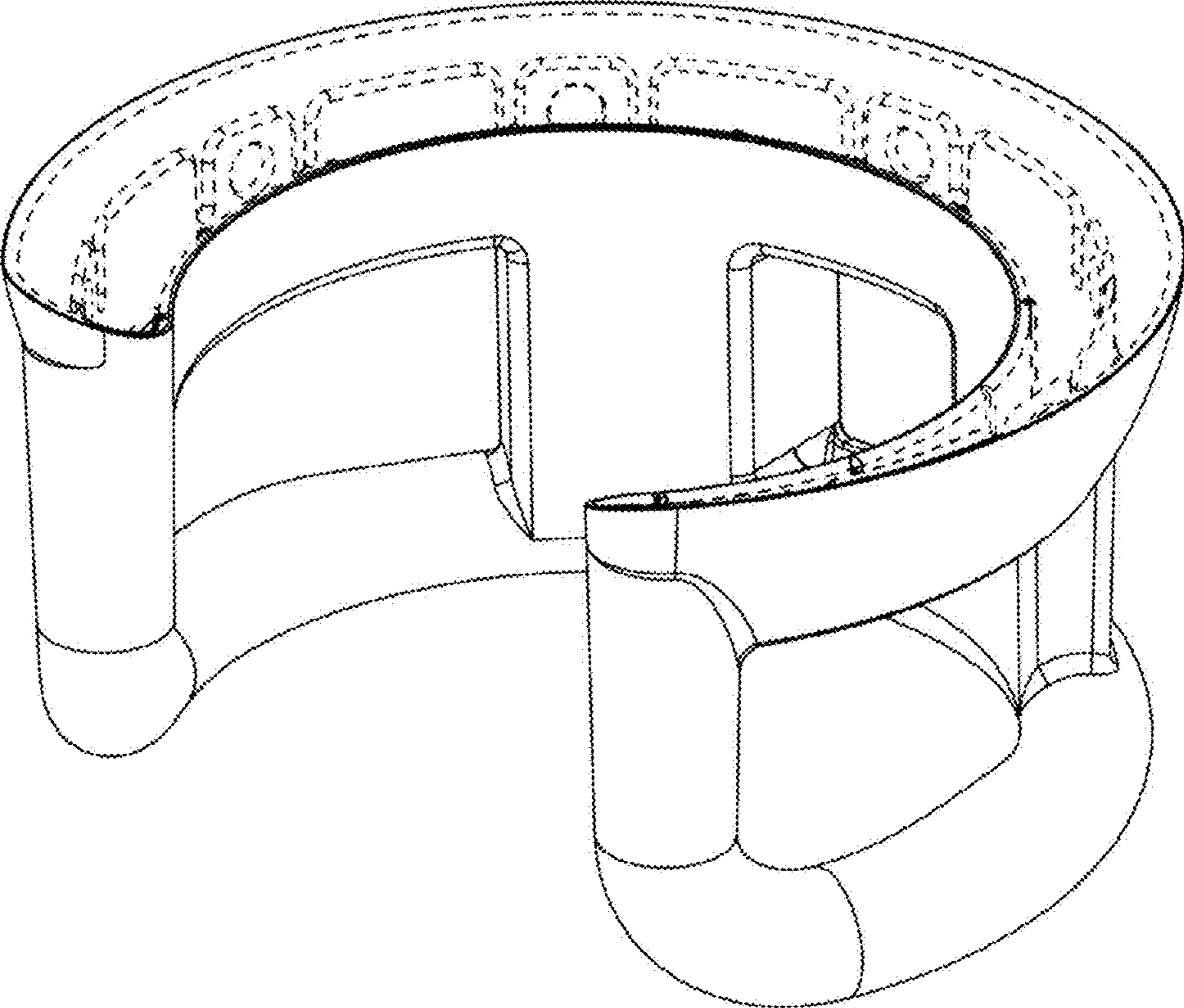


FIG. 3

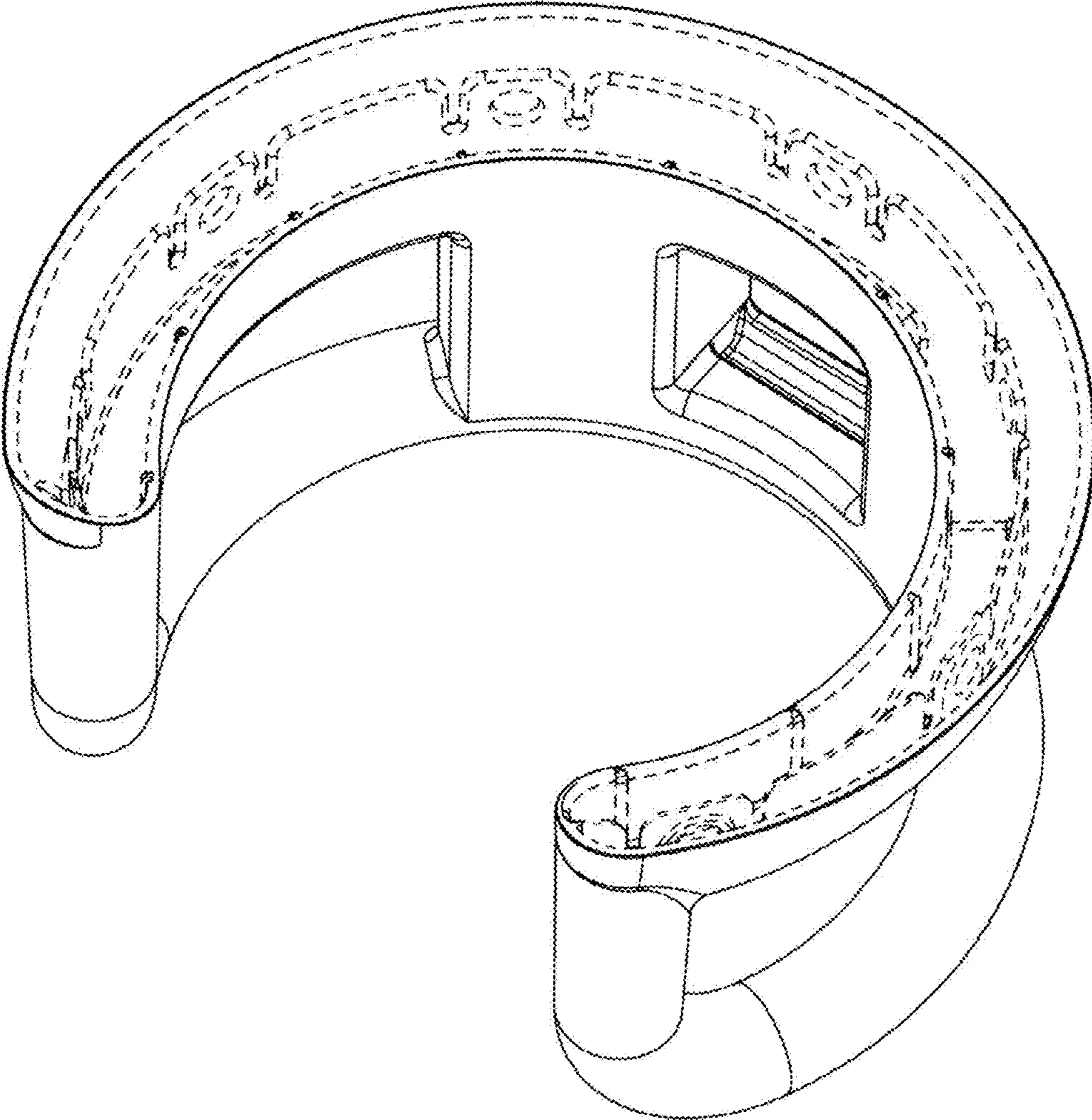


FIG. 4

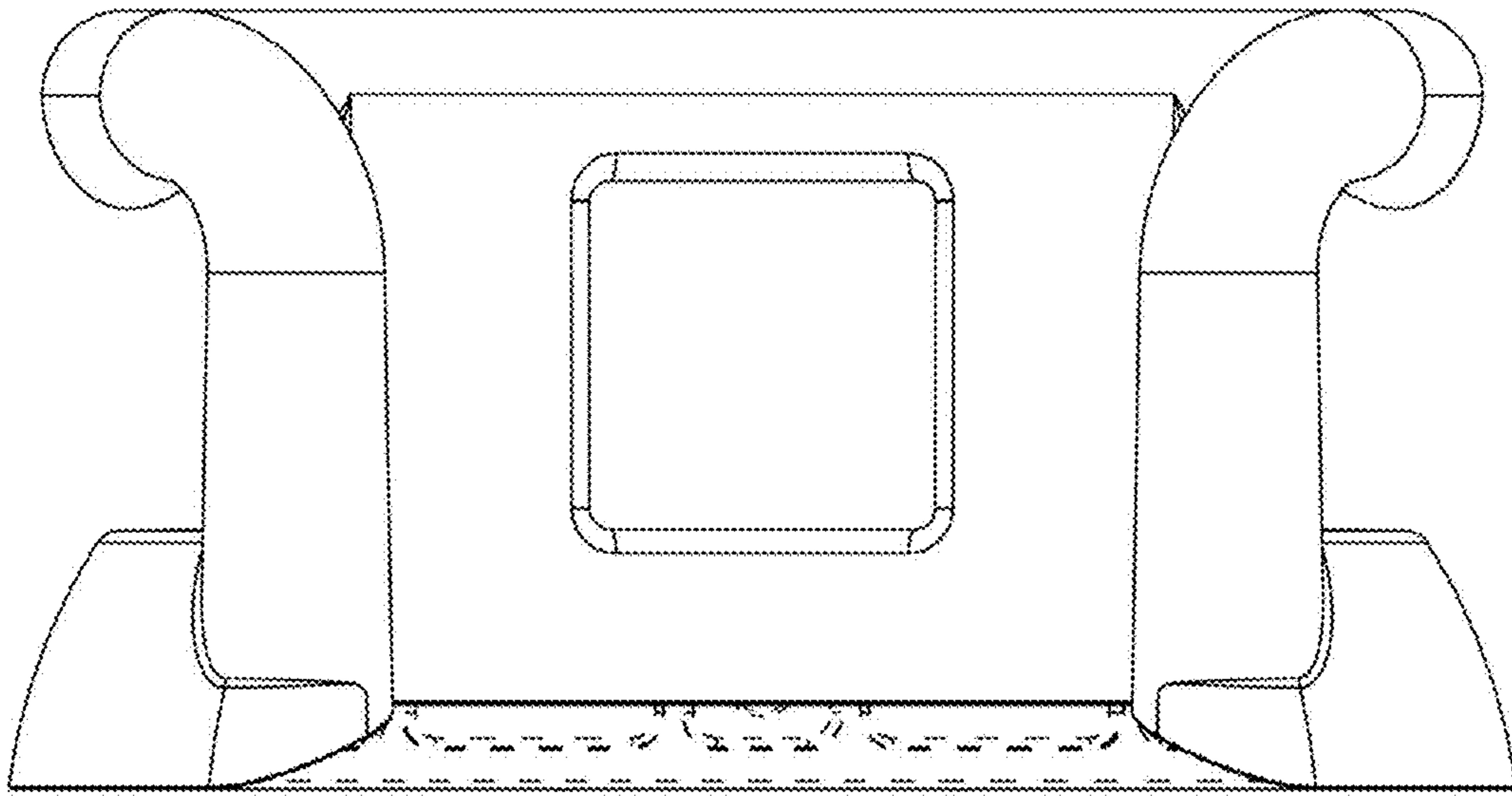


FIG. 5

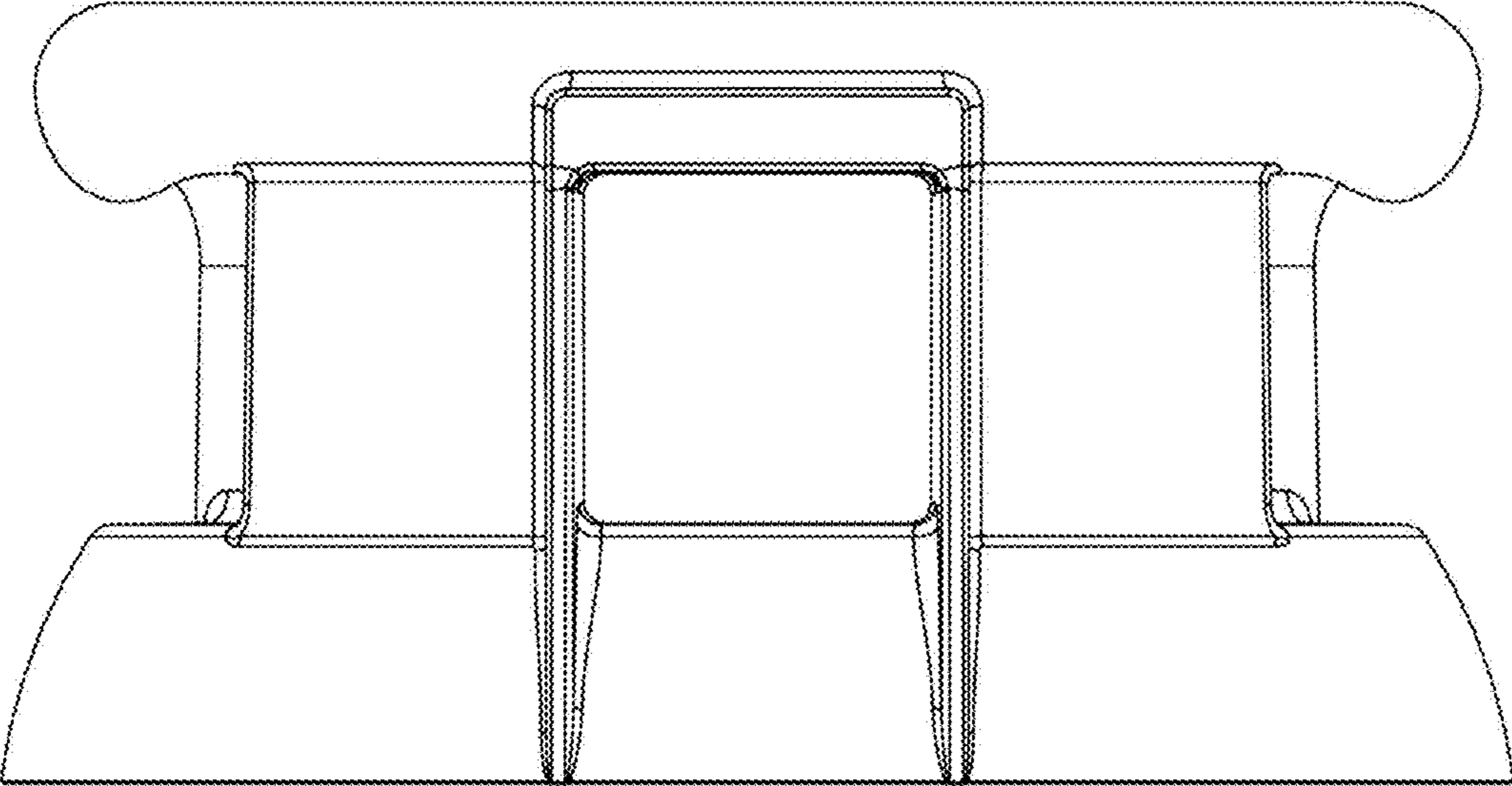


FIG. 6

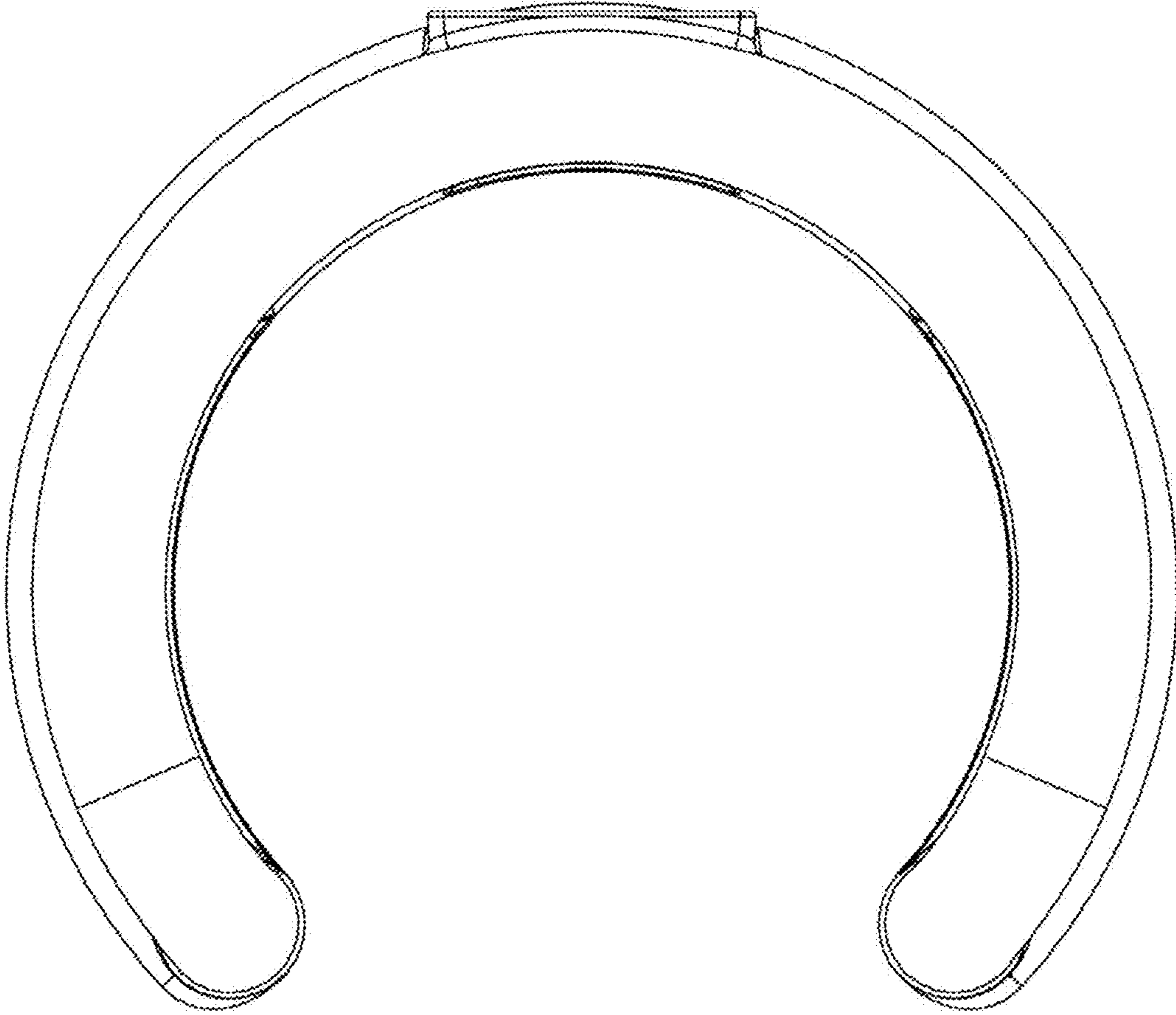


FIG. 7

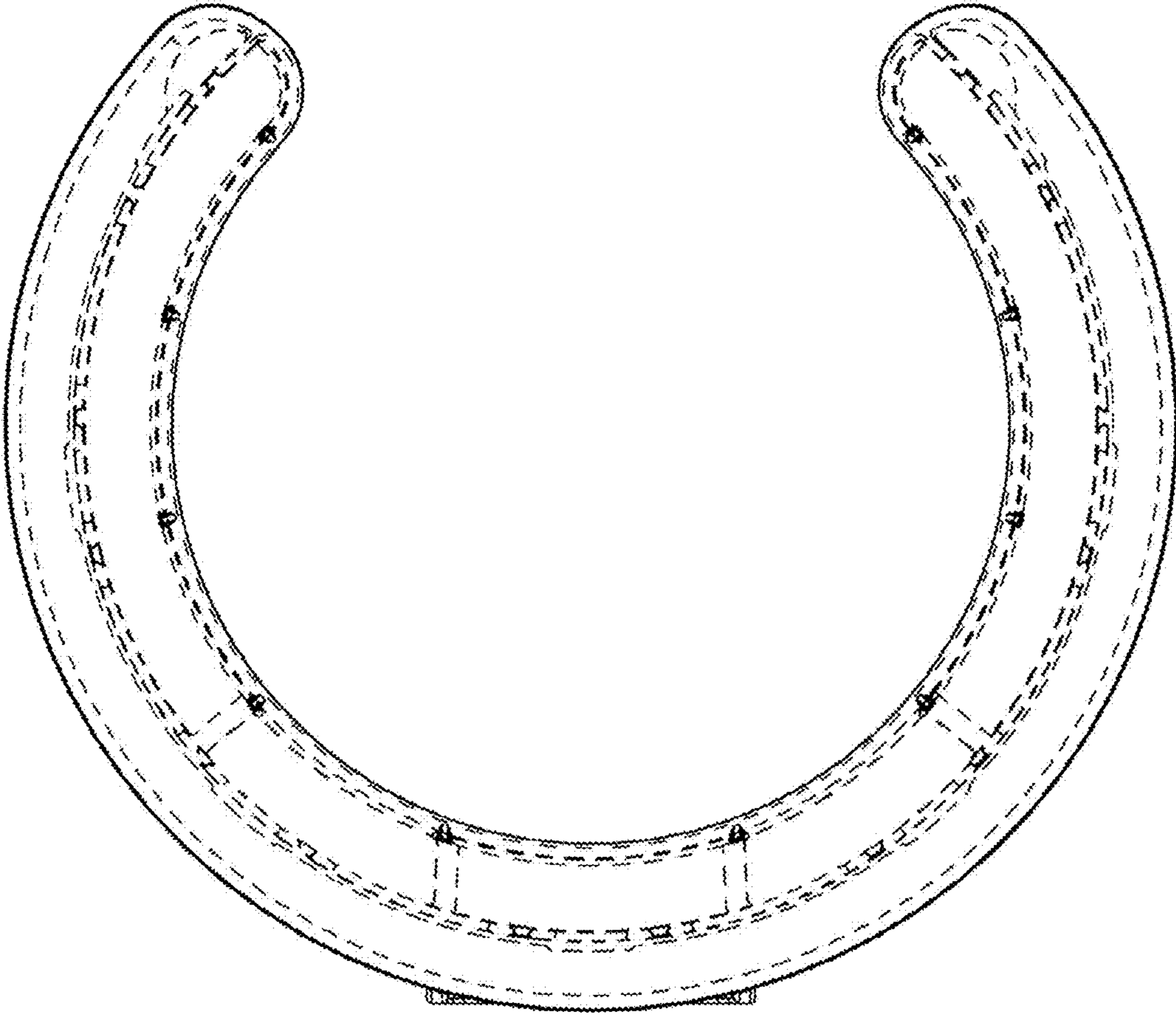


FIG. 8

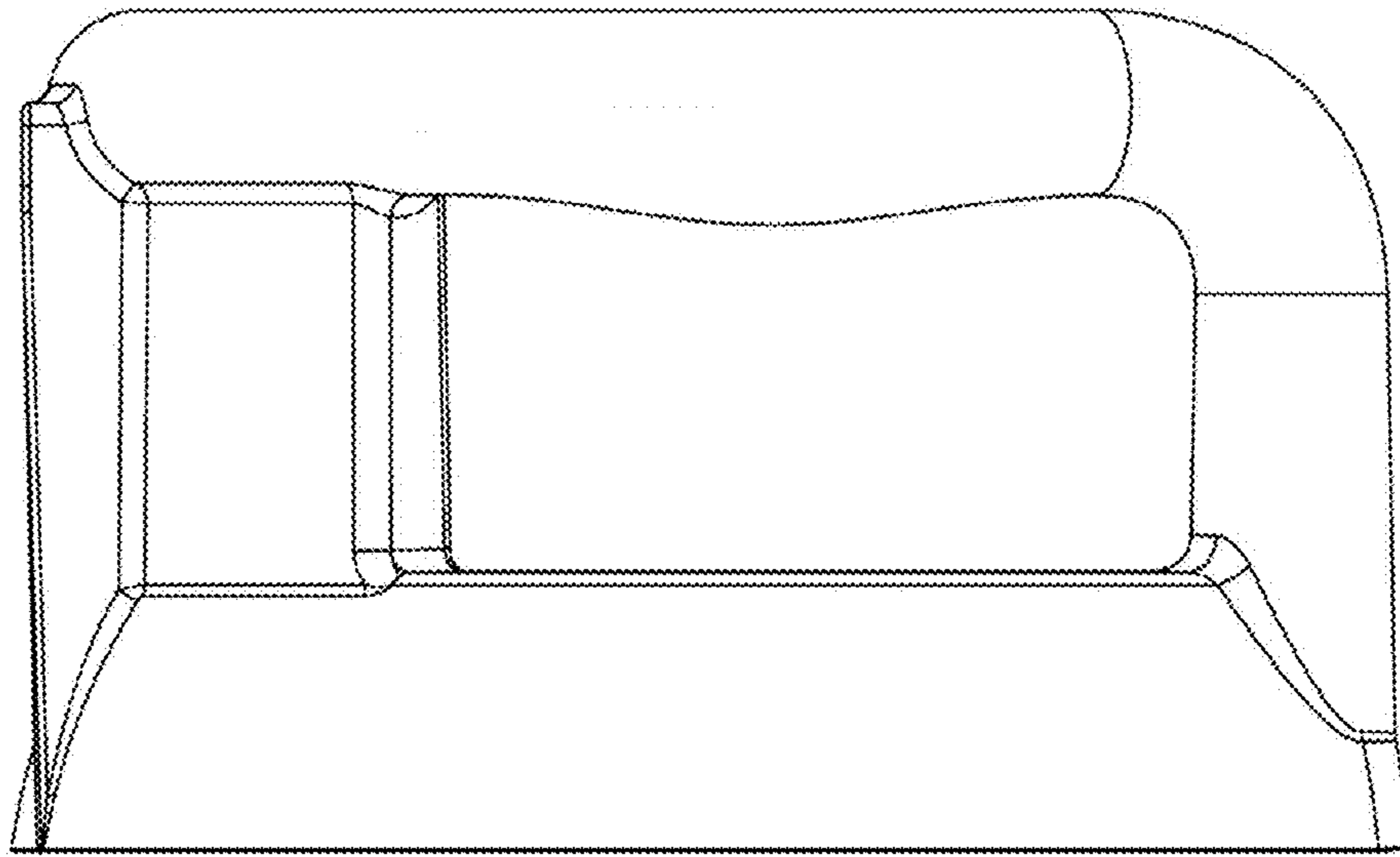


FIG. 9

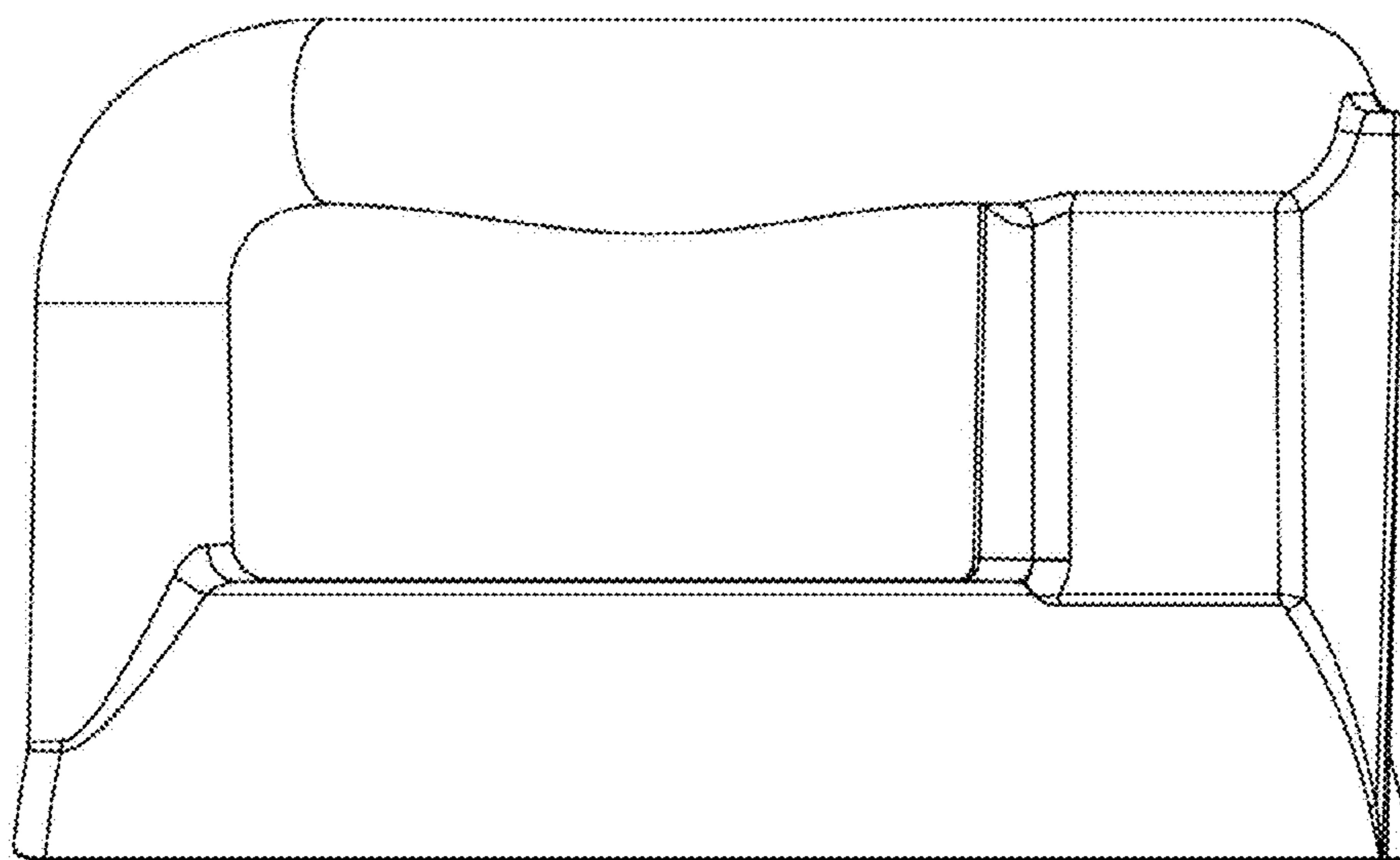


FIG. 10