



US00D920465S

(12) **United States Design Patent** (10) **Patent No.:** **US D920,465 S**
Bould et al. (45) **Date of Patent:** **** May 25, 2021**

(54) **CARTRIDGE**
(71) Applicant: **Willo 32 SAS**, Limoges (FR)
(72) Inventors: **Fred Bould**, Menlo Park, CA (US);
Kwan Hon Anson Cheung, San Francisco, CA (US); **Teddy Luong**, San Francisco, CA (US); **Jean-Raphaël Ouin**, Paris (FR); **Pierre Jules Hercule Cazeneuve**, Saint-Cloud (FR)
(73) Assignee: **Willo 32 SAS**, Limoges (FR)
(**) Term: **15 Years**
(21) Appl. No.: **29/694,522**
(22) Filed: **Jun. 11, 2019**
(51) **LOC (13) Cl.** **23-01**
(52) **U.S. Cl.**
USPC **D23/202**
(58) **Field of Classification Search**
USPC D23/202, 225, 210; D9/522-523, 563,
D9/574; D26/63
CPC B67B 7/28
See application file for complete search history.

D700,948 S * 3/2014 McGiveron D23/202
D728,068 S * 4/2015 Delorme D23/202
D757,888 S * 5/2016 Scholtz D23/202
10,604,394 B1 * 3/2020 Cazeneuve A61C 17/227
10,682,673 B1 * 6/2020 Laurent B65D 85/70
(Continued)

FOREIGN PATENT DOCUMENTS

TR 635764-0001 * 12/2008

OTHER PUBLICATIONS

Hudson Container, announced Nov. 30, 2018[online], [site visited Dec. 1, 2020]. Available from internet, URL:<<https://www.amazon.com/Hudson-Exchange-Gallon-Handled-Container/dp/B089RLPHSW>> (Year: 2018).*

(Continued)

Primary Examiner — Barbara Fox
Assistant Examiner — Jamaal Rasheed
(74) *Attorney, Agent, or Firm* — Daylight Law, P.C.

(57) **CLAIM**

The ornamental design for a cartridge, as shown and described.

DESCRIPTION

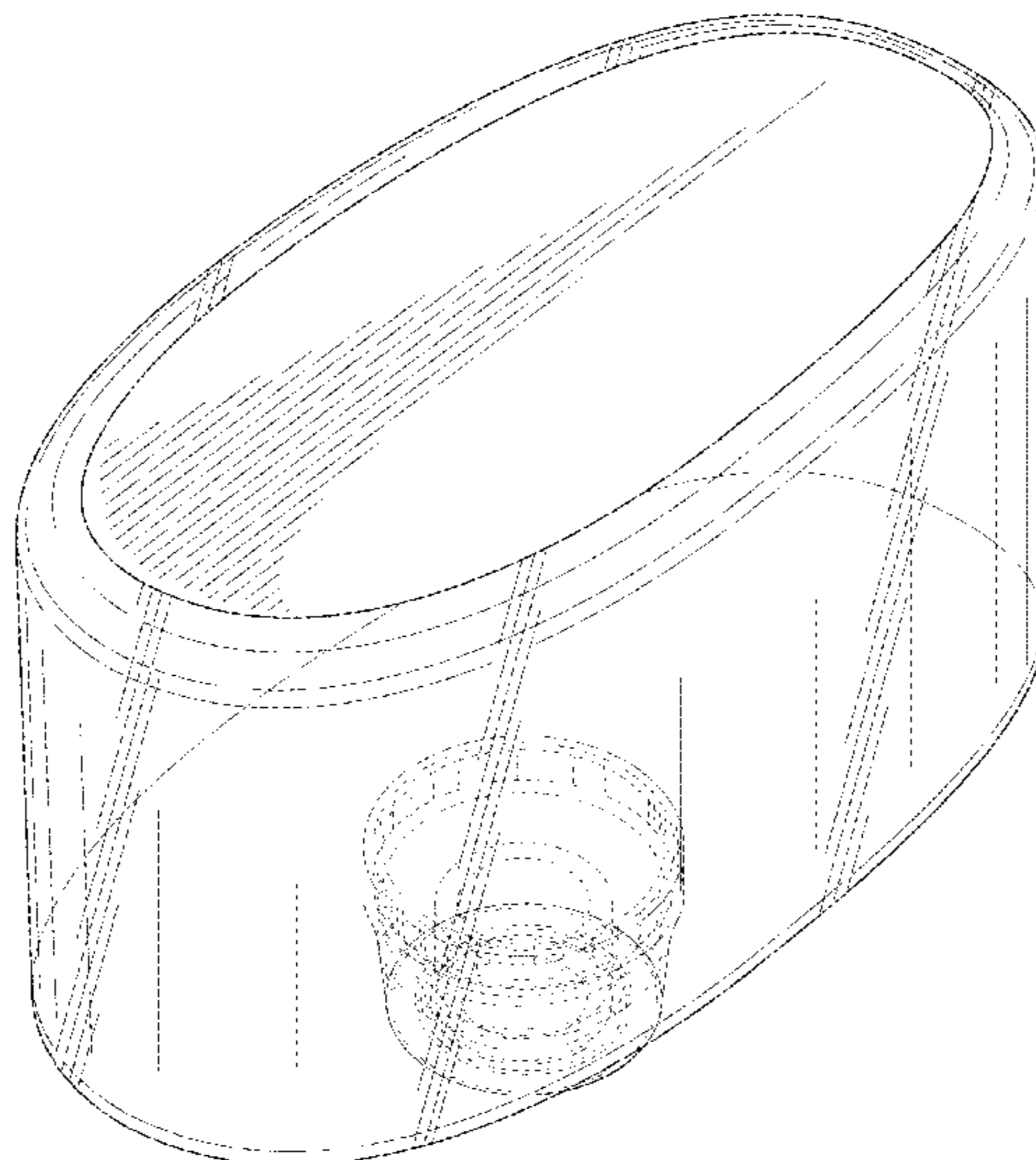
FIG. 1 is a top-left perspective view of a cartridge showing our new design;
FIG. 2 is a top-right perspective view thereof;
FIG. 3 is a bottom-left perspective view thereof;
FIG. 4 is a front view thereof;
FIG. 5 is a back view thereof;
FIG. 6 is a right-side view thereof;
FIG. 7 is a left-side view thereof;
FIG. 8 is a top view thereof; and,
FIG. 9 is a bottom view thereof.
The broken lines in FIGS. 1-7 and 9 depict portions of the cartridge that form no part of the claimed design.

1 Claim, 9 Drawing Sheets

(56) **References Cited**

U.S. PATENT DOCUMENTS

4,892,207 A * 1/1990 Cullis B65D 23/104
215/10
D315,300 S * 3/1991 Dinand D9/574
5,105,858 A * 4/1992 Levinson B65D 21/0212
141/18
D348,310 S * 6/1994 McNeill D23/313
D509,438 S * 9/2005 Woerz D9/563
D513,928 S * 1/2006 Birdsell D7/306
D591,387 S * 4/2009 Campbell D23/202
D594,087 S * 6/2009 Campbell D23/202
D604,385 S * 11/2009 Fontaine D23/202
D673,644 S * 1/2013 DeLorme D23/202
D698,003 S * 1/2014 Delorme D23/202



(56)

References Cited

U.S. PATENT DOCUMENTS

D900,615 S * 11/2020 Gautier D9/542

OTHER PUBLICATIONS

Willo, announced Date unavailable[online], [site visited Dec. 1, 2020]. Available from internet, URL:<<https://www.willo.com/product/fresh-routine-refills/>> (Year: 2020).*

* cited by examiner

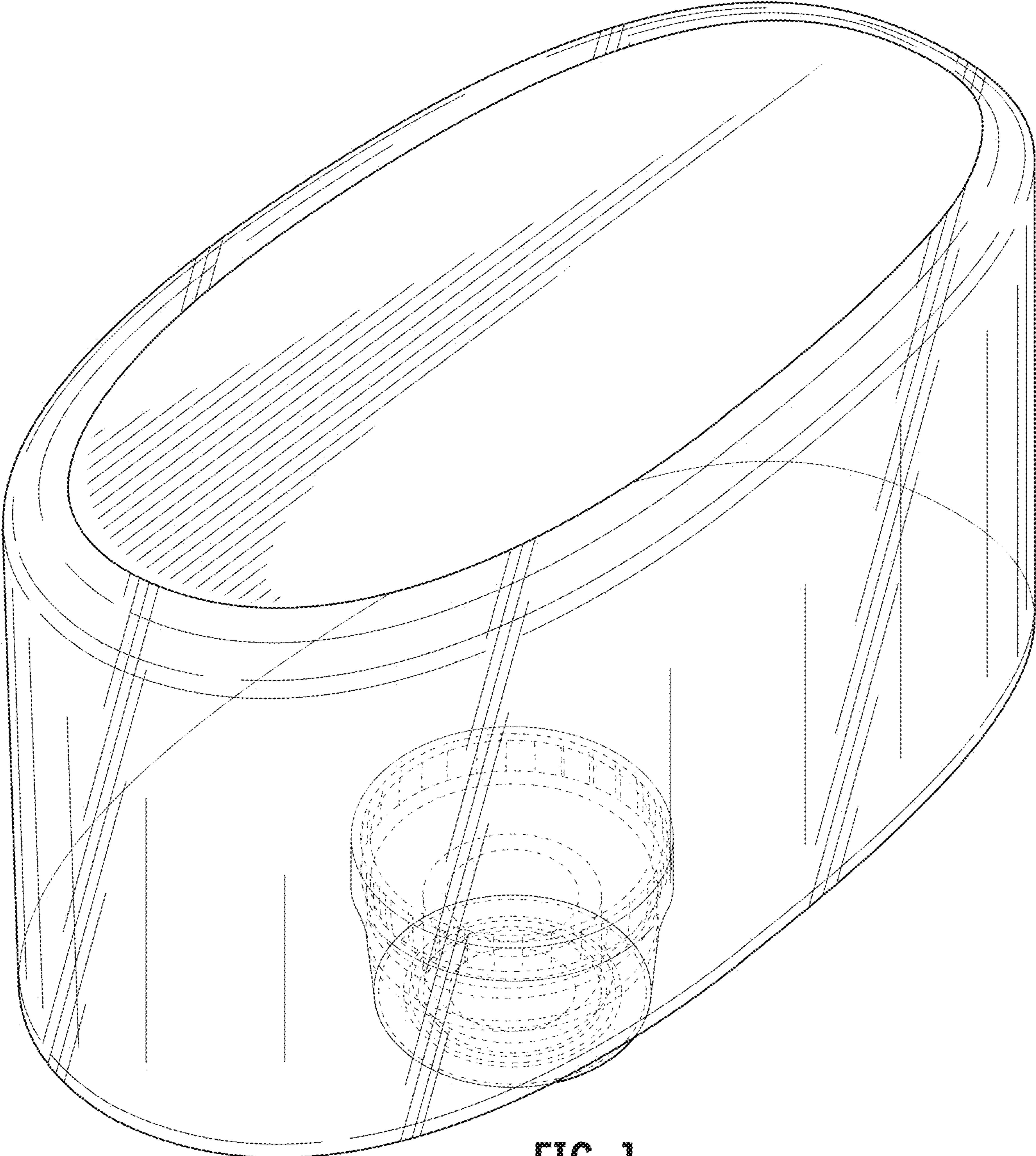


FIG. 1

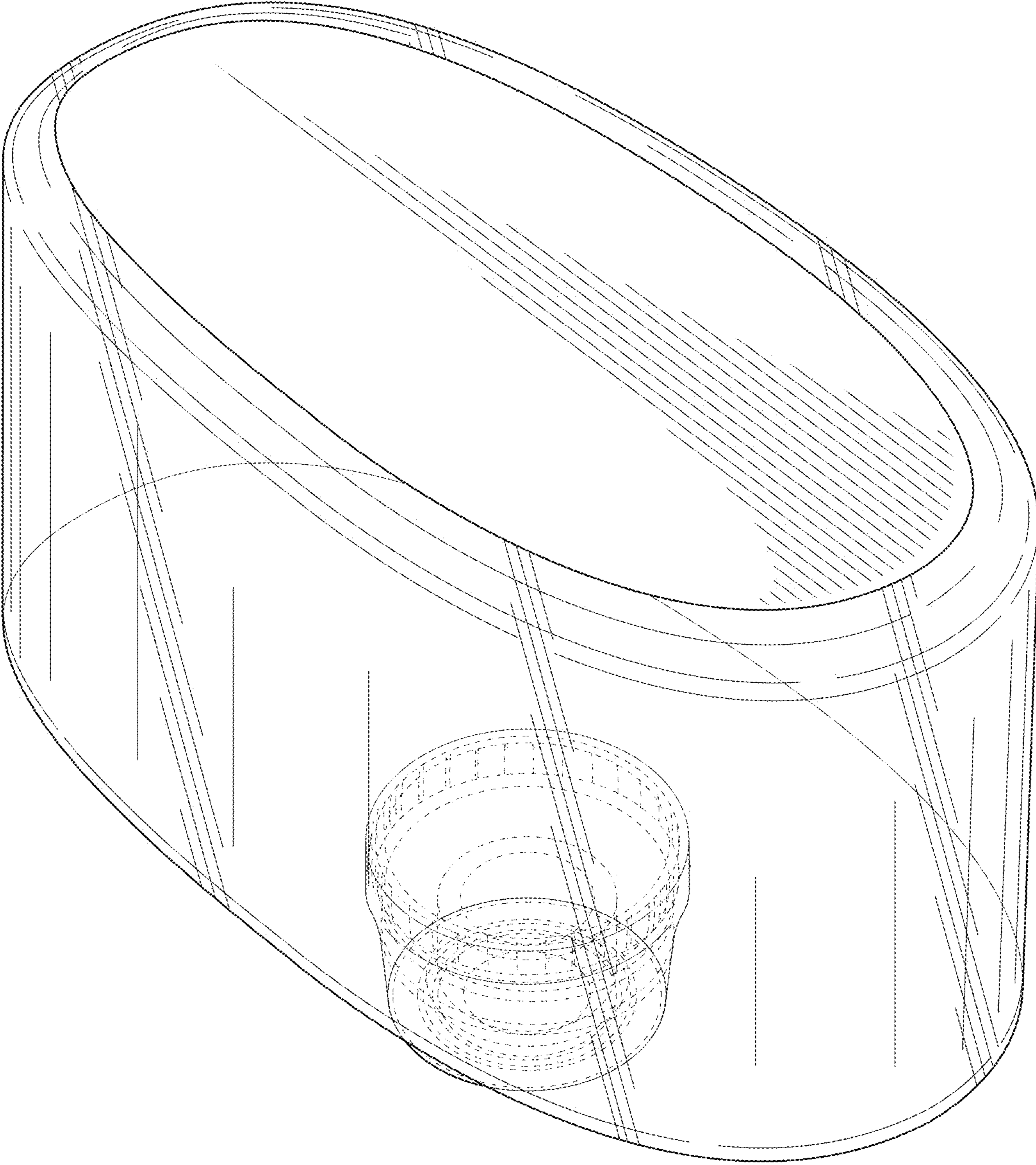


FIG. 2

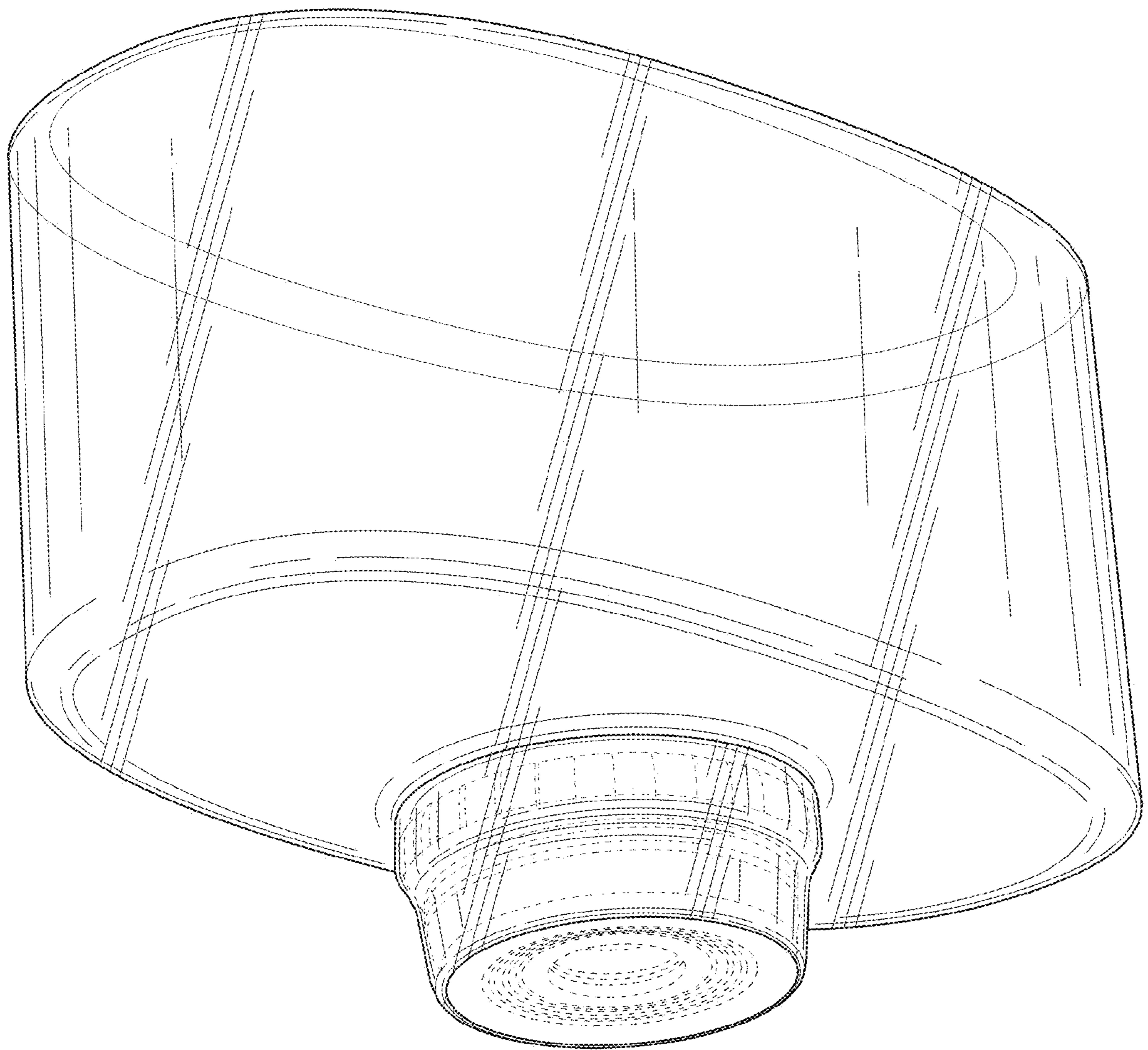


FIG. 3

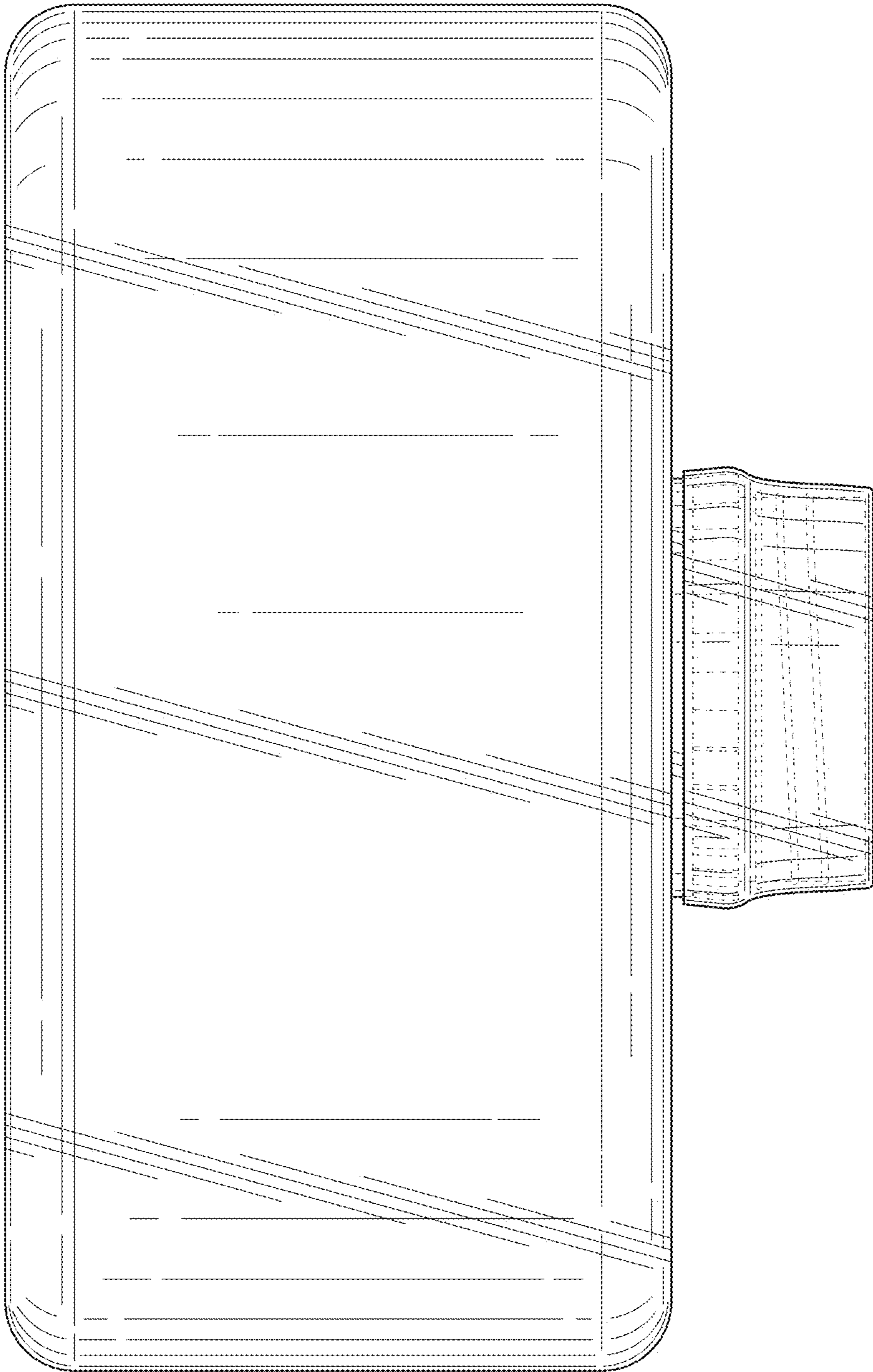


FIG. 4

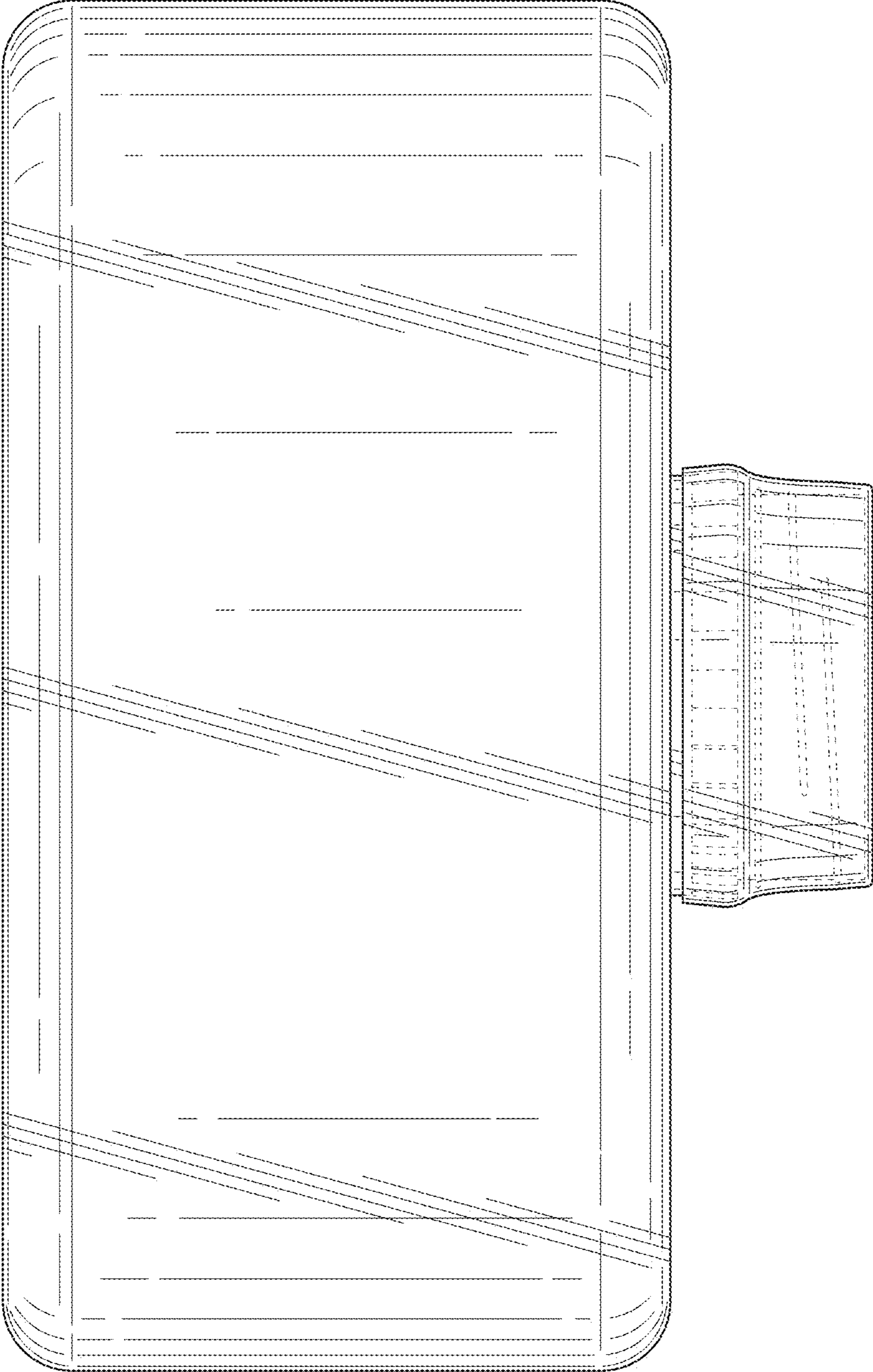


FIG. 5

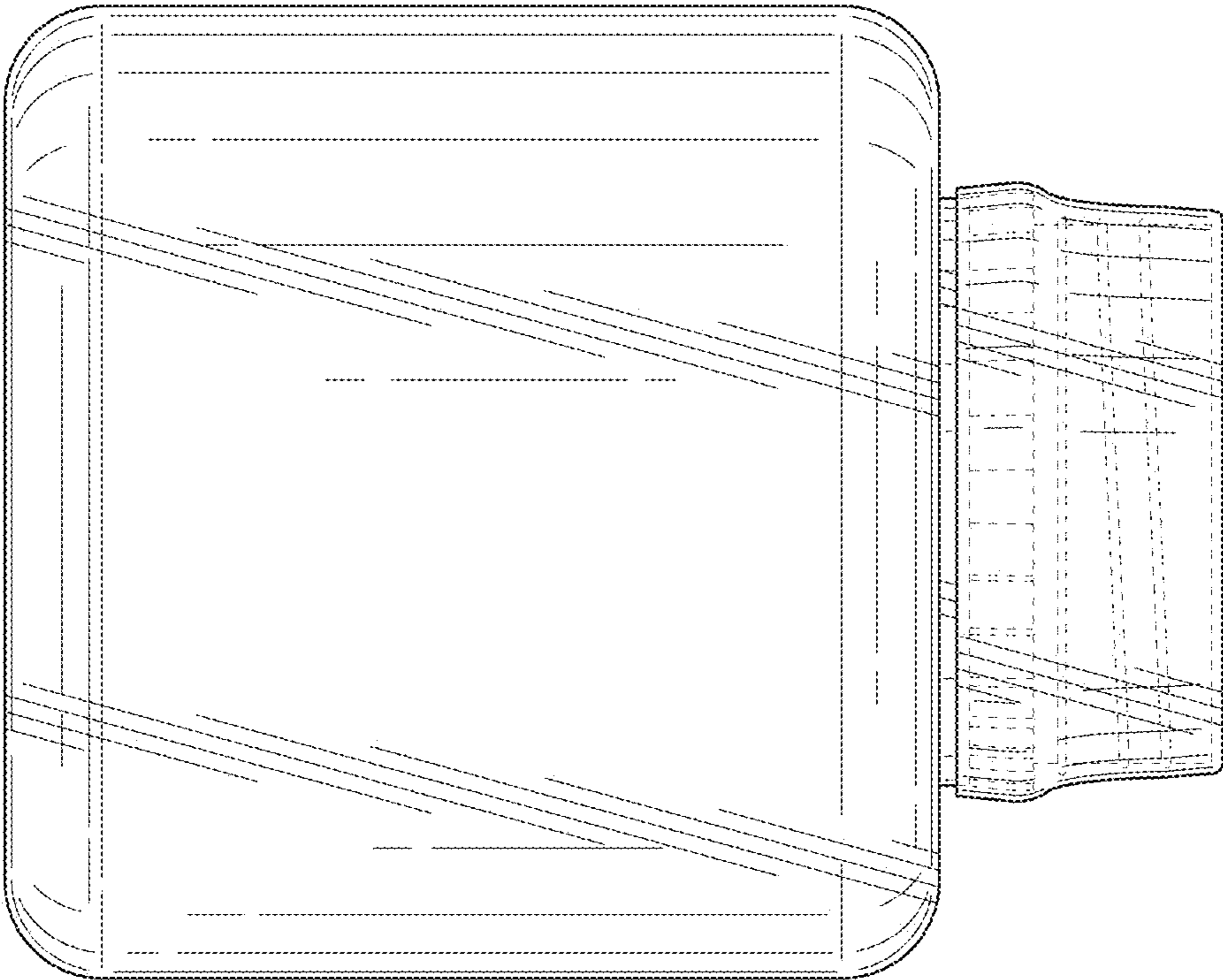


FIG. 6

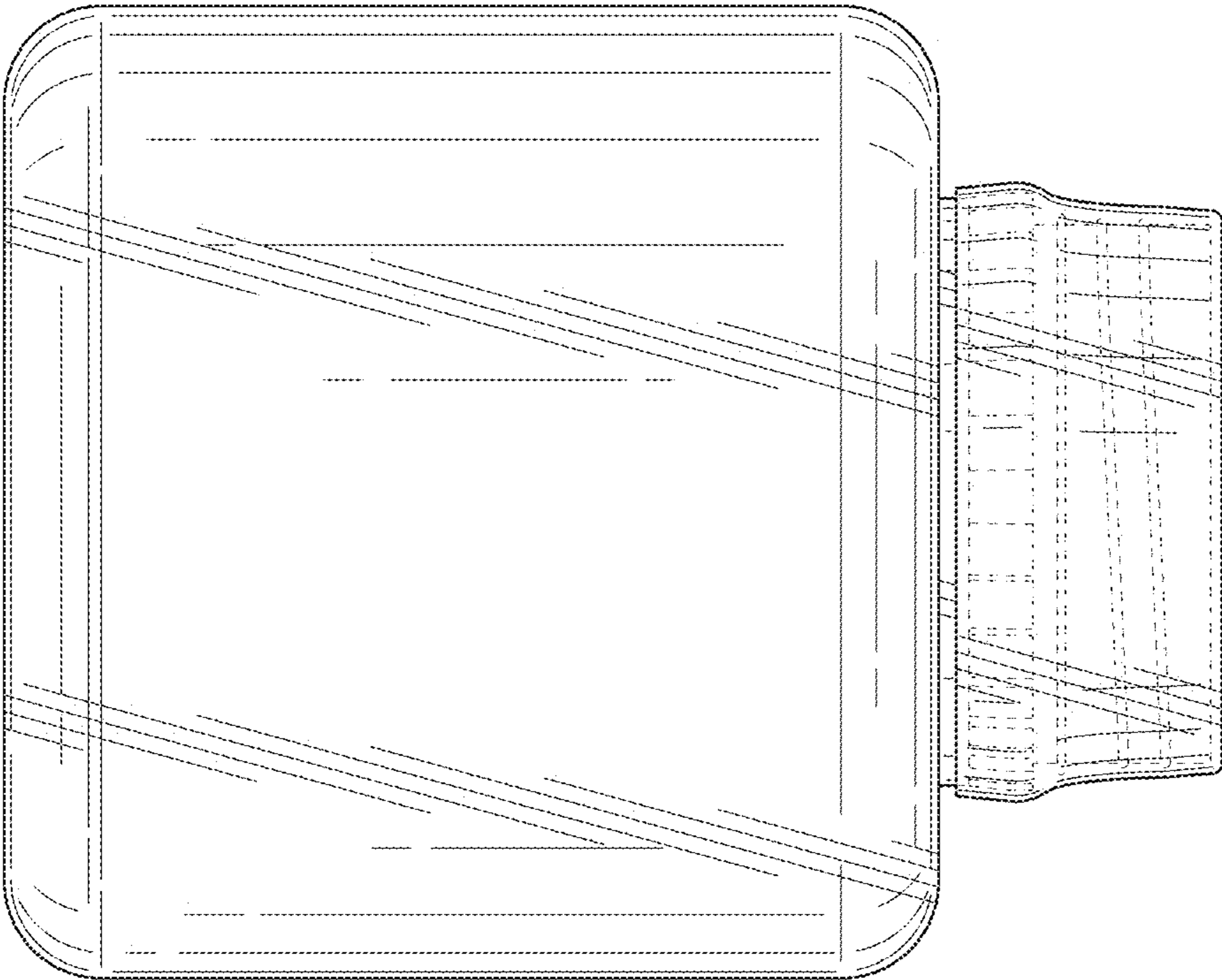


FIG. 7

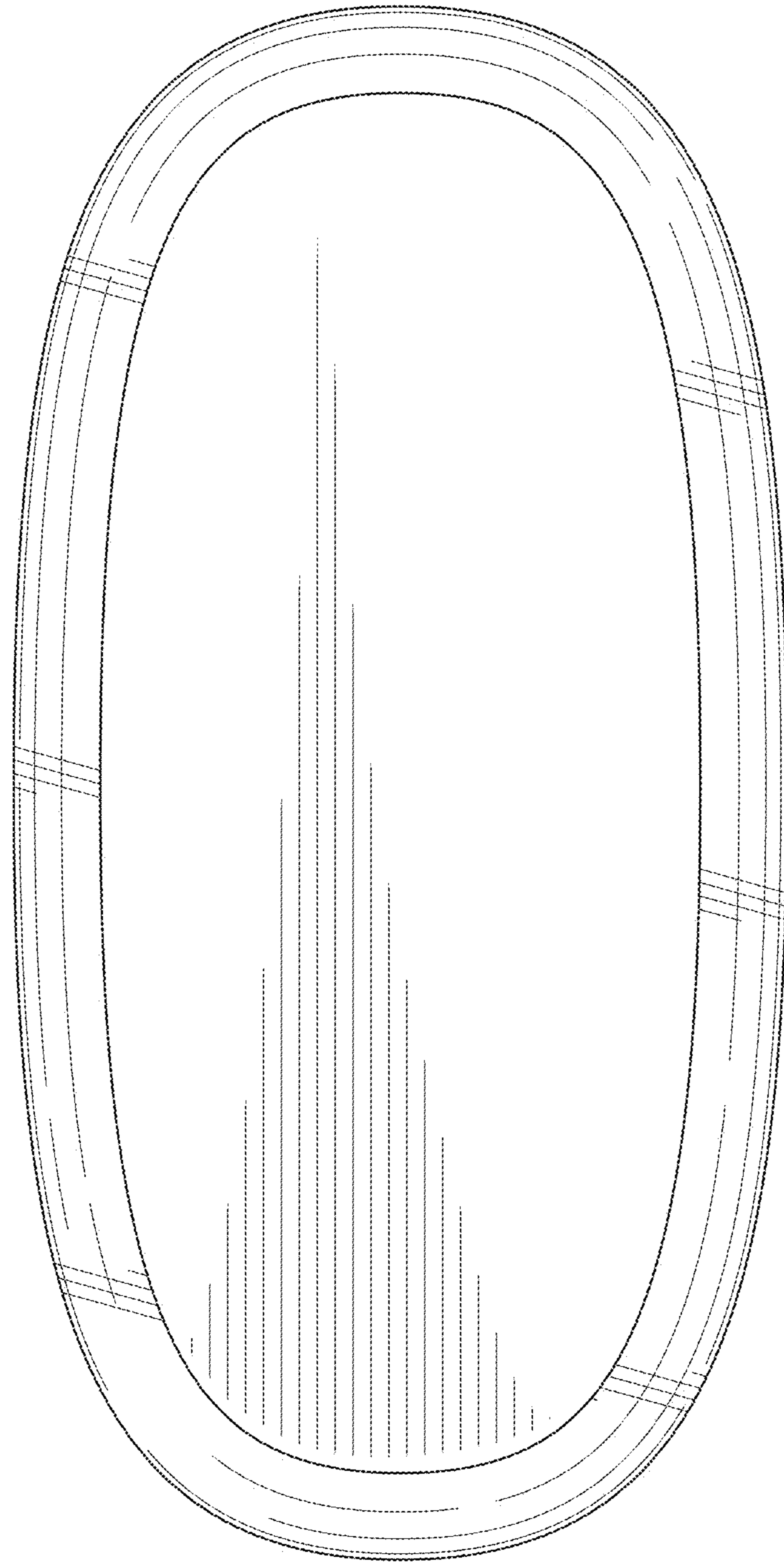


FIG. 8

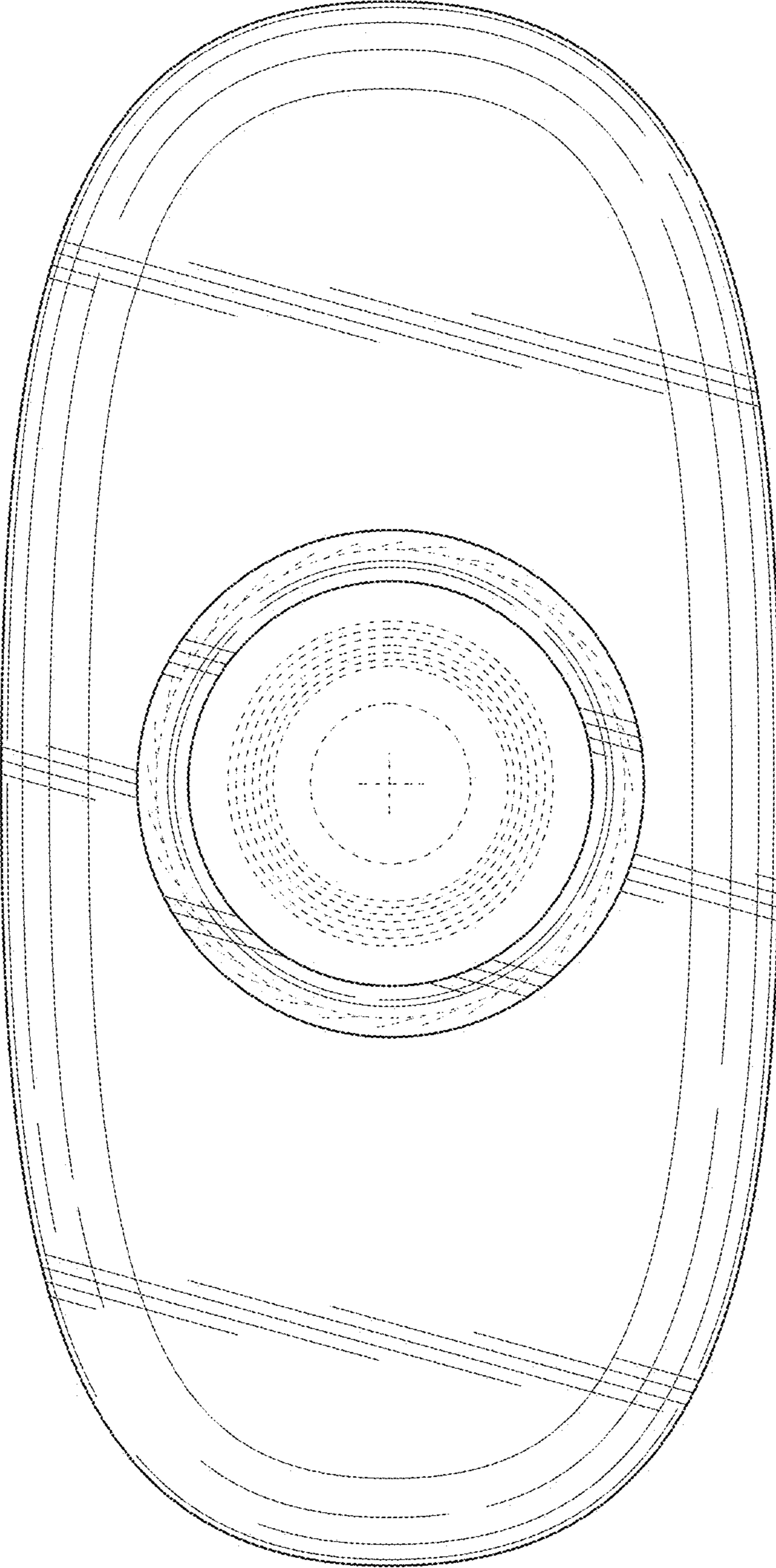


FIG. 9