



US00D920464S

(12) **United States Design Patent** (10) **Patent No.:** **US D920,464 S**
Thompson (45) **Date of Patent:** **** May 25, 2021**

- (54) **FUNNEL APPARATUS**
- (71) Applicant: **Unified Science, LLC**, Center City, MN (US)
- (72) Inventor: **Jonathan Thompson**, Center City, MN (US)
- (73) Assignee: **Unified Science, LLC**, Center City, MN (US)
- (**) Term: **15 Years**
- (21) Appl. No.: **29/689,049**
- (22) Filed: **Apr. 26, 2019**

- D369,850 S * 5/1996 Cammack D23/209
- D370,051 S * 5/1996 Samson D23/209
- D409,626 S * 5/1999 Hansen D15/5
- D424,156 S * 5/2000 Fassbender D23/202
- D584,378 S * 1/2009 Wilson D23/207
- D711,504 S * 8/2014 Jackson D23/209
- D757,889 S 5/2016 Meyer
- D816,799 S 5/2018 Bell

(Continued)

OTHER PUBLICATIONS

50L Filtration Apparatus, announced Date unavailable[online], [site visited Jan. 5, 2021]. Available from internet, URL:<<https://www.topdistillation.com/photo-x.php?id=424>> (Year: 2021).*

(Continued)

Primary Examiner — Barbara Fox

Assistant Examiner — Jamaal Rasheed

(74) *Attorney, Agent, or Firm* — Haugen Law Firm PLLP

Related U.S. Application Data

- (63) Continuation of application No. 29/610,169, filed on Jul. 10, 2017, now Pat. No. Des. 847,299.
- (51) **LOC (13) Cl.** **23-01**
- (52) **U.S. Cl.**
USPC **D23/200**
- (58) **Field of Classification Search**
USPC D23/200, 207, 209; D7/700; D15/5, 150
CPC B01D 29/00
See application file for complete search history.

CLAIM

The ornamental design for a funnel apparatus, as shown and described.

DESCRIPTION

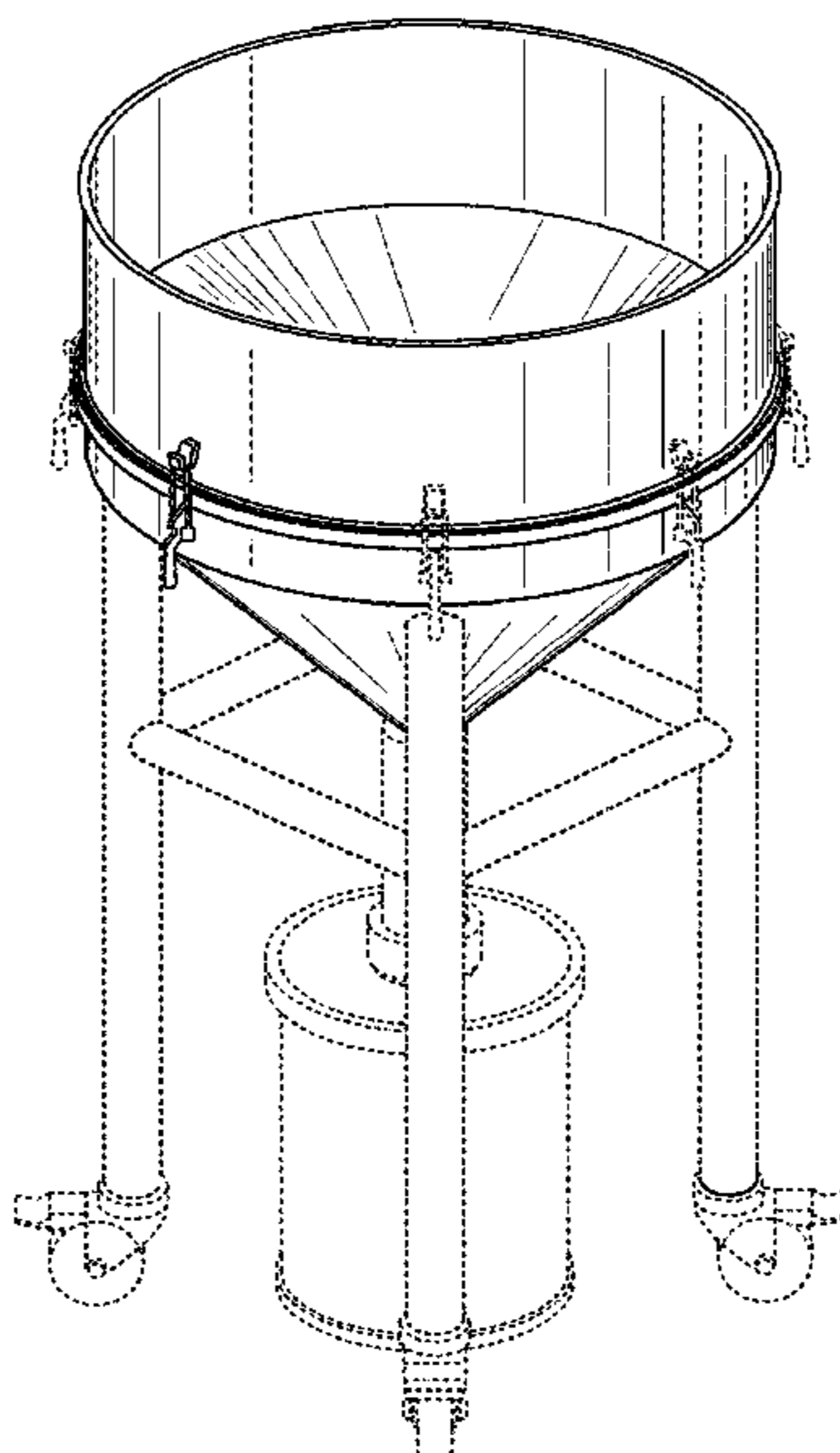
FIG. 1 is a perspective view of a funnel apparatus of the present invention;
FIG. 2 is a perspective view of the funnel apparatus of the present invention with the canister shown removed to show aspects of the design that are not visible when combined;
FIG. 3 is a front elevational view of the funnel apparatus of FIG. 2 with the rear, left side, and right side elevational views being identical to the front elevational view;
FIG. 4 is a top plan view thereof; and,
FIG. 5 is a bottom view thereof.
The broken line showing of environmental structure is for illustrative purposes only, and forms no part of the claimed design.

References Cited

U.S. PATENT DOCUMENTS

- 2,449,238 A * 9/1948 Lightfoot, Jr. B01D 29/085
210/232
- D185,115 S * 5/1959 Beerman D7/700
- 3,826,369 A * 7/1974 Murata B01D 29/66
210/798
- D245,703 S * 9/1977 Hughes D23/209
- D306,951 S * 4/1990 Brandstrom D23/200
- D310,123 S * 8/1990 Carlson D23/200
- D317,850 S 7/1991 Shaw
- D341,147 S * 11/1993 Pollak 141/331

1 Claim, 4 Drawing Sheets



(56)

References Cited

U.S. PATENT DOCUMENTS

D847,299 S * 4/2019 Thompson D23/200
D889,593 S * 7/2020 Nakano D23/207

OTHER PUBLICATIONS

United Science, announced Date unavailable[online], [site visited Jan. 5, 2021]. Available from internet, URL:<<https://unitedscience.com/>> (Year: 2021).*

* cited by examiner

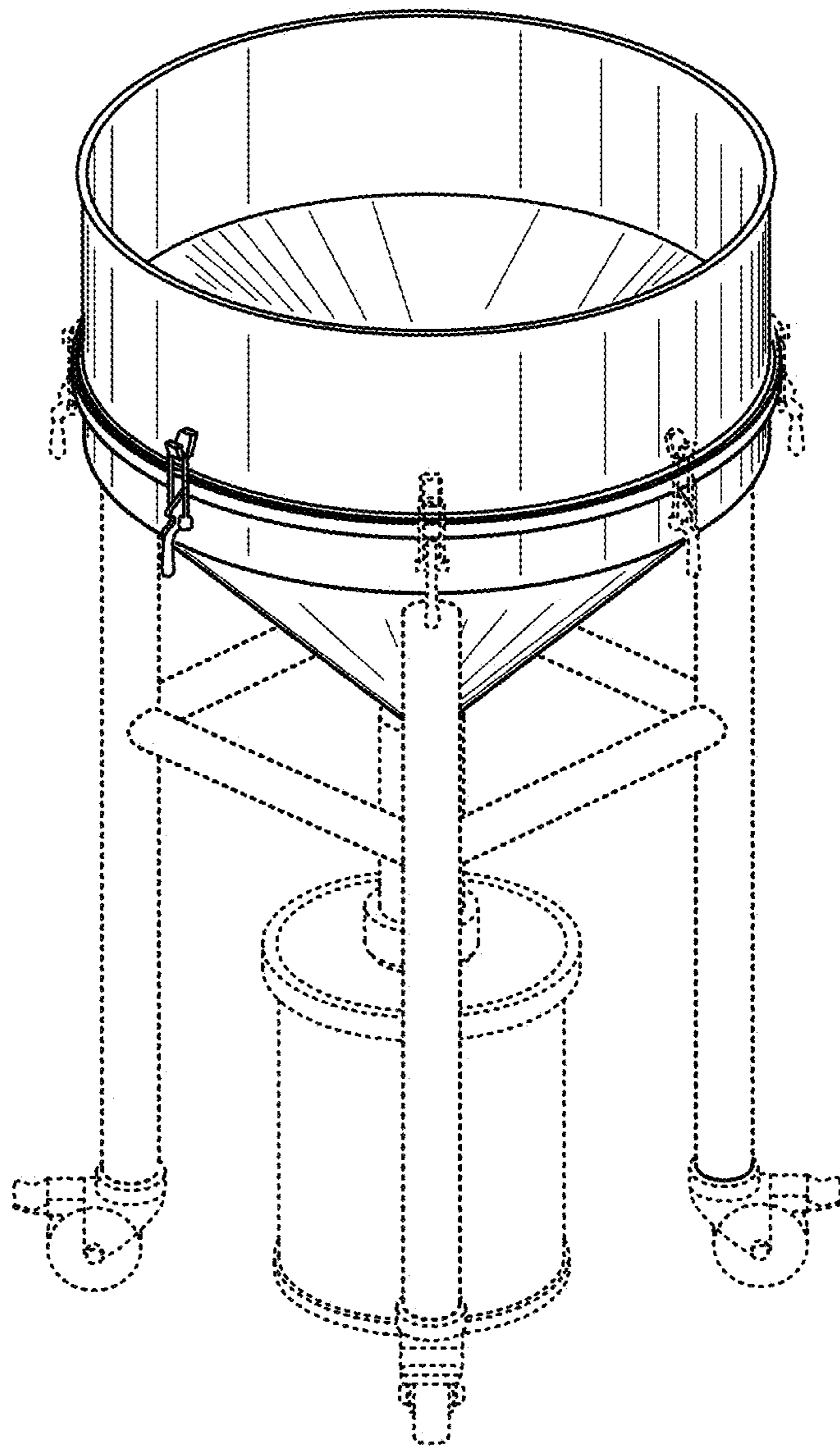


FIG. 1

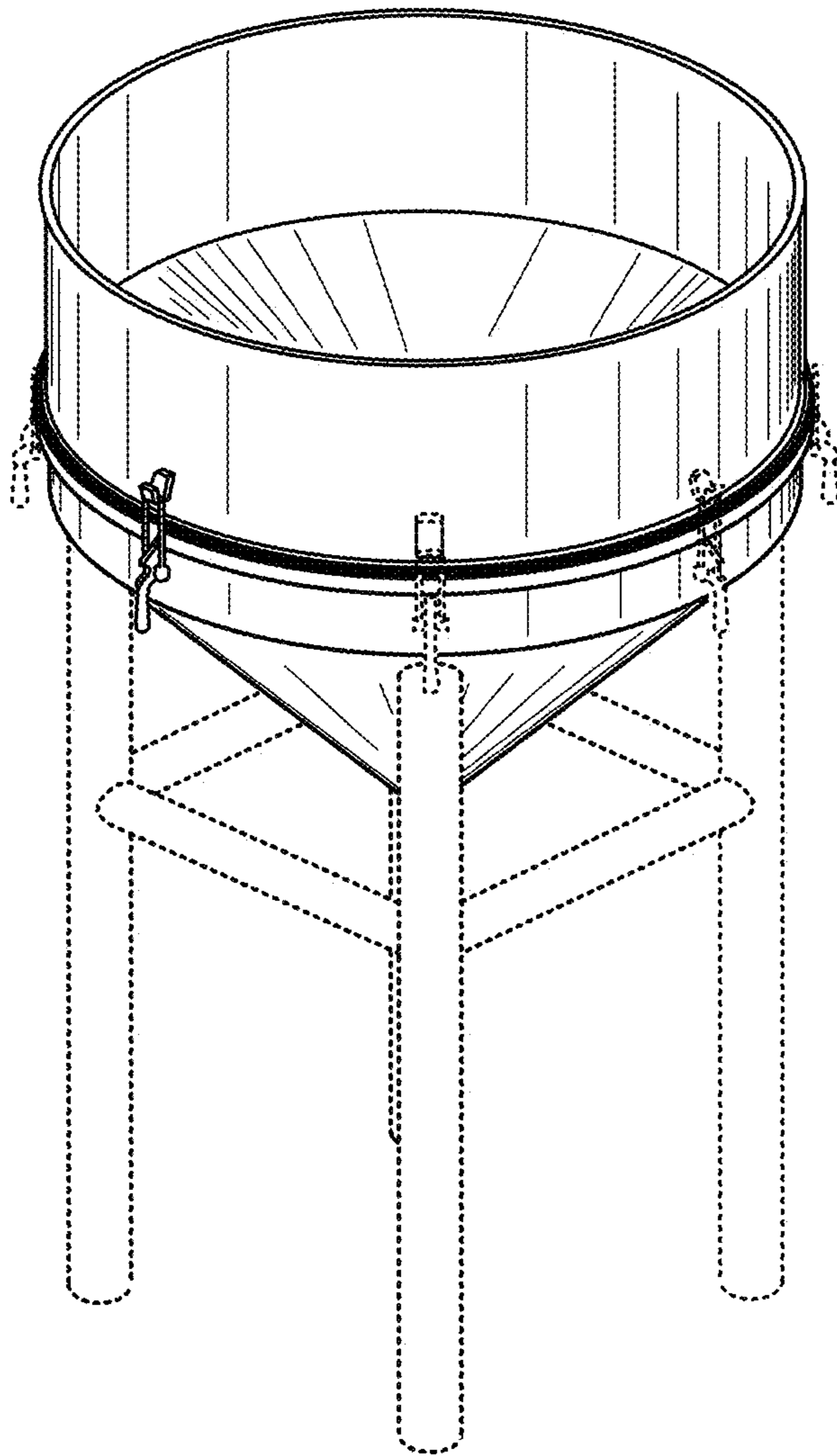


FIG. 2

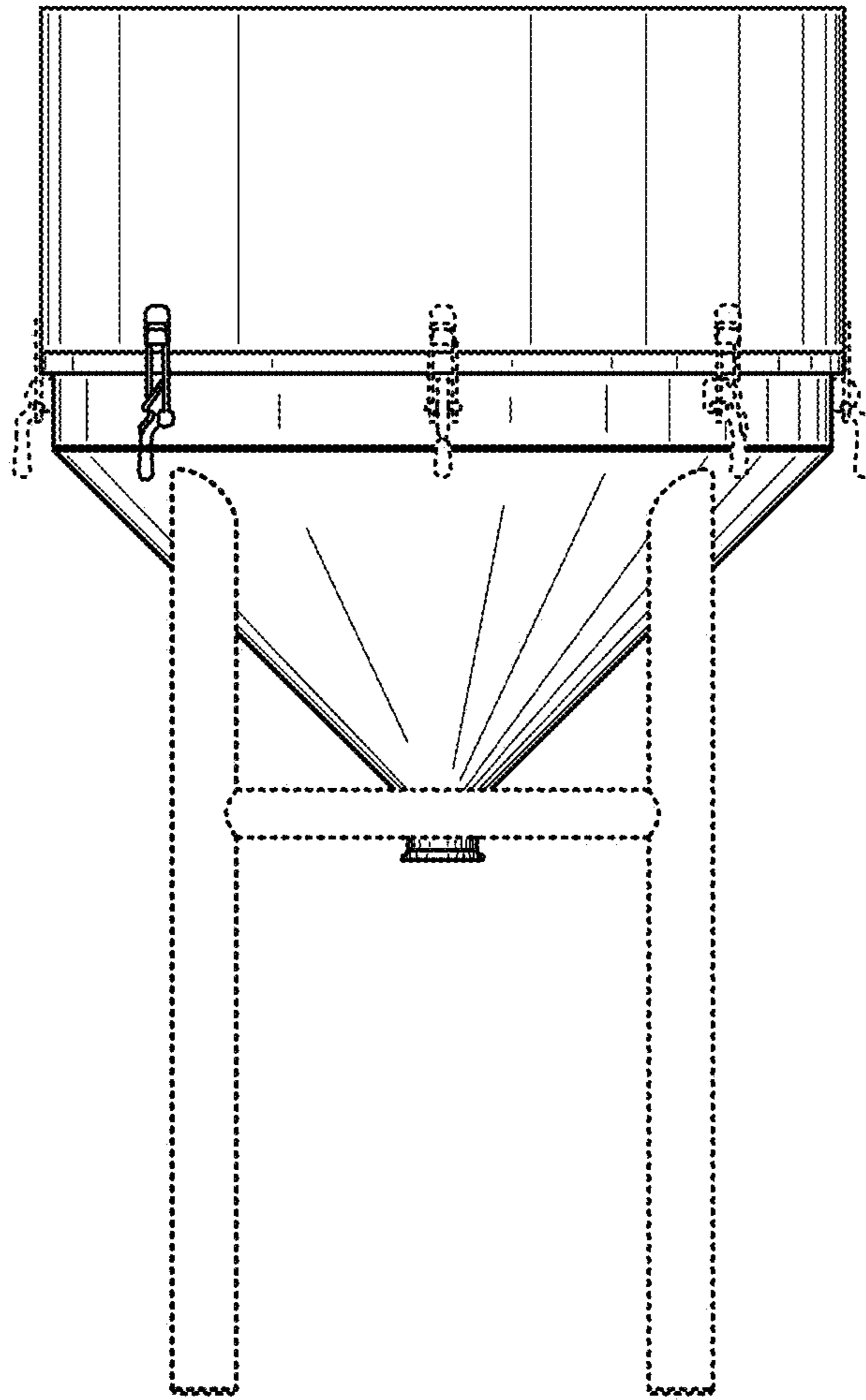


FIG. 3

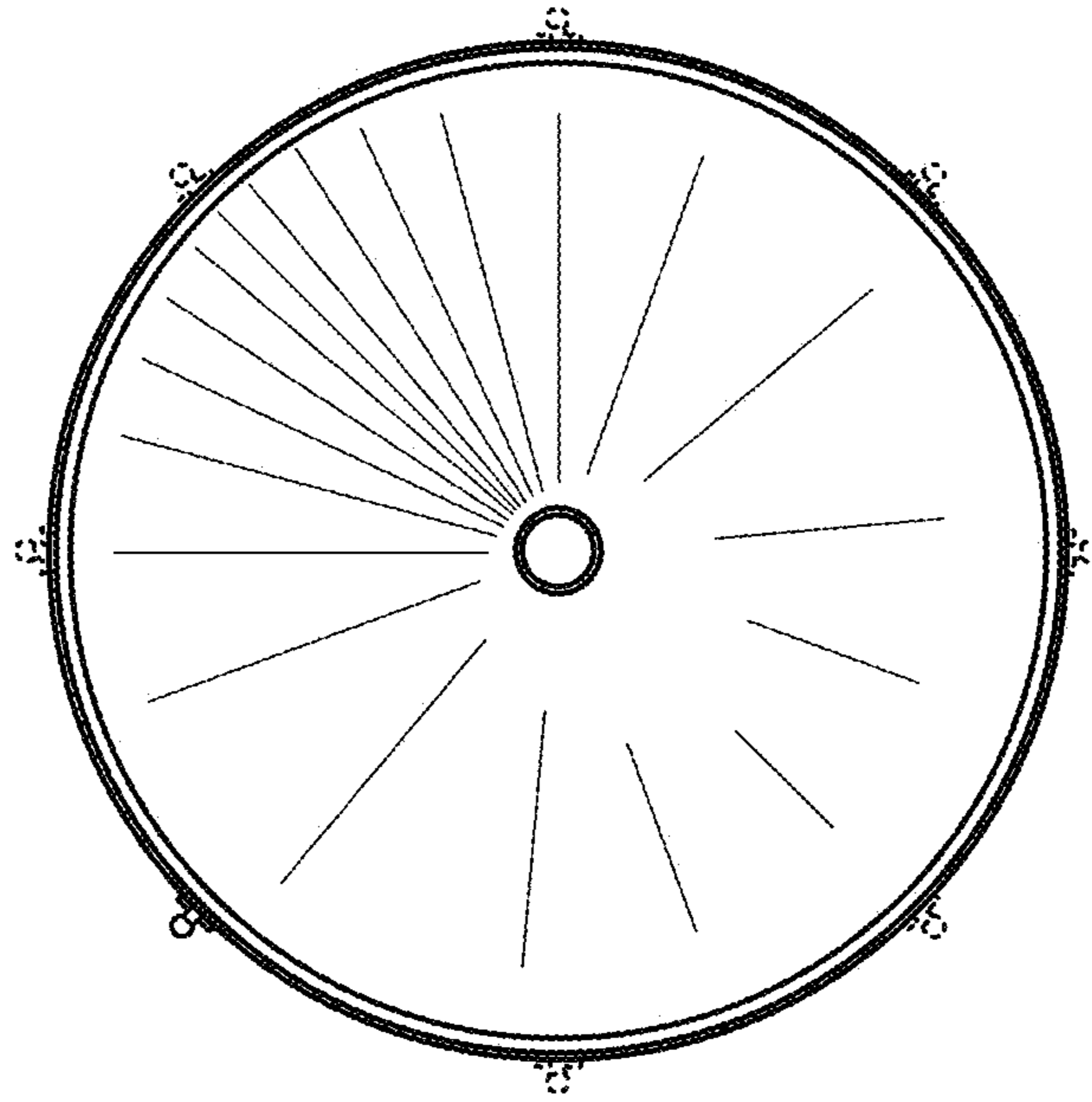


FIG. 4

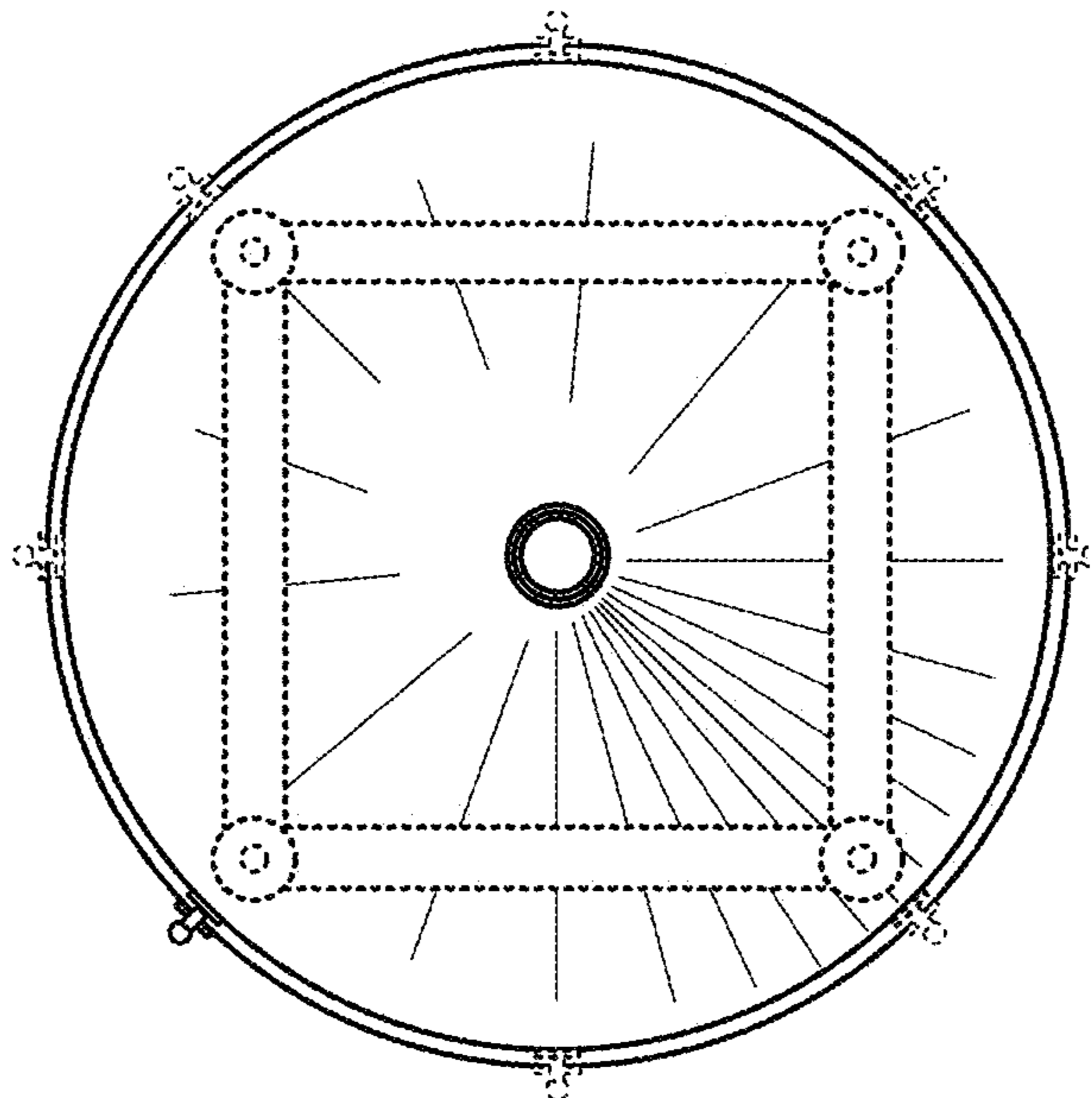


FIG. 5