



US00D920458S

(12) **United States Design Patent**  
**Zeng**

(10) **Patent No.:** **US D920,458 S**

(45) **Date of Patent:** **\*\* May 25, 2021**

- (54) **TRAMPOLINE**
- (71) Applicant: **Guangzhou YuanPiao YunDong**  
**YongPin YouXian GongSi**, Guangzhou  
(CN)
- (72) Inventor: **Aifang Zeng**, Zijin (CN)
- (\*\*) Term: **15 Years**
- (21) Appl. No.: **29/753,199**
- (22) Filed: **Sep. 30, 2020**
- (51) **LOC (13) Cl.** ..... **21-02**
- (52) **U.S. Cl.**  
USPC ..... **D21/797**
- (58) **Field of Classification Search**  
USPC ..... D6/331; D30/112; D25/3; D21/798,  
D21/797; 482/35, 29, 28, 27  
CPC ..... A63B 5/11; A63B 21/023; A63B 71/022;  
A63B 2210/50; A63B 2208/12; A63B  
2071/009  
See application file for complete search history.

D758,515 S *	6/2016	Tsai	.....	D21/797
D777,279 S	1/2017	de Boer		
D777,280 S *	1/2017	de Boer	.....	D21/797
D777,865 S *	1/2017	de Boer	.....	D21/797
D788,240 S *	5/2017	Ho	.....	D21/797
D788,241 S	5/2017	Ho et al.		
D788,243 S	5/2017	Bisang et al.		
D788,868 S	6/2017	Bisang et al.		
D791,260 S	7/2017	Ho et al.		
D842,956 S	3/2019	Kopf		
D843,535 S *	3/2019	Kopf	.....	D21/797
D843,536 S *	3/2019	Kopf	.....	D21/797
D844,729 S *	4/2019	Fischer	.....	D21/797
D844,730 S *	4/2019	Fischer	.....	D21/797
D850,553 S *	6/2019	Kopf	.....	D21/797
D853,507 S *	7/2019	Hammer	.....	D21/797
2002/0160884 A1 *	10/2002	Hall	.....	A63B 5/11 482/23

(Continued)

*Primary Examiner* — Ryan Harvey

(74) *Attorney, Agent, or Firm* — Rumit Ranjit Kanakia

(57) **CLAIM**

I claim the ornamental design for a trampoline, as shown and described.

**DESCRIPTION**

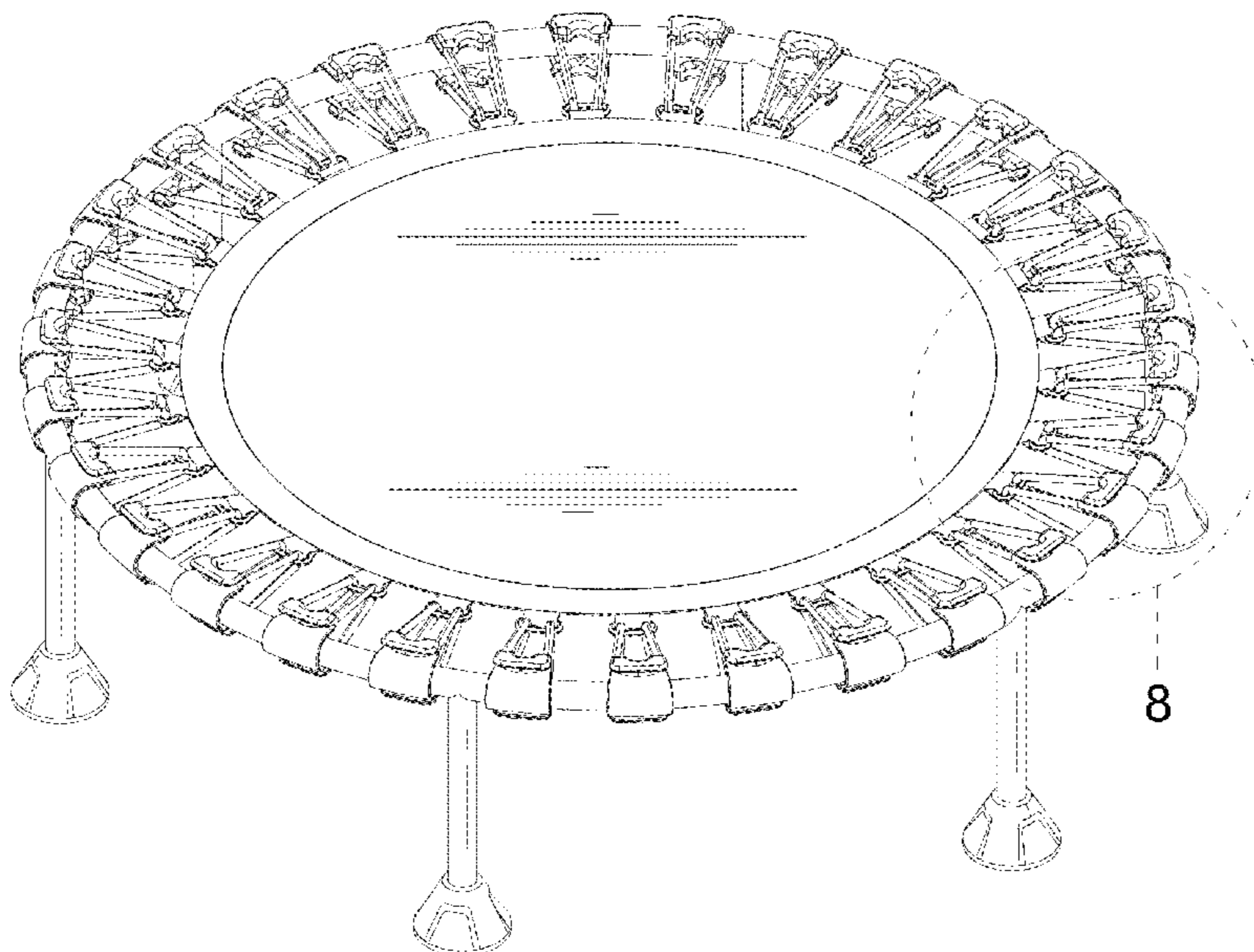
FIG. 1 is a Perspective view of a trampoline showing my new design;  
 FIG. 2 is a Front view thereof;  
 FIG. 3 is a Back view thereof;  
 FIG. 4 is a Right-side view thereof;  
 FIG. 5 is a Left-side view thereof;  
 FIG. 6 is a Top view thereof;  
 FIG. 7 is a Bottom view thereof; and,  
 FIG. 8 is an enlarged perspective view of an area labeled 8 in FIG. 1.  
 The broken lines are for the purpose of illustrating portions of the article that form no part of the claim.

**1 Claim, 8 Drawing Sheets**

(56) **References Cited**

**U.S. PATENT DOCUMENTS**

4,331,329 A *	5/1982	Mirkovich	.....	A63B 5/11 482/27
5,613,922 A *	3/1997	Hsiang	.....	A63B 69/0097 108/8
5,967,943 A *	10/1999	Rich	.....	A63B 5/11 182/37
6,036,620 A *	3/2000	Yang	.....	A63B 5/11 482/27
6,110,074 A *	8/2000	Tacquet	.....	A63B 5/11 482/27
6,129,649 A *	10/2000	Yang	.....	A63B 5/11 482/27
D504,711 S *	5/2005	Hsiung	.....	D21/797
D652,641 S *	1/2012	Mehr	.....	D6/334
D666,266 S *	8/2012	Publicover	.....	D21/797



(56)

**References Cited**

U.S. PATENT DOCUMENTS

2010/0009812 A1\* 1/2010 Pieper Genannt Schmauck .....  
A63B 5/11  
482/27  
2013/0210590 A1\* 8/2013 Publicover ..... A63B 69/0097  
482/110  
2013/0316876 A1\* 11/2013 Publicover ..... A63B 5/11  
482/27  
2014/0315691 A1\* 10/2014 Turner ..... A63B 26/003  
482/27  
2015/0080186 A1\* 3/2015 Carlin ..... A63B 5/11  
482/27  
2016/0096056 A1\* 4/2016 de Boer ..... A63B 5/11  
482/27  
2016/0256722 A1\* 9/2016 Tsai ..... A63B 5/11  
2016/0310774 A1\* 10/2016 Publicover ..... A63B 5/11  
2017/0182343 A1\* 6/2017 Ho ..... A63B 21/00047  
2017/0216648 A1\* 8/2017 Male ..... A63B 5/11  
2017/0232288 A1\* 8/2017 Ho ..... A63B 5/11  
482/28  
2018/0280750 A1\* 10/2018 Fischer ..... F16B 2/065  
2018/0353789 A1\* 12/2018 Tseng ..... A63B 1/00  
2020/0338379 A1\* 10/2020 Chen ..... F16B 7/0433

\* cited by examiner

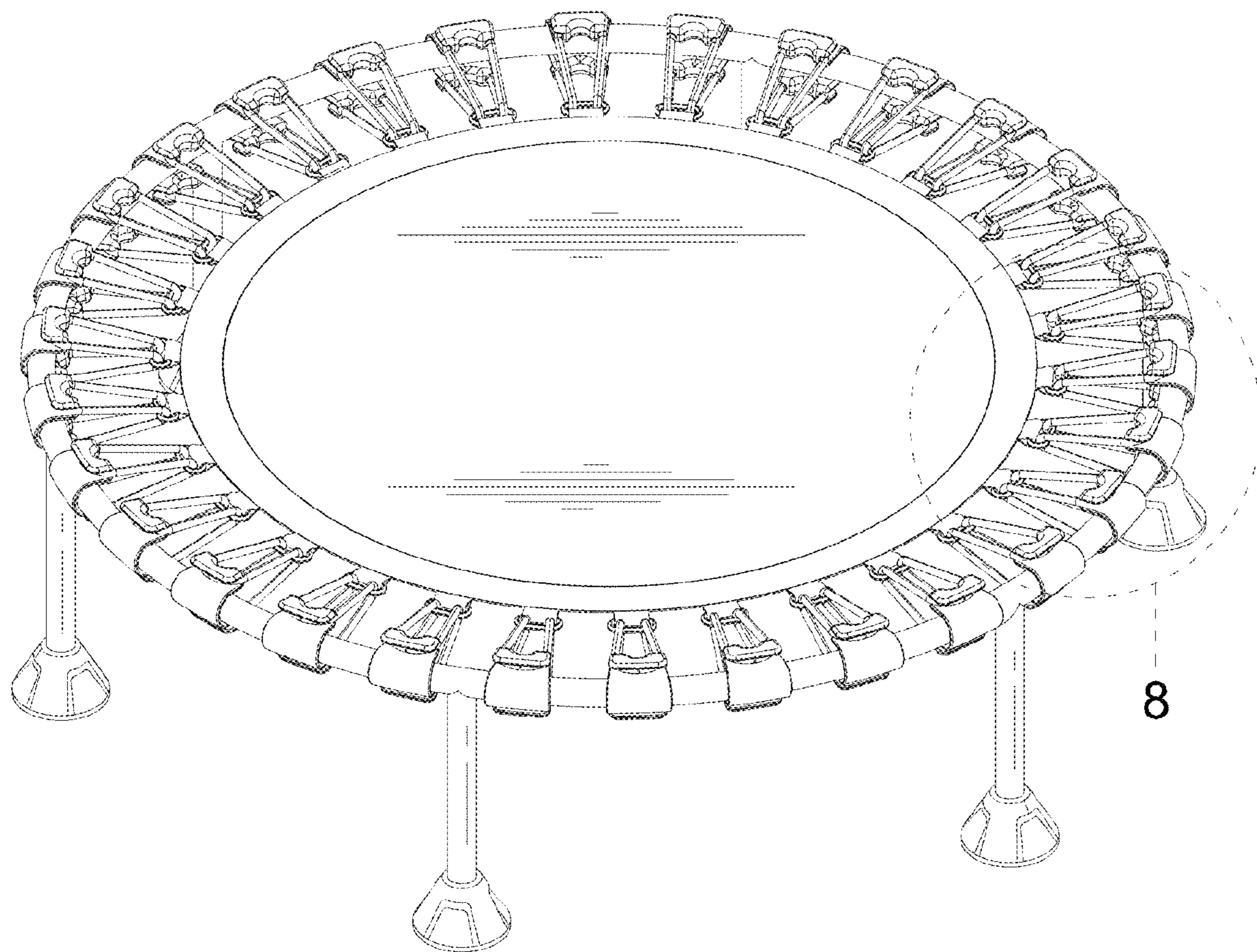


FIG. 1

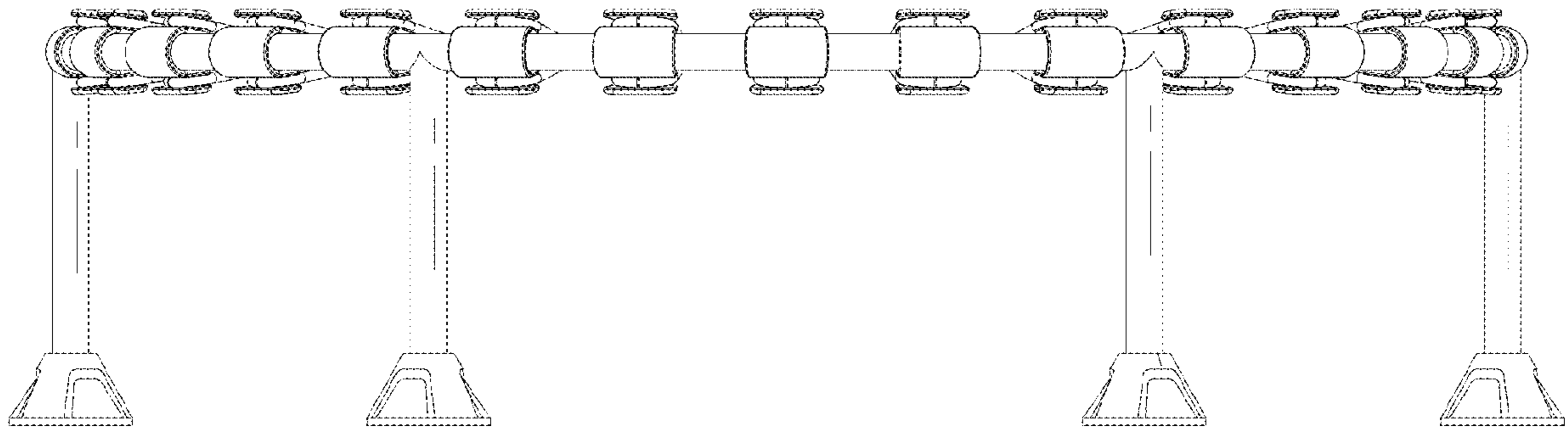


FIG. 2

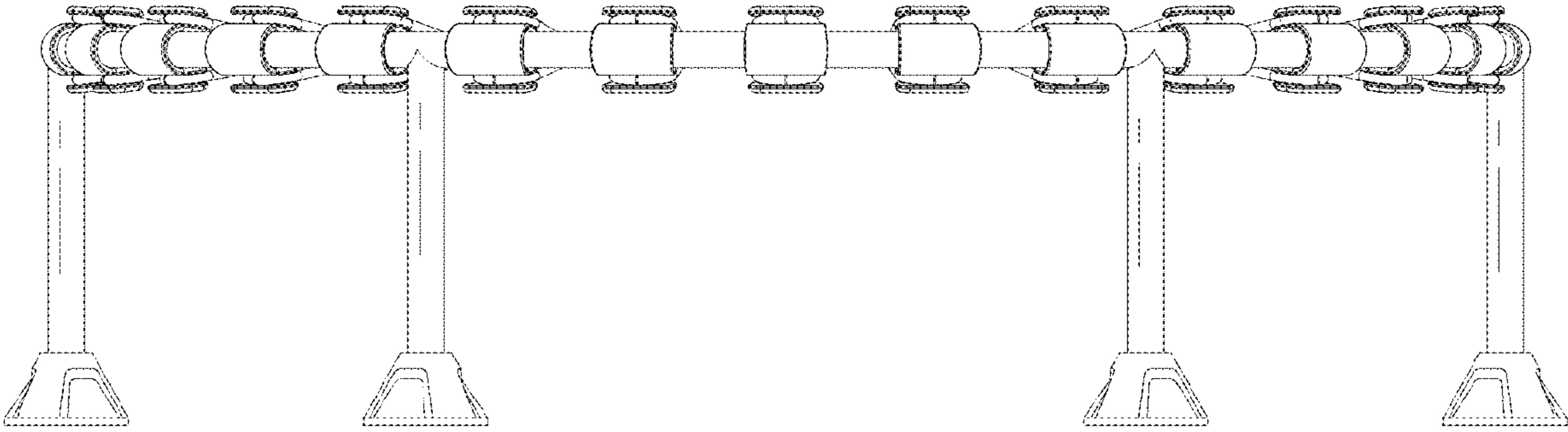


FIG. 3

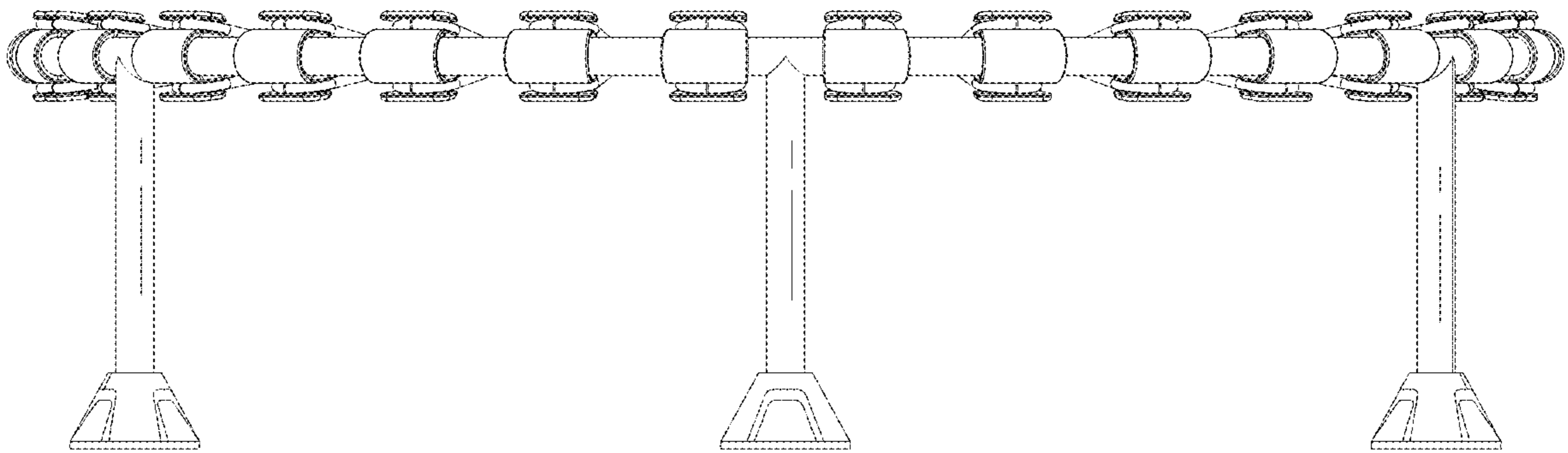


FIG. 4

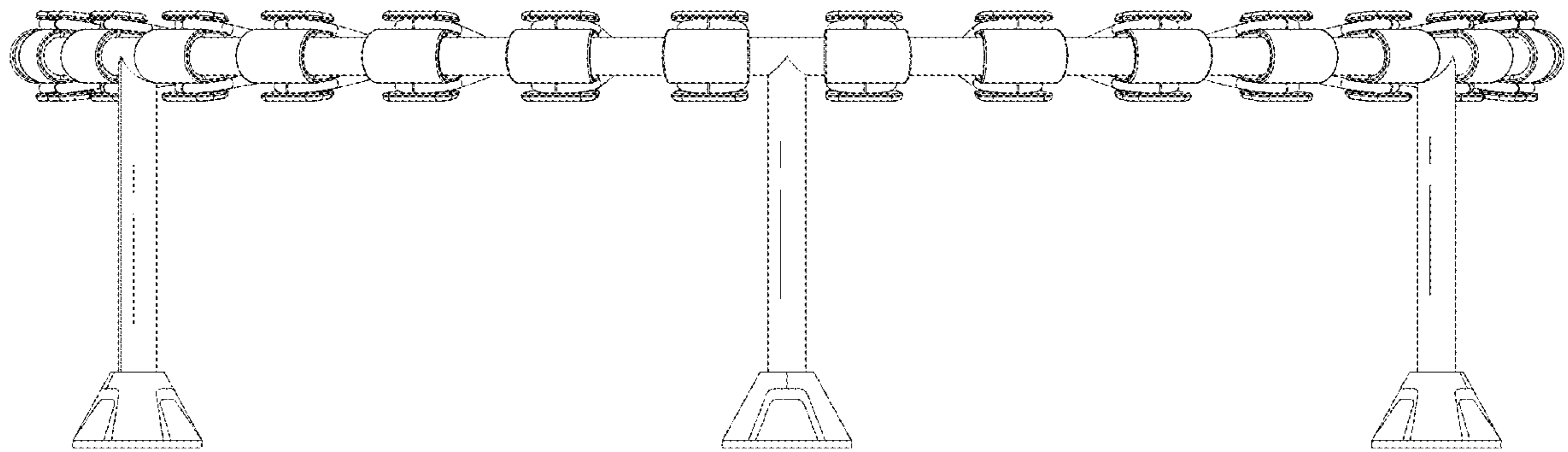


FIG. 5

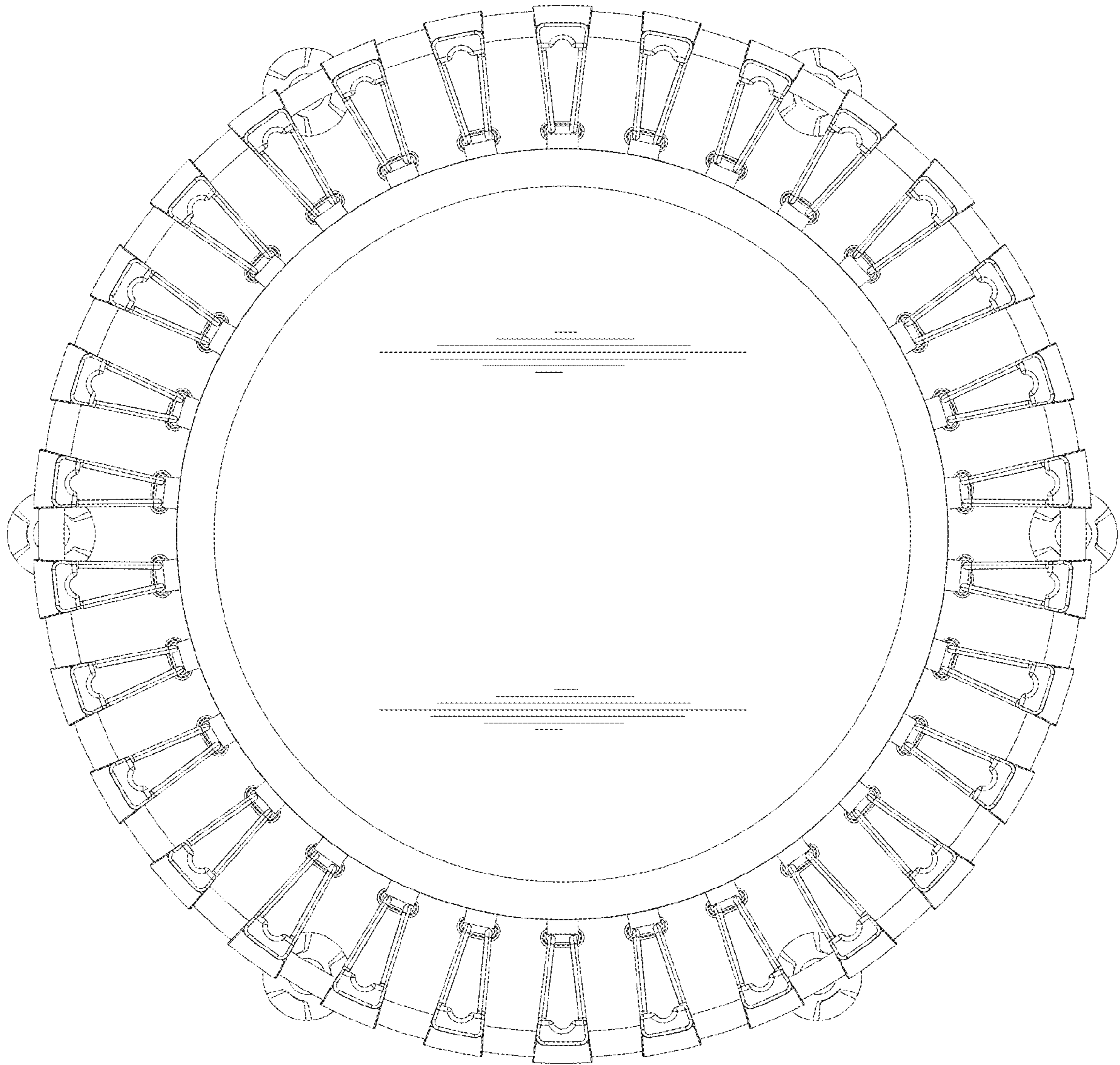


FIG. 6



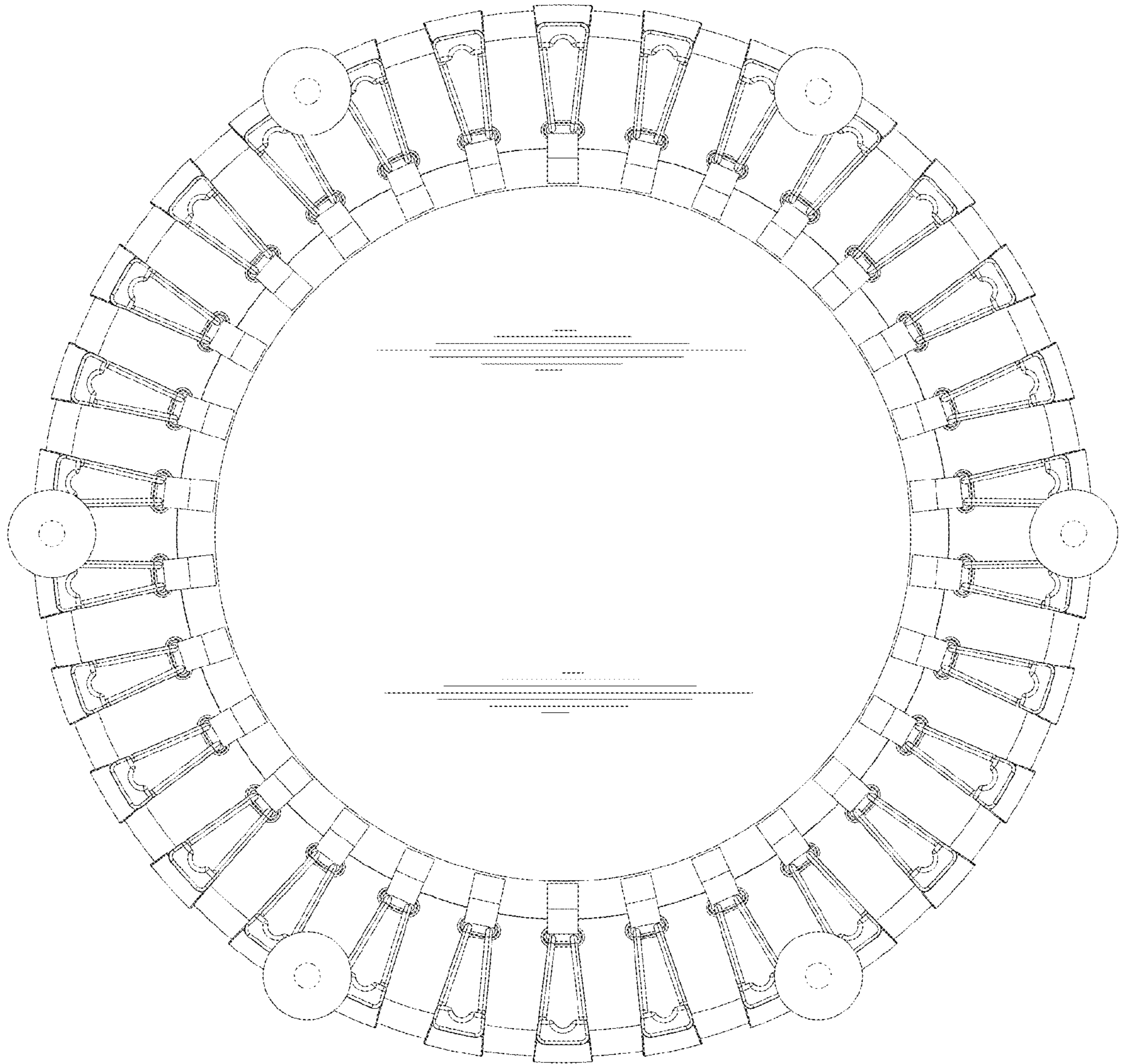


FIG. 7

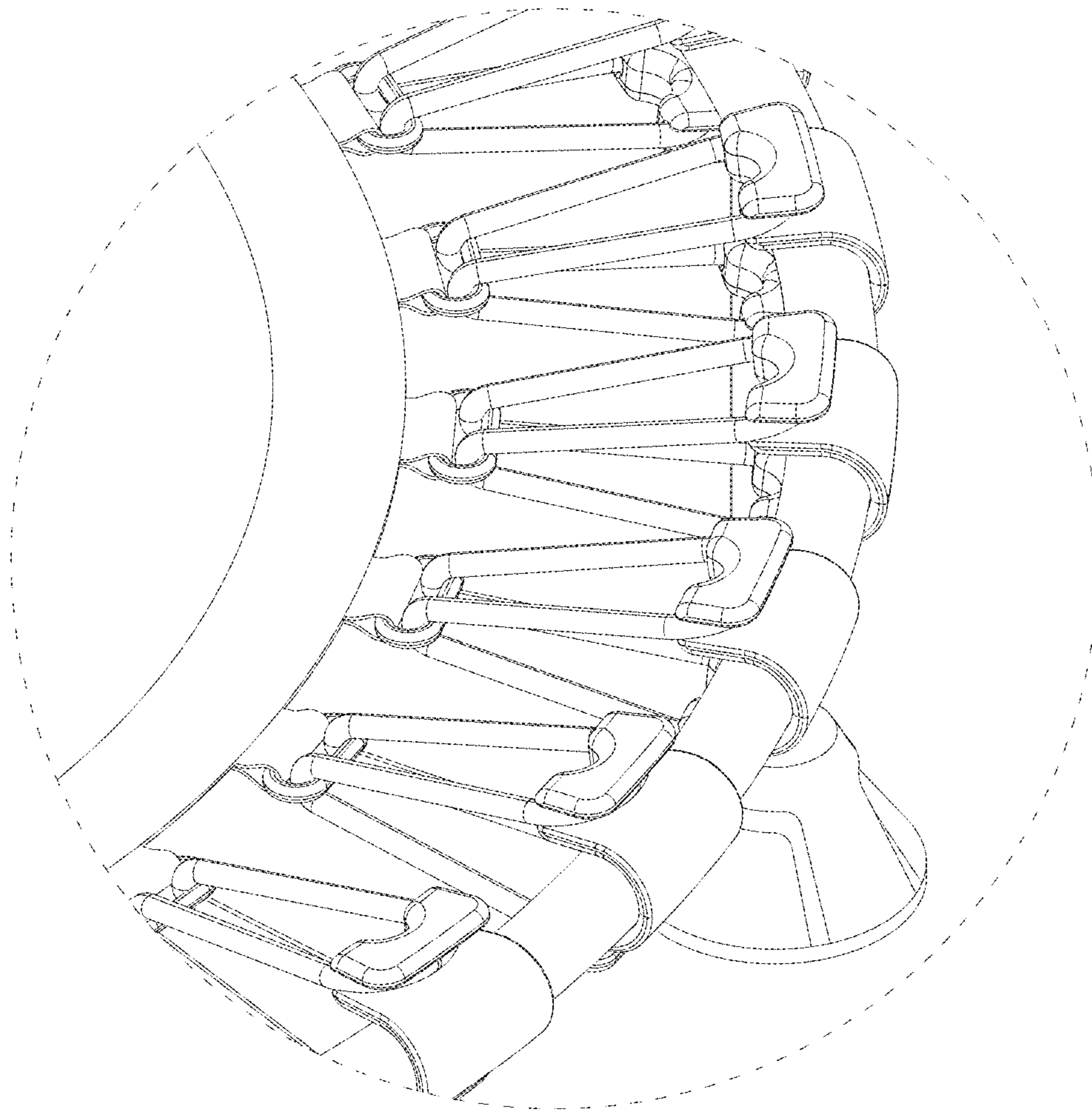


FIG. 8