



US00D920453S

(12) **United States Design Patent**
Cameron

(10) **Patent No.:** **US D920,453 S**

(45) **Date of Patent:** **** May 25, 2021**

(54) **GOLF CLUB HEAD**

(71) Applicant: **Acushnet Company**, Fairhaven, MA (US)

(72) Inventor: **Don T. Cameron**, Carlsbad, CA (US)

(73) Assignee: **Acushnet Company**, Fairhaven, MA (US)

(**) Term: **15 Years**

(21) Appl. No.: **29/708,167**

(22) Filed: **Oct. 3, 2019**

| | | | |
|----------------|---------|------------------|-------------|
| D643,485 S * | 8/2011 | Nicolette | D21/736 |
| D653,718 S * | 2/2012 | Stokke | D21/743 |
| D701,928 S * | 4/2014 | Cameron | D21/736 |
| D715,388 S * | 10/2014 | Serrano | D21/743 |
| D750,186 S * | 2/2016 | Schweigert | D21/746 |
| D774,607 S * | 12/2016 | Serrano | D21/743 |
| D774,610 S * | 12/2016 | Serrano | D21/744 |
| D783,745 S * | 4/2017 | Chen | D21/743 |
| D793,502 S * | 8/2017 | Cardani | D21/743 |
| 9,717,961 B2 * | 8/2017 | Cameron | A63B 53/007 |
| D809,616 S * | 2/2018 | Toulon | D21/736 |
| D824,462 S * | 7/2018 | Bruschi | D21/736 |
| D827,064 S * | 8/2018 | Wypych | D21/743 |
| D837,911 S * | 1/2019 | Bruschi | D21/736 |
| D840,482 S * | 2/2019 | Serrano | D21/736 |
| D842,952 S * | 3/2019 | Schweigert | D21/743 |
| D844,085 S * | 3/2019 | Nicolette | D21/743 |

(Continued)

Related U.S. Application Data

(63) Continuation of application No. 29/668,343, filed on Oct. 30, 2018, now Pat. No. Des. 877,831.

(51) **LOC (13) Cl.** **21-02**

(52) **U.S. Cl.**
USPC **D21/736**

(58) **Field of Classification Search**
USPC D21/736-746, 759
CPC A63B 53/00; A63B 53/04; A63B 53/007;
A63B 53/065; A63B 53/0487; A63B
60/00; A63B 60/46

See application file for complete search history.

(56) **References Cited**

U.S. PATENT DOCUMENTS

| | | | |
|--------------|---------|-----------------|---------|
| D375,131 S * | 10/1996 | Williams | D21/743 |
| D461,514 S * | 8/2002 | Tang | D21/742 |
| D461,861 S * | 8/2002 | Tang | D21/742 |
| D569,460 S * | 5/2008 | Walker | D21/743 |
| D595,370 S * | 6/2009 | Ines | D21/736 |
| D600,295 S * | 9/2009 | Meeks | D21/744 |
| D600,762 S * | 9/2009 | Serrano | D21/743 |
| D606,139 S * | 12/2009 | Ines | D21/736 |
| D607,952 S * | 1/2010 | Demkowski | D21/743 |
| D638,891 S * | 5/2011 | Nicolette | D21/736 |

FOREIGN PATENT DOCUMENTS

JP 2015058358 A * 3/2015

Primary Examiner — Mitchell I. Siegel

(74) *Attorney, Agent, or Firm* — Randy K. Chang

(57) **CLAIM**

The ornamental design for golf club head, as shown and described.

DESCRIPTION

FIG. 1 is a perspective top view of my new design for a golf club head;

FIG. 2 is a top view thereof;

FIG. 3 is a front view thereof;

FIG. 4 is a bottom sole view thereof;

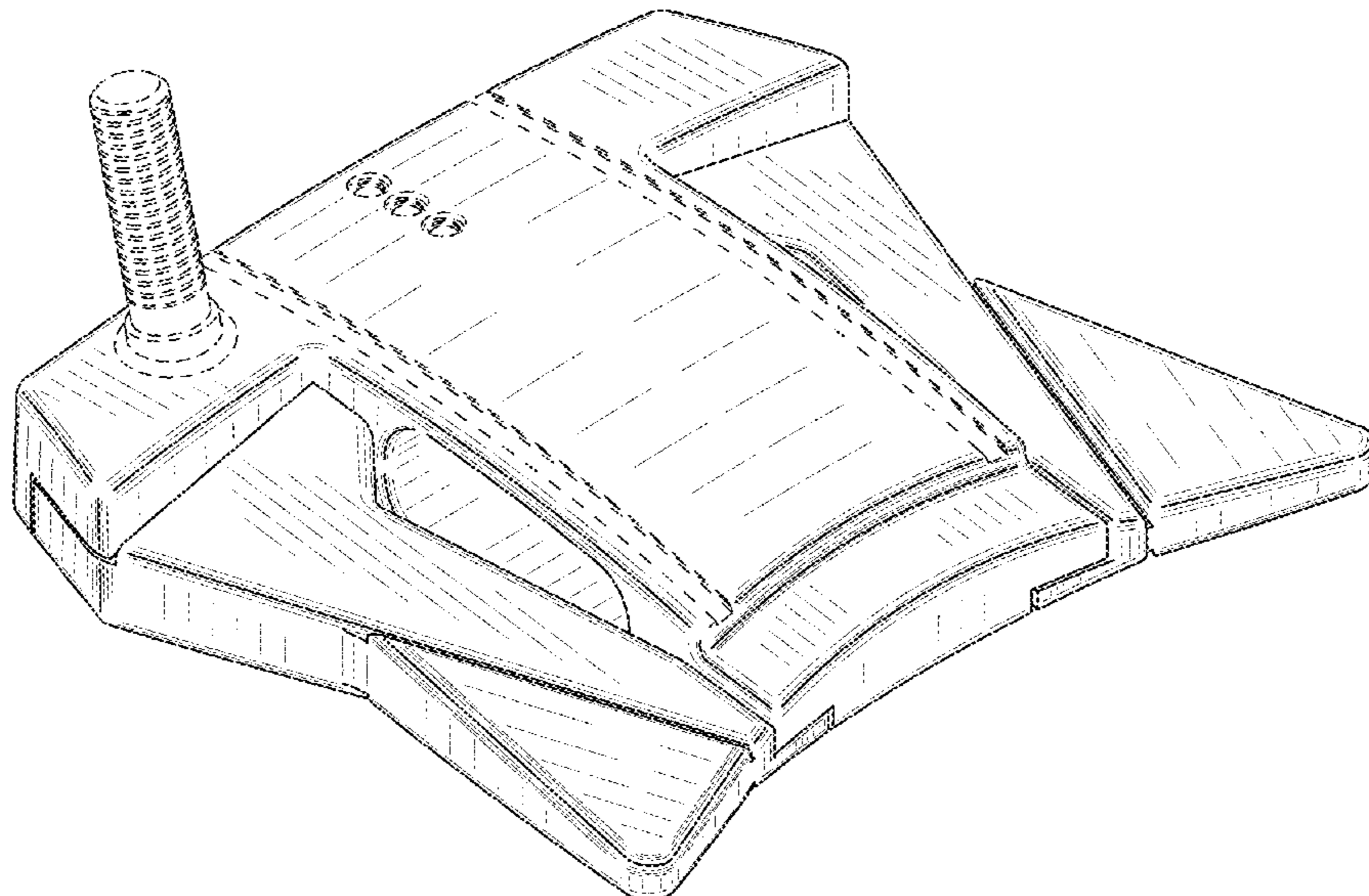
FIG. 5 is a back thereof;

FIG. 6 is a toe side view thereof; and,

FIG. 7 is a heel side view thereof.

The broken lines shown on the drawing figures form no part of the claimed design.

1 Claim, 4 Drawing Sheets



(56)

References Cited

U.S. PATENT DOCUMENTS

| | | | | |
|--------------|------|---------|------------------|-------------------------|
| D844,723 | S * | 4/2019 | Nicolette | D21/743 |
| D848,562 | S * | 5/2019 | Nicolette | D21/736 |
| D859,545 | S * | 9/2019 | Long | D21/736 |
| D861,091 | S * | 9/2019 | Glorioso | D21/743 |
| D861,092 | S * | 9/2019 | Glorioso | D21/743 |
| D864,325 | S * | 10/2019 | Rollinson | D21/743 |
| D867,496 | S * | 11/2019 | Cameron | D21/736 |
| D877,829 | S * | 3/2020 | Cameron | D21/736 |
| D877,830 | S * | 3/2020 | Cameron | D21/736 |
| D877,831 | S * | 3/2020 | Cameron | D21/736 |
| D892,243 | S * | 8/2020 | Rollinson | D21/743 |
| D895,037 | S * | 9/2020 | Clarke | D21/736 |
| D896,328 | S * | 9/2020 | Clarke | D21/743 |
| D903,799 | S * | 12/2020 | Cameron | D21/743 |
| D907,730 | S * | 1/2021 | Rollinson | D21/759 |
| D909,504 | S * | 2/2021 | Schweigert | D21/736 |
| 2010/0184527 | A1 * | 7/2010 | Demkowski | A63B 53/04 473/251 |
| 2015/0080147 | A1 * | 3/2015 | Cameron | A63B 53/0487 473/340 |
| 2015/0335966 | A1 * | 11/2015 | Cameron | A63B 53/0487 473/219 |

* cited by examiner

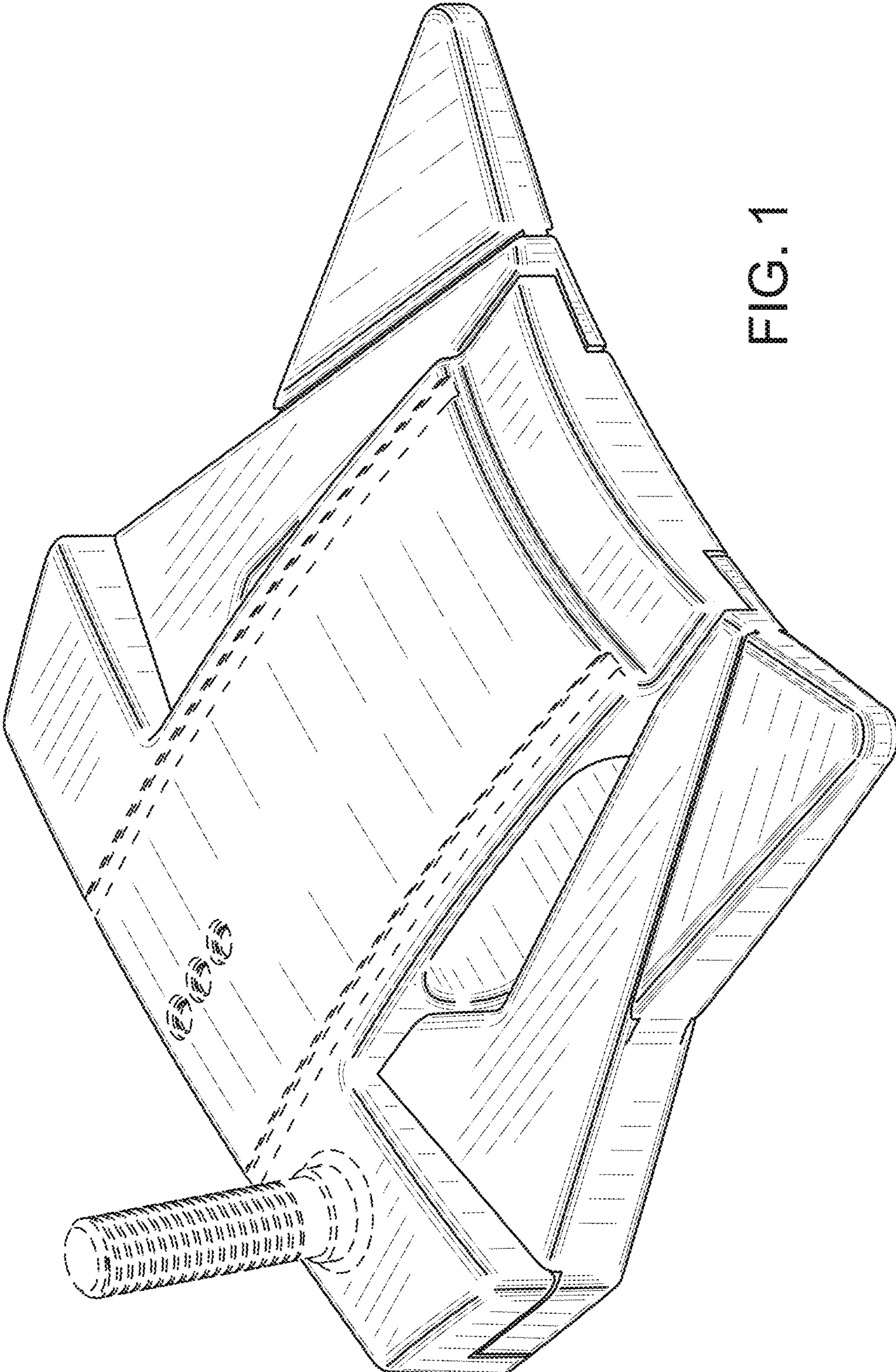


FIG. 1

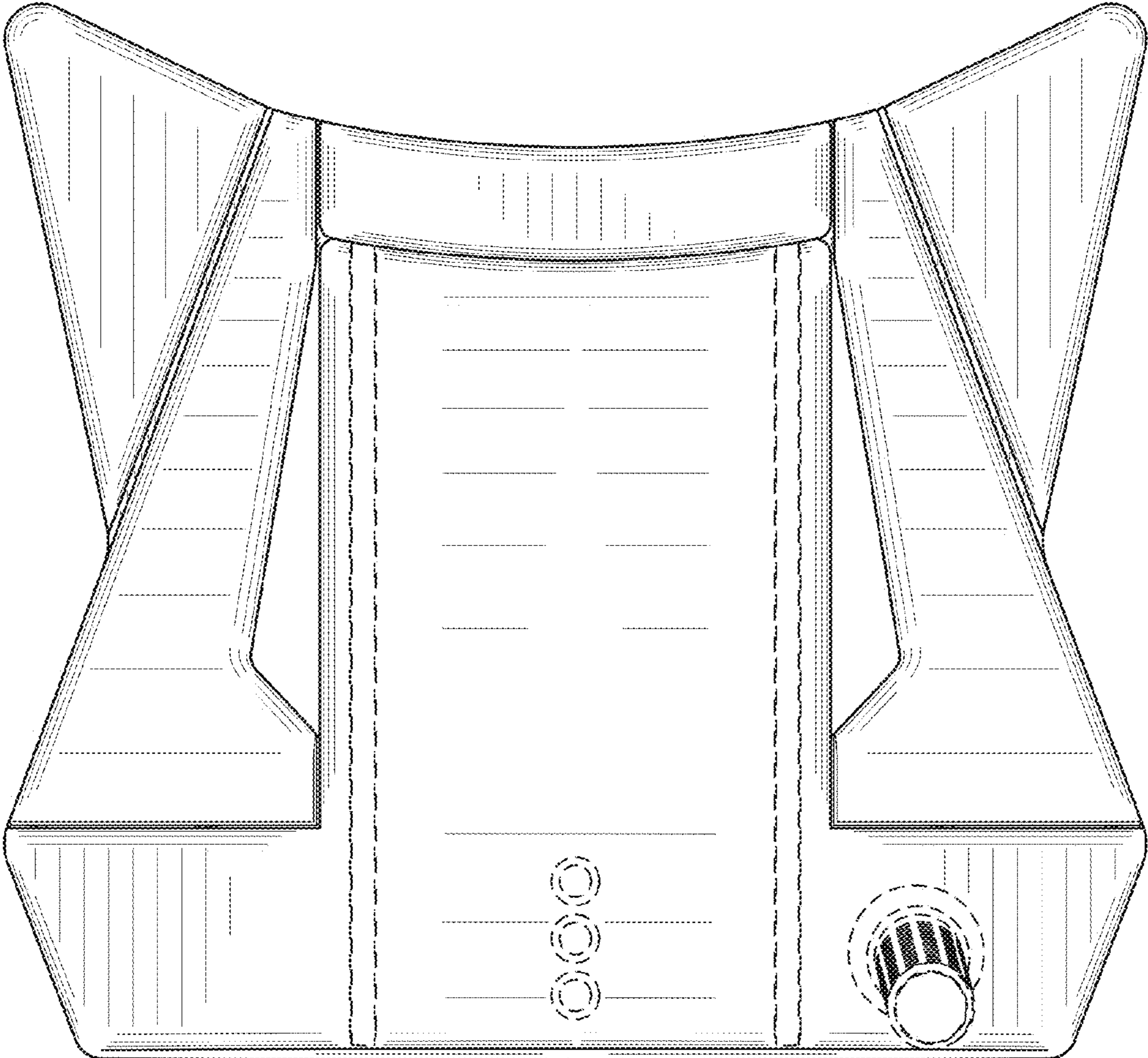


FIG. 2

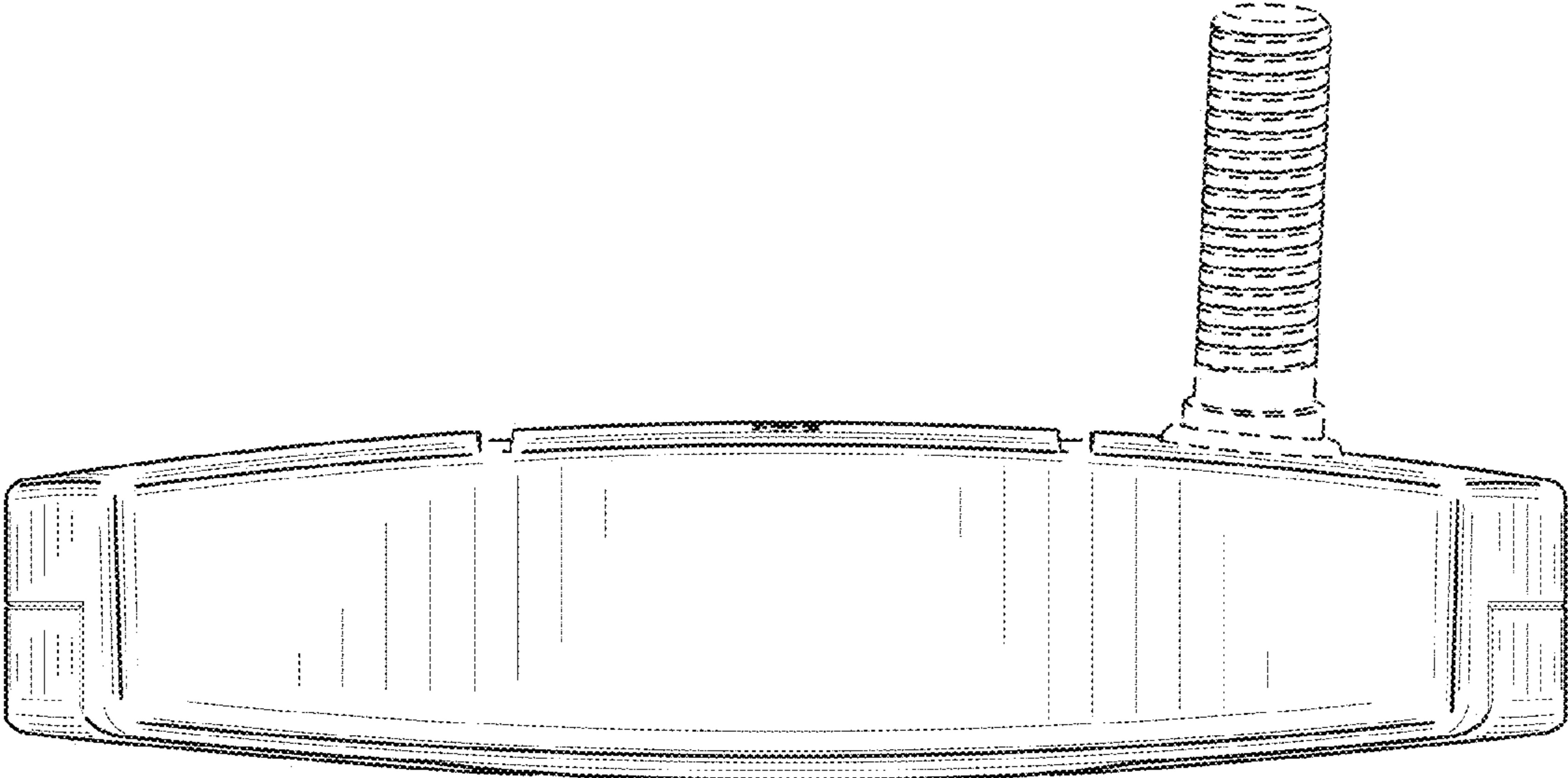


FIG. 3

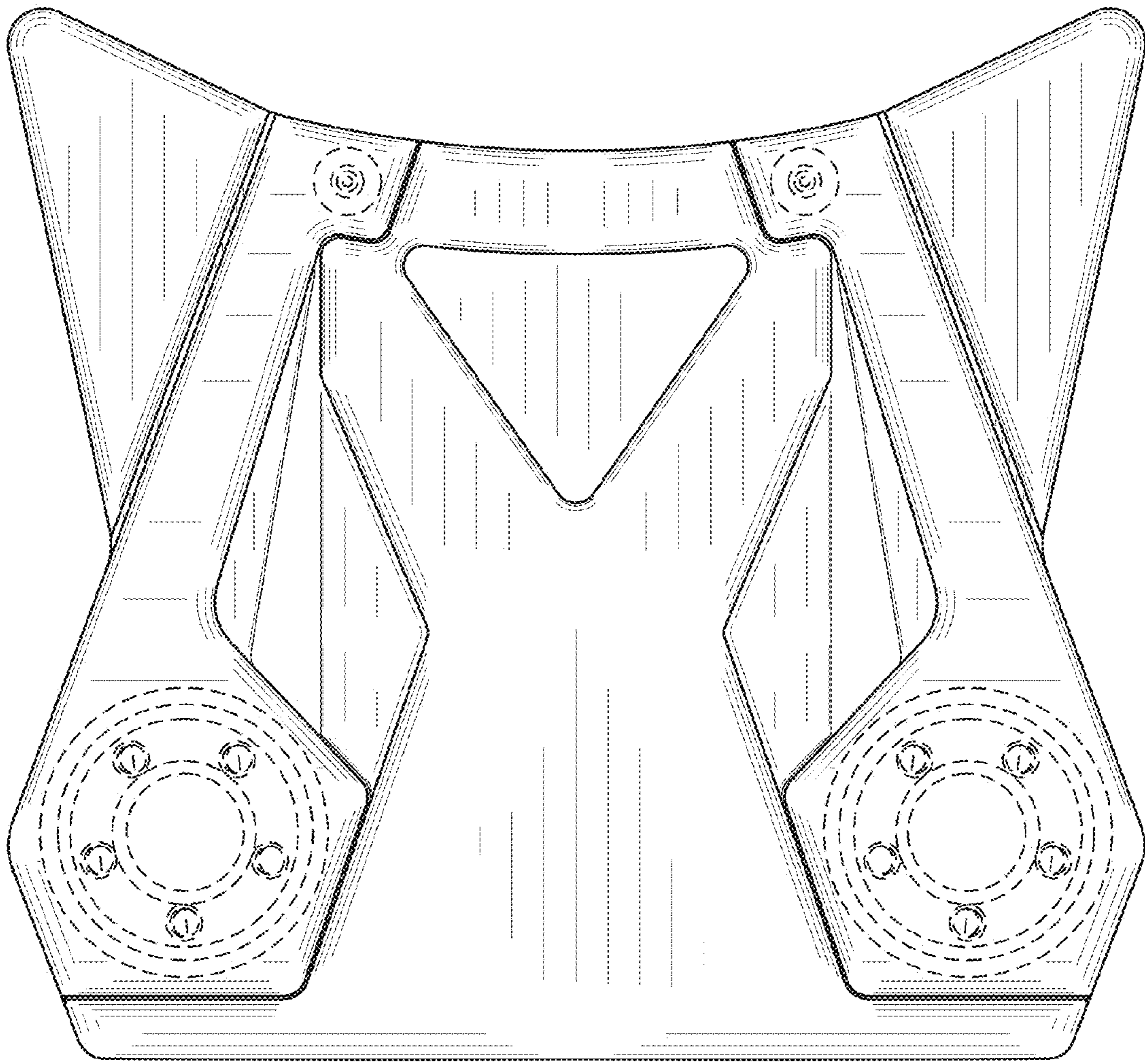


FIG. 4

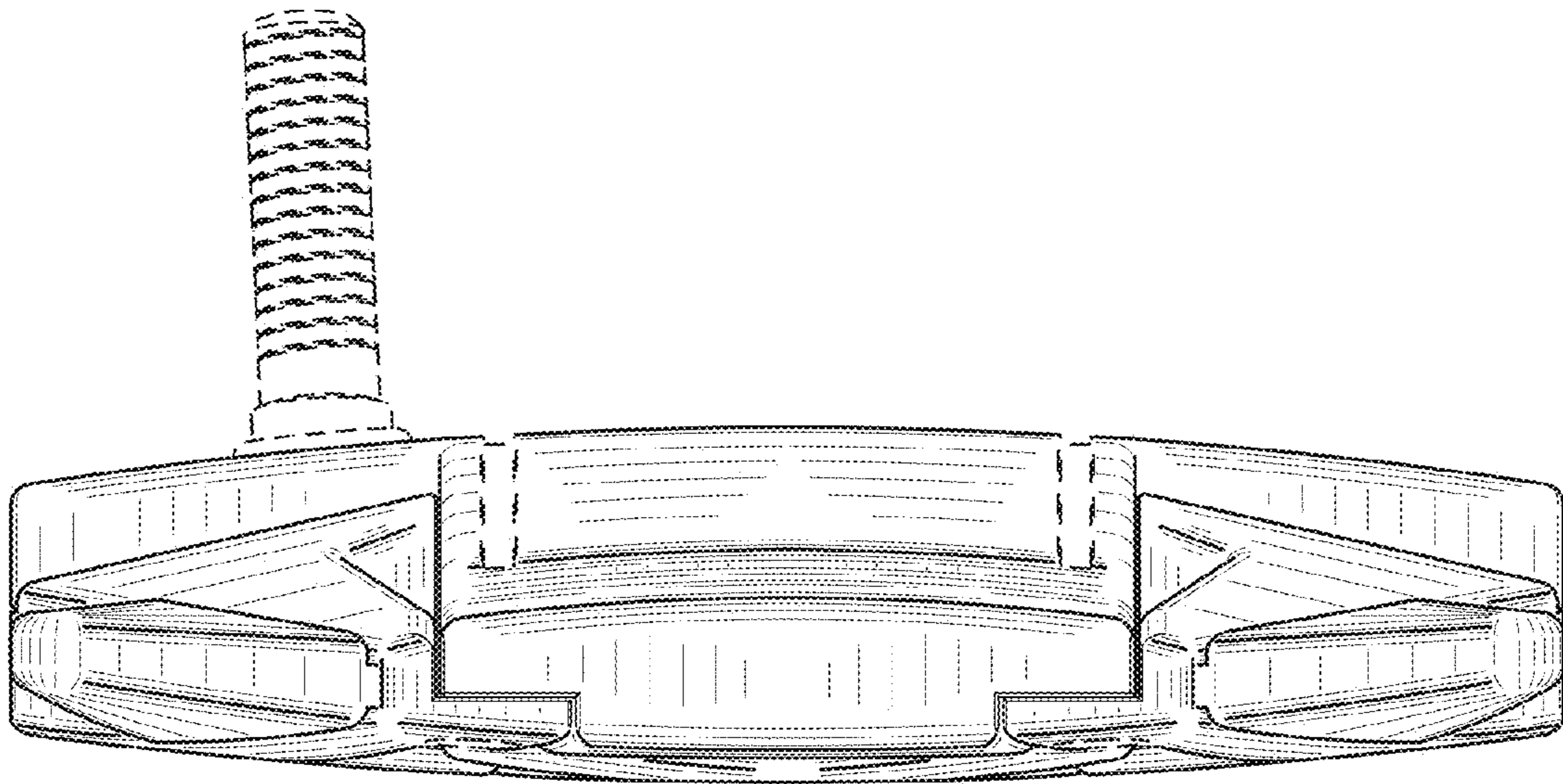


FIG. 5

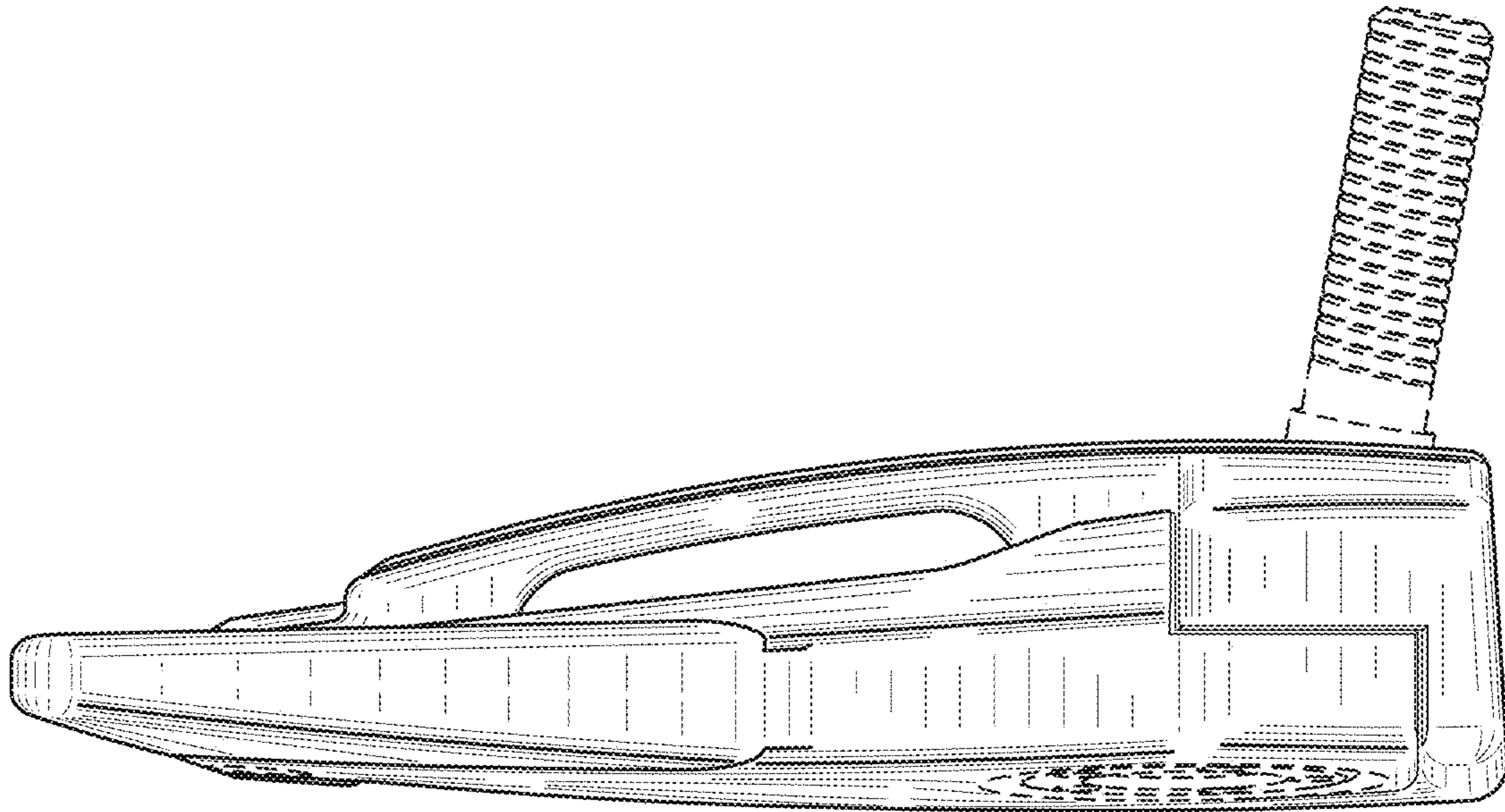


FIG. 6

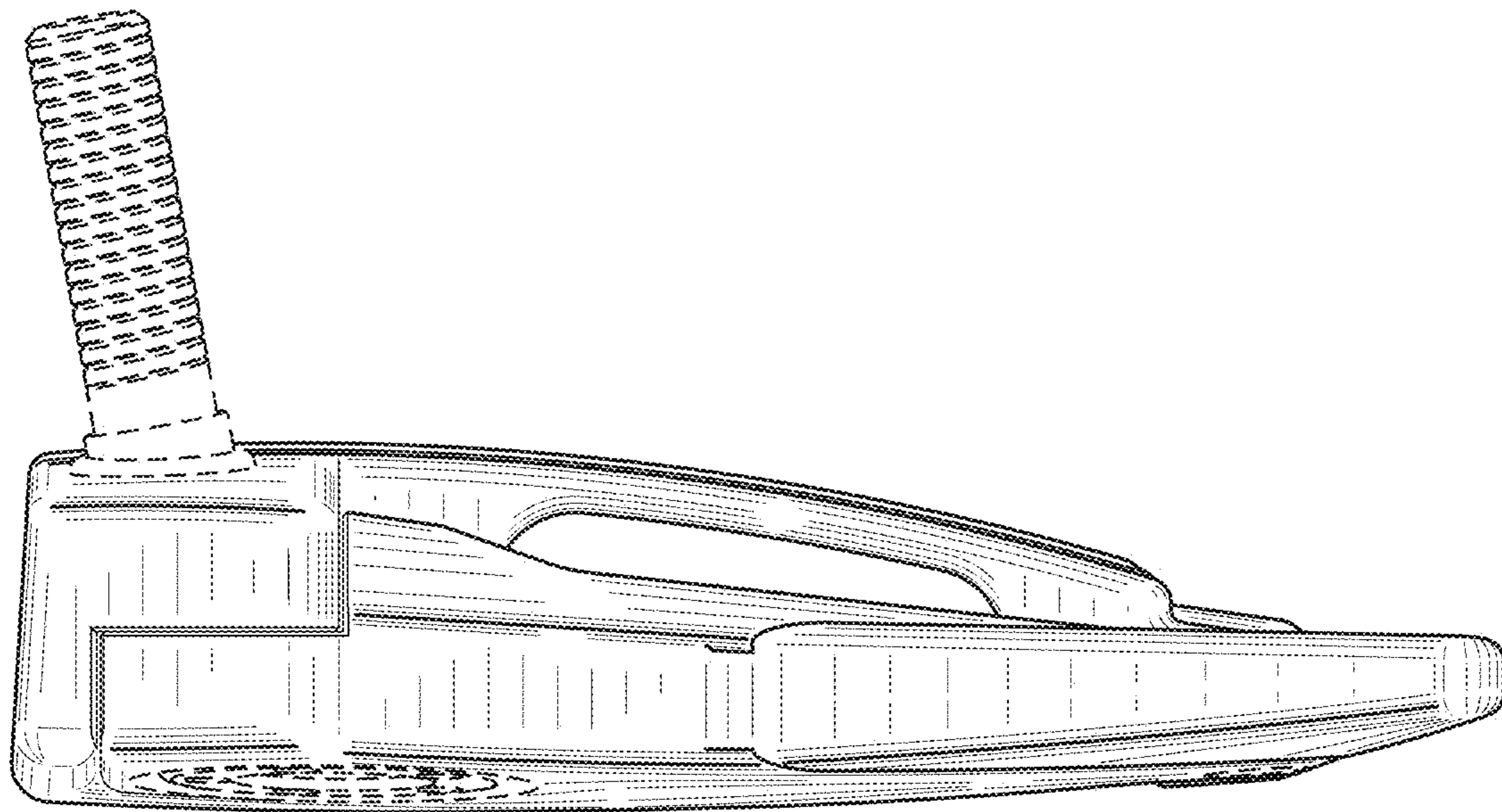


FIG. 7