



US00D920451S

(12) **United States Design Patent**
McGrotty et al.

(10) **Patent No.:** **US D920,451 S**

(45) **Date of Patent:** **** May 25, 2021**

(54) **ACCESSORY FOR WEIGHTLIFTING EQUIPMENT**

(71) Applicant: **Rep Fitness, LLC**, Boulder, CO (US)

(72) Inventors: **Ryan James McGrotty**, Broomfield, CO (US); **Shane McGrotty**, TBD, CO (US); **Sam Pizer**, TBD, CO (US)

(**) Term: **15 Years**

(21) Appl. No.: **29/703,938**

(22) Filed: **Aug. 30, 2019**

(51) **LOC (13) Cl.** **21-02**

(52) **U.S. Cl.**
USPC **D21/686**; D21/694; D21/673

(58) **Field of Classification Search**
USPC D21/686, 673, 680, 684, 694, 692, 674, D21/665; D8/360; D14/452, 447; D12/203; 482/99, 98, 94, 93, 92, 91, 6, 482/50, 46, 45, 44, 38, 140, 135, 129, 482/127, 125, 123, 121, 120, 115, 104, 482/101

CPC A63B 2225/093; A63B 21/4035; A63B 21/078; A63B 21/154; A63B 21/0626; A63B 21/153; A63B 23/14

See application file for complete search history.

(56) **References Cited**

U.S. PATENT DOCUMENTS

- 4,339,125 A * 7/1982 Uyeda A63B 21/0628 482/98
- 4,907,798 A * 3/1990 Burchatz A63B 21/06 482/104
- 5,688,216 A * 11/1997 Mauriello A63B 21/154 482/101
- 5,954,619 A * 9/1999 Petrone A63B 71/0036 482/104
- 5,971,897 A * 10/1999 Olson A63B 21/0626 482/101
- D437,370 S * 2/2001 Webber D21/686

- D438,267 S * 2/2001 Webber D21/686
 - 6,217,483 B1 * 4/2001 Kallassy A63B 21/068 482/38
 - 6,220,988 B1 * 4/2001 Williams A63B 23/12 482/108
 - 6,261,205 B1 * 7/2001 Elefson A63B 21/00181 482/135
 - D495,380 S * 8/2004 Ceppo D21/686
- (Continued)

OTHER PUBLICATIONS

Belt Squat by Rep Fitness dated Jul. 9, 2020. Found online [Jan. 7, 2021] <https://www.youtube.com/watch?v=9wn6IYVKtXY> (Year: 2020).*

Primary Examiner — Ryan Harvey

(74) *Attorney, Agent, or Firm* — Merchant & Gould P.C.

(57) **CLAIM**

The ornamental design for an accessory for weightlifting equipment, as shown and described.

DESCRIPTION

FIG. 1 is a top perspective view of an accessory for weightlifting equipment showing the new design.

FIG. 2 is a front view of the accessory for weightlifting equipment of FIG. 1.

FIG. 3 is a back view of the accessory for weightlifting equipment of FIG. 1.

FIG. 4 is a right side view of the accessory for weightlifting equipment of FIG. 1.

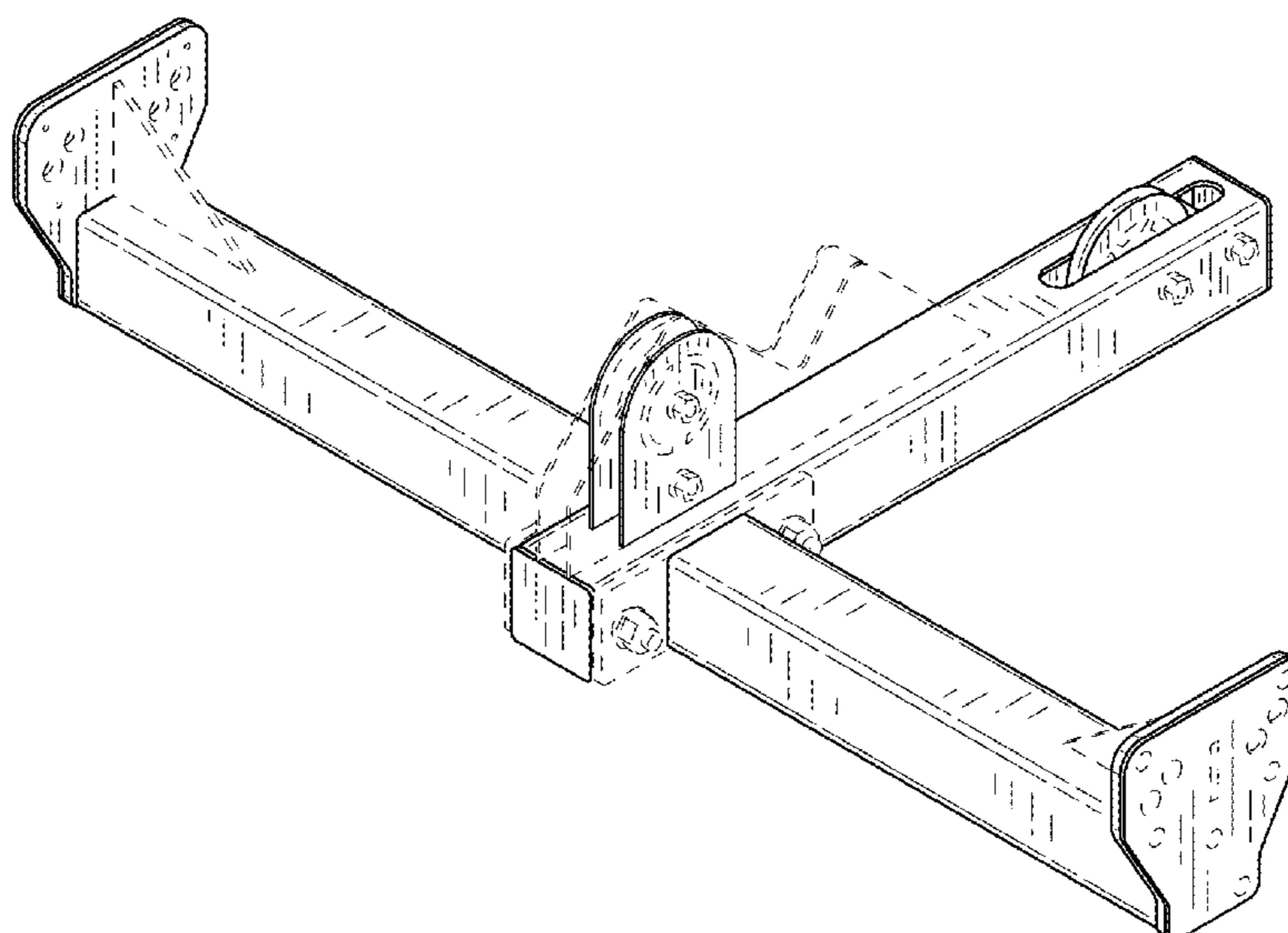
FIG. 5 is a left side view of the accessory for weightlifting equipment of FIG. 1.

FIG. 6 is a top view of the accessory for weightlifting equipment of FIG. 1; and,

FIG. 7 is a bottom view of the accessory for weightlifting equipment of FIG. 1.

The broken lines depict portions of the accessory for weightlifting equipment that form no part of the claimed design.

1 Claim, 7 Drawing Sheets



(56)

References Cited

U.S. PATENT DOCUMENTS

D502,515 S * 3/2005 Carter D21/686
 D504,164 S * 4/2005 Ceppo D21/686
 D557,758 S * 12/2007 Fedriga D21/694
 D629,472 S * 12/2010 Rhodes D21/686
 8,876,675 B2 * 11/2014 Califano A63B 21/4015
 482/121
 9,011,301 B2 * 4/2015 Balandis A63B 21/0056
 482/115
 D734,410 S * 7/2015 Childs D21/686
 D735,820 S * 8/2015 Alenaddaf D21/686
 D735,821 S * 8/2015 Alenaddaf D21/686
 D737,387 S * 8/2015 De Siqueira Indio da Costa
 D21/694
 9,192,799 B2 * 11/2015 Alenaddaf A63B 71/0036
 D746,387 S * 12/2015 Alessandri D21/673
 D755,908 S * 5/2016 James D21/686
 D757,189 S * 5/2016 Colburn D21/665
 9,327,161 B1 * 5/2016 Maher A63B 21/078
 D788,861 S * 6/2017 Campanaro D21/674
 9,669,251 B2 * 6/2017 Jones-Guinasso
 A63B 21/4035
 D803,126 S * 11/2017 Foley D12/203
 D806,808 S * 1/2018 Gregory D21/686
 D808,475 S * 1/2018 Meredith D21/686
 9,895,572 B2 * 2/2018 Donato A63B 21/0726
 D818,547 S * 5/2018 Meredith D21/686
 D841,014 S * 2/2019 Laudadio D14/447
 10,293,206 B2 * 5/2019 Kamins A63B 23/0488
 D852,291 S * 6/2019 Meredith D21/694
 D852,907 S * 7/2019 Sergakis D21/686
 D853,404 S * 7/2019 Bowman D14/452

D854,637 S * 7/2019 Adams D21/686
 D883,406 S * 5/2020 Sergakis D21/686
 D888,850 S * 6/2020 Smith, Jr. D21/686
 D893,639 S * 8/2020 Henniger D21/673
 D896,326 S * 9/2020 Adams D21/686
 D898,137 S * 10/2020 Carmichael D21/686
 10,792,532 B1 * 10/2020 Hall A63B 21/4009
 D903,793 S * 12/2020 Henniger D21/694
 2003/0115955 A1 * 6/2003 Keiser A63B 21/155
 73/379.06
 2005/0202941 A1 * 9/2005 Vaes A63B 21/0632
 482/94
 2008/0312051 A1 * 12/2008 Manyseng A63B 9/00
 482/92
 2013/0035220 A1 * 2/2013 Adams A63B 21/156
 482/129
 2013/0296146 A1 * 11/2013 Staten A63B 21/00069
 482/120
 2015/0159804 A1 * 6/2015 Bowman F16M 11/045
 248/122.1
 2015/0352395 A1 * 12/2015 Gregory A63B 23/03558
 482/123
 2017/0246496 A1 * 8/2017 Nelson A63B 21/0783
 2017/0246504 A1 * 8/2017 Simmons A63B 21/00065
 2018/0117382 A1 * 5/2018 Johanson A63B 21/00047
 2018/0353795 A1 * 12/2018 Ostmeyer A63B 23/035
 2019/0240521 A1 * 8/2019 Staten A63B 17/04
 2019/0269992 A1 * 9/2019 Dunahay A47F 5/01
 2019/0275363 A1 * 9/2019 Jones A63B 23/03508
 2020/0038704 A1 * 2/2020 Adams A63B 21/0724
 2020/0114195 A1 * 4/2020 Henniger A63B 21/08
 2020/0179744 A1 * 6/2020 Arroyo A63B 21/0626

* cited by examiner

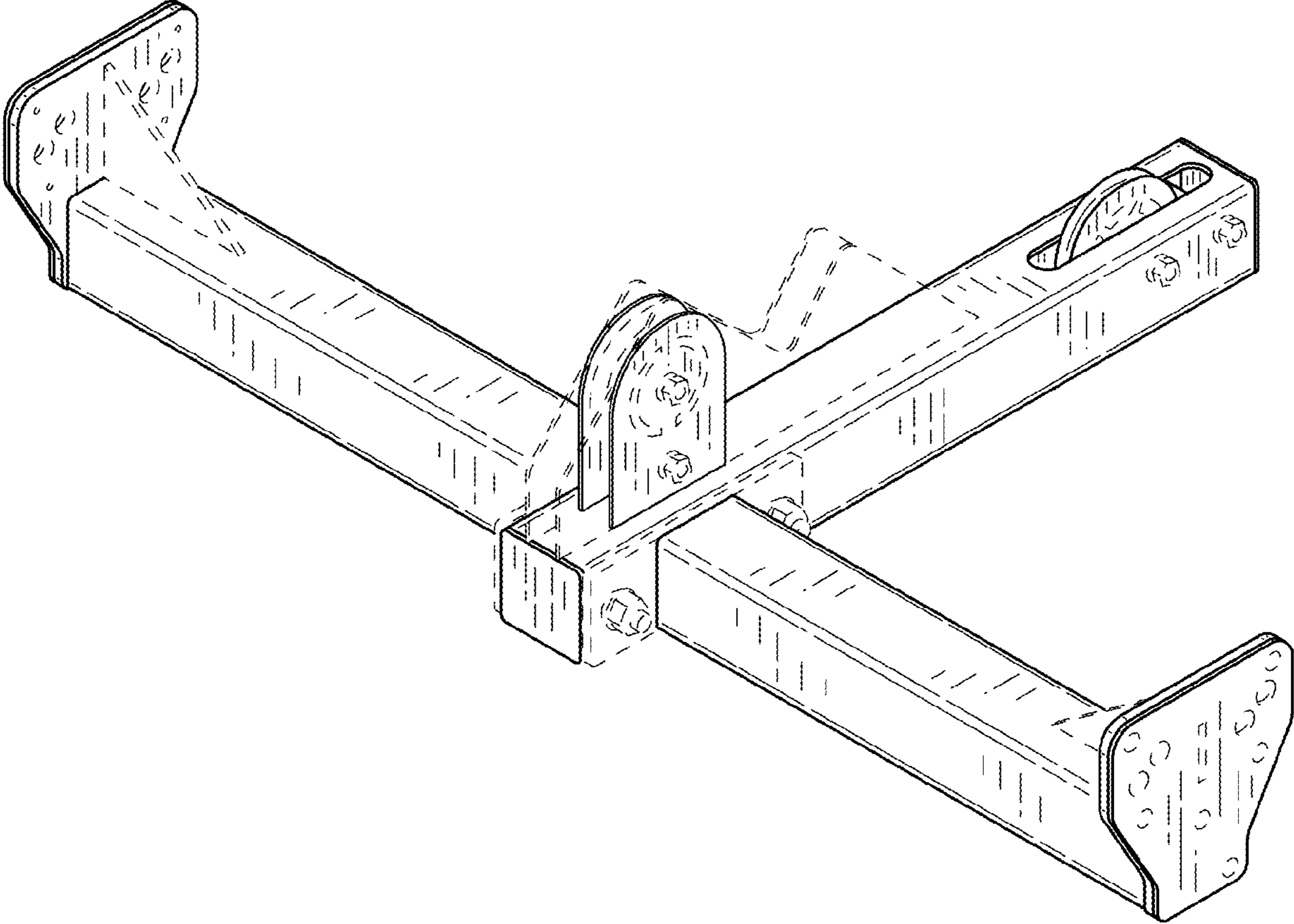


FIG. 1

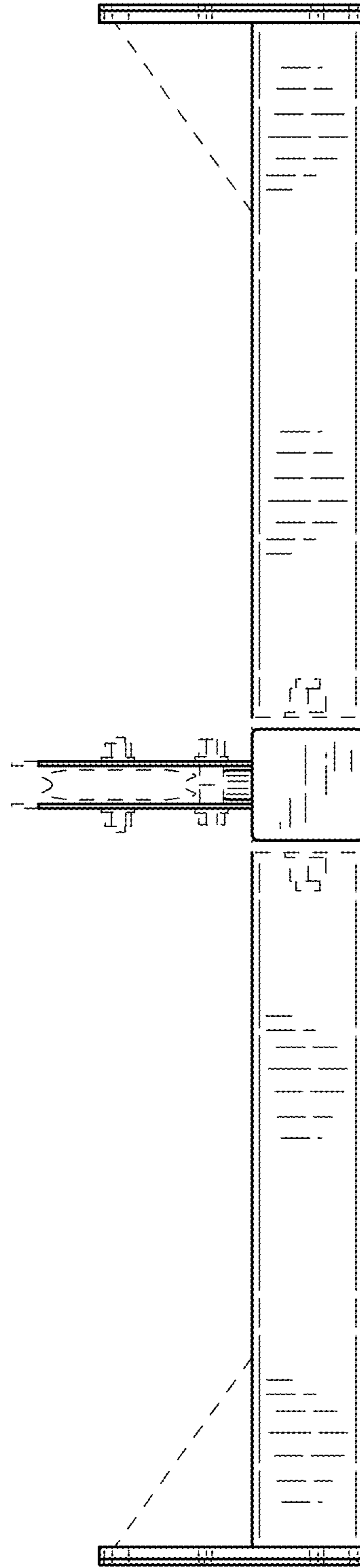


FIG.2

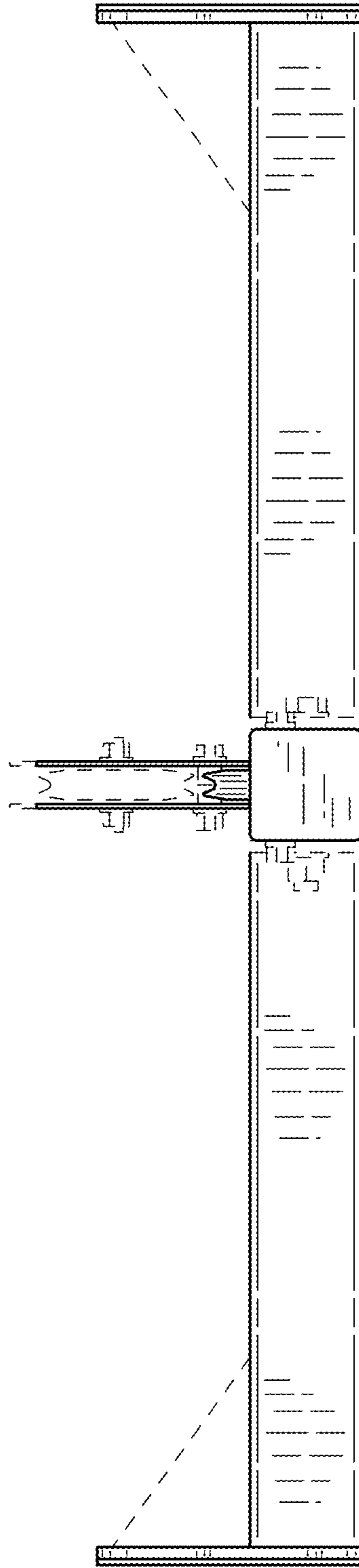


FIG.3

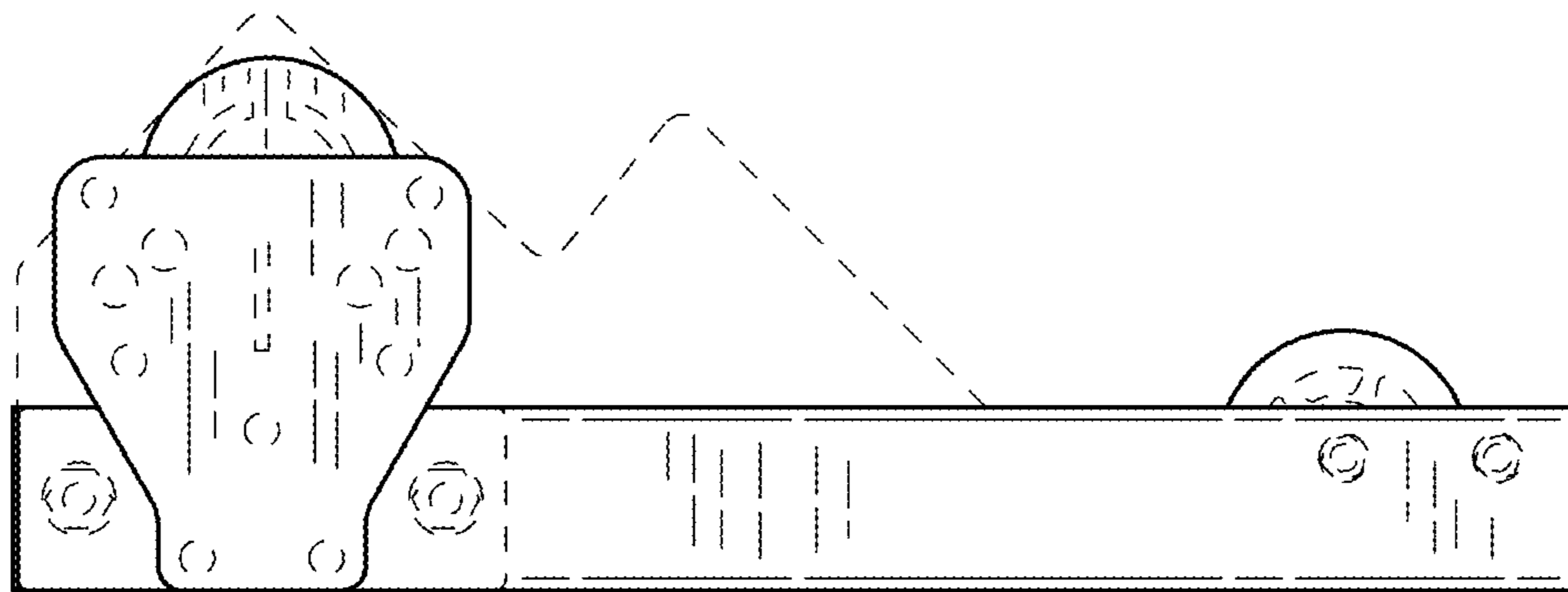


FIG.4

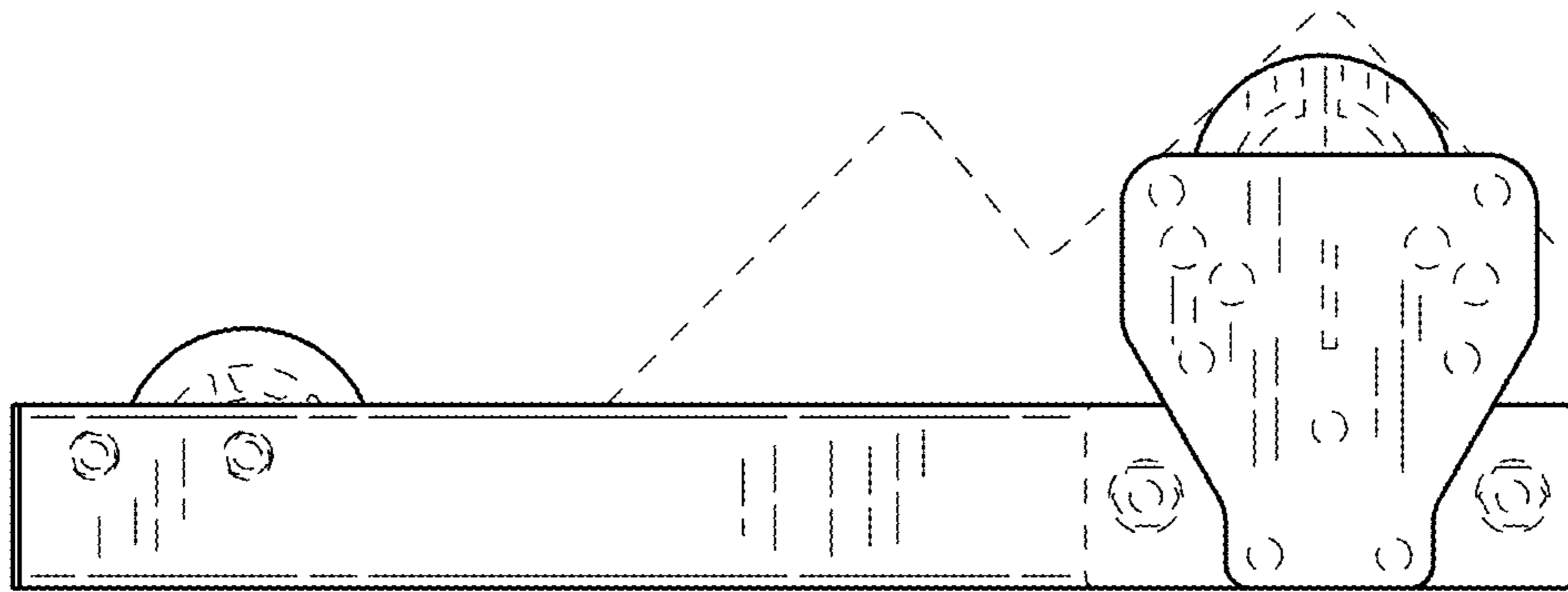


FIG.5

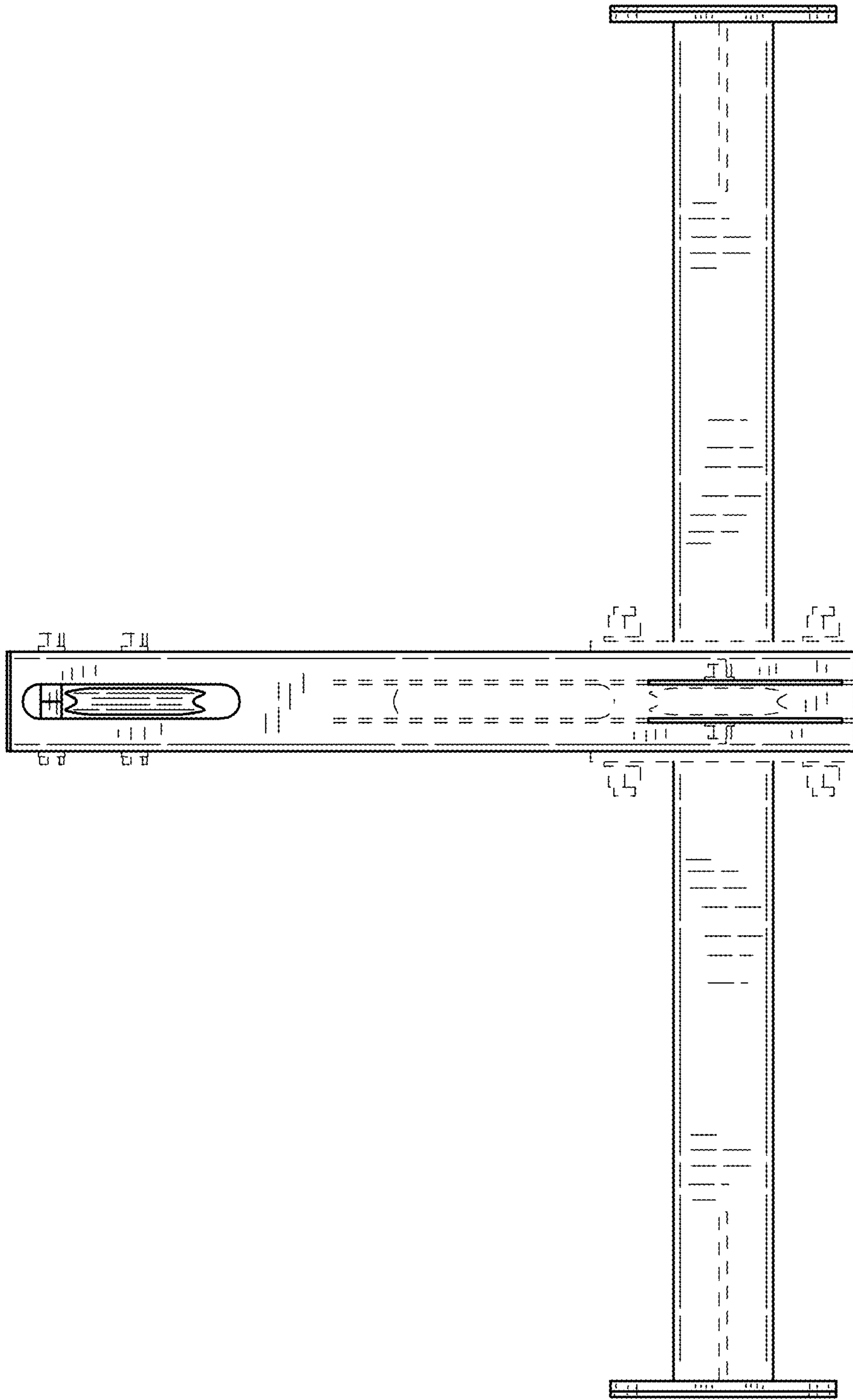


FIG.6

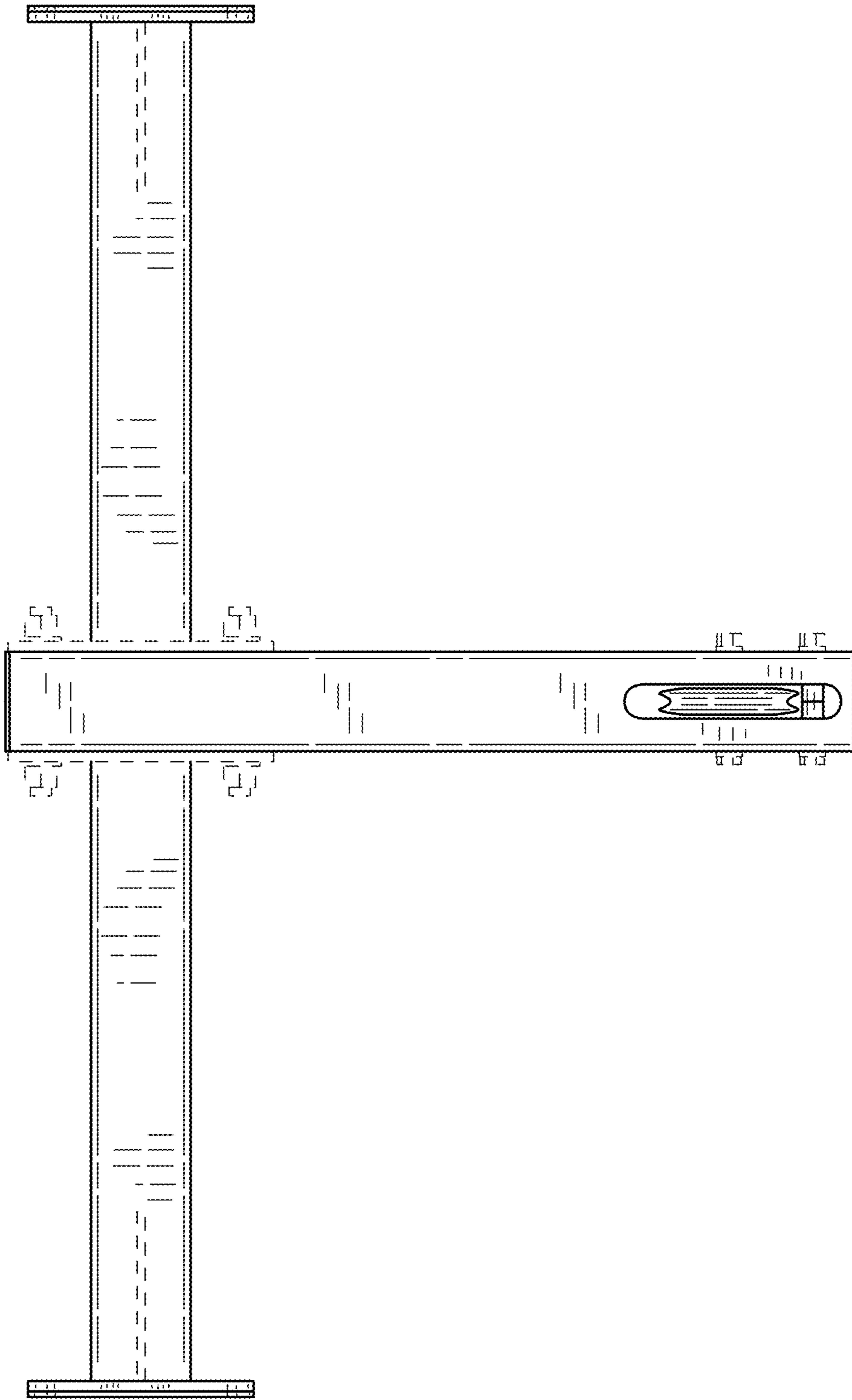


FIG.7