



US00D920450S

(12) **United States Design Patent**
Summers

(10) **Patent No.:** **US D920,450 S**

(45) **Date of Patent:** **** May 25, 2021**

(54) **FOOT HOLD APPARATUS FOR SIT-UPS**

(71) Applicant: **Suzanna Rhoda Summers**, Waco, TX
(US)

(72) Inventor: **Suzanna Rhoda Summers**, Waco, TX
(US)

(**) Term: **15 Years**

(21) Appl. No.: **29/716,269**

(22) Filed: **Dec. 9, 2019**

(51) **LOC (13) Cl.** **21-02**

(52) **U.S. Cl.**
USPC **D21/685**

(58) **Field of Classification Search**
USPC D21/662, 681, 682, 685, 686, 694, 680,
D21/684, 679, 678
CPC A63B 21/072; A63B 23/12; A63B 21/06;
A63B 21/0601; A63B 21/075; A63B
23/1236; A63B 21/00094
See application file for complete search history.

(56) **References Cited**

U.S. PATENT DOCUMENTS

4,822,035	A *	4/1989	Jennings	A63B 21/0724 482/106
D325,968	S *	5/1992	Nofsinger	D21/685
D653,714	S *	2/2012	Meininger	D21/662
8,905,905	B2 *	12/2014	Mangalindan	A63B 23/1236 482/141
9,827,477	B2 *	11/2017	Stacey	A63B 21/068
9,931,535	B2 *	4/2018	Smith	A63B 21/4027
2014/0141949	A1 *	5/2014	Mills	A63B 21/4033 482/140

2014/0349817	A1 *	11/2014	Yang	A63B 23/03541 482/52
2015/0190668	A1 *	7/2015	Ferdinandson, II	.	A63B 21/012 482/93
2016/0303417	A1 *	10/2016	Annino	A63B 23/08
2017/0056745	A1 *	3/2017	Stacey	A63B 21/0084
2017/0072251	A1 *	3/2017	Fuzell-Casey	A63B 23/1209
2017/0216651	A1 *	8/2017	Weber	A63B 21/4043
2019/0351277	A1 *	11/2019	Bassoo	A63B 21/4007
2020/0069996	A1 *	3/2020	Cheng	A63B 21/4035

* cited by examiner

Primary Examiner — Khawaja Anwar

Assistant Examiner — Julice Seung Eun Oum

(74) *Attorney, Agent, or Firm* — Kandace D. Walter

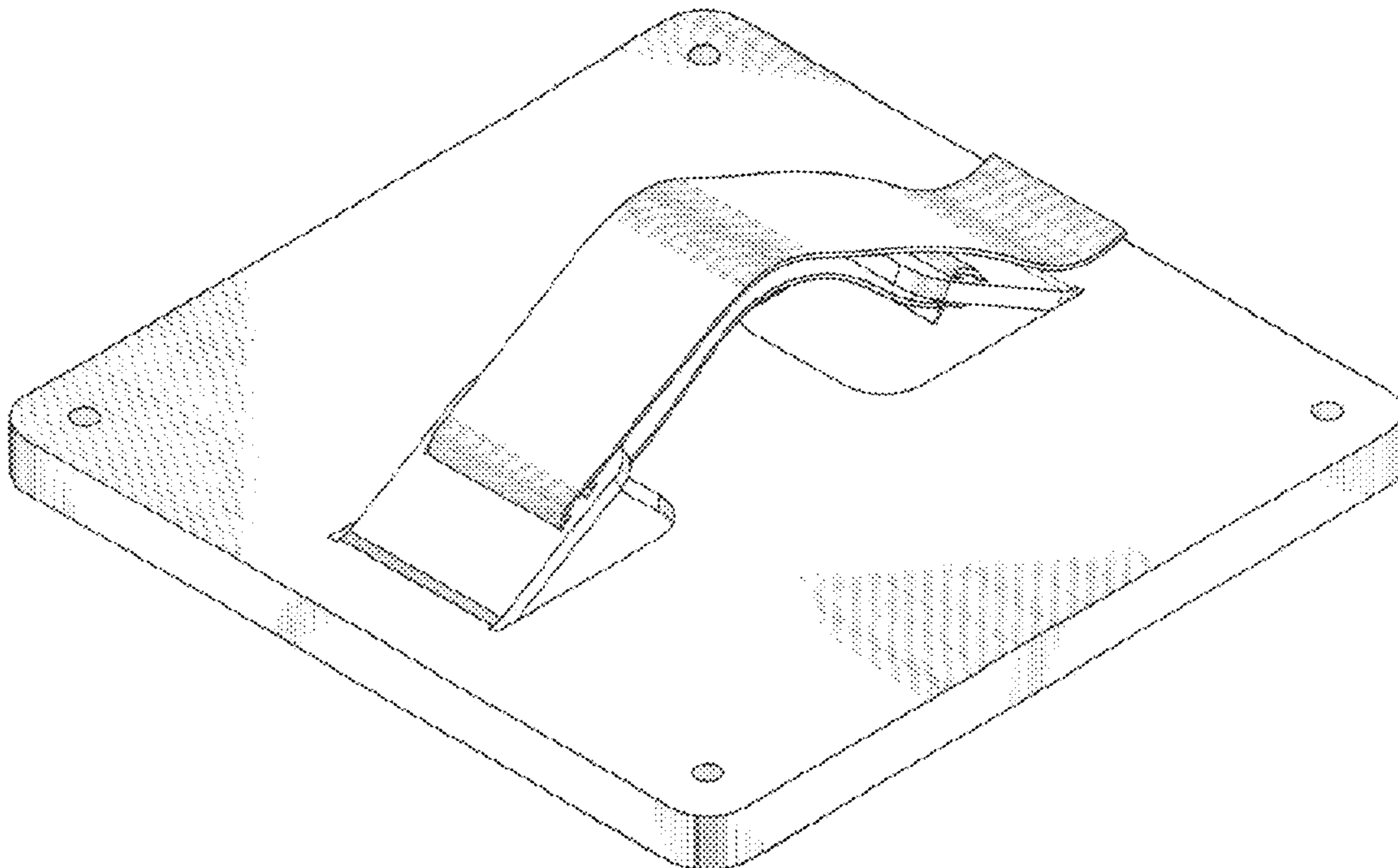
(57) **CLAIM**

The ornamental design for a foot hold apparatus for sit-ups, as shown and described.

DESCRIPTION

FIG. 1 is a perspective view of a foothold apparatus for sit-ups, of the present invention;
 FIG. 2 is a front view of a foot hold apparatus for sit-ups of FIG. 1;
 FIG. 3 is a rear view of a foot hold apparatus for sit-ups of FIG. 1;
 FIG. 4 is a left side view of a foot hold apparatus for sit-ups of FIG. 1;
 FIG. 5 is a right side view of a foot hold apparatus for sit-ups of FIG. 1;
 FIG. 6 is a top view of a foot hold apparatus for sit-ups of FIG. 1; and,
 FIG. 7 is a bottom view of a foot hold apparatus for sit-ups of FIG. 1.

1 Claim, 7 Drawing Sheets



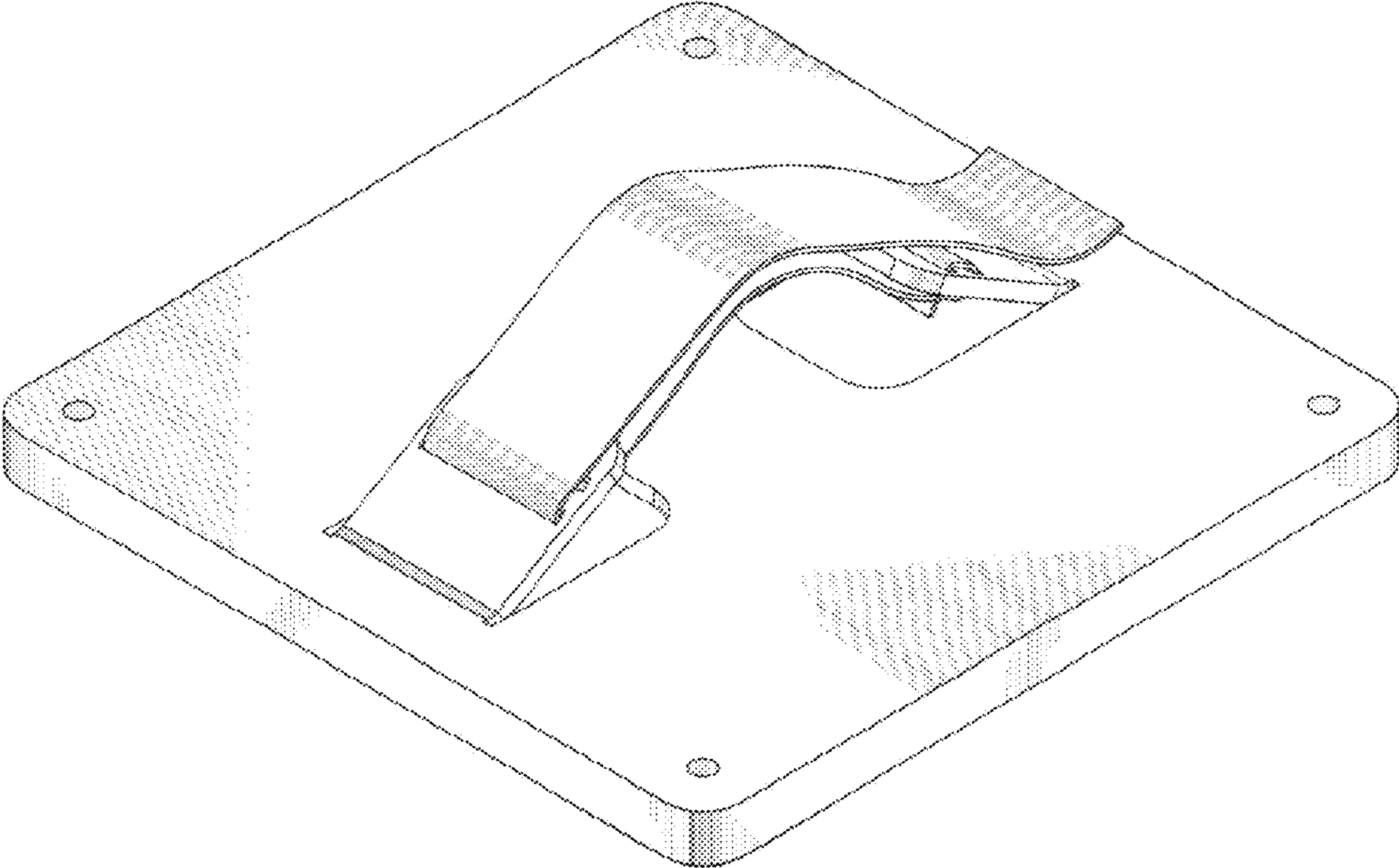


FIG. 1

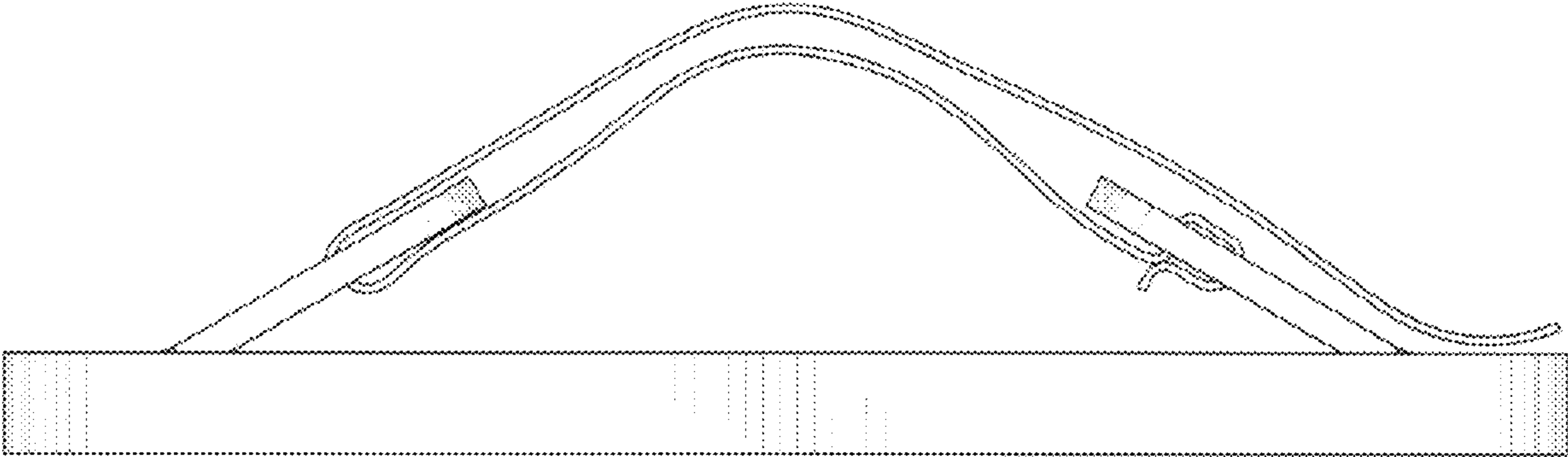


FIG. 2

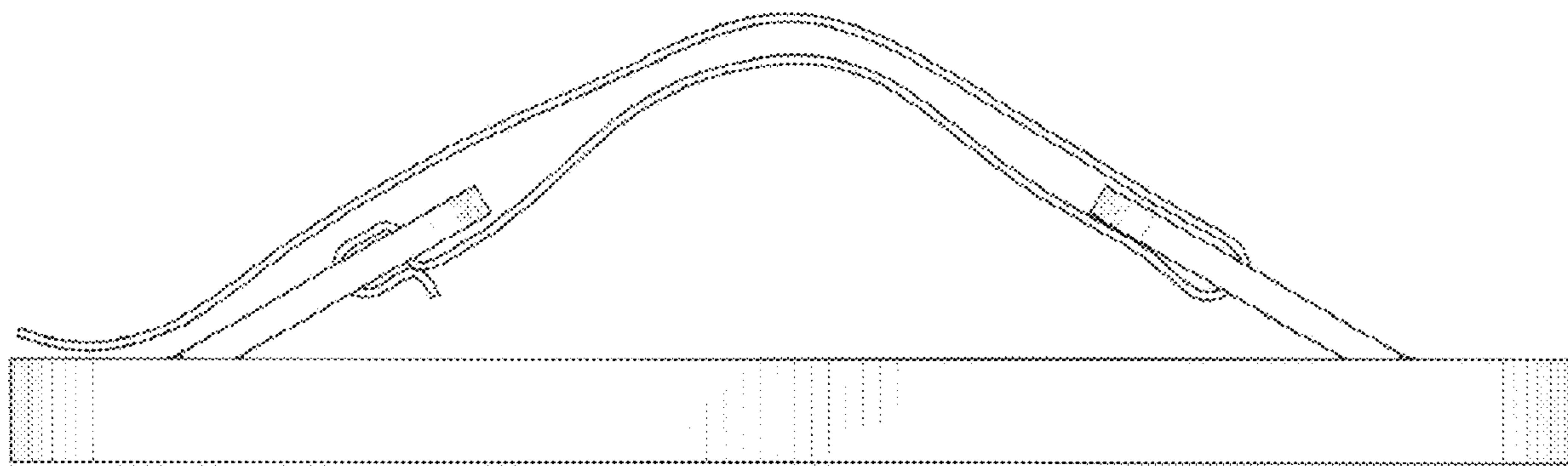


FIG. 3

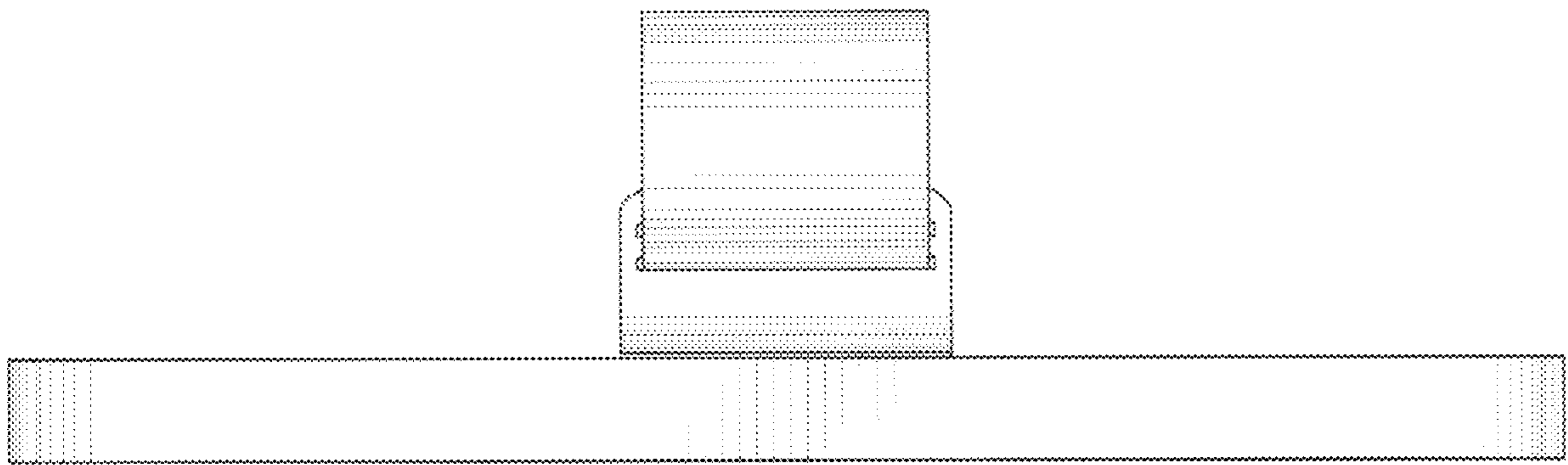


FIG. 4

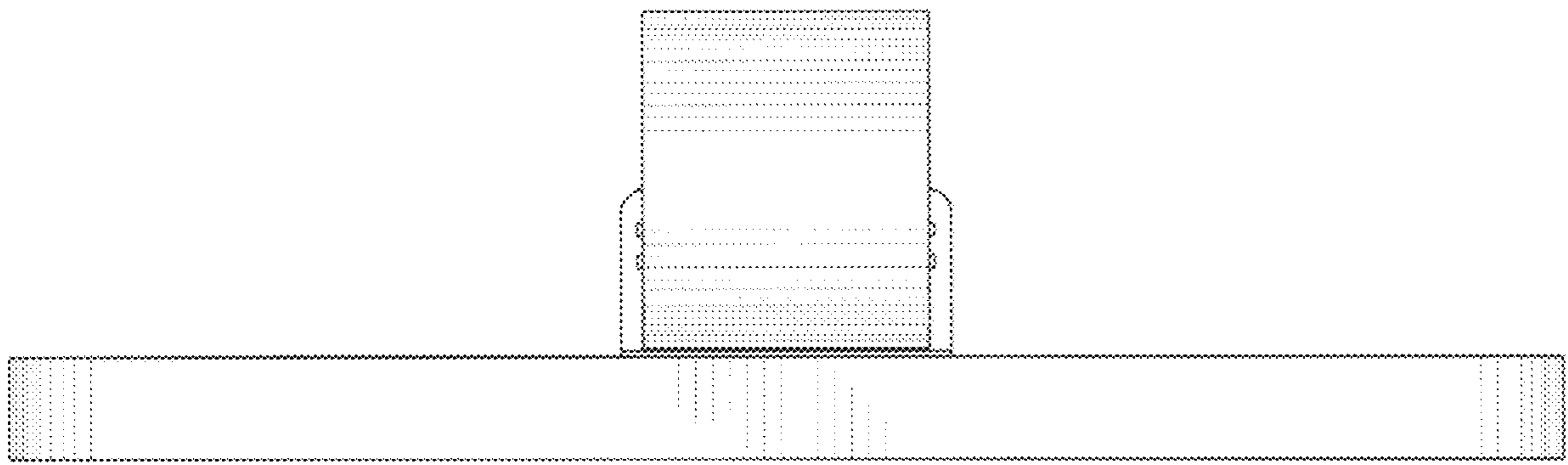


FIG. 5

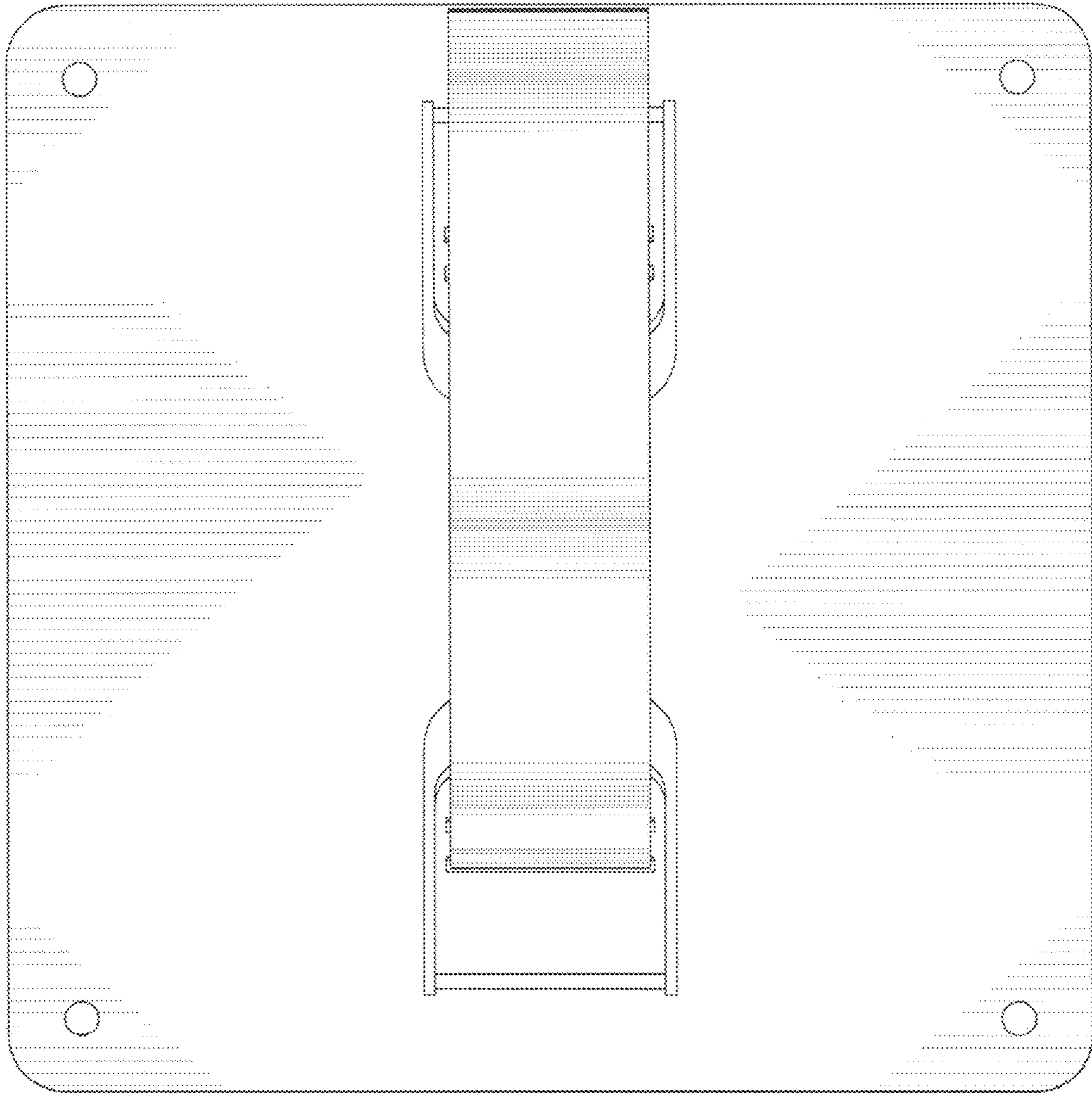


FIG. 6

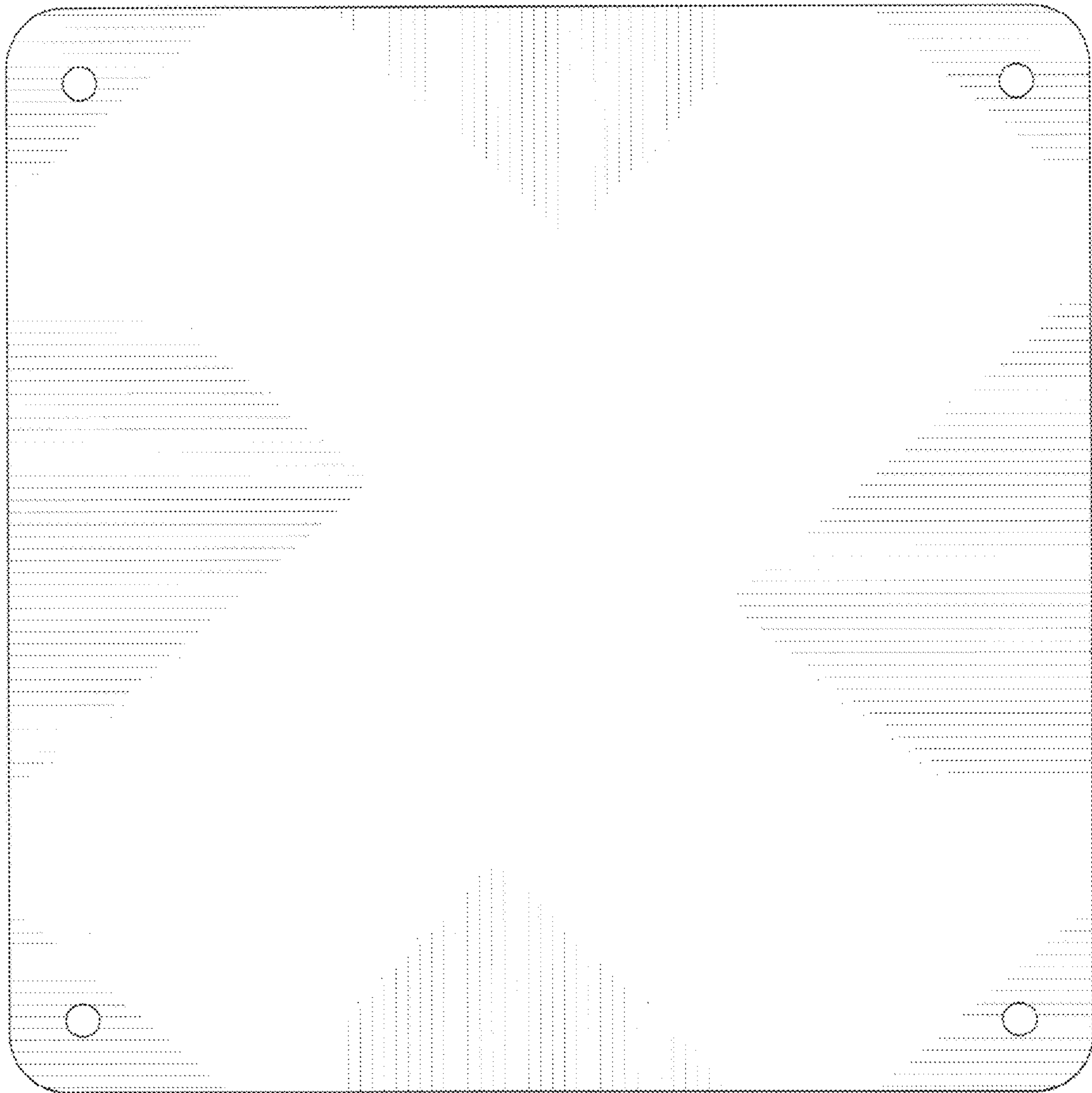


FIG. 7