



US00D920433S

(12) **United States Design Patent** (10) **Patent No.:** **US D920,433 S**
Hwang et al. (45) **Date of Patent:** **** May 25, 2021**

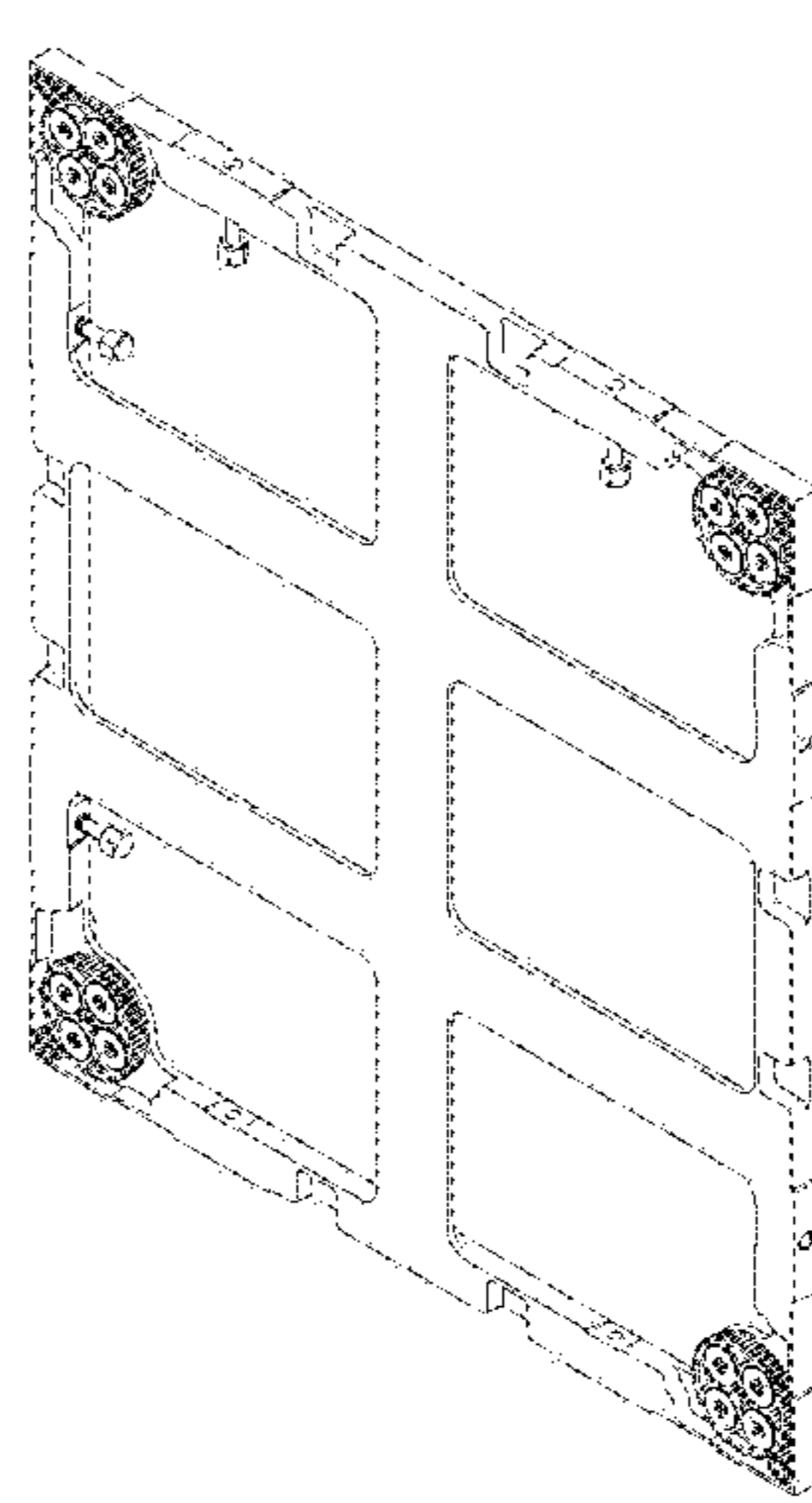
(54) **FRAME FOR DIGITAL SIGNAGE**
(71) Applicant: **LG ELECTRONICS INC.**, Seoul (KR)
(72) Inventors: **Jungyeon Hwang**, Seoul (KR); **Yongho Lee**, Seoul (KR)
(73) Assignee: **LG ELECTRONICS INC.**, Seoul (KR)
(**) Term: **15 Years**
(21) Appl. No.: **35/508,156**
(22) Filed: **Jun. 3, 2019**
(80) **Hague Agreement Data**
Int. Filing Date: **Jun. 3, 2019**
Int. Reg. No.: **DM/204825**
Int. Reg. Date: **Jun. 3, 2019**
Int. Reg. Pub. Date: **Dec. 20, 2019**

(30) **Foreign Application Priority Data**
Dec. 3, 2018 (KR) 30-2018-0056574
(51) **LOC (13) Cl.** **20-03**
(52) **U.S. Cl.**
USPC **D20/42**
(58) **Field of Classification Search**
USPC D20/10, 19, 39, 41-43, 99; D10/113.4; D14/125, 126, 371
CPC G09F 7/00; G09F 7/02; G09F 7/16; G09F 9/00; G09F 9/3026; G09F 9/33; G09F 9/35; G09F 13/00; G09F 13/22; G09F 15/00; G09F 15/0056; G09F 15/0068; G06F 3/14; H01R 13/514
See application file for complete search history.

(56) **References Cited**
U.S. PATENT DOCUMENTS
D750,173 S * 2/2016 Chen H05K 7/20145 D20/10
D771,844 S * 11/2016 Hochman G06F 1/20 D26/1
D805,659 S * 12/2017 Hochman G09F 15/0056 D26/1
10,701,843 B1 * 6/2020 Kim H05K 7/20145
2008/0236045 A1 * 10/2008 DeBlonk G09F 13/22 49/55
2008/0263924 A1 * 10/2008 Nearman G09F 15/0056 40/607.13
2008/0280464 A1 * 11/2008 Hsu H01R 13/514 439/71
2014/0197123 A1 * 7/2014 McPhillips A63J 1/02 211/195
2019/0066894 A1 * 2/2019 Zhu H05K 1/111
2019/0277377 A1 * 9/2019 Heo H05K 5/0217
2020/0063767 A1 * 2/2020 Jung B25B 27/02
2020/0310502 A1 * 10/2020 Cho G06F 1/20
* cited by examiner
Primary Examiner — Mary Ann Calabrese
(74) *Attorney, Agent, or Firm* — Birch, Stewart, Kolasch & Birch, LLP

(57) **CLAIM**
The ornamental design for a frame for digital signage, as shown and described.

DESCRIPTION
1. Frame for digital signage
1.1 : Front perspective view
1.2 : Rear perspective view
1.3 : Front
1.4 : Back
1.5 : Left
1.6 : Right
1.7 : Top
(Continued)



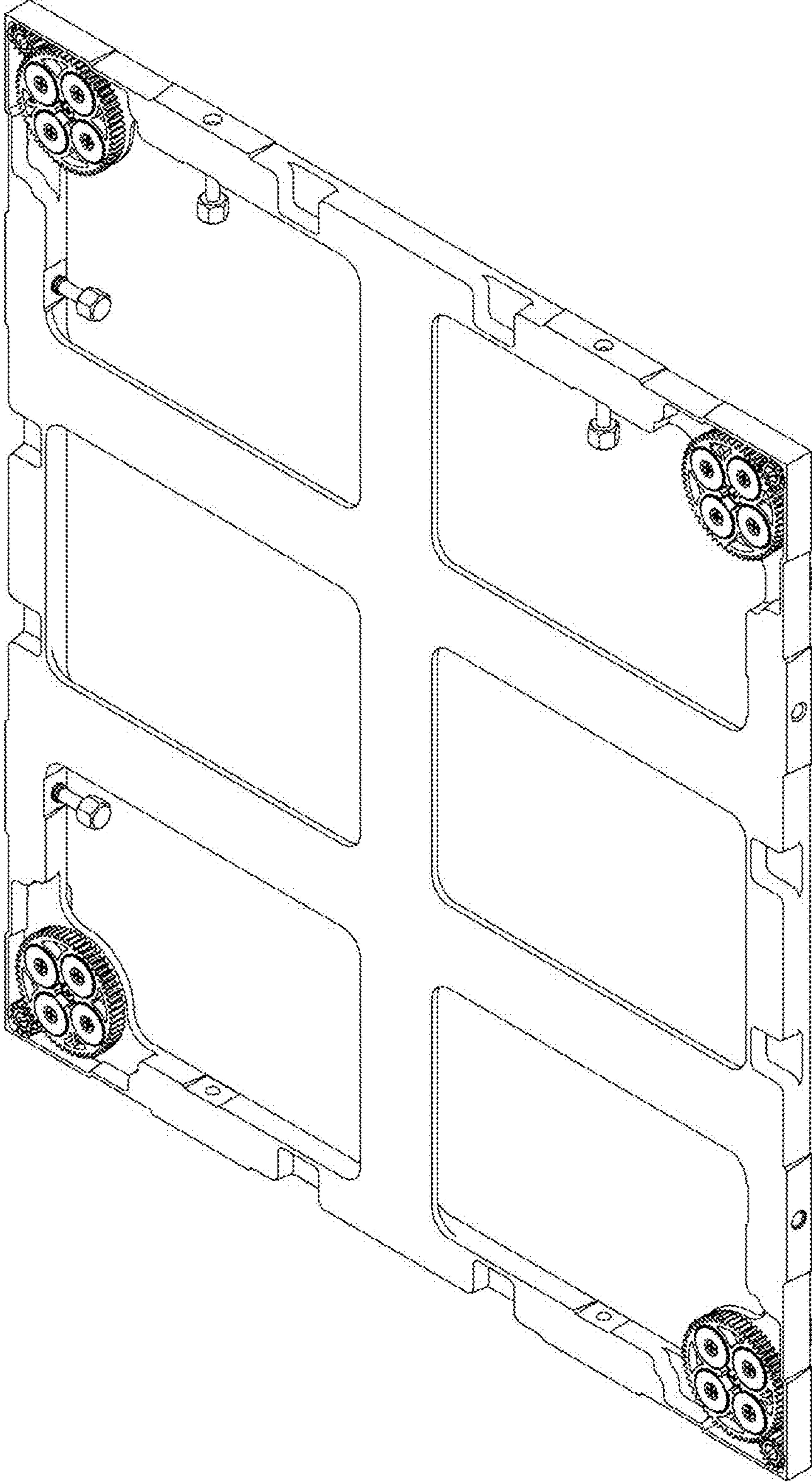
1.8 : Bottom

1.9 : Reference view

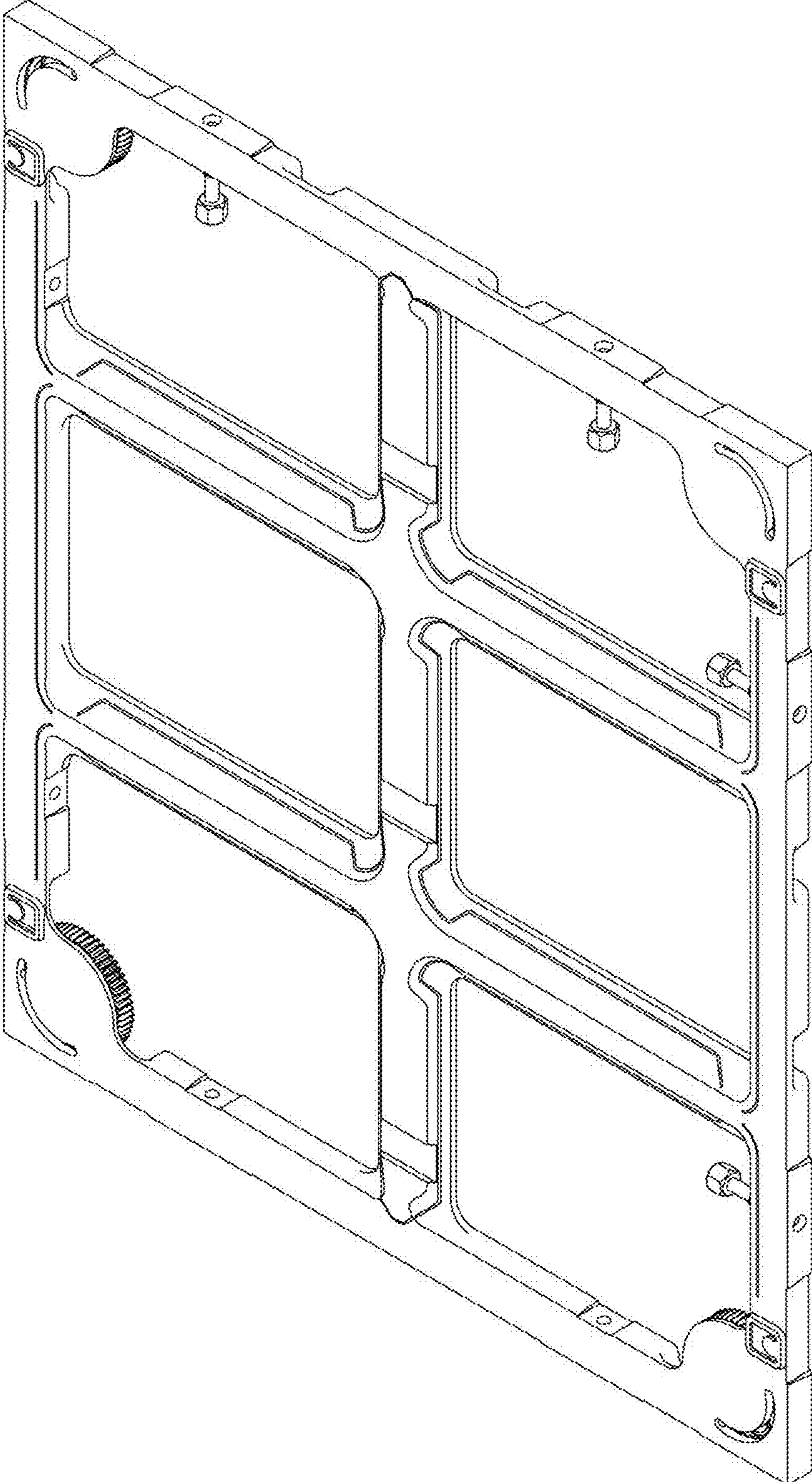
The broken lines in view **1.9** show the frame for digital signage in use and form no part thereof.

1 Claim, 9 Drawing Sheets

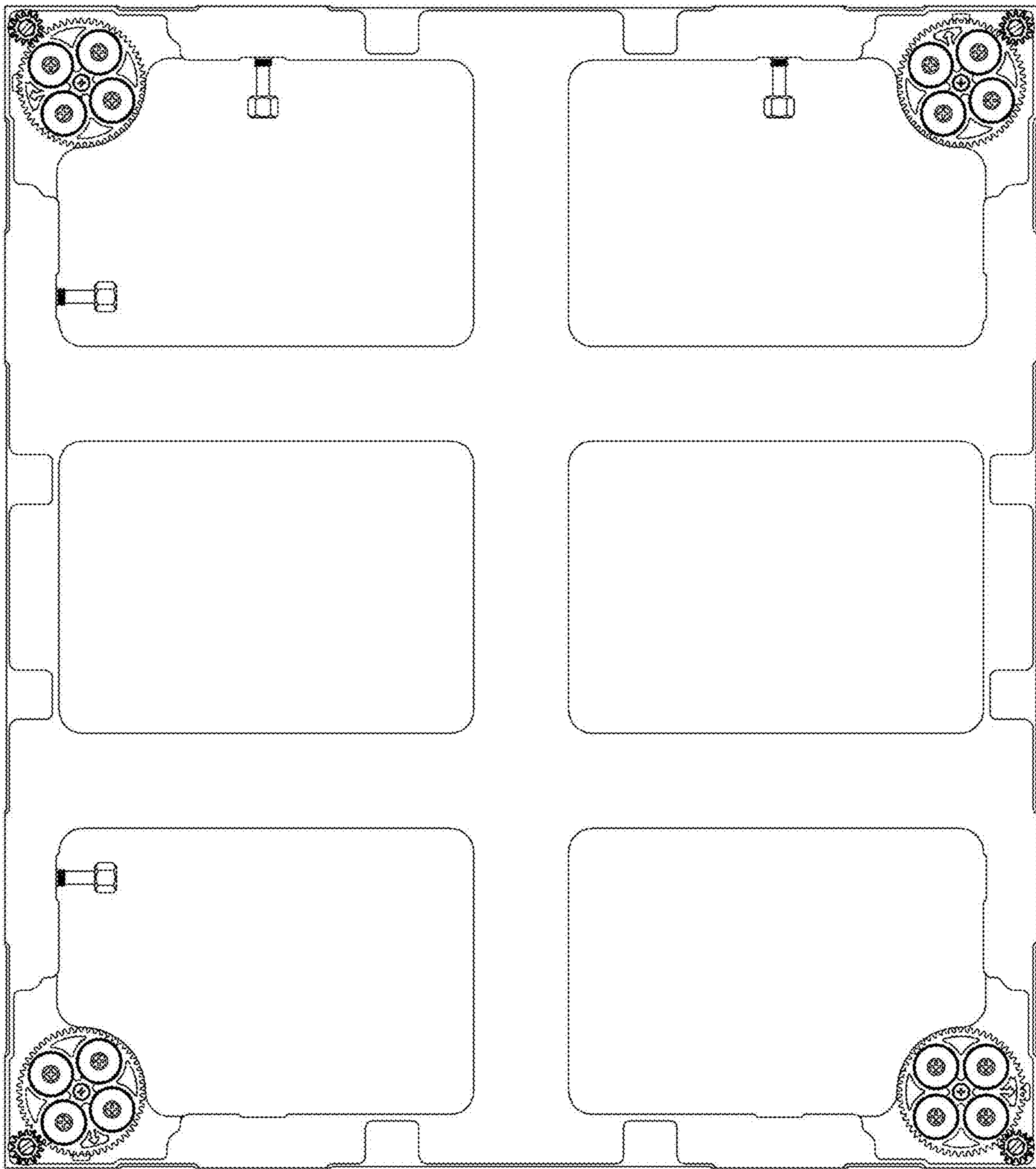
1.1



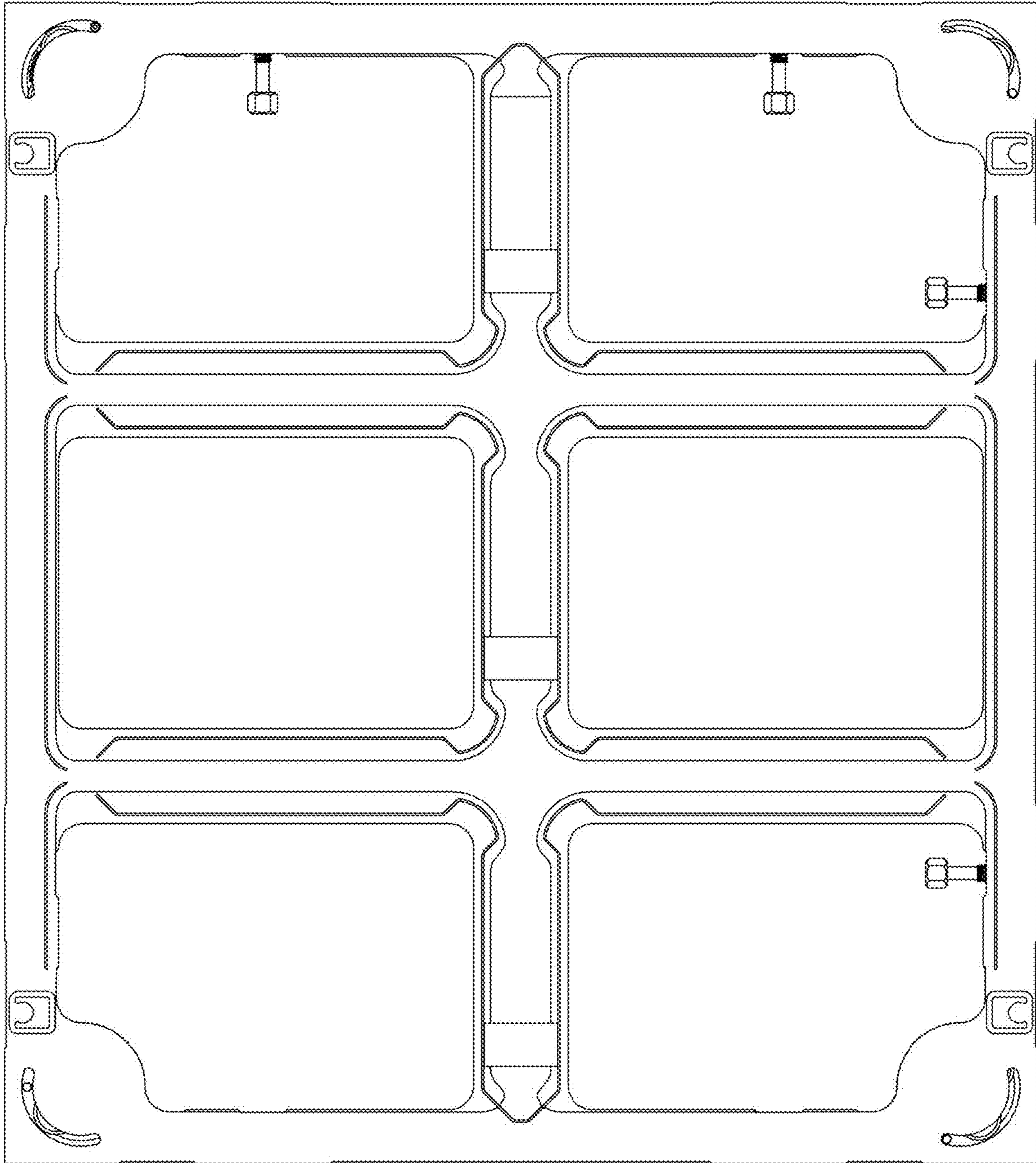
1.2



1.3



1.4



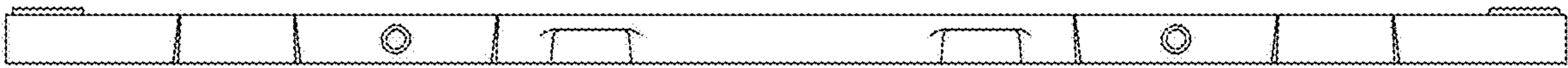
1.5



1.6



1.7



1.8



1.9

