



US00D920429S

(12) **United States Design Patent** (10) **Patent No.:** **US D920,429 S**  
**Hoinowski** (45) **Date of Patent:** **\*\* May 25, 2021**

(54) **ILLUMINATED SIGN**  
(71) Applicant: **Clifford Hoinowski**, Neshanic Station, NJ (US)  
(72) Inventor: **Clifford Hoinowski**, Neshanic Station, NJ (US)  
(\*\*) Term: **15 Years**

D509,543 S \* 9/2005 Hillstrom ..... D20/41  
D535,953 S \* 1/2007 Fujii ..... D14/126  
D577,075 S \* 9/2008 Bode ..... D20/21  
D646,269 S \* 10/2011 Crick, Jr. .... D14/307  
D700,901 S \* 3/2014 Giglio ..... D14/129  
D748,729 S \* 2/2016 Thomaselli ..... D20/10  
D852,273 S \* 6/2019 Lim ..... D20/39  
D866,666 S \* 11/2019 Ditton ..... D21/369  
D883,278 S \* 5/2020 Yopez ..... D14/307  
D888,825 S \* 6/2020 Hu ..... D20/19

(21) Appl. No.: **29/704,992**  
(22) Filed: **Sep. 9, 2019**  
(51) **LOC (13) Cl.** ..... **20-03**  
(52) **U.S. Cl.**  
USPC ..... **D20/10**; D13/102; D14/126; D14/307  
(58) **Field of Classification Search**  
USPC ..... D10/104.1, 109.1, 109.2, 121, 125, 126;  
D13/101, 102, 103, 107, 112, 118;  
D14/125, 126, 127, 128, 129, 302-307,  
D14/371, 900-902; D20/1, 10, 12, 13,  
D20/14, 15, 16, 17, 18, 19, 20, 21, 29,  
D20/30, 35, 37, 39, 40, 41, 42; D21/332,  
D21/325, 369, 370; D99/28  
CPC ..... G09F 1/00; G09F 1/08; G09F 5/00; G09F  
5/02; G09F 7/00; G09F 19/00; G09F  
23/00; G09F 27/00; G09F 21/00; G09F  
21/06; G09F 21/08; Y10S 362/812; A47F  
3/00; A47F 8/00; A47F 11/00  
See application file for complete search history.

**OTHER PUBLICATIONS**

Sidewalk signs, posted at Displays2go.com, posted on Dec. 5, 2018, site visited Oct. 22, 2020. online, available from internet: <https://web.archive.org/web/20181205203118/https://www.displays2go.com/Class/Signage-1001> (Year: 2018).\*

(Continued)

*Primary Examiner* — Mary Ann Calabrese  
*Assistant Examiner* — Catherine Ho  
(74) *Attorney, Agent, or Firm* — Myers Wolin, LLC

(57) **CLAIM**

The ornamental design for an illuminated sign, as shown and described.

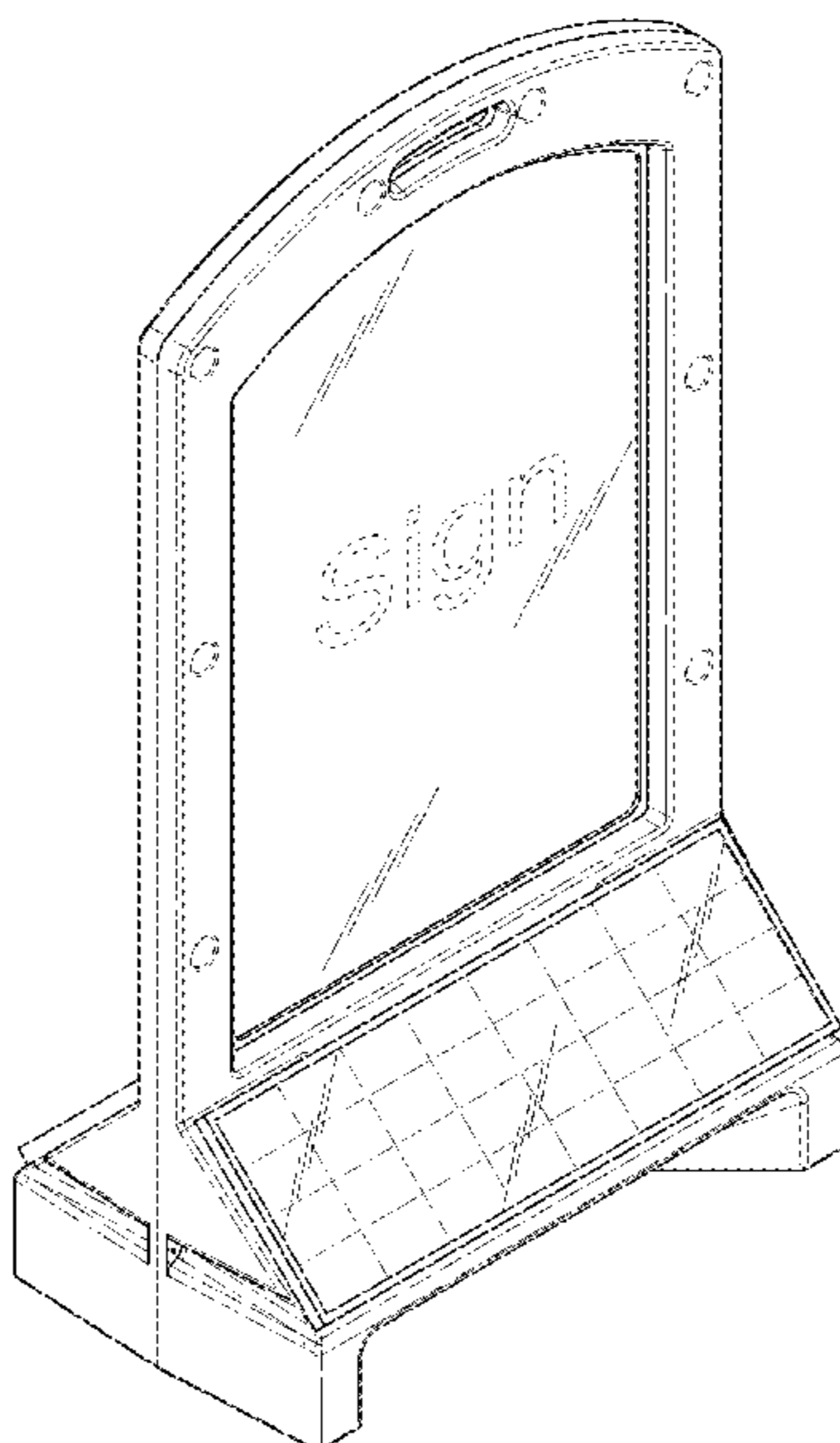
**DESCRIPTION**

FIG. 1 is a front perspective view of an illuminated sign showing my new design;  
FIG. 2 is a rear perspective view thereof;  
FIG. 3 is a front elevation view thereof, the back elevation view being the same;  
FIG. 4 is a right side elevation view thereof, the left side elevation view being the same;  
FIG. 5 is a top view thereof; and,  
FIG. 6 is a bottom view thereof.  
The broken lines depict portions of the article and form no part of the claimed design.

**1 Claim, 5 Drawing Sheets**

(56) **References Cited**  
U.S. PATENT DOCUMENTS

D285,810 S \* 9/1986 Glasener ..... D20/10  
D350,566 S \* 9/1994 Pearson ..... D20/40  
D355,676 S \* 2/1995 Wilson ..... D14/373  
D434,451 S \* 11/2000 Grimshaw ..... D20/10  
D450,776 S \* 11/2001 Albrecht ..... D20/10  
D463,499 S \* 9/2002 Marcos ..... D20/10  
D501,889 S \* 2/2005 Harris ..... D20/39



(56)

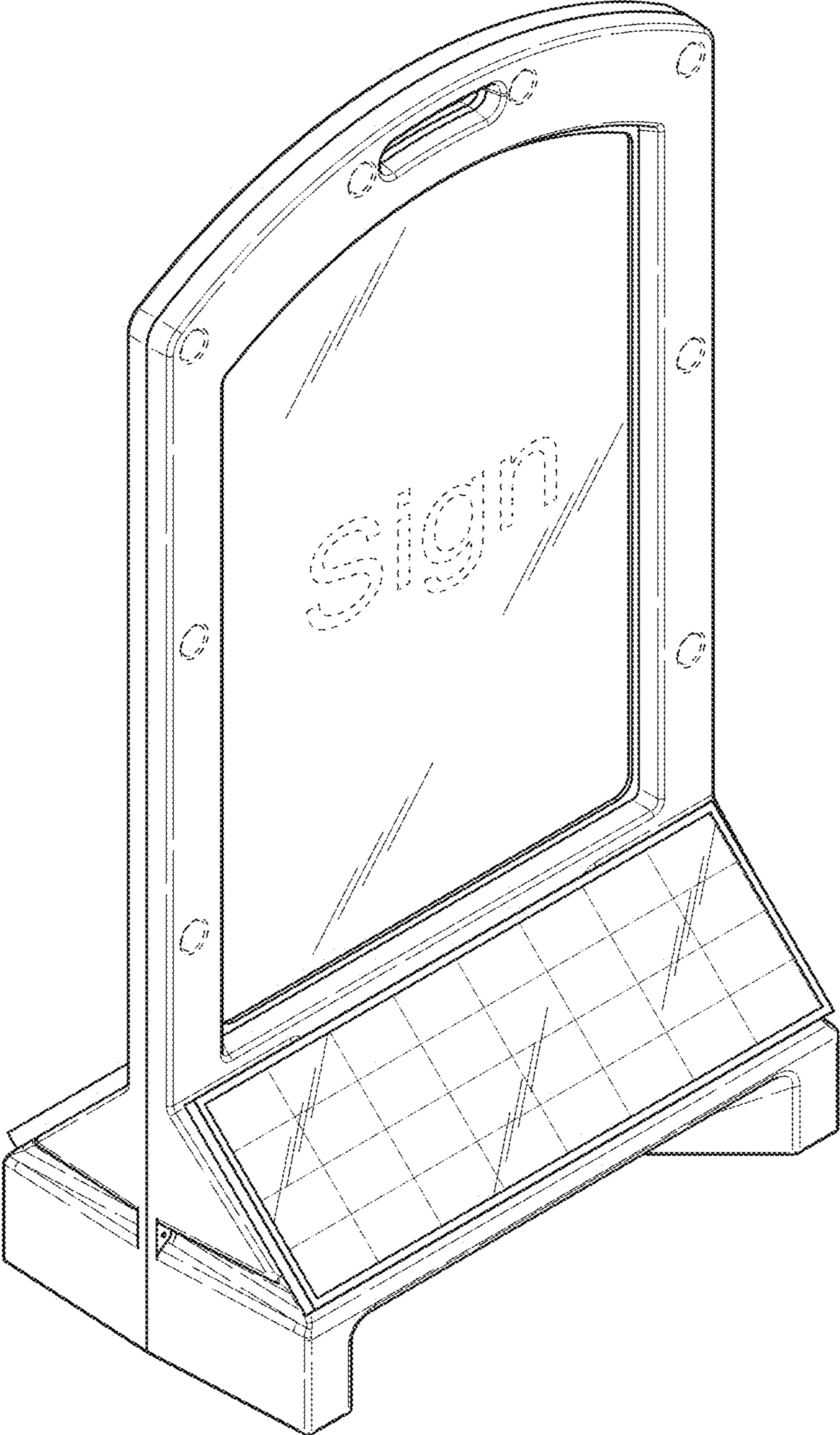
**References Cited**

OTHER PUBLICATIONS

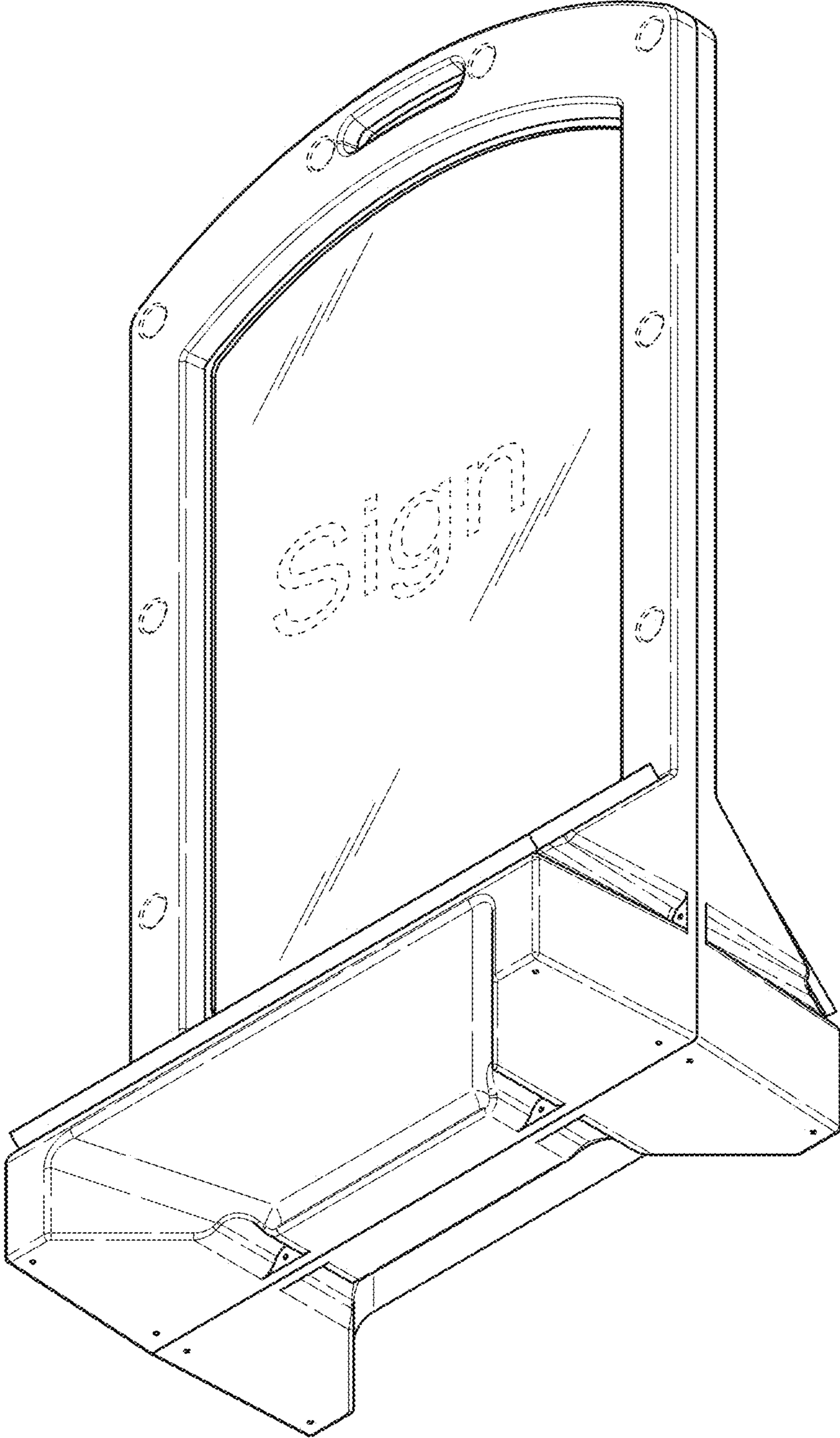
H. Risch, "Street talker solar light" downloaded from <https://www.hrisch.com/allproducts/street-talker-solar-light> on Feb. 13, 2020.

International Sign, "Solar Powered Signs", downloaded from <http://intlsign.com/page.php?page=SolarPoweredSigns> on Feb. 13, 2020.

\* cited by examiner

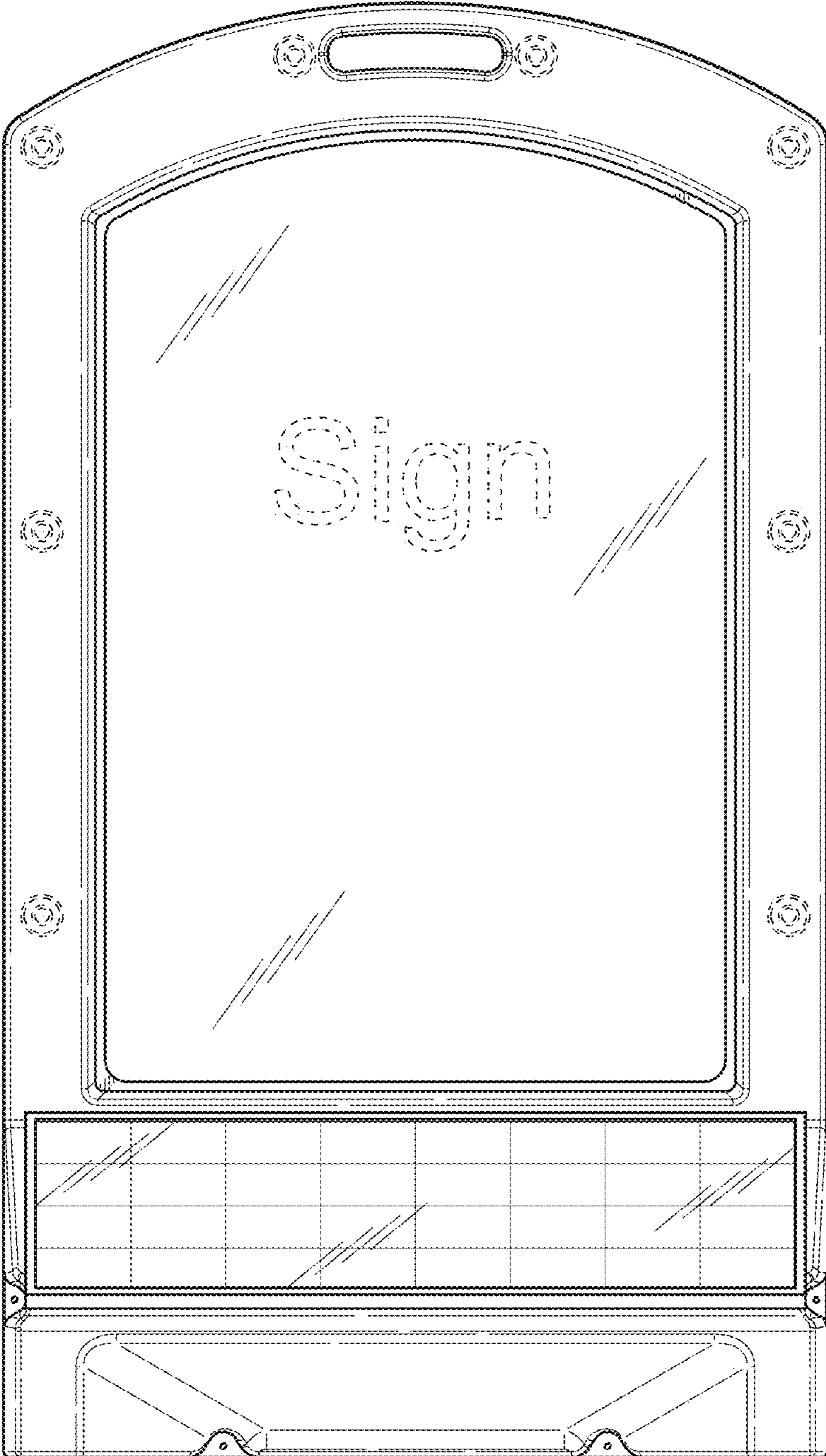


*FIG. 1*

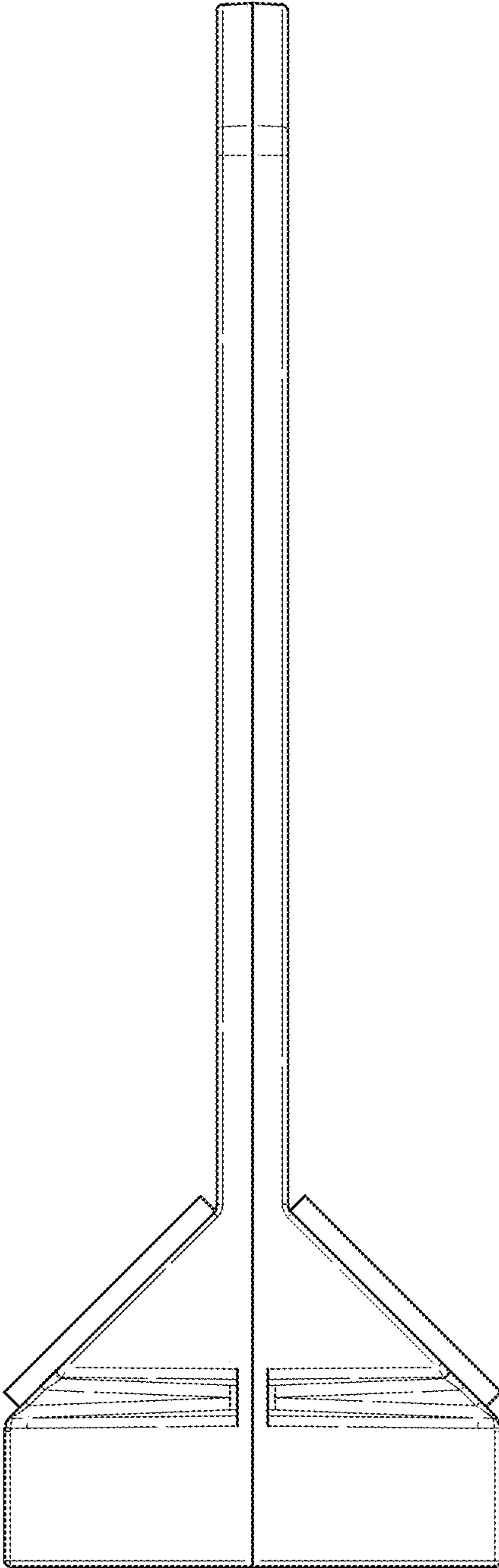


*FIG. 2*

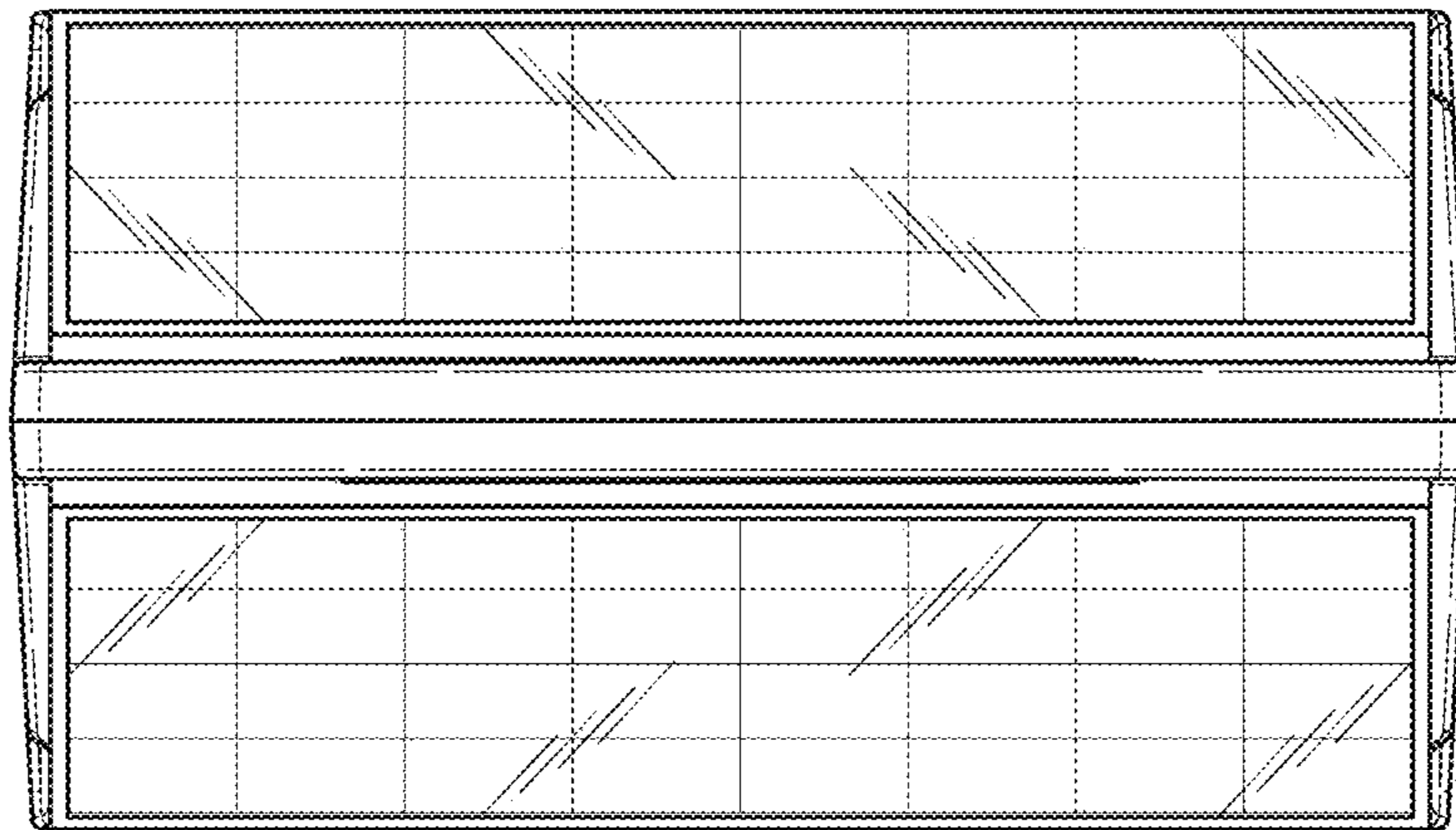




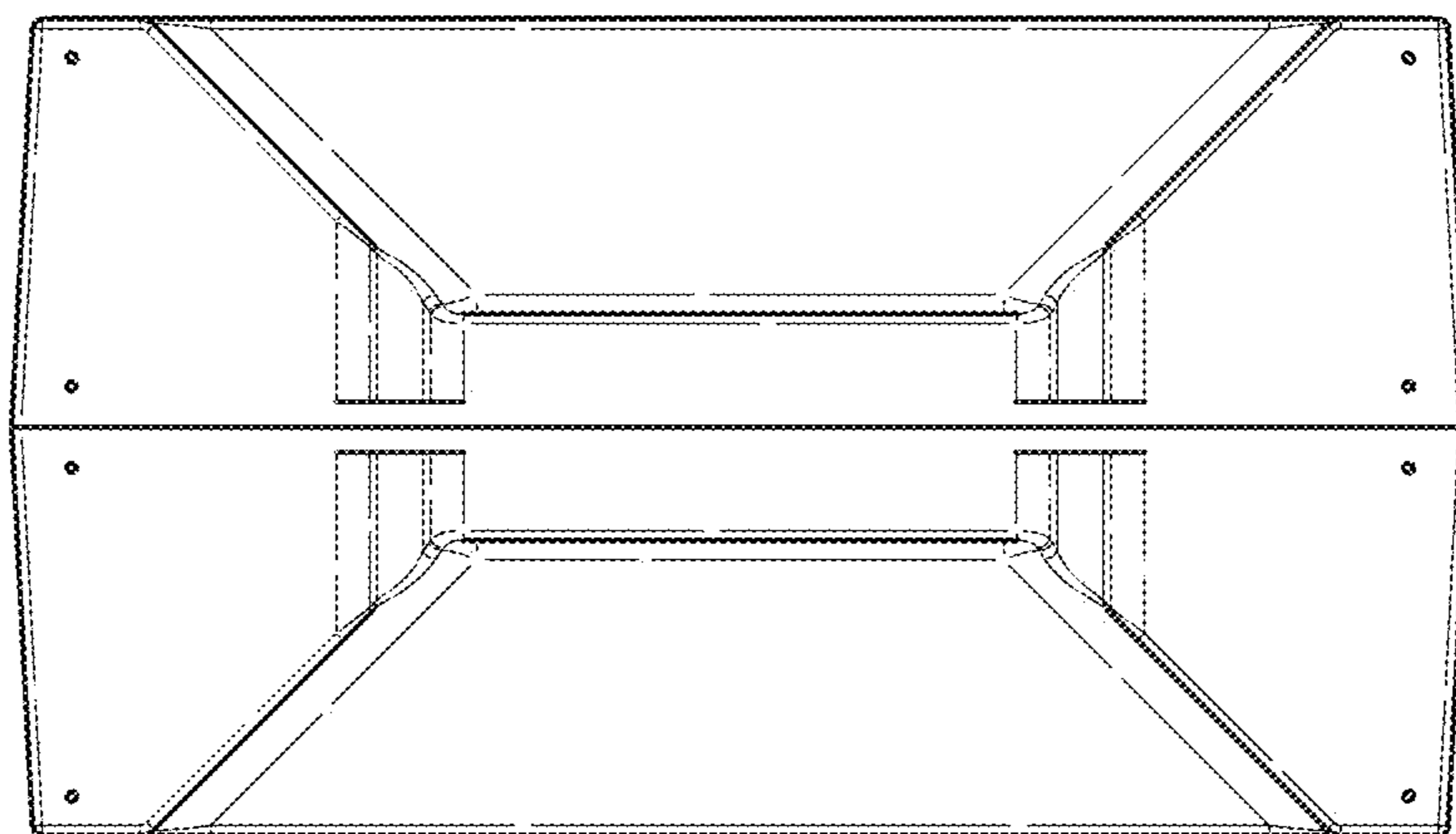
*FIG. 3*



*FIG. 4*



*FIG. 5*



*FIG. 6*