



US00D920426S

(12) **United States Design Patent**
Khubani et al.

(10) **Patent No.:** **US D920,426 S**
(45) **Date of Patent:** **** May 25, 2021**

(54) **STAMP ROLLER**

3,167,009 A 1/1965 Sloane
3,927,613 A 12/1975 Nantz
3,955,499 A 5/1976 Funahashi
(Continued)

(71) Applicant: **DaVinci II CSJ, LLC**, Fairfield, NJ
(US)

(72) Inventors: **Ajit Khubani**, Saddle River, NJ (US);
Damian Mucaro, Hackensack, NJ (US)

FOREIGN PATENT DOCUMENTS

CA 82678 12/1997
CA 107710 1/2006
(Continued)

(73) Assignee: **DaVinci II CSJ, LLC**, Fairfield, NJ
(US)

OTHER PUBLICATIONS

(**) Term: **15 Years**

Plus Guard Your ID Advanced Roller Stamp, Green found at
<https://www.amazon.in/Plus-Guard-Advanced-Roller-Stamp/dp/B0094D6FX0>.

(21) Appl. No.: **29/731,581**

(22) Filed: **Apr. 16, 2020**

(Continued)

(51) **LOC (13) Cl.** **19-02**

(52) **U.S. Cl.**

USPC **D18/15**

(58) **Field of Classification Search**

USPC D18/14, 15, 16, 17, 18, 19, 36, 37, 38,
D18/39, 40, 41, 45, 50, 53, 54, 55, 56;
D19/65, 66, 67, 68, 69, 70, 71

CPC B41J 3/36; B41J 29/023; B41J 2/17526;
B41J 3/28; B41J 2/1752; B23K 26/00;
B23K 26/10; B41K 1/38; B41K 1/36;
B41K 1/40; B41K 1/42; B41K 1/52;
B41K 1/54; B41K 1/56; B41K 1/00;
B41K 1/006; B41K 1/02; B41K 1/08;
B41K 1/22; B41C 3/04; B41D 7/00

See application file for complete search history.

Primary Examiner — Lauren D McVey

(74) *Attorney, Agent, or Firm* — Wolf, Greenfield &
Sacks, P.C.

(57)

CLAIM

The ornamental design for a stamp roller, as shown and
described.

DESCRIPTION

FIG. 1 is a perspective view of a stamp roller in accordance
with the present design in a closed position;
FIG. 2 is a front elevation view thereof, the rear view being
a mirror image of FIG. 2;
FIG. 3 is a left side elevation view thereof, the right side
being a mirror image of FIG. 3;
FIG. 4 is a top plan view thereof;
FIG. 5 is a bottom view thereof;
FIG. 6 is an exploded front elevation view of the stamp roller
of FIG. 1; and,
FIG. 7 is a left side elevation view of the stamp roller of FIG.
6.

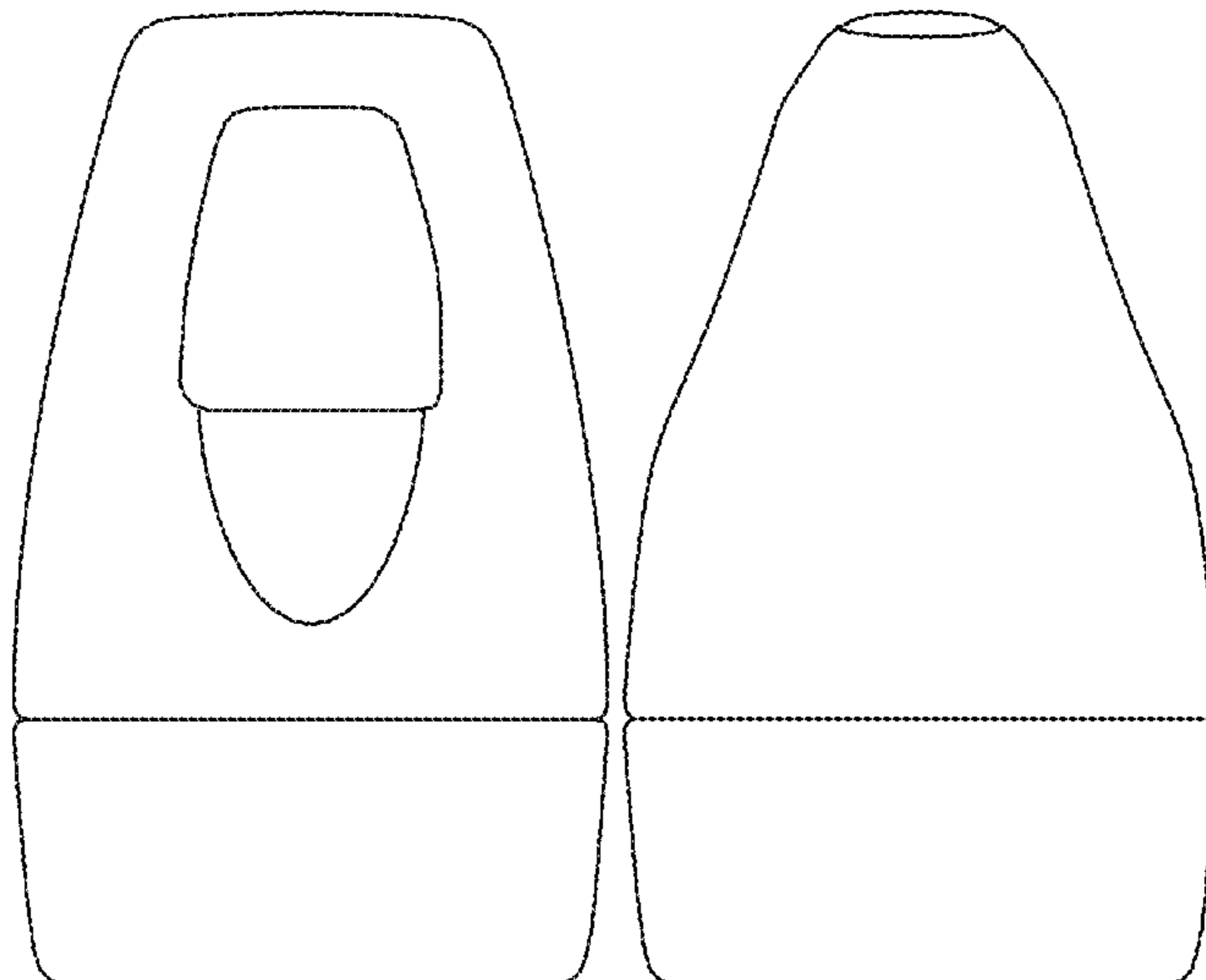
The broken lines in the figures depict portions of the stamp
roller that form no part of the claimed design.

(56) **References Cited**

U.S. PATENT DOCUMENTS

1,843,098 A 1/1932 McKee
1,964,455 A 6/1934 Cook
2,451,595 A 10/1948 Wheeler
D178,686 S 9/1956 Mitchell
2,776,620 A 1/1957 Quimby
2,784,668 A 3/1957 Poje
3,006,273 A 10/1961 Sommer
3,146,707 A 9/1964 Sloane

1 Claim, 7 Drawing Sheets



(56)

References Cited

U.S. PATENT DOCUMENTS

4,033,257 A 7/1977 Funahashi
 4,040,350 A 8/1977 Hopkins
 4,064,802 A 12/1977 Funahashi
 4,119,030 A 10/1978 Funahashi
 4,321,868 A 3/1982 Kikuchi
 4,323,011 A 4/1982 Hamilton
 D268,187 S 3/1983 Funahashi
 4,411,192 A 10/1983 Fujihara
 D275,687 S 9/1984 Funahashi
 4,593,618 A 6/1986 Lebensfeld
 4,690,053 A 9/1987 Munyon et al.
 4,817,526 A 4/1989 Winston
 4,993,159 A 2/1991 Hull et al.
 4,996,921 A 3/1991 Hong
 D318,685 S * 7/1991 Kida D18/15
 5,046,419 A 9/1991 Zoltner
 D339,819 S 9/1993 Chen
 5,303,648 A 4/1994 Shih
 5,316,581 A * 5/1994 Staniszewski B43M 11/04
 118/246
 D347,652 S 6/1994 Salisbury et al.
 5,435,245 A 7/1995 Salisbury et al.
 5,505,133 A 4/1996 Chen
 D379,367 S 5/1997 Harden
 5,732,627 A 3/1998 Imamaki
 5,778,776 A 7/1998 Fuwa et al.
 5,799,576 A 9/1998 Koike et al.
 D399,245 S 10/1998 Harden
 D422,017 S 3/2000 Harden
 6,042,772 A 3/2000 Miyata et al.
 6,199,482 B1 3/2001 Yasoshima
 D446,805 S 8/2001 Suto
 6,360,658 B1 3/2002 Benson
 D477,628 S 7/2003 Zambelli et al.
 D478,930 S 8/2003 Zambelli et al.
 6,637,125 B2 10/2003 Scarborough
 6,659,001 B2 12/2003 Toyama
 6,659,007 B1 12/2003 Winston
 6,698,104 B2 3/2004 Scarborough
 6,701,635 B2 3/2004 Scarborough
 6,701,636 B2 3/2004 Scarborough
 D506,775 S 6/2005 Kida et al.
 D507,294 S 7/2005 Kida et al.
 D507,593 S 7/2005 Kida et al.
 D507,806 S 7/2005 Kida et al.
 D508,072 S 8/2005 Kida et al.
 D508,257 S 8/2005 Kida et al.
 D508,521 S 8/2005 Kida et al.
 6,941,672 B2 9/2005 Scarborough
 6,971,185 B2 12/2005 Scarborough
 7,040,035 B1 5/2006 Scarborough
 7,104,196 B1 9/2006 Fong et al.
 7,194,954 B2 3/2007 Winston
 D545,352 S 6/2007 Treml
 D562,152 S * 2/2008 Beam D9/723
 7,334,344 B2 2/2008 Scarborough
 D580,479 S 11/2008 Hanazato
 7,456,983 B2 11/2008 Meador et al.
 D584,763 S 1/2009 Yonezu
 D584,767 S * 1/2009 Nagata D18/56
 D585,932 S 2/2009 Kida et al.
 D595,340 S 6/2009 Kida et al.
 D620,973 S 8/2010 Fukasawa
 D629,838 S 12/2010 Block et al.
 D630,249 S * 1/2011 Nabetani D19/66
 D630,250 S * 1/2011 Yoon D19/66
 D635,611 S 4/2011 Yoder et al.
 7,954,427 B2 6/2011 Ishikawa et al.

7,954,428 B2 6/2011 Ishikawa et al.
 7,963,221 B2 6/2011 Patterson
 D668,713 S 10/2012 Kitamura et al.
 8,336,454 B2 12/2012 Ushijima
 8,336,455 B2 12/2012 Ando
 D679,317 S 4/2013 Ono et al.
 8,701,556 B2 4/2014 Shih
 D750,157 S 2/2016 Ahn et al.
 9,266,317 B1 2/2016 Crawford et al.
 D802,656 S 11/2017 Kida et al.
 10,132,606 B2 11/2018 Scarborough
 D850,526 S 6/2019 Sugiyama et al.
 D853,475 S 7/2019 Kida et al.
 10,513,133 B2 12/2019 Czyzewski et al.
 2004/0246327 A1 * 12/2004 Elzi B41J 3/36
 347/109
 2006/0201354 A1 9/2006 Suda
 2009/0183645 A1 7/2009 Yonetsu et al.
 2011/0174175 A1 * 7/2011 Ushijima B41K 1/24
 101/333
 2011/0192299 A1 8/2011 Anthony
 2013/0298789 A1 * 11/2013 Soma B41K 1/006
 101/375

FOREIGN PATENT DOCUMENTS

CA 123612 1/2009
 CN 3093668 12/1998
 CN 300867985 12/2008
 CN 302010972 * 7/2012
 CN 302373172 3/2013
 CN 304062134 * 3/2017
 CN 304872642 11/2018
 EM 000853874-0001 1/2008
 GB 2040895 12/1994
 GB 2067449 2/1997
 JP D1212584 7/2004
 JP D1468155 5/2013
 JP D1608756 7/2018
 SG U20021340Z-0001 3/2003
 WO WO-2012108515 A1 * 8/2012 B41K 1/22

OTHER PUBLICATIONS

Guard Your ID Advanced X Roller 4-Pack found at <https://plus-america.com/collections/bundles/products/guard-your-id-advanced-x-roller-4-pack-new-item>.
 Roller Stamp Identity Theft Protection Leakage Prevention found at https://www.amazon.in/Roller-Identity-Protection-Leakage-Prevention/dp/B07XJW5VRU/ref=sr_1_16?dchild=1&keywords=roller+stamp&qid=1586761942&sr=8-16.
 Guard Your ID Wide Roller found at <https://plus-america.com/collections/rollers/products/guard-your-id-wide-roller>.
 Identity Protection Roller Stamp LioNergy Wide Roller Identity Theft Prevention Security Stamp (Red Roller Stamp) found at <https://www.amazon.com/Identity-Protection-Lionergy-Prevention-Security/dp/B075DFY5WZ>.
 Ompla Identity Theft Data Protection Roller Stamp—Includes 6 Ink Refills found at https://www.amazon.in/Ompla-Identity-Theft-Protection-Roller/dp/B07L5JGKW4/ref=sr_1_12?dchild=1&keywords=roller+stamp&qid=1586761942&sr=8-12.
 Winter Stamp Roller—Multi found at <https://yoobi.com/products/winter-stamp-roller-multi>.
 Max Korokoro Keshikoro Personal Information Protection Roller ST (5/12) found at <https://www.topistan.com/item/max-korokoro-keshikoro-personal-information-protection-roller-st/>.
 Plus Guard Your ID Roller user guide.

* cited by examiner

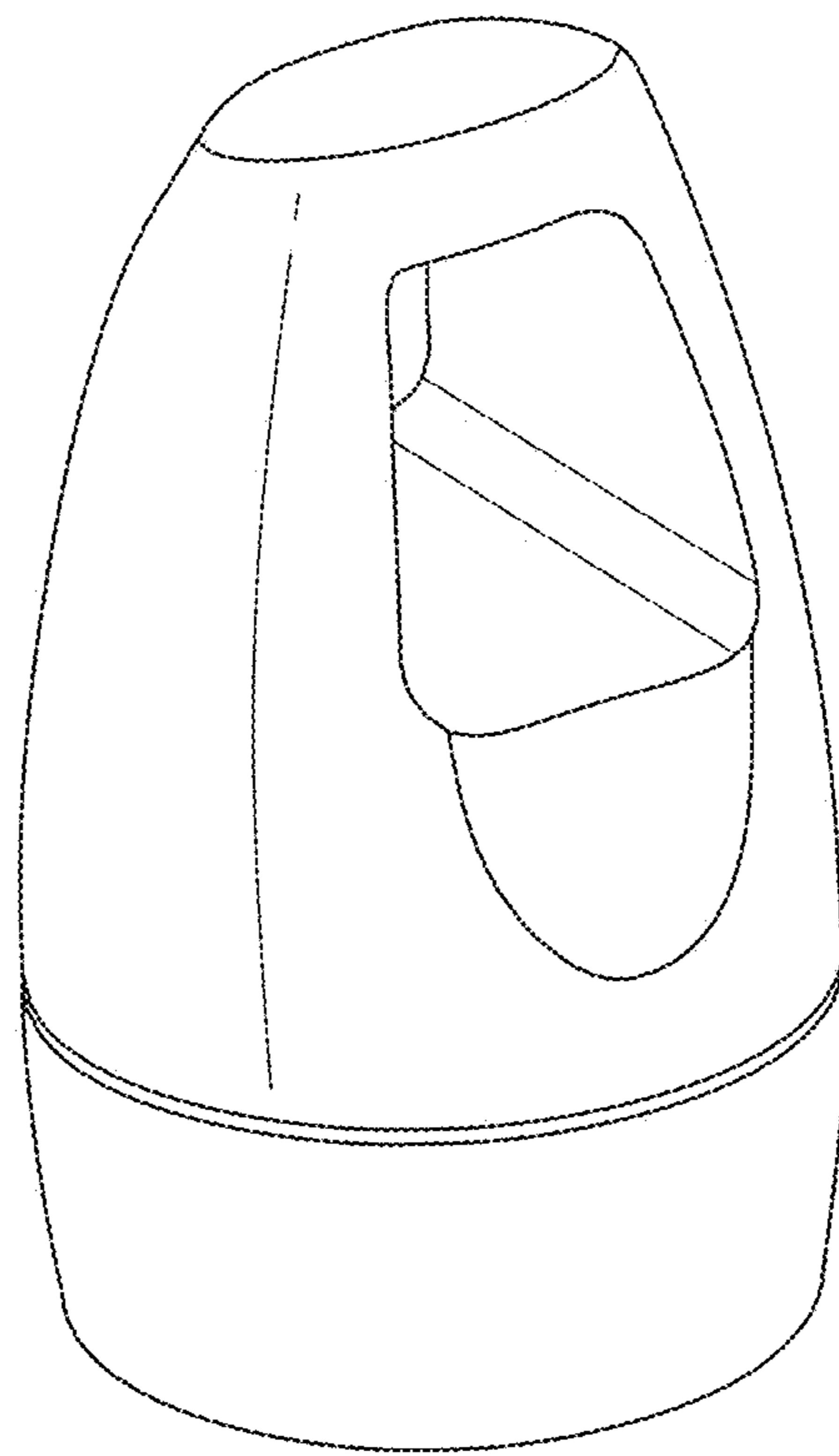


FIG. 1

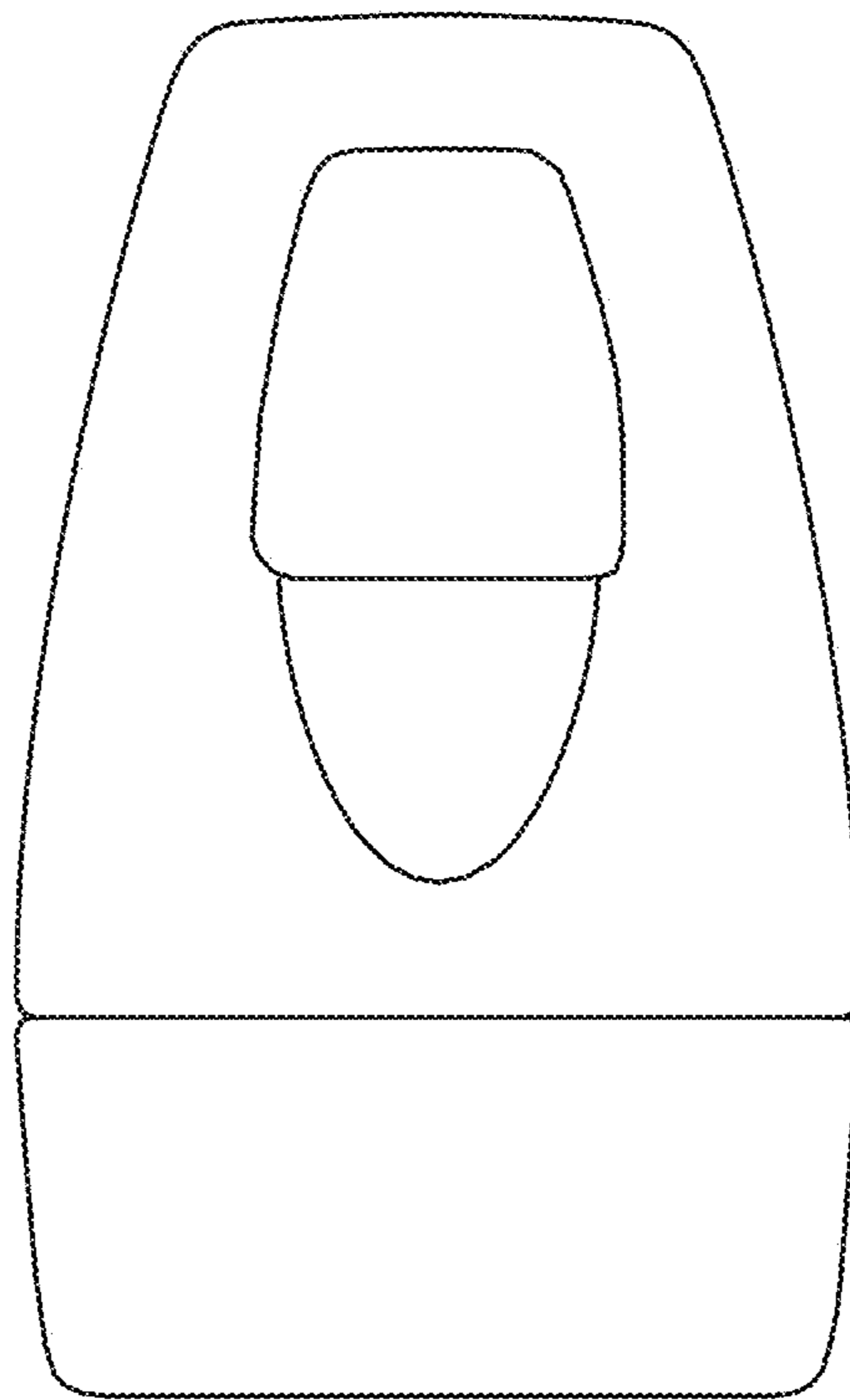


FIG. 2

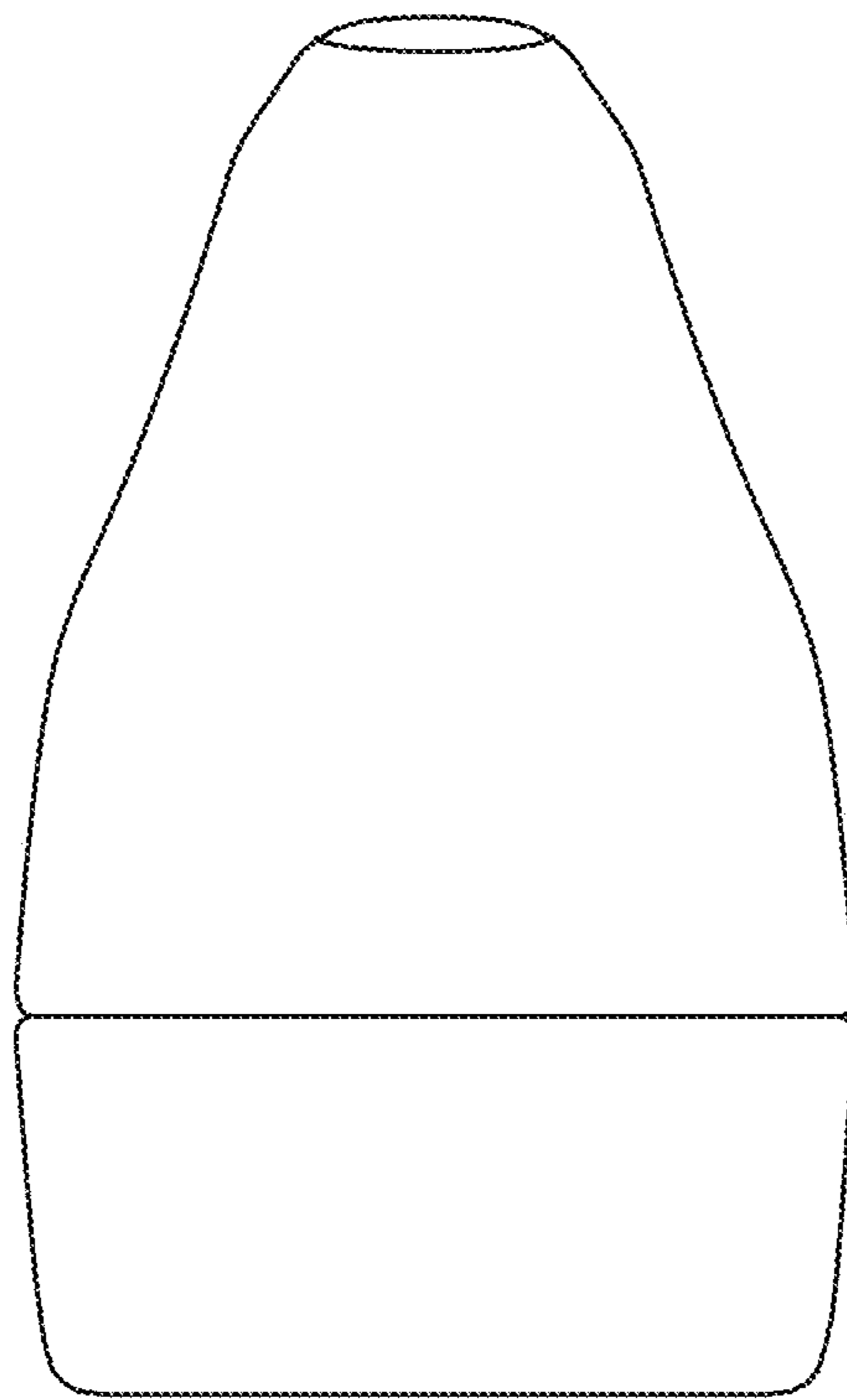


FIG. 3

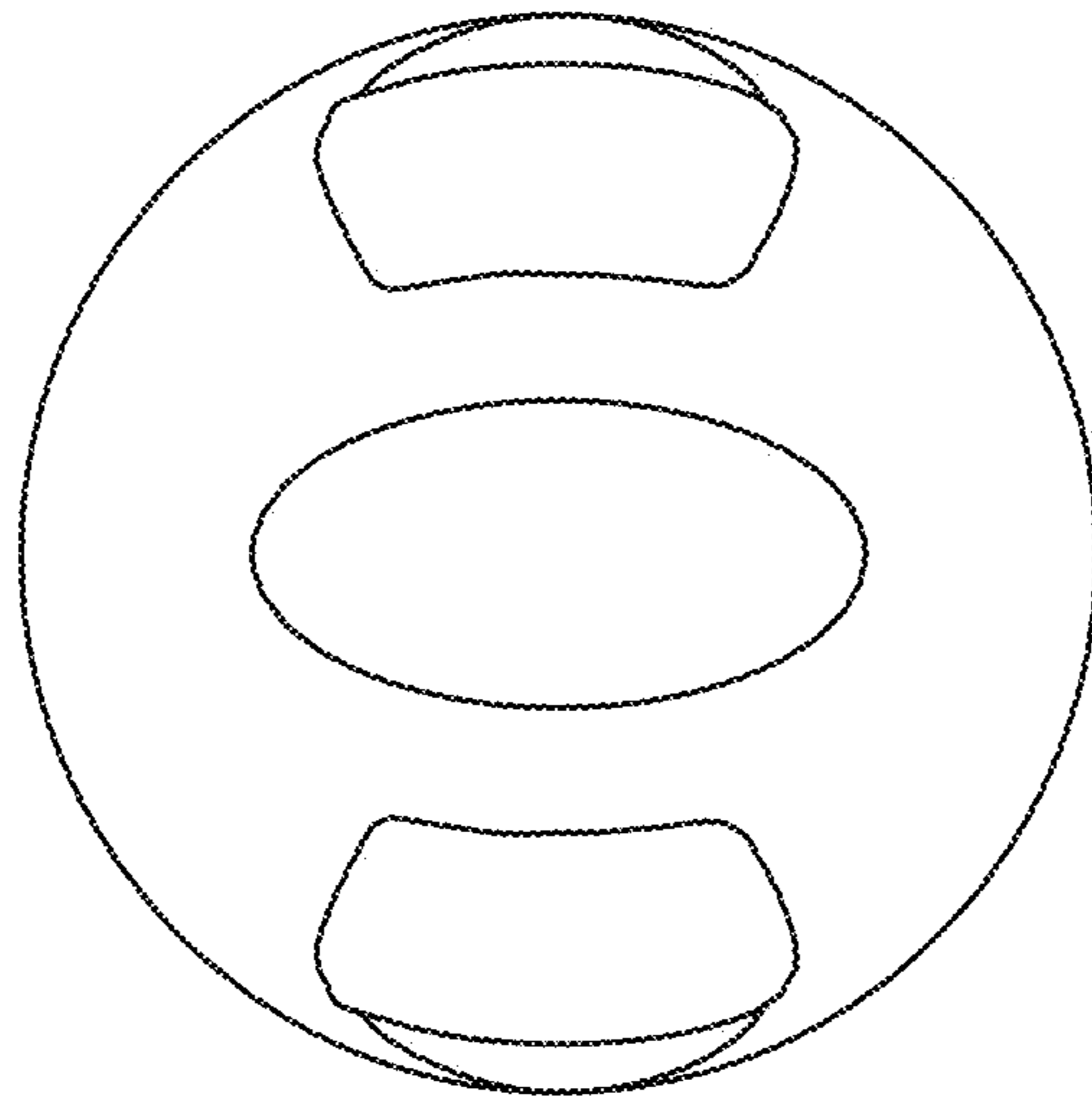


FIG. 4

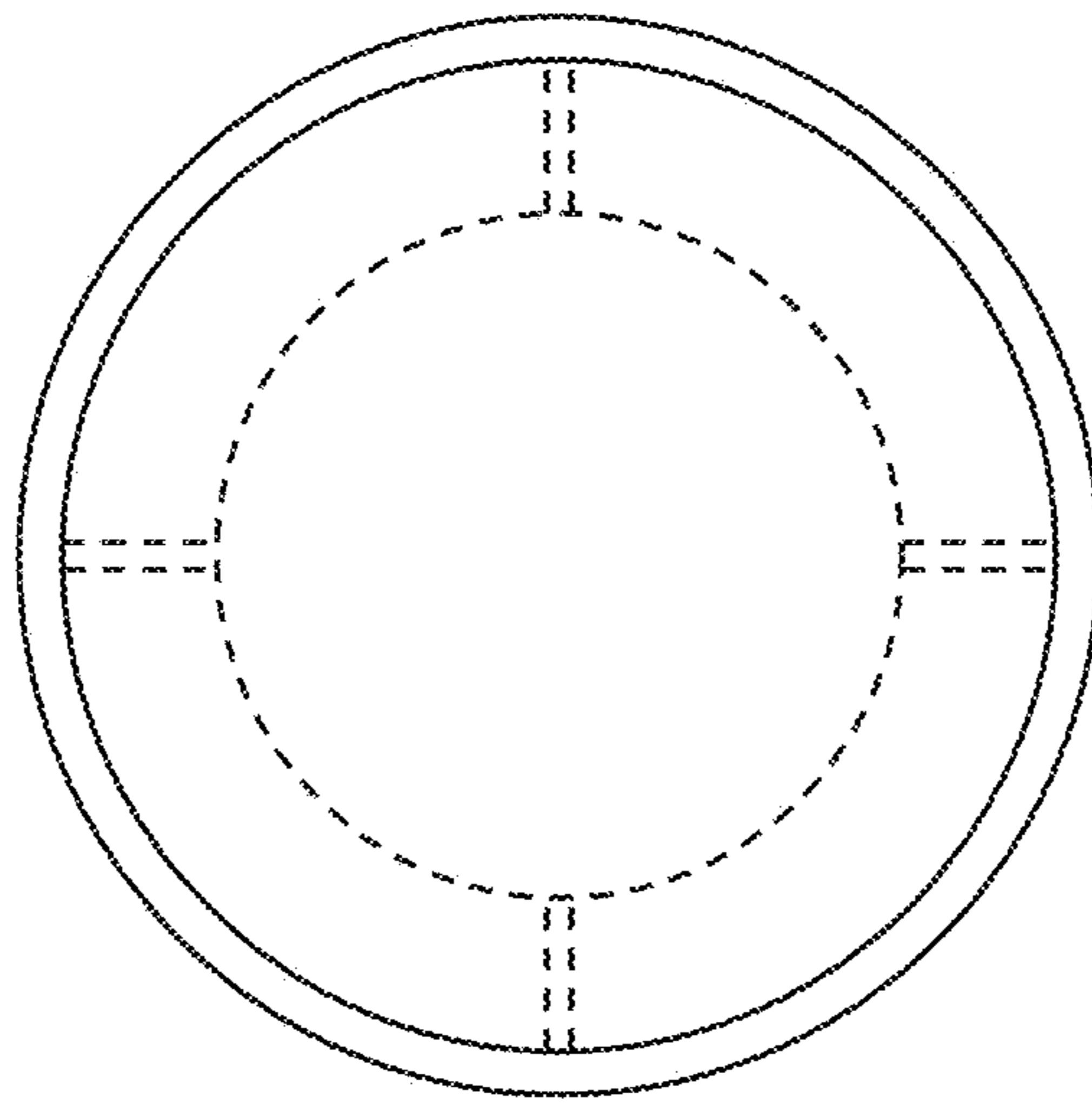


FIG. 5

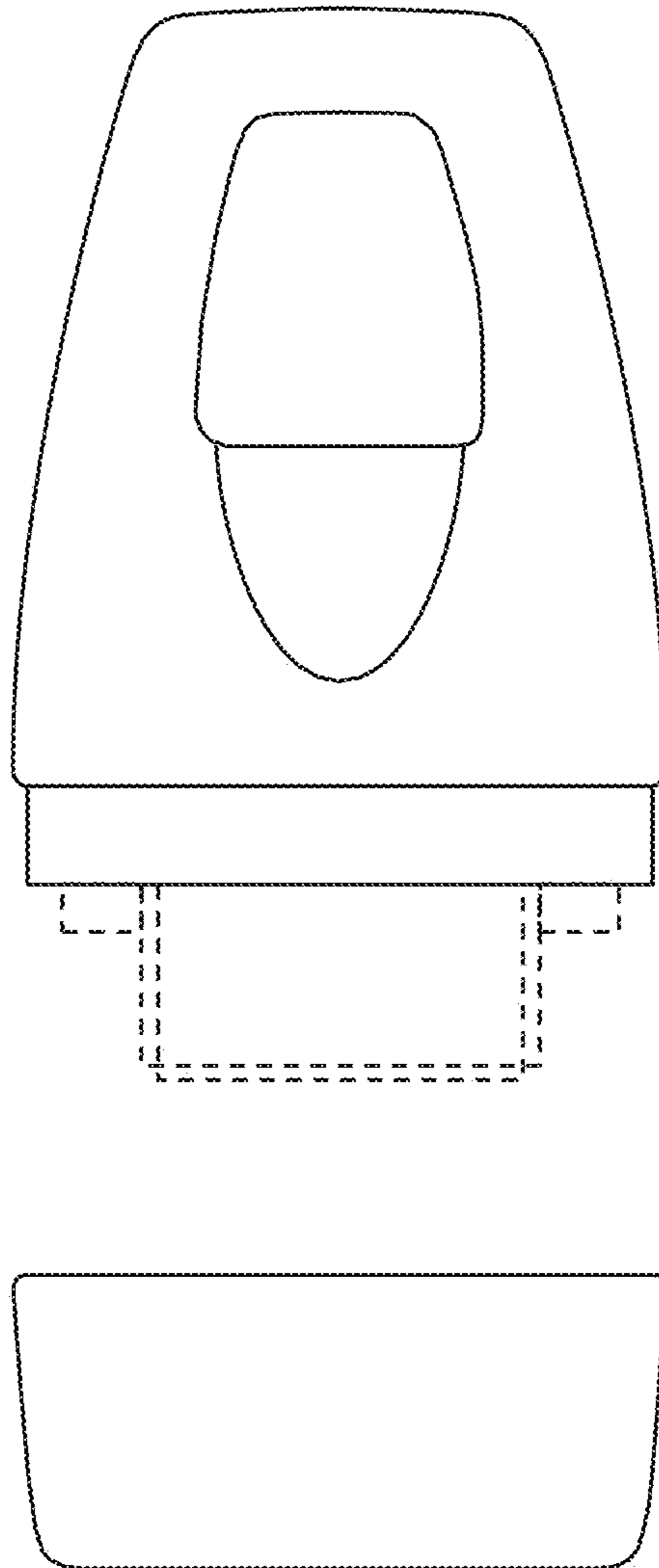


FIG. 6

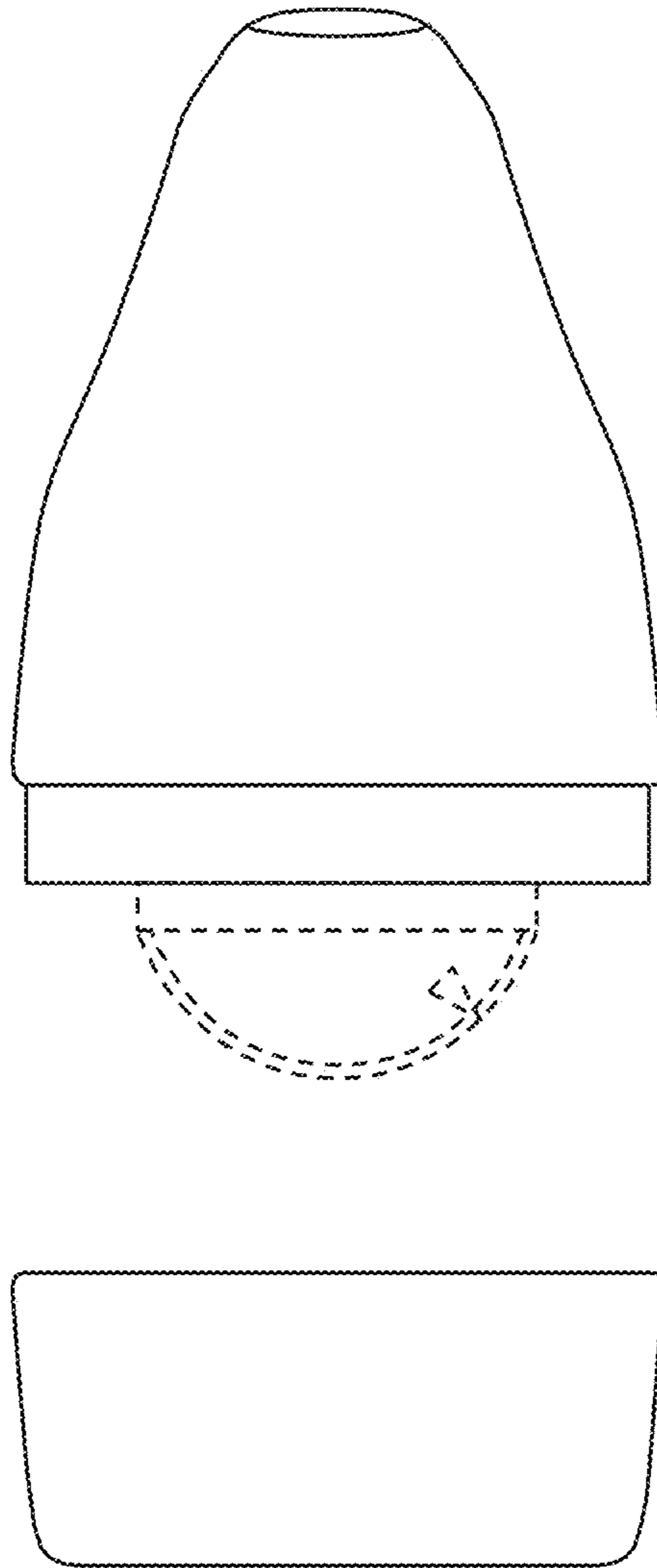


FIG. 7